
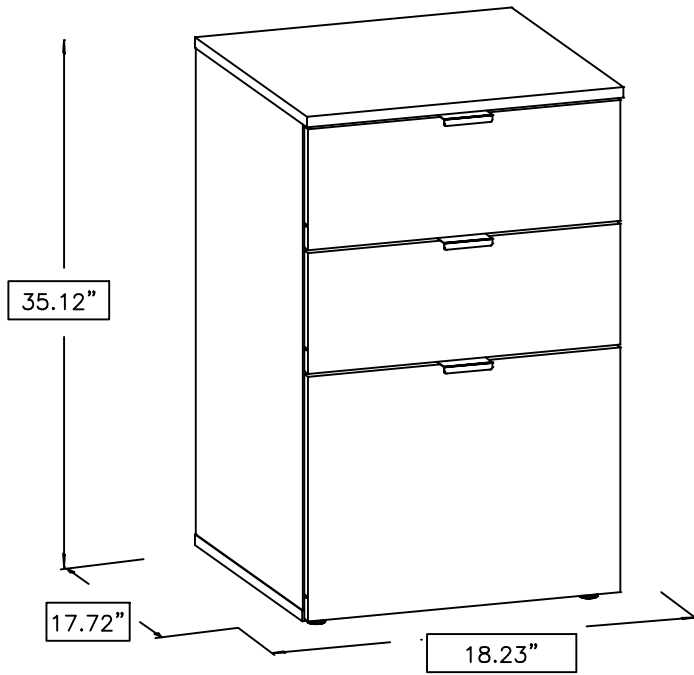
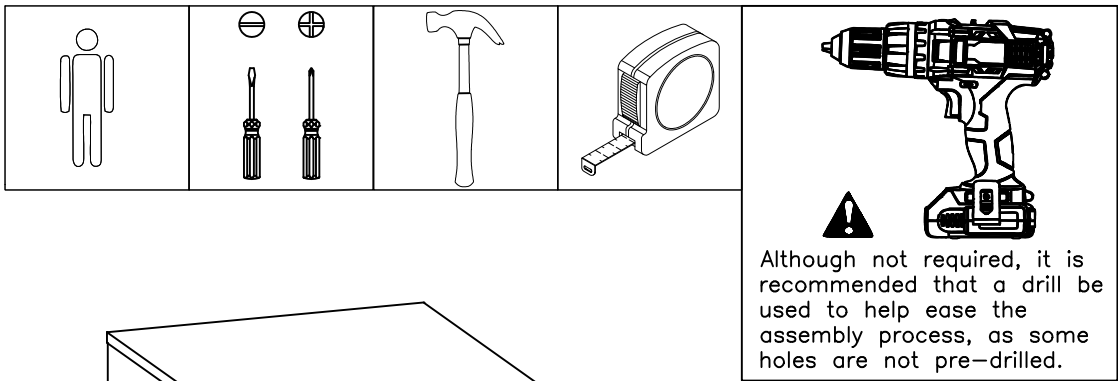


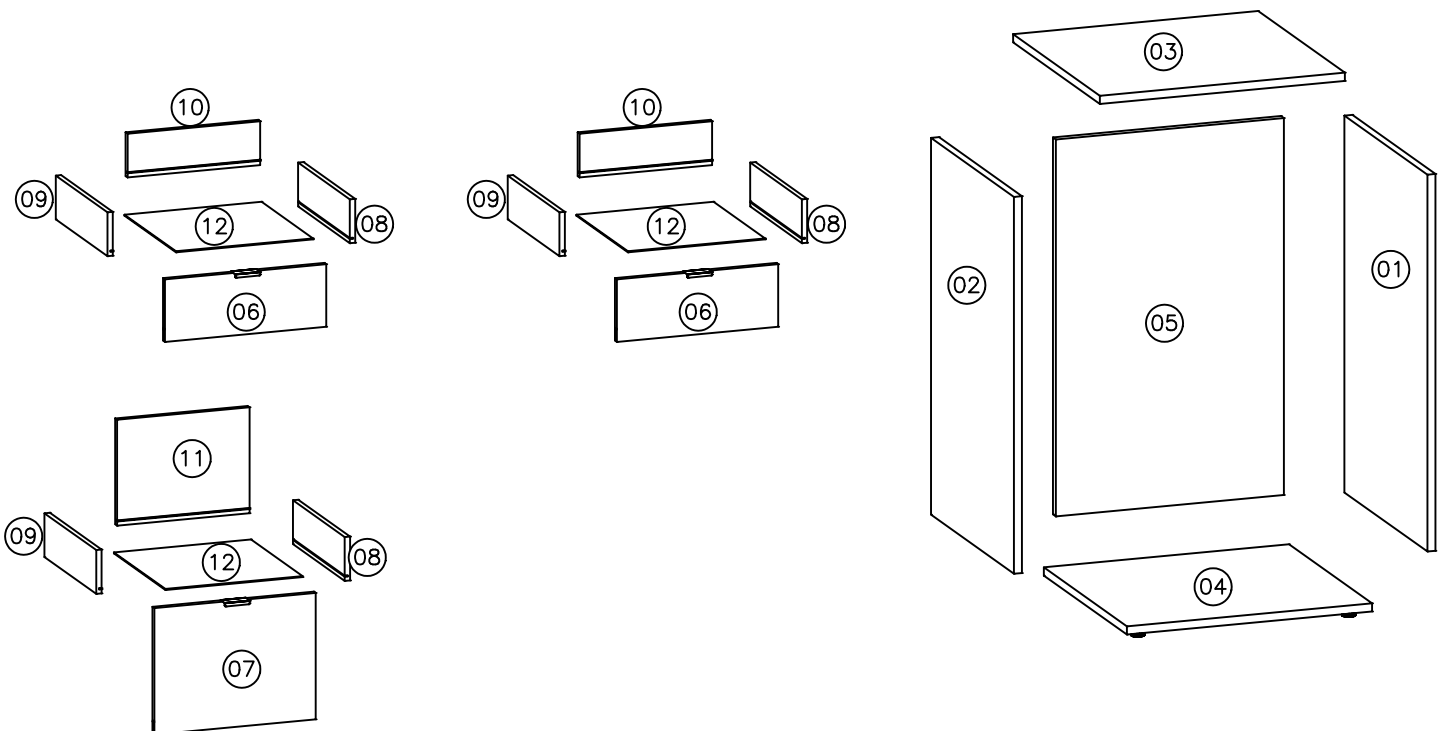
Assembly Instructions

ASSEMBLY INSTRUCTIONS

 Warning – CHOKING HAZARD – Small Parts Not for children under 3 years. Adult assembly required.

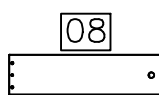
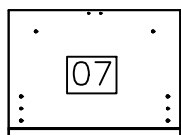
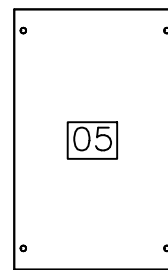
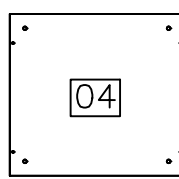
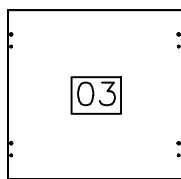
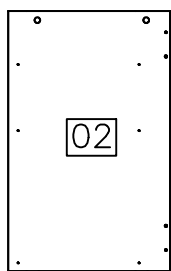
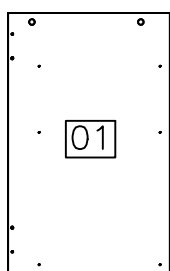


Part Identification

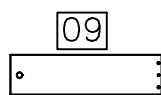


List of pieces

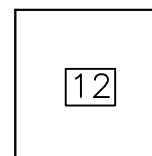
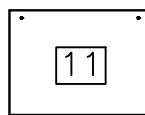
Code	Description	Descrição (Internal production data)	Amount	Length (in.)	Width (in.)	Thickness (in.)	Box
01	Right Side Panel	Lateral direita	1	27.09"	16.85"	.59"	A
02	Left Side Panel	Lateral esquerda	1	27.09"	16.85"	.59"	A
03	Top	Tampo	1	18.11"	18.66"	.59"	A
04	Bottom/Base	Base	1	18.11"	16.85"	.59"	A
05	Back Panel	Costa	1	16.85"	27.09"	.59"	A
06	Larger Front of Drawer—Small	Frente de gaveta menor	2	17.87"	6.73"	.59"	A
07	Larger Front of Drawer—Larger	Frente de gaveta maior	1	17.87"	13.62"	.59"	A
08	Right Side of Drawer	Lateral de gaveta direita	3	15.75"	4.72"	.59"	A
09	Left Side of Drawer	Lateral de gaveta esquerda	3	15.75"	4.72"	.59"	A
10	Back of Drawer—Small	Cabeceira de gaveta menor	2	14.69"	4.72"	.59"	A
11	Back of Drawer—Larger	Cabeceira de gaveta maior	1	14.69"	11.42"	.59"	A
12	Base of Drawer	Fundo de gaveta	3	15.20"	15.67"	.12"	A



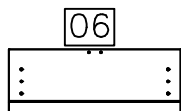
3x



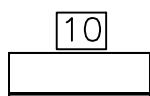
3x



3x



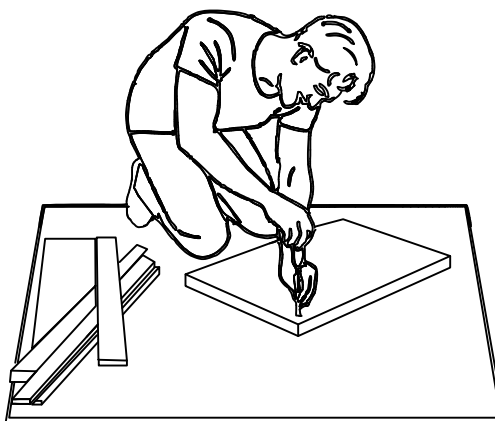
2x

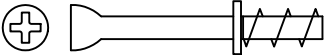
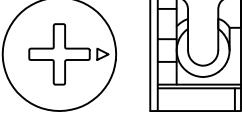




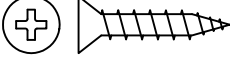
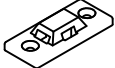

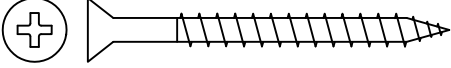

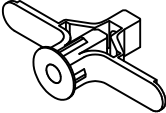


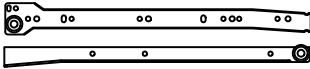
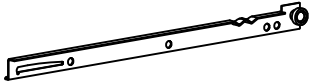
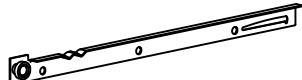
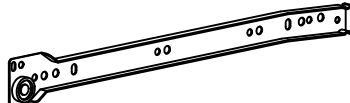
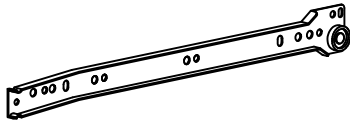
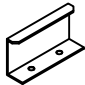
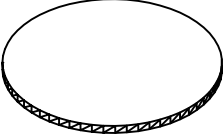
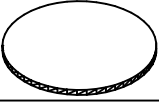
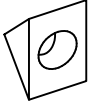

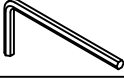

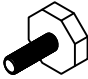
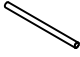
2x



We Recommend you use the Box that your furniture came in as the base for your work space. This can help prevent and unnecessary damages from occurring.



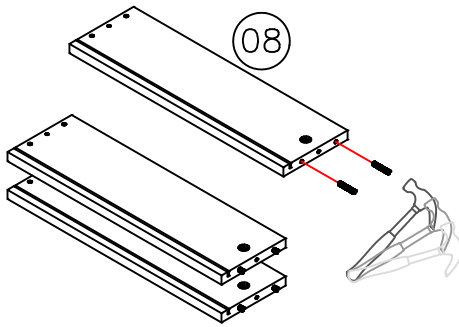
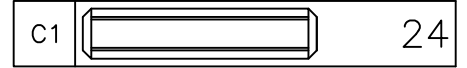
Hardware			
	Code	Description	Amou.
PM	30945	 Cam Screws	14
TM	30950	 Cam Locks	14
PE18	75515	 Screw 5x40	10
C1	1802	 Dowel 6x30mm	36
PC3	4214	 Screw 3,5x14	24
PF2	25827	 Screw 3,5x14	6
PC5	5256	 Screw 4x20	6
Anti-tipping installation			
<p>Warning: For Measures of Safety, it is recommended that this item be fixed to the wall, to avoid overturning, if this happens it can cause serious or fatal injuries.</p> <p>ATENCION: Por medidas de seguridad se recomienda fijar el mueble a la pared para evitar Volcamiento del mismo, si esto llegase a ocurrir puede causar lesiones graves o fatales.</p>			
SF	55606	 Mounting bracket	2
ANY	55607	 Clamp	1
PC10	51980	 Screw 4,5x50	2
PF4	1178	 Screw 3,5x16 BC	2
BG	32069	 Adapter sleeve	2

CM4	5288		400mm metal slide set	3
CM4A			Right Drawer slide	
CM4B			Left drawer slide	
CM4C			Metallic slide for left sided panel	
CM4D			Metallic slide for right sided panel	
PX	BR=59291 (Branco) EB=59292 (Preto)		Handle 70mm	3
TP1	BR=44156 (Branco K1) EB=50493 (Ebano Grigio)		Screw cap cover 19mm	14
TP2	BR=44157 (Branco K1) EB=9399 (Ebano Grigio)		Screw cap cover 13mm	10
S5	18458		Black triangular support	6
CZ3	58788		Allen key	1
CZ2	10109		Allen key 6mm	1
BA	10102		Screw bushing	4
SA	10101		Adjustable shoe	4
H	55879		Stem (Par)	1

1A

Drawer Preassembly

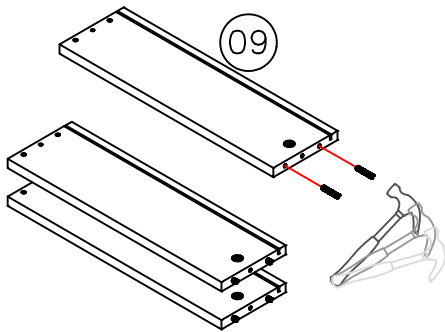
This process is repeated three (x3)



1B

Drawer Preassembly

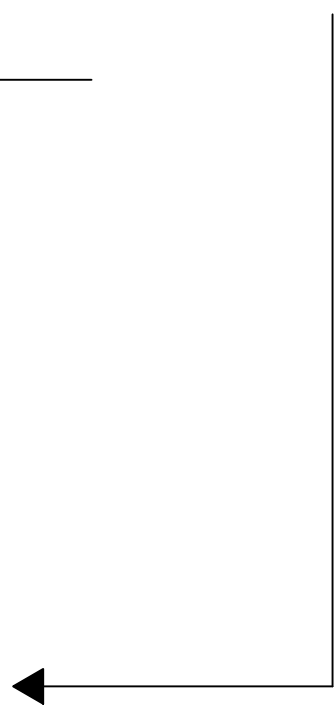
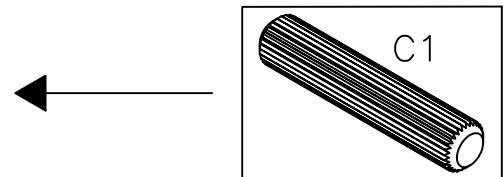
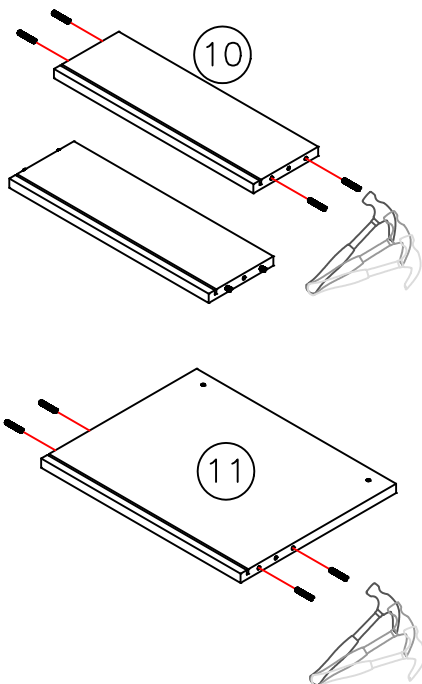
This process is repeated three (x3)



1C

Drawer Preassembly

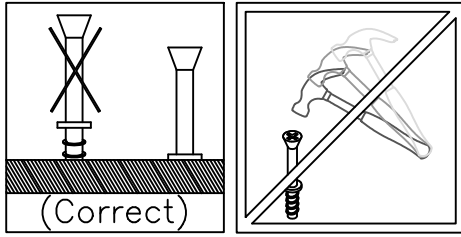
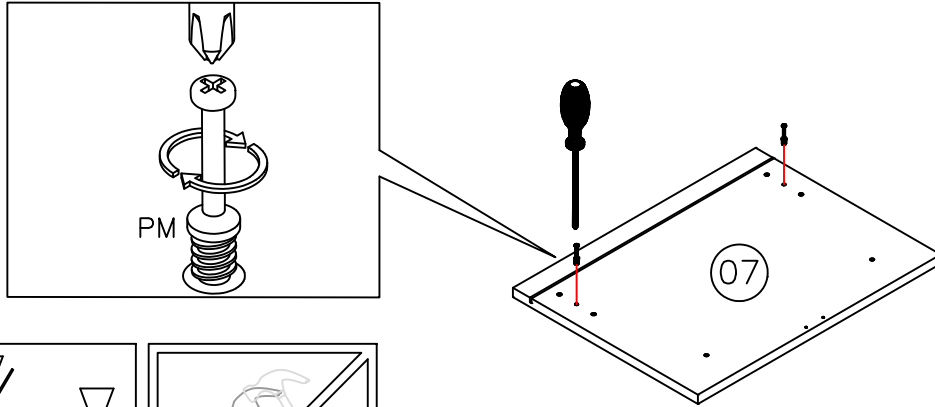
This process is repeated three (x3)



1D

Drawer Preassembly

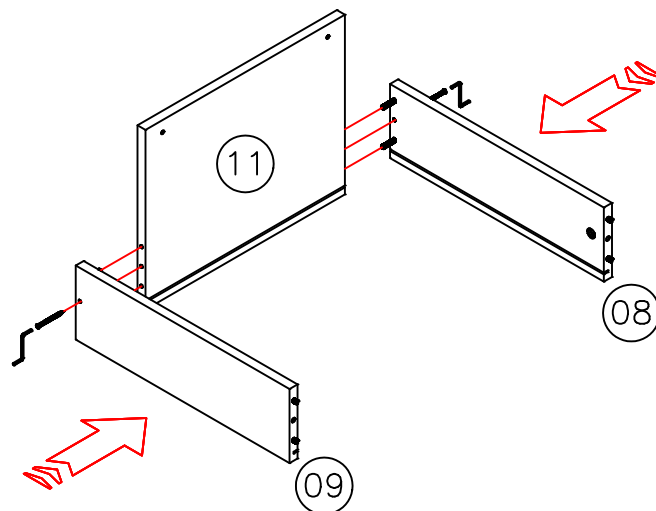
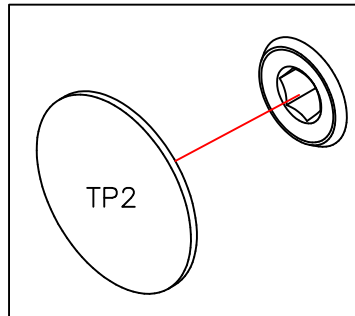
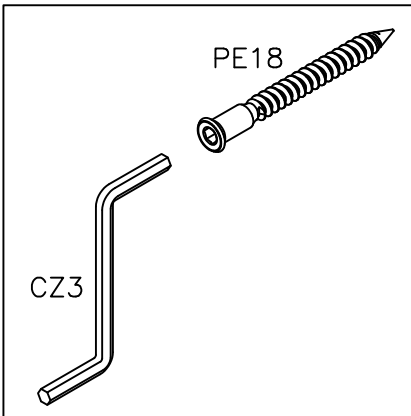
PM			2
----	--	--	---



2

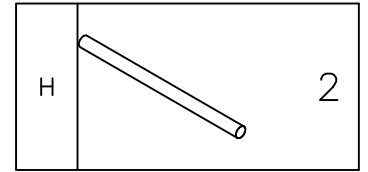
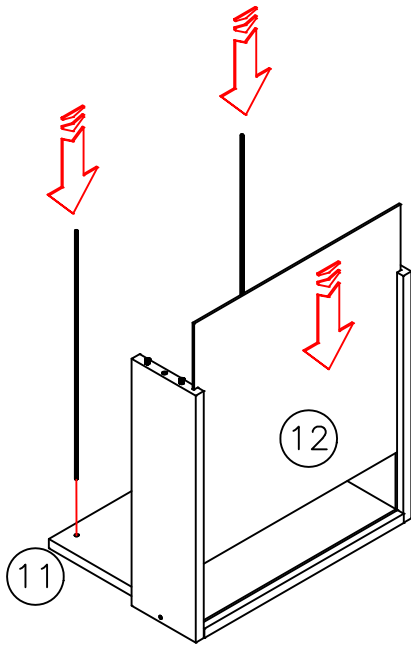
Drawers Mounting

PE18		2
CZ3		1
TP2		2



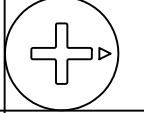
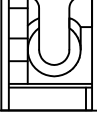
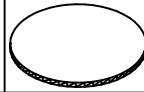
3

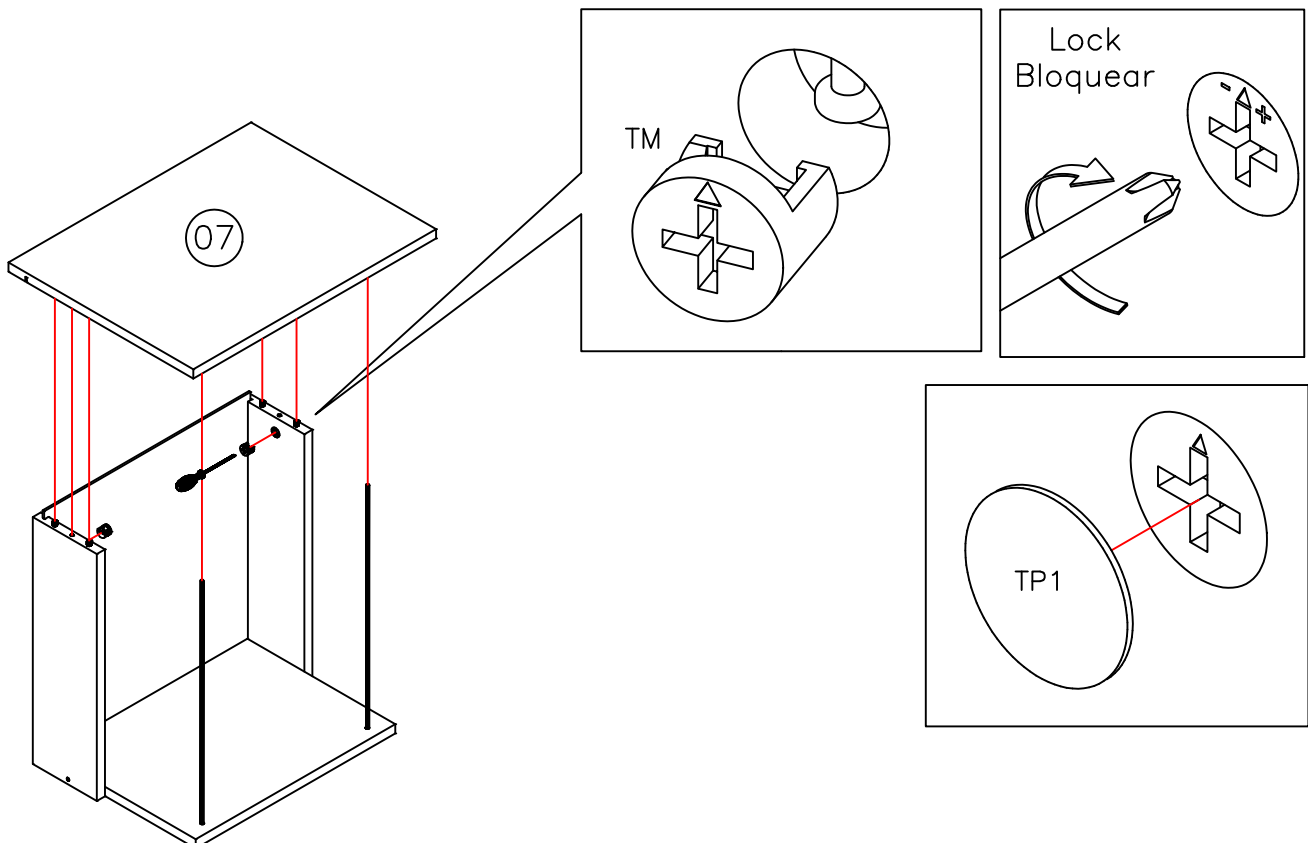
Drawers Mounting



4


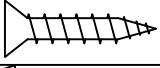
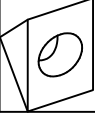
Drawers Mounting

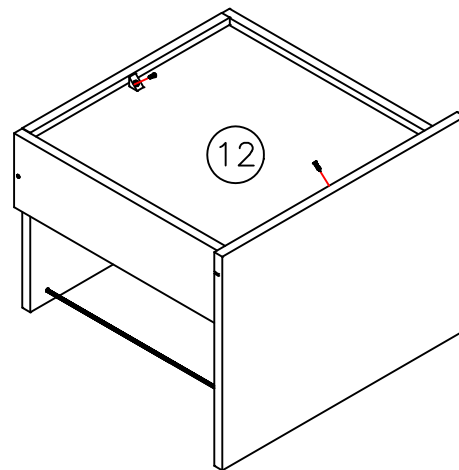
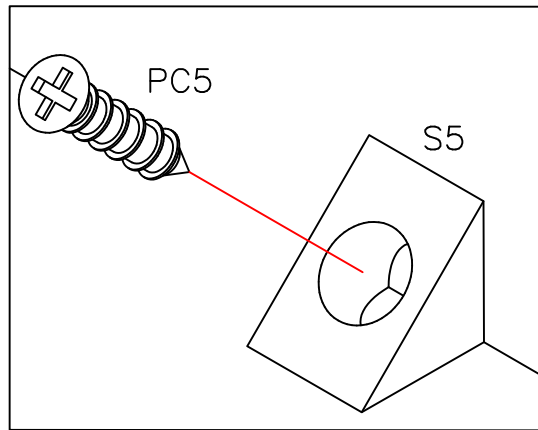
TM			2
TP1			2






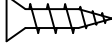
5

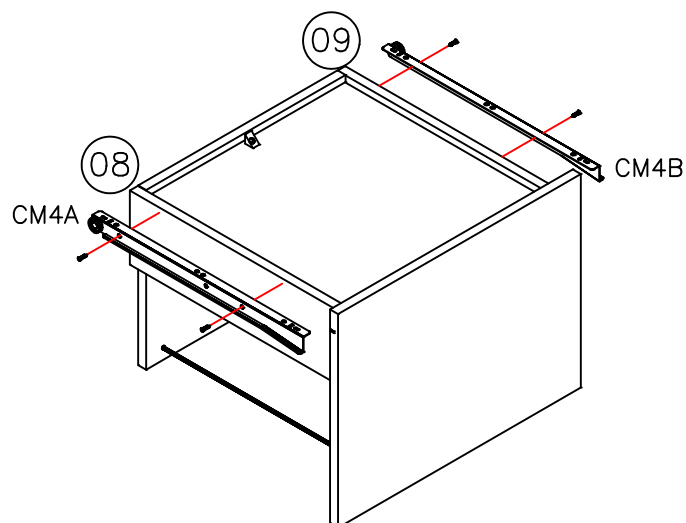
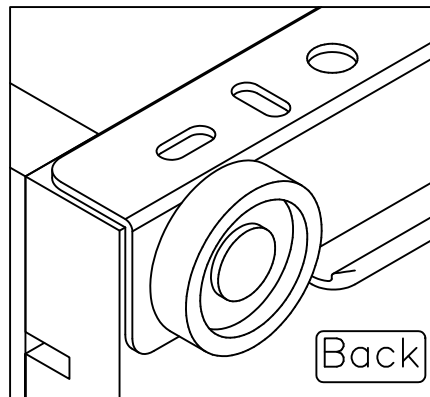
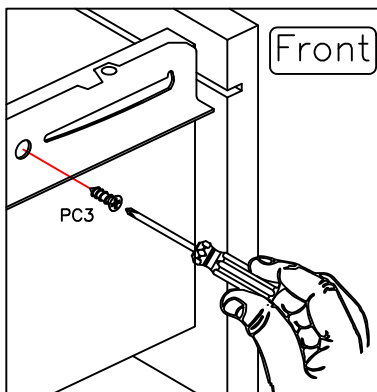
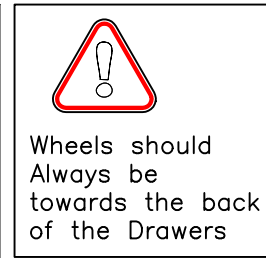
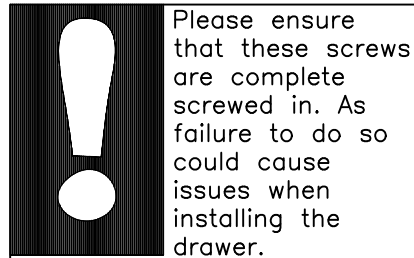
Drawers Mounting

PC5			2
S5			2

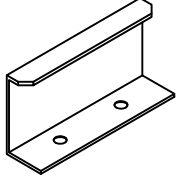
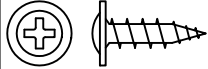


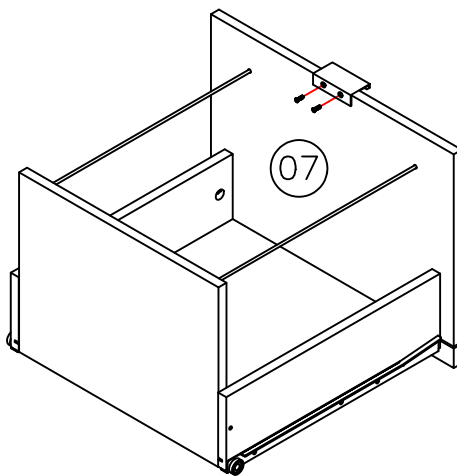
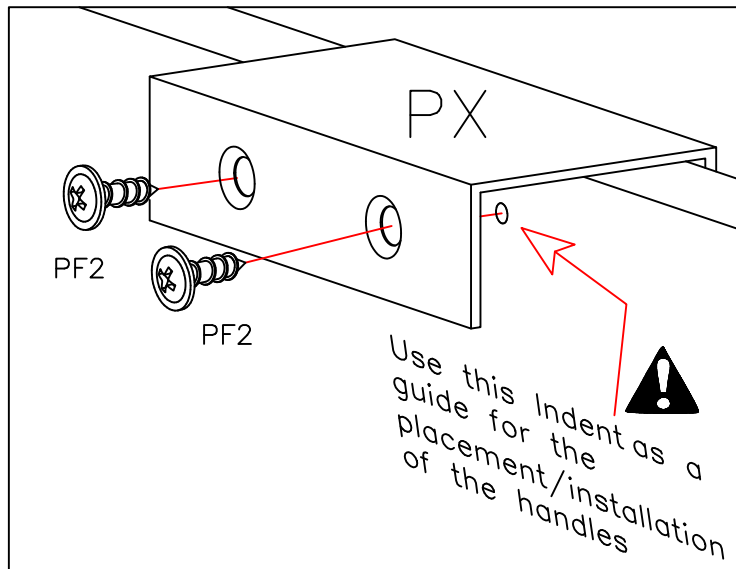
Drawers Mounting

CM4A		1
CM4B		1
PC3	 	4



Drawer final assembly

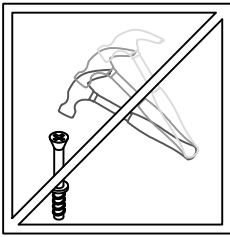
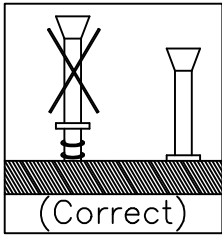
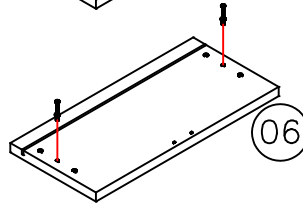
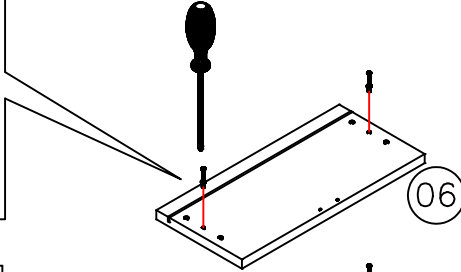
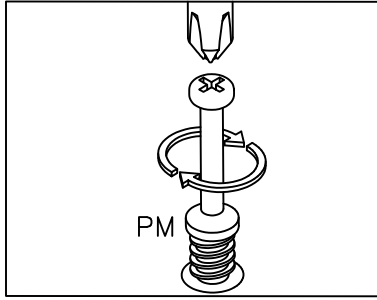
PX		1
PF2		2



8

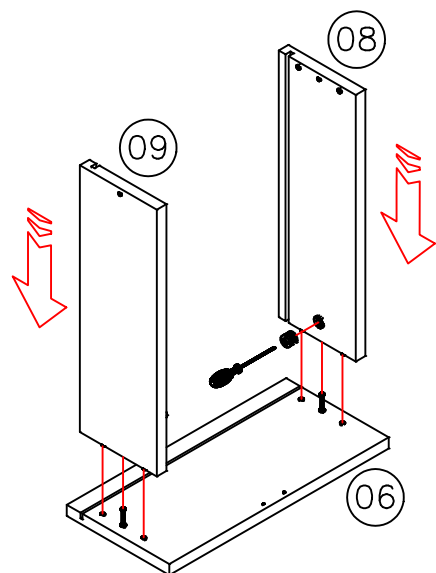
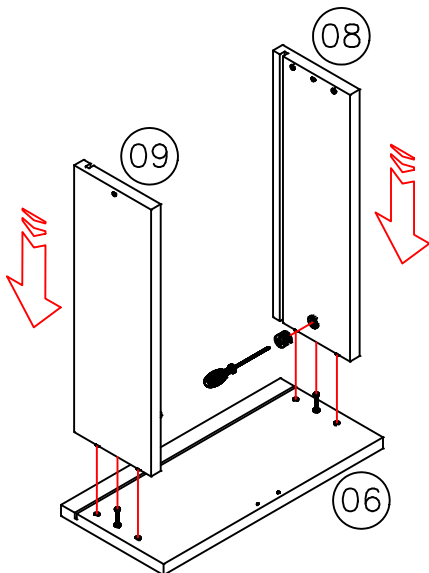
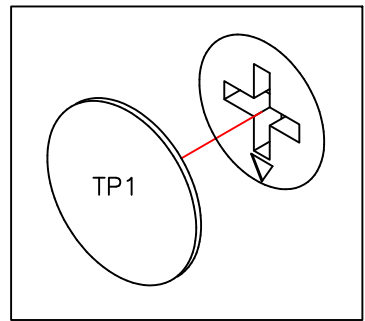
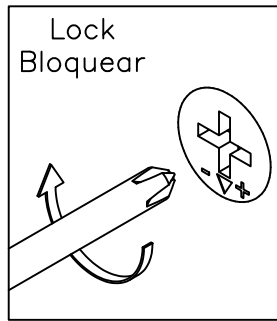
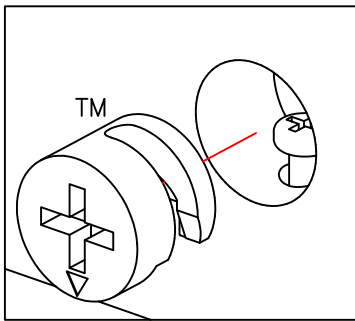
Drawer Preassembly

PM			4
----	--	--	---



9

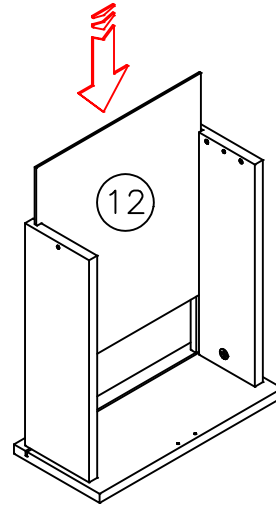
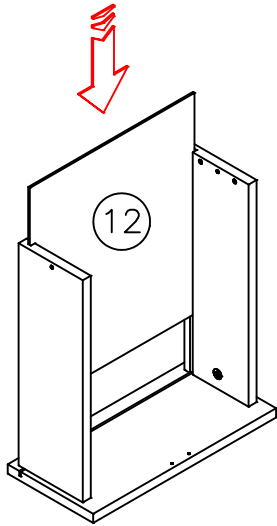
TM			4
TP1			4



10

Drawers Mounting

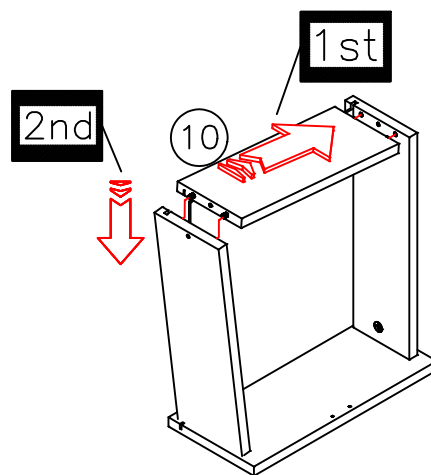
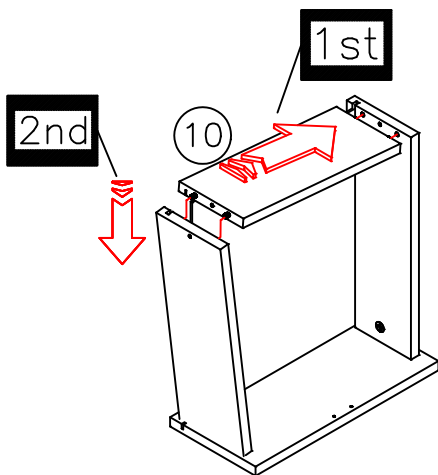
This process is repeated twice (x2)



11

Drawers Mounting

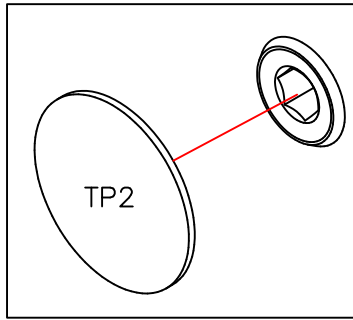
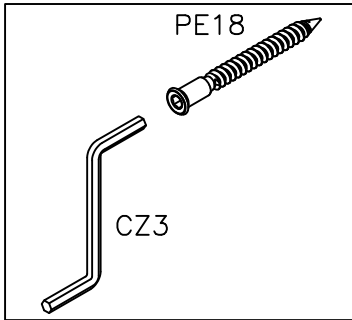
This process is repeated twice (x2)



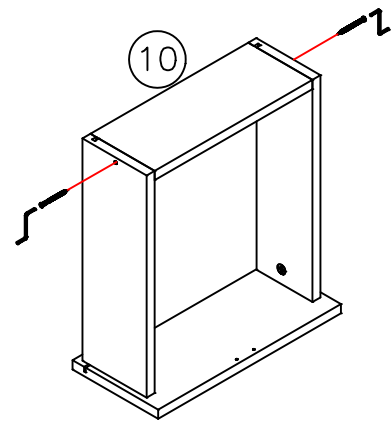
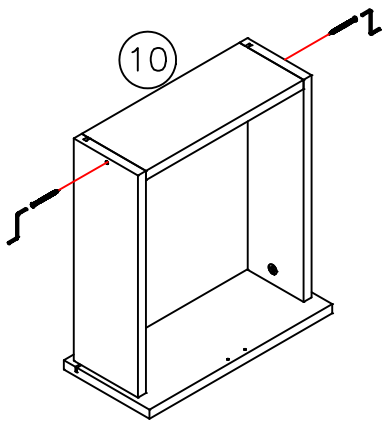
12

Drawers Mounting

This process is repeated twice (x2)



PE18		4
CZ3		1
TP2		4

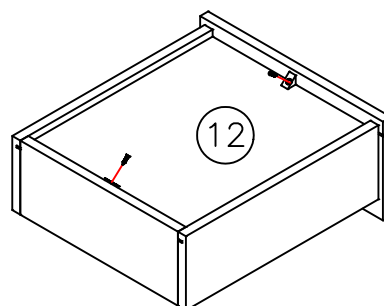
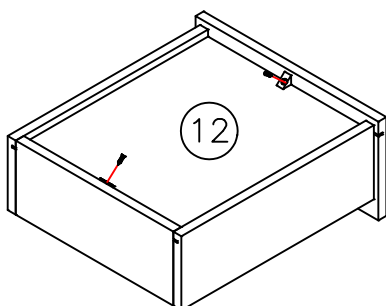
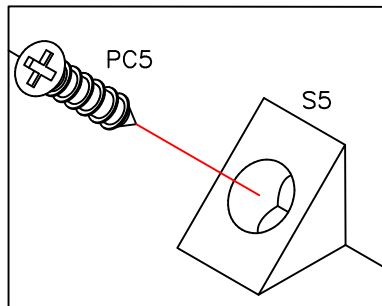


13

Drawers Mounting




This process is repeated twice (x2)

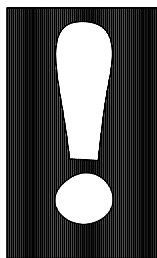
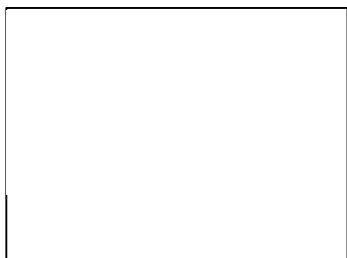
PC5		4
S5		4




Drawers Mounting

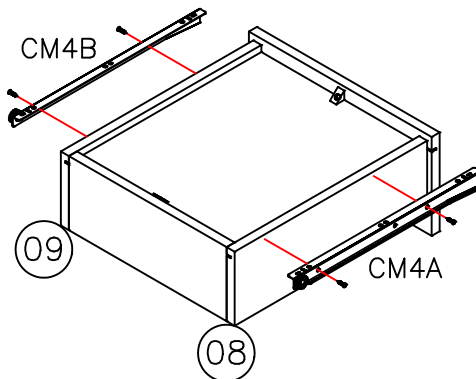
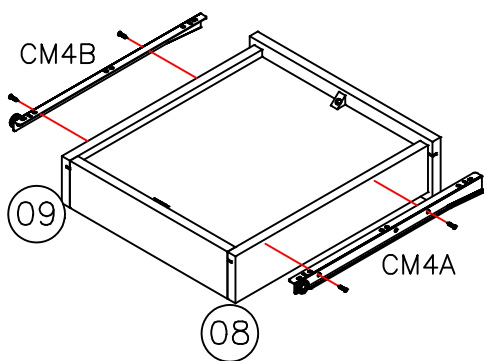
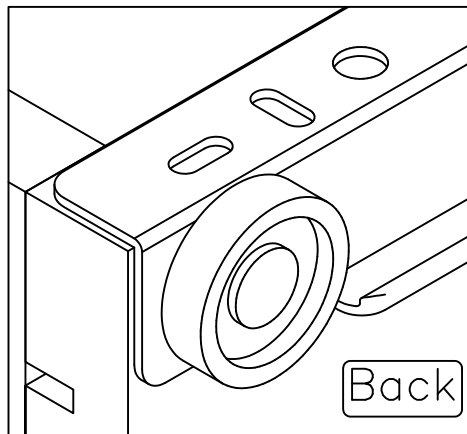
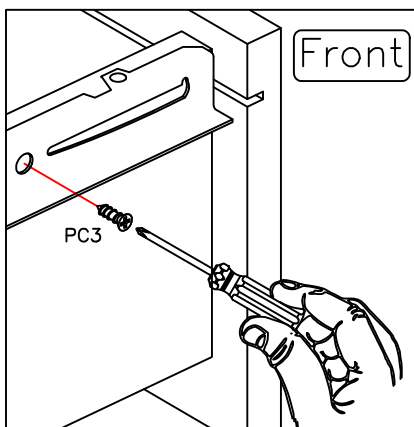
This process is repeated twice (x2)

CM4A		2
CM4B		2
PC3		8



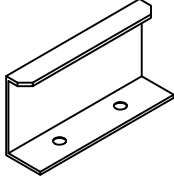
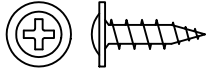
Please ensure that these screws are complete screwed in. As failure to do so could cause issues when installing the drawer.

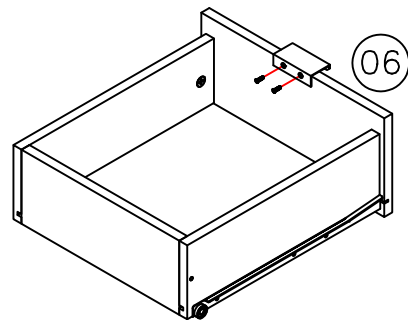
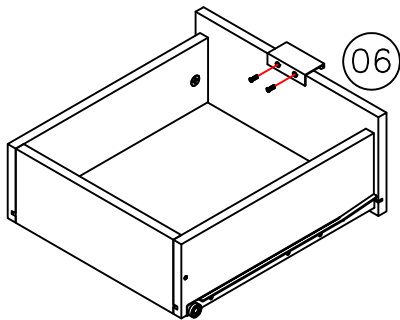
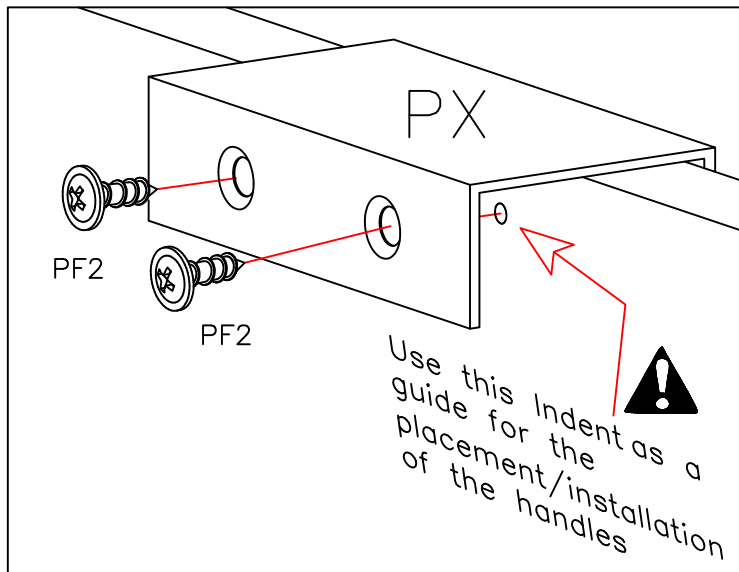

Wheels should Always be towards the back of the Drawers




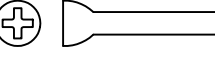
Drawer final assembly

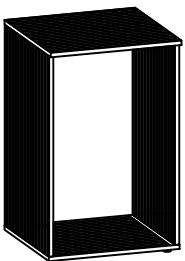
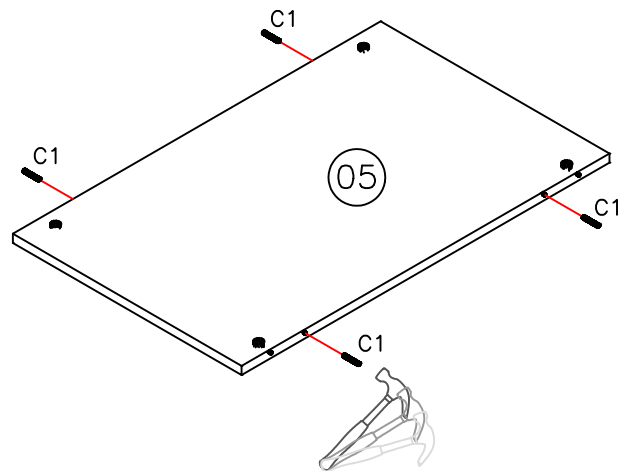
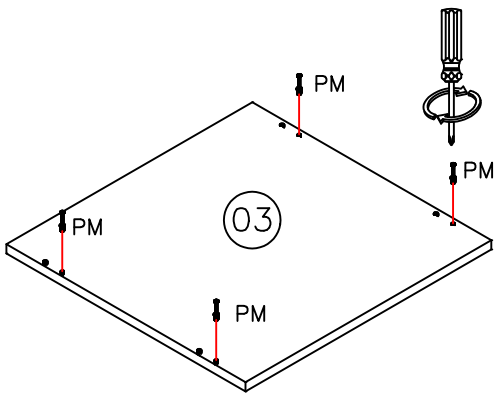
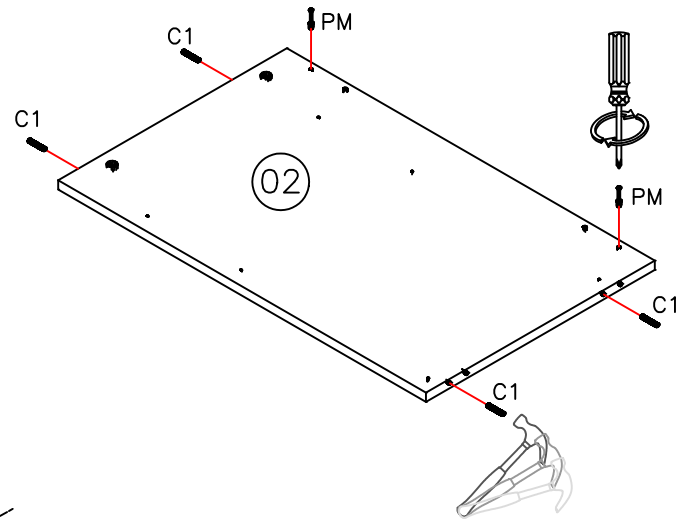
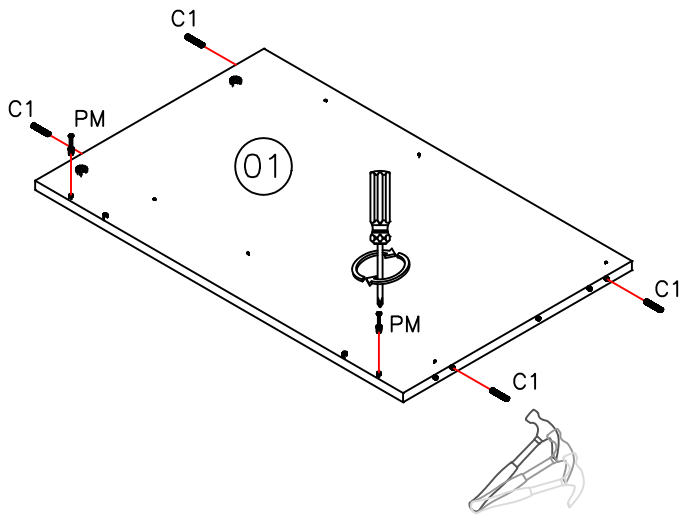
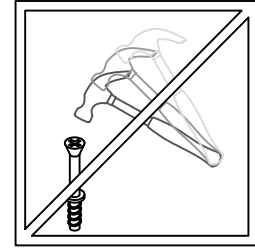
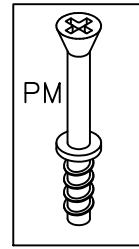
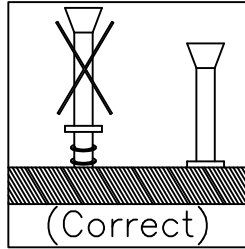
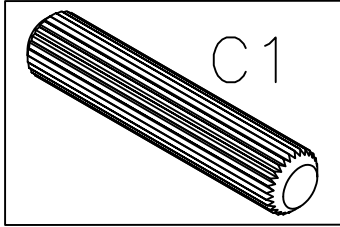
This process is repeated twice (x2)

PX		2
PF2		4



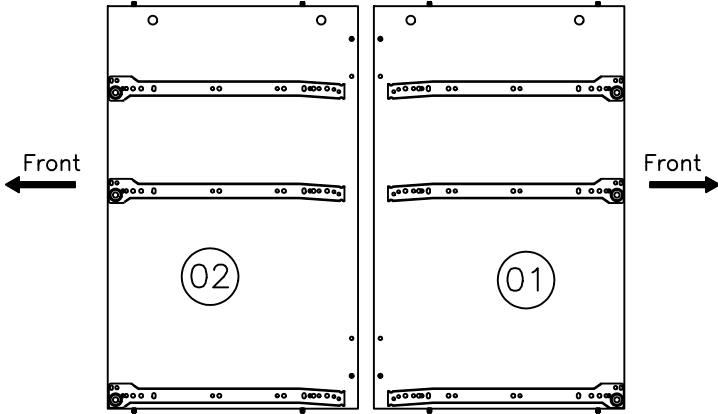
Preassembly of parts

C1		12
PM		8



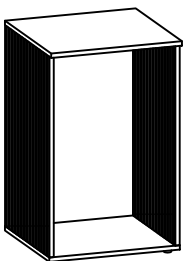
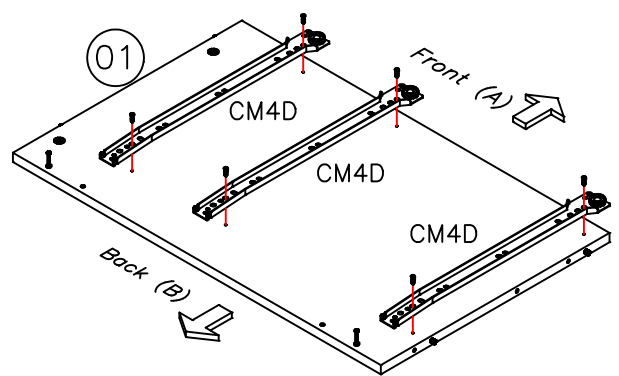
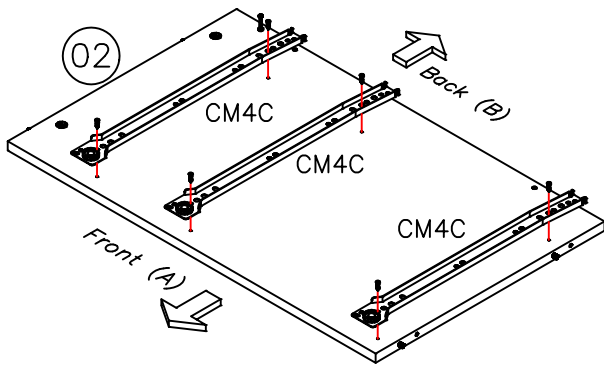
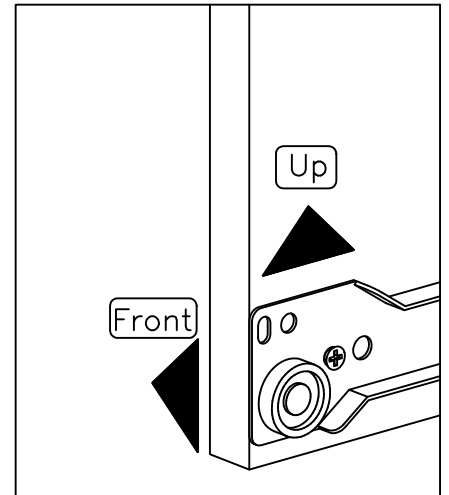
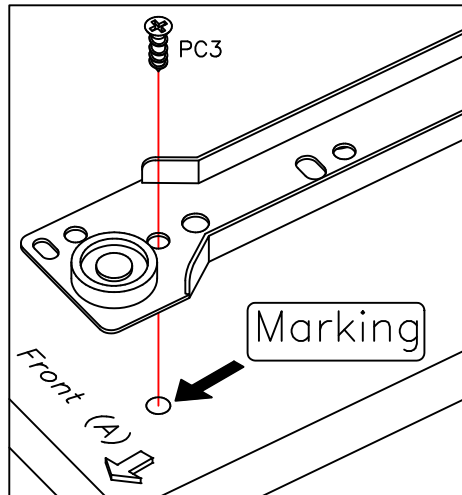
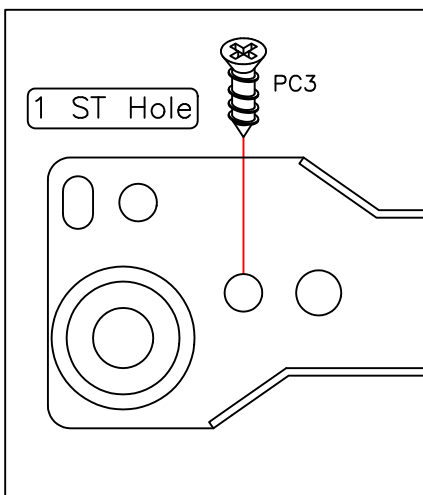
17


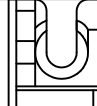

Top view of the finished part

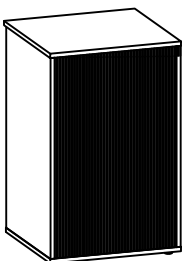
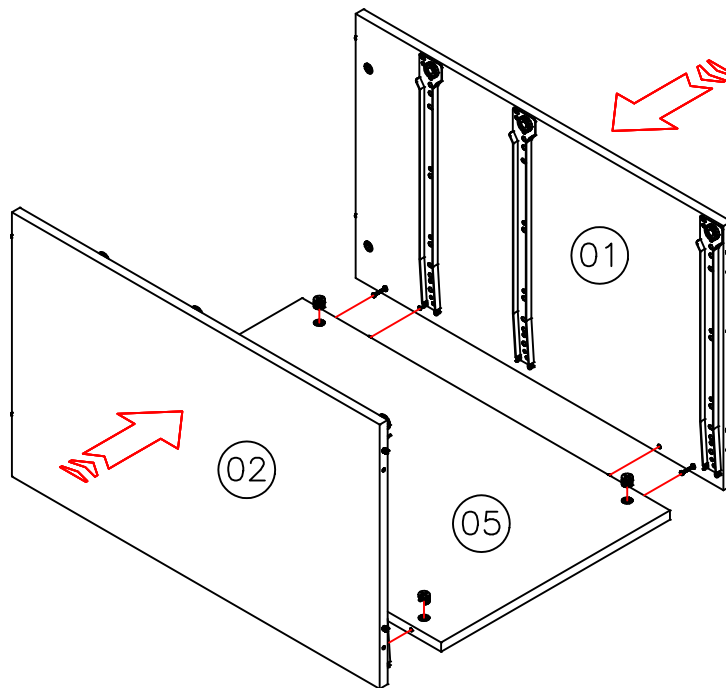
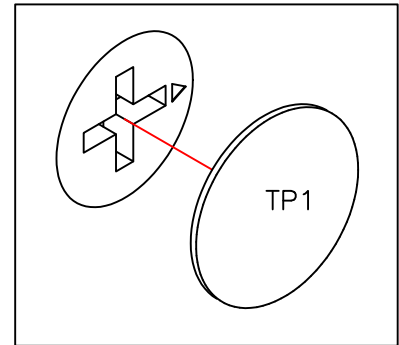
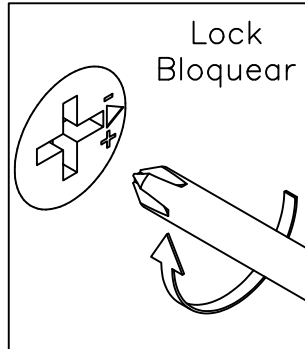
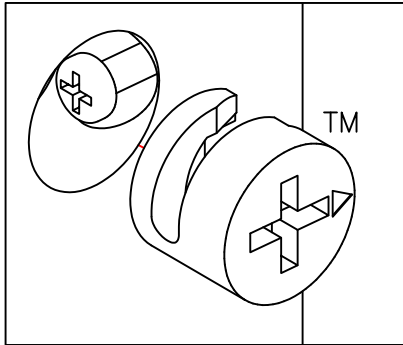


PC3		12
CM4C		3
CM4D		3

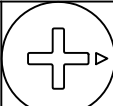
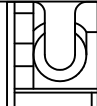

Detailed view of CORRECT hole location in the rail for the "PC3" Screw

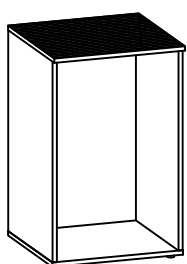
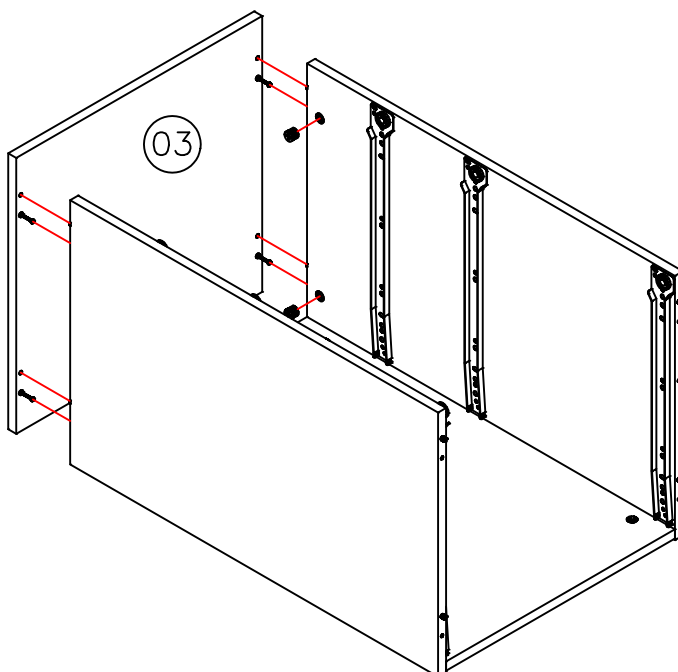
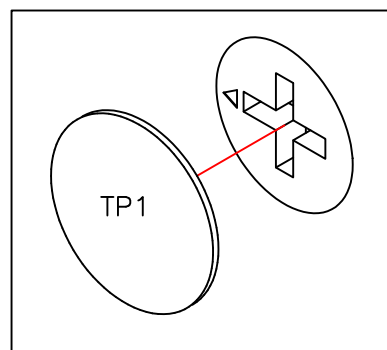
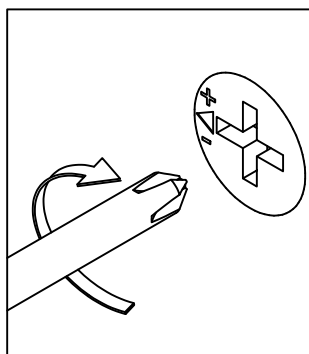
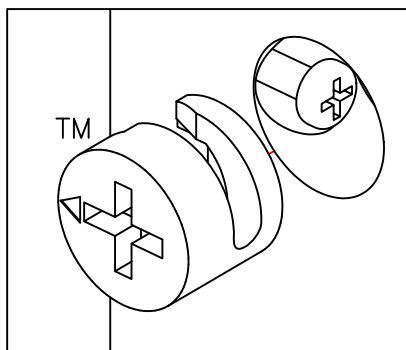


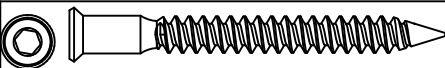


TM			4
TP1			4

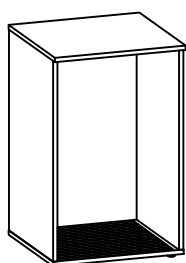
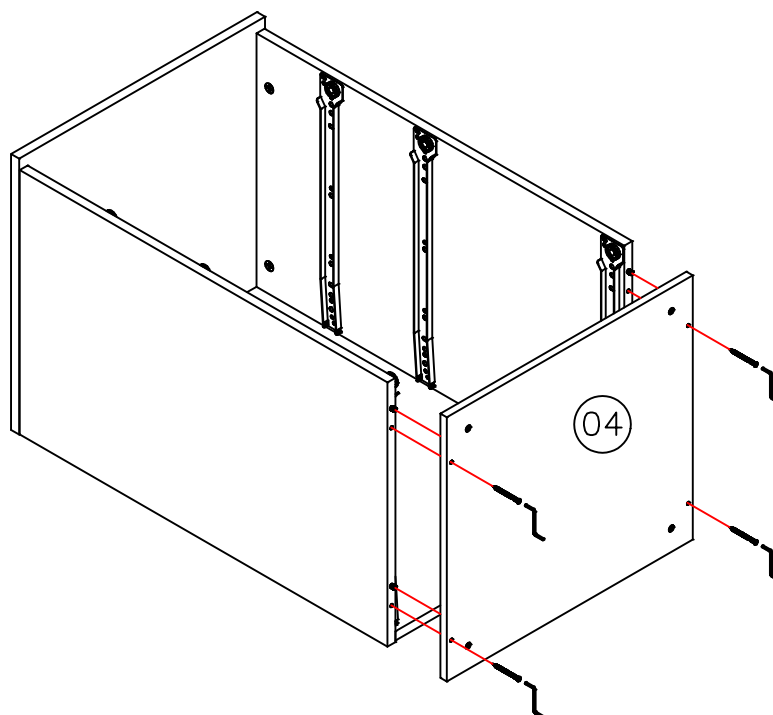
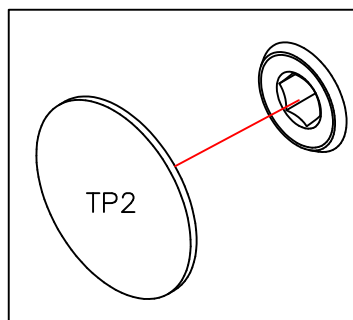
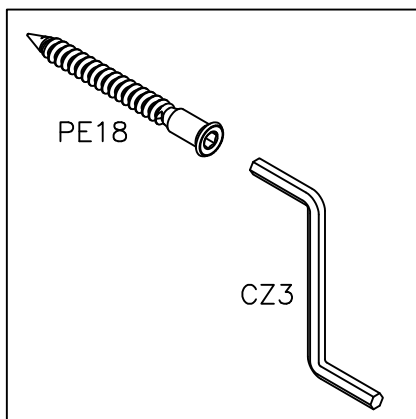


Product Assembly

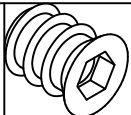

TM			4
TP1			4

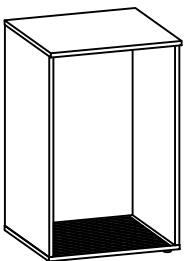
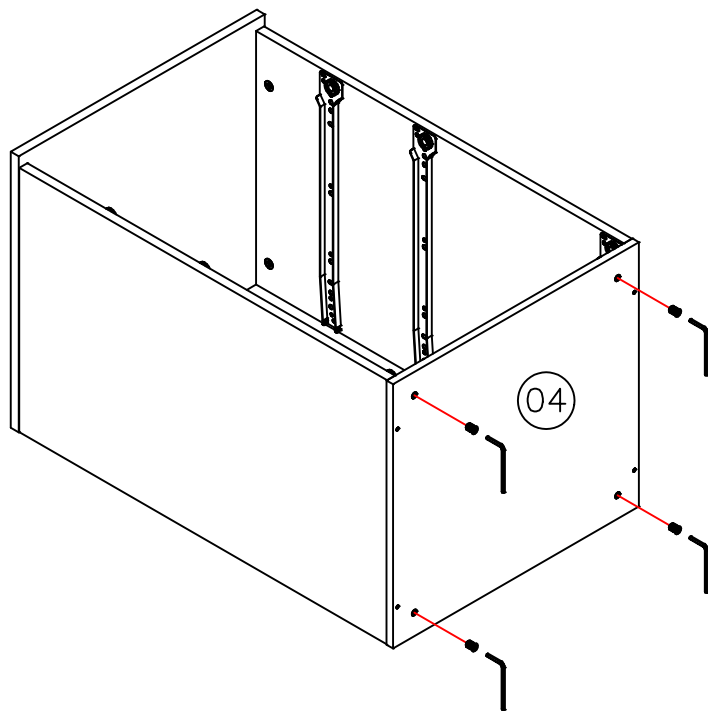
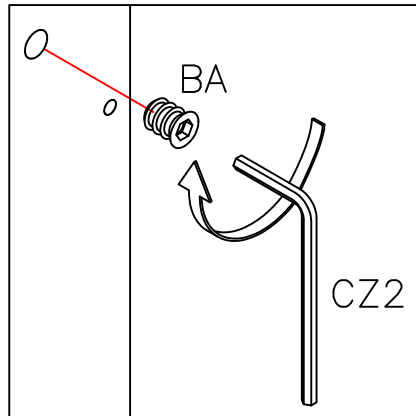


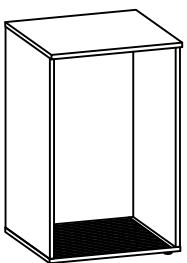
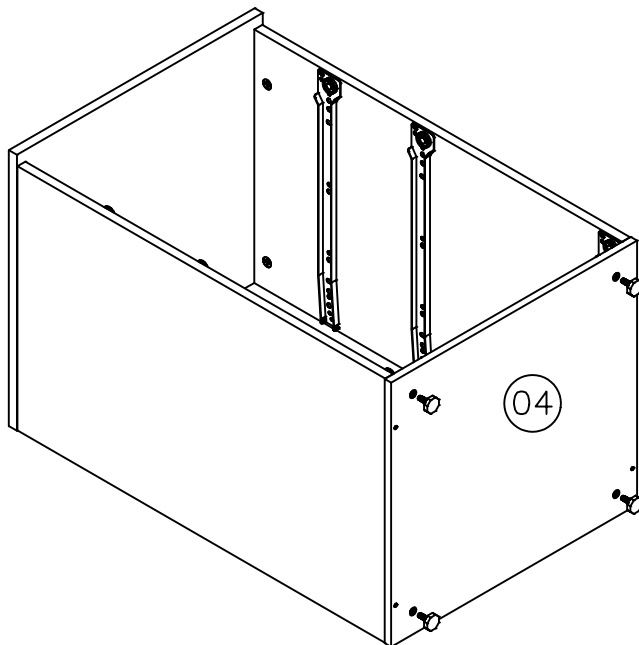
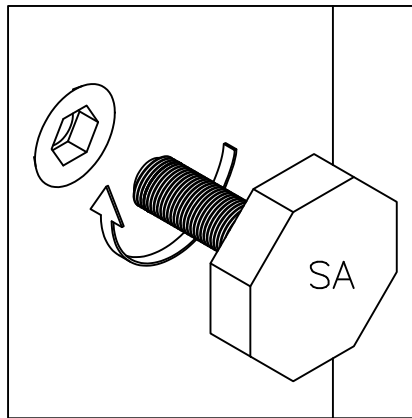
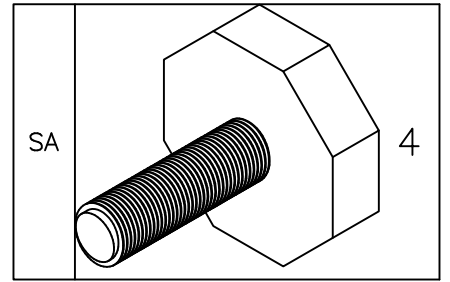
PE18		4
CZ3		1
TP2		4



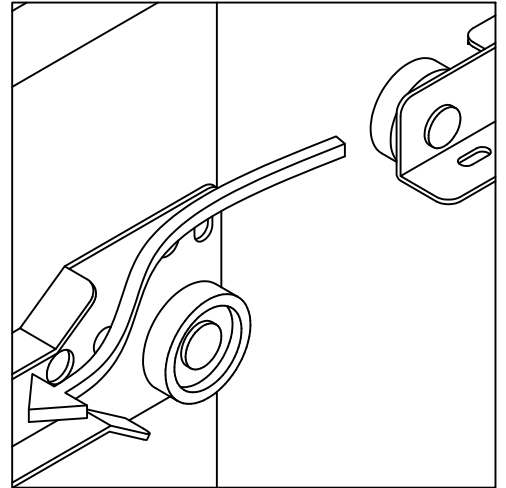
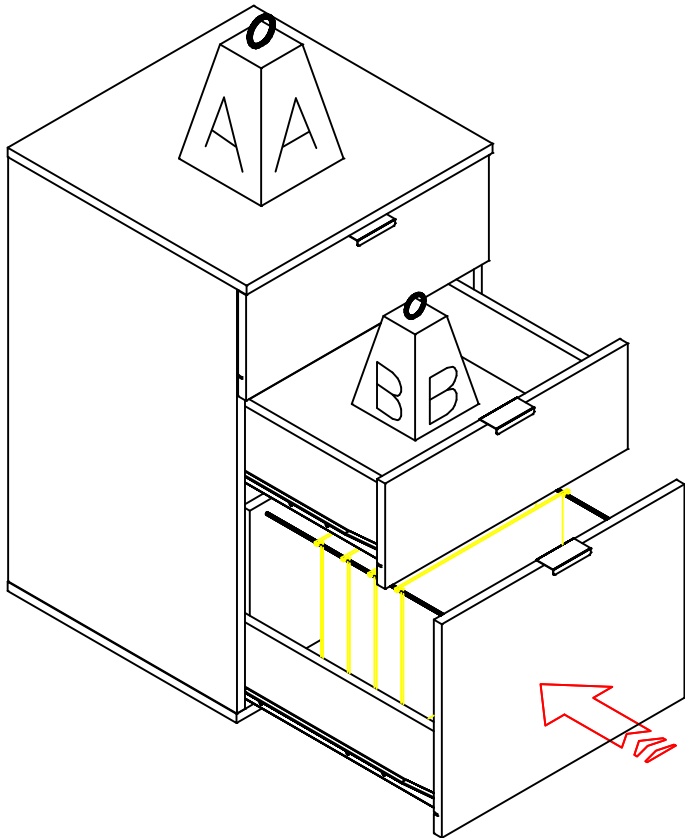
Product Assembly

BA		4
CZ2		1

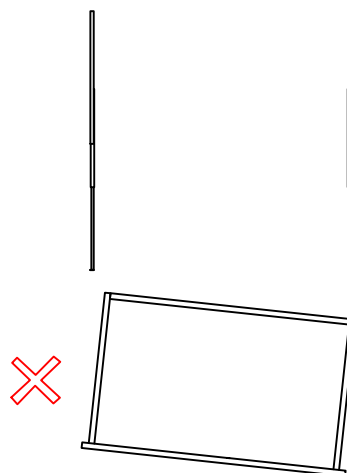
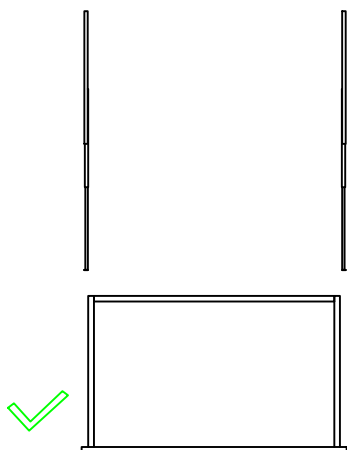




 **Drawer installation**
 Insert the slide into the profile and close the drawer to finish locking the clip.

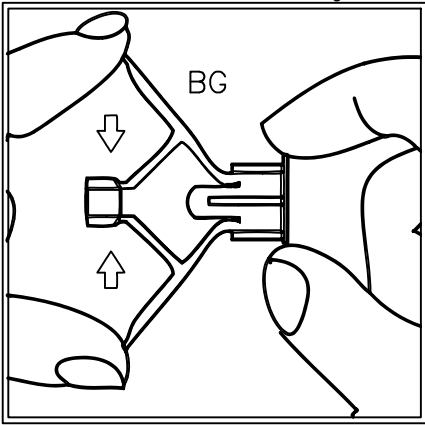


	Kg	lb
A	35	77.16lb
B	6	13.23lb

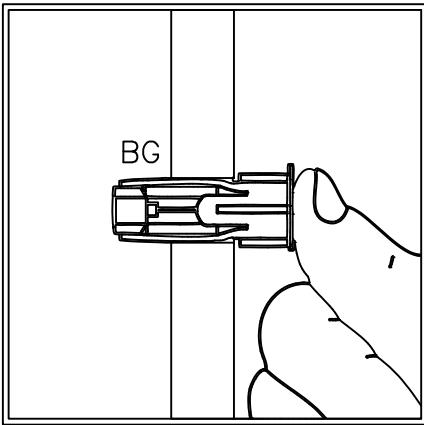


NOTE: Do not turn the DRYWALL ANCHOR into a wall stud. If you prefer to fasten the SAFETY ANTI-TIPPING to a wall stud, go to your local hardware store for proper hardware.

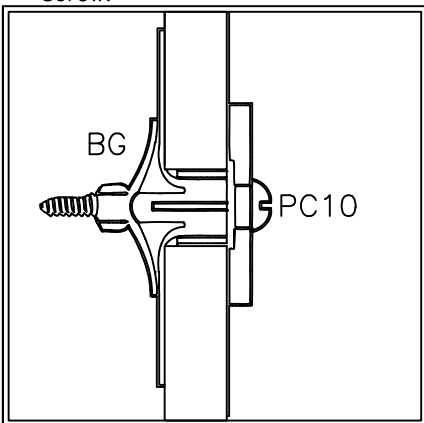
Compress the wings of anchor before inserting.



Insert the chuck into the hole of the base material.



Position the object over the bushing and secure it with a screw.



A WARNING -Anti-Tip Advisory

Potential of serious fatal crushing injuries may occur from furniture tip-over. To help prevent tip-over:

ALWAYS INSTALL the tip-over restrain that came with your furniture. This tip-over restrains only reduces but does NOT completely eliminate the risk of tip-over

- ALWAYS Place the heaviest items in the lowest/bottom drawer.
- NEVER place heavy objects on top of this product.
- NEVER allow children to scale/climb/hang on the drawers, doors, or shelves.
- NEVER open more than one drawer at a time.

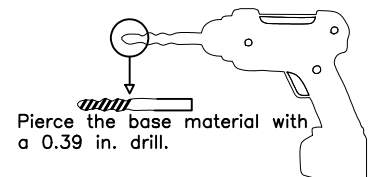
B ADVERTENCIA - Aviso antivuelco

Pueden producirse lesiones graves por aplastamiento mortales debido al vuelco de los muebles. Para ayudar a prevenir vuelcos:

- SIEMPRE INSTALE el sistema de retención que viene con sus muebles. Este sistema antivuelco solo reduce pero NO elimina por completo el riesgo de vuelco.
- SIEMPRE coloque los artículos más pesados en el cajón más bajo /inferior.
- NUNCA coloque objetos pesados encima de este producto.
- NUNCA permita que los niños escalen, trepen o se cuelguen de los cajones, puertas o estantes.
- NUNCA abra más de un cajón a la vez

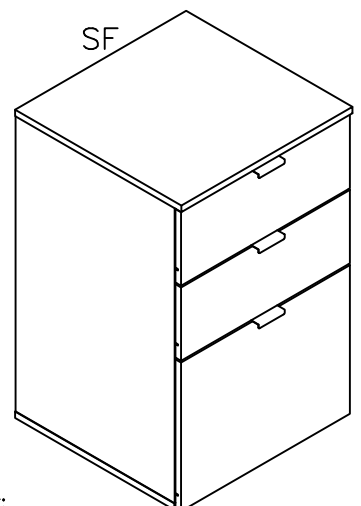
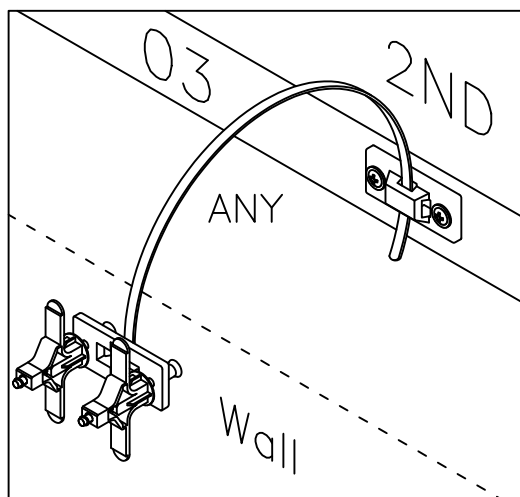
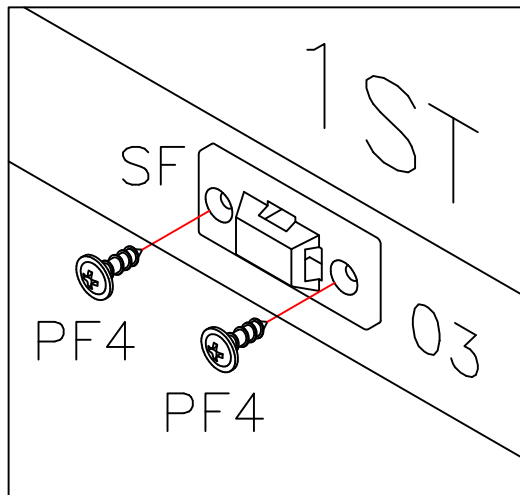
Anti-tipping installation

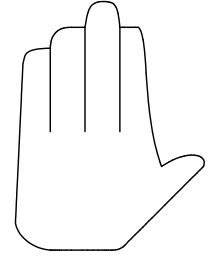
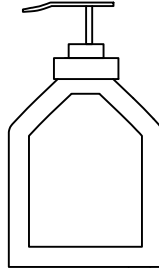
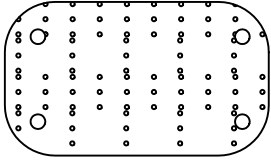
SF		Mounting bracket	2
ANY		Clamp	1
PC10		Screw 4,5x50	2
PF4		Screw 3,5x16 BC	2
BG		Anchor	2



Important

- The minimum length of the screw must be the bushing length + object thickness that will be fixed.
- To guarantee the wing expansion function of the bushing, after the screw head is at the object to be fixed, one must continue to rotate the screw until maximum torque is reached.





To Remove the printed number, apply a small amount of Glass Cleaner or Hand sanitizer and wipe with a paper towel.

