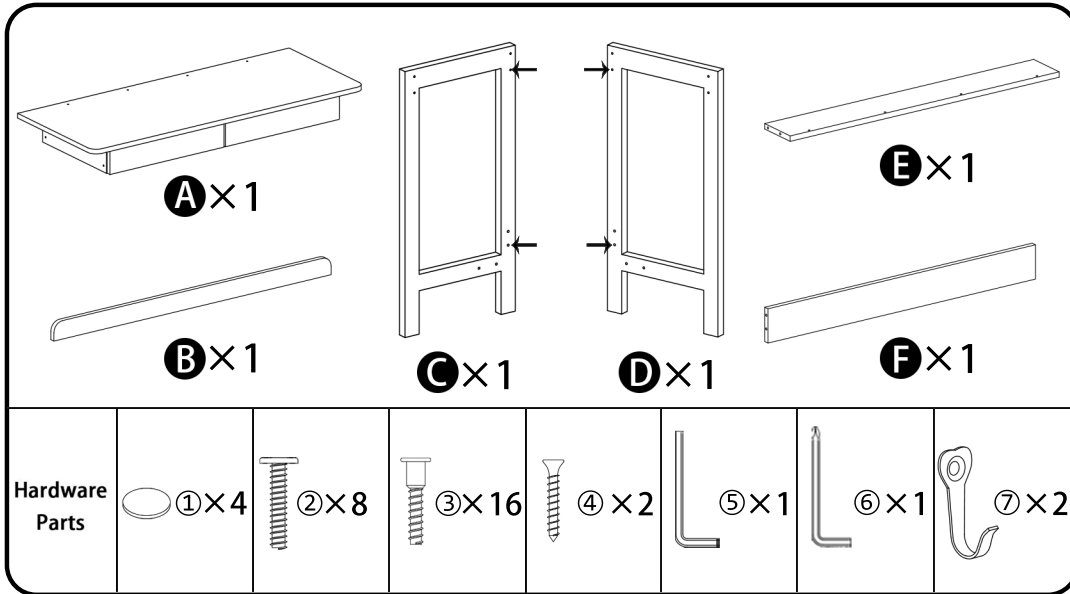
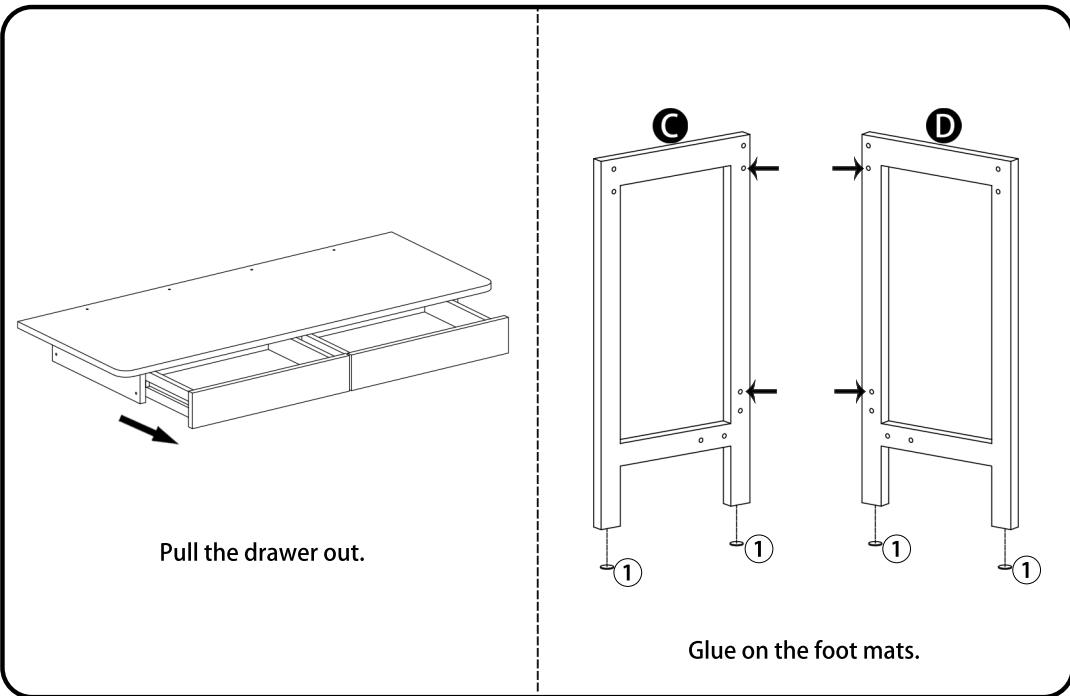


ASSEMBLY INSTRUCTION



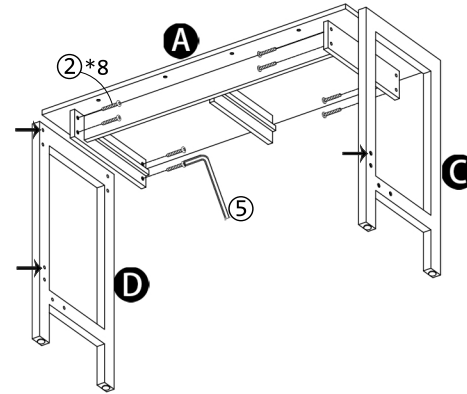
Installation Steps

(Tips: Tighten the screws 70% during installation, and tighten them only after everything is completed!)

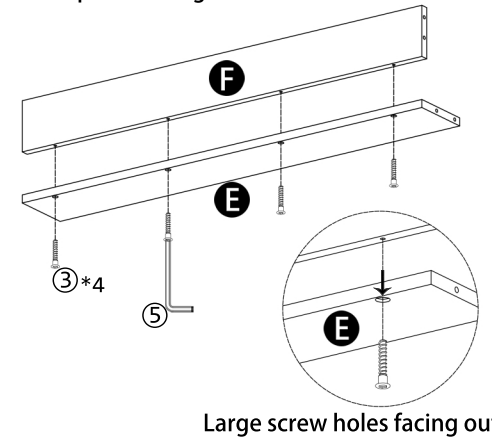


Installation Steps

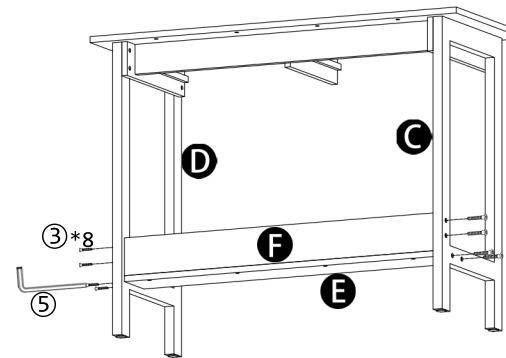
Screw parts A C D together with screwdriver ⑤.
(Note the orientation of the holes)



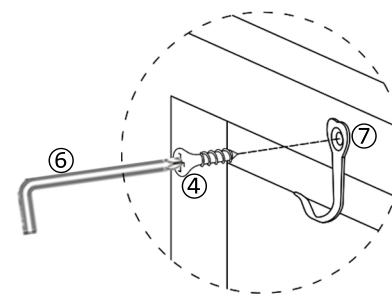
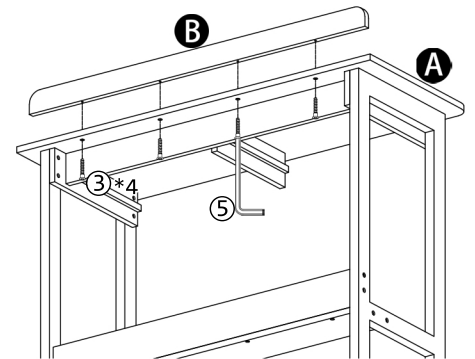
Screw parts E F together with screwdriver ⑤.



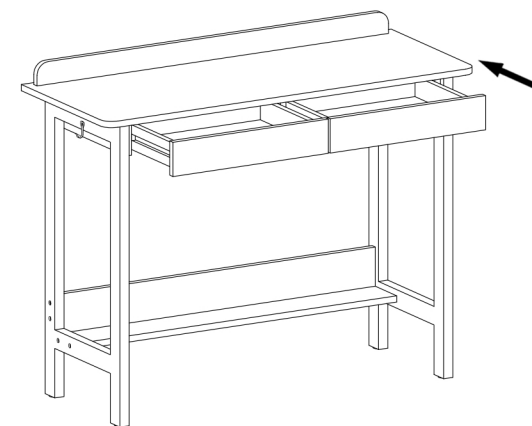
Screw parts C D E F together with screwdriver ⑤.



Screw parts A B together with screwdriver ⑤.



Install hooks and place in drawers.



NOTE: No pre-drilled holes for hooks.
You can choose to install hooks or not as needed.