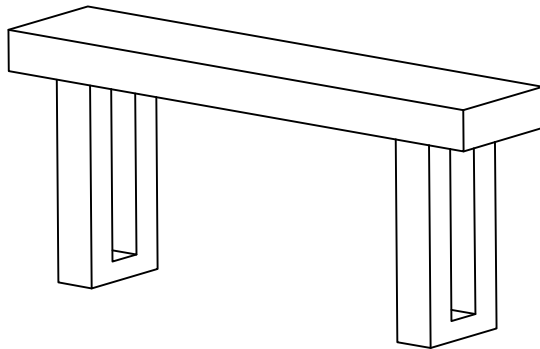


ASSEMBLY INSTRUCTIONS

Caution : Please check whether the bolts are loose every 3-6 months and tighten the bolts .

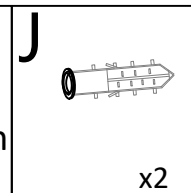
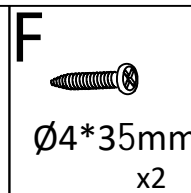
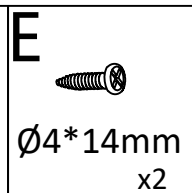
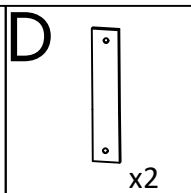
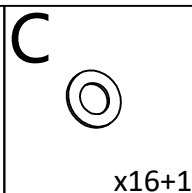
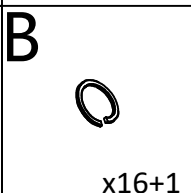
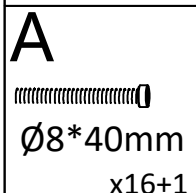
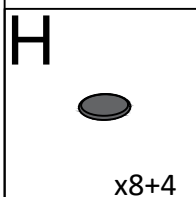
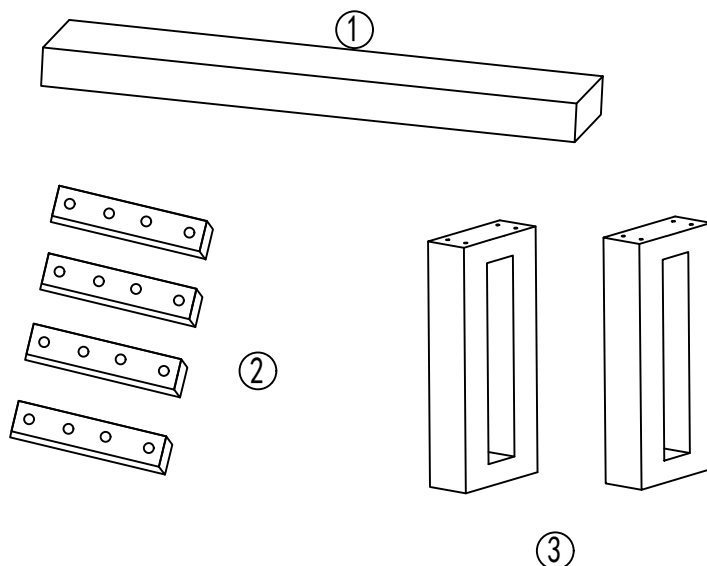
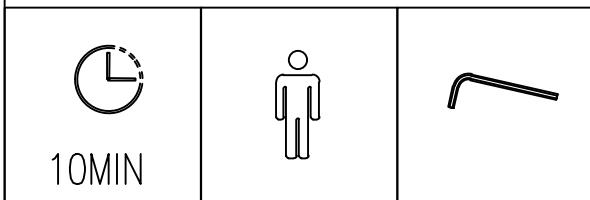


NOTE: To reduce the risk of furniture tipover. Always install tipover restraint provided.

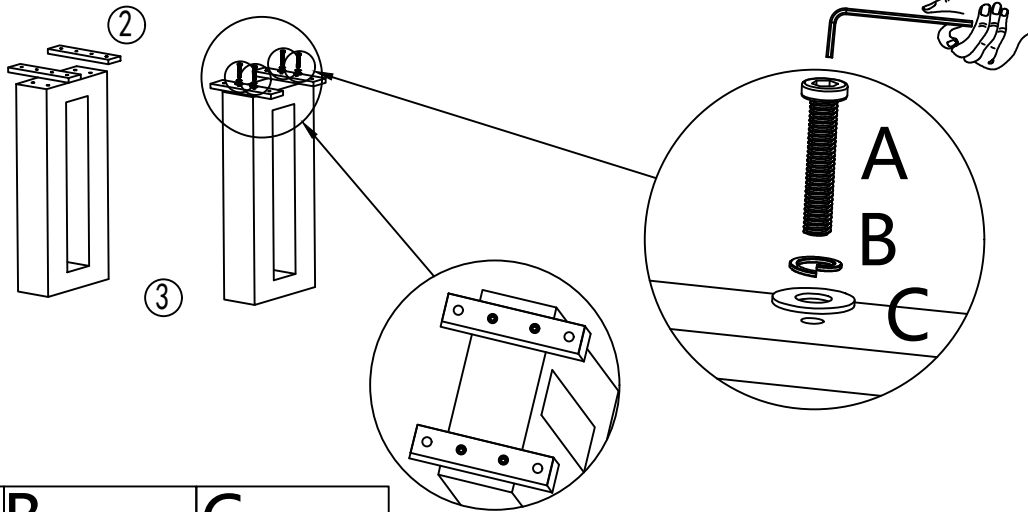
If there is any missing, please kindly send us messages to let us know the name of missing part regarding to the first page of instructions.




We will send replacement to you asap. We are concerned about each customer's experience, if there is any loss or damage, please contact us at any time, we will provide effective solutions.

Please attach your Order ID so that we can assist you better.

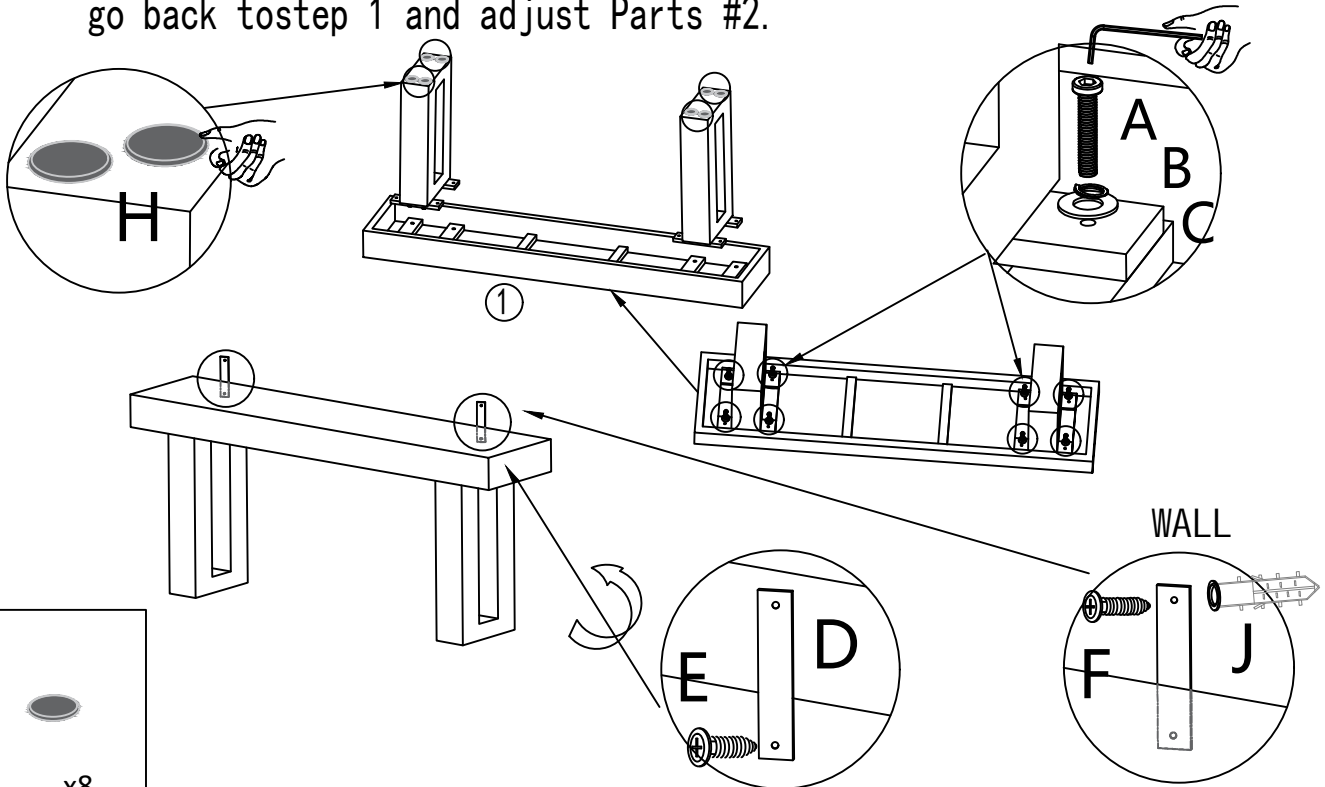



- 1** Ensure wood strip #2 is secured perpendicular to leg #3. Please tighten the bolts to 70% first, and tighten bolts 100% after all bolts assembled

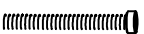








A  $\text{Ø}8*40\text{mm}$ x8	B  x8	C  x8
---	---	---

- 2** Please tighten the bolts to 70% first, and tighten bolts 100% after all bolts assembled. If the holes don't align, go back to step 1 and adjust Parts #2.



H  x8

A  $\text{Ø}6*40\text{mm}$ x8	B  x8	C  x8	D  x2	E  $\text{Ø}4*14\text{mm}$ x2	F  $\text{Ø}4*35\text{mm}$ x2	J  x2
---	---	---	---	--	--	---