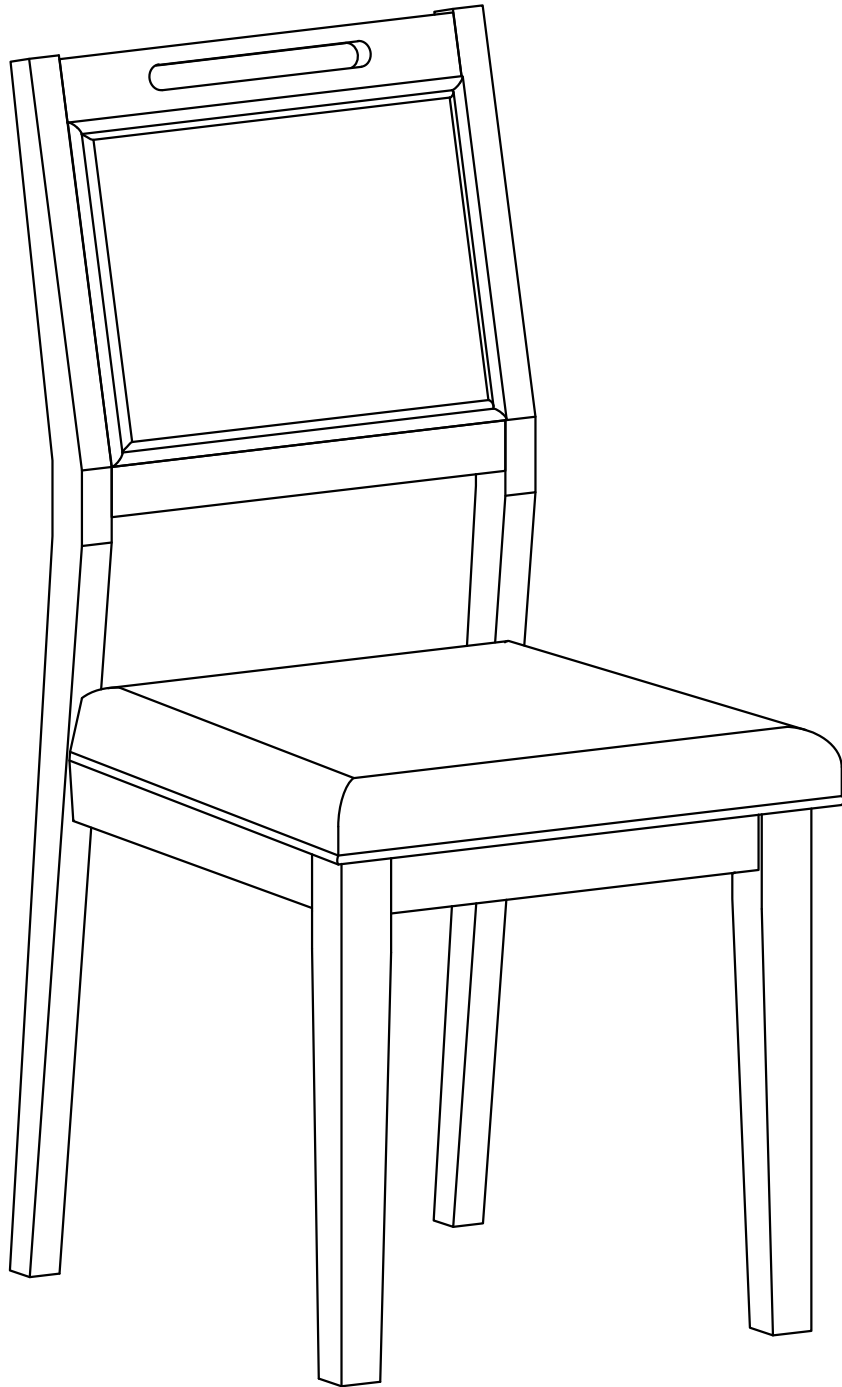


# ASSEMBLY INSTRUCTION

ITEM NO.N715P194627

## Dining Chair



# ASSEMBLY INSTRUCTION

ITEM NO.N715P194627

Please read these instructions fully before starting assembly:

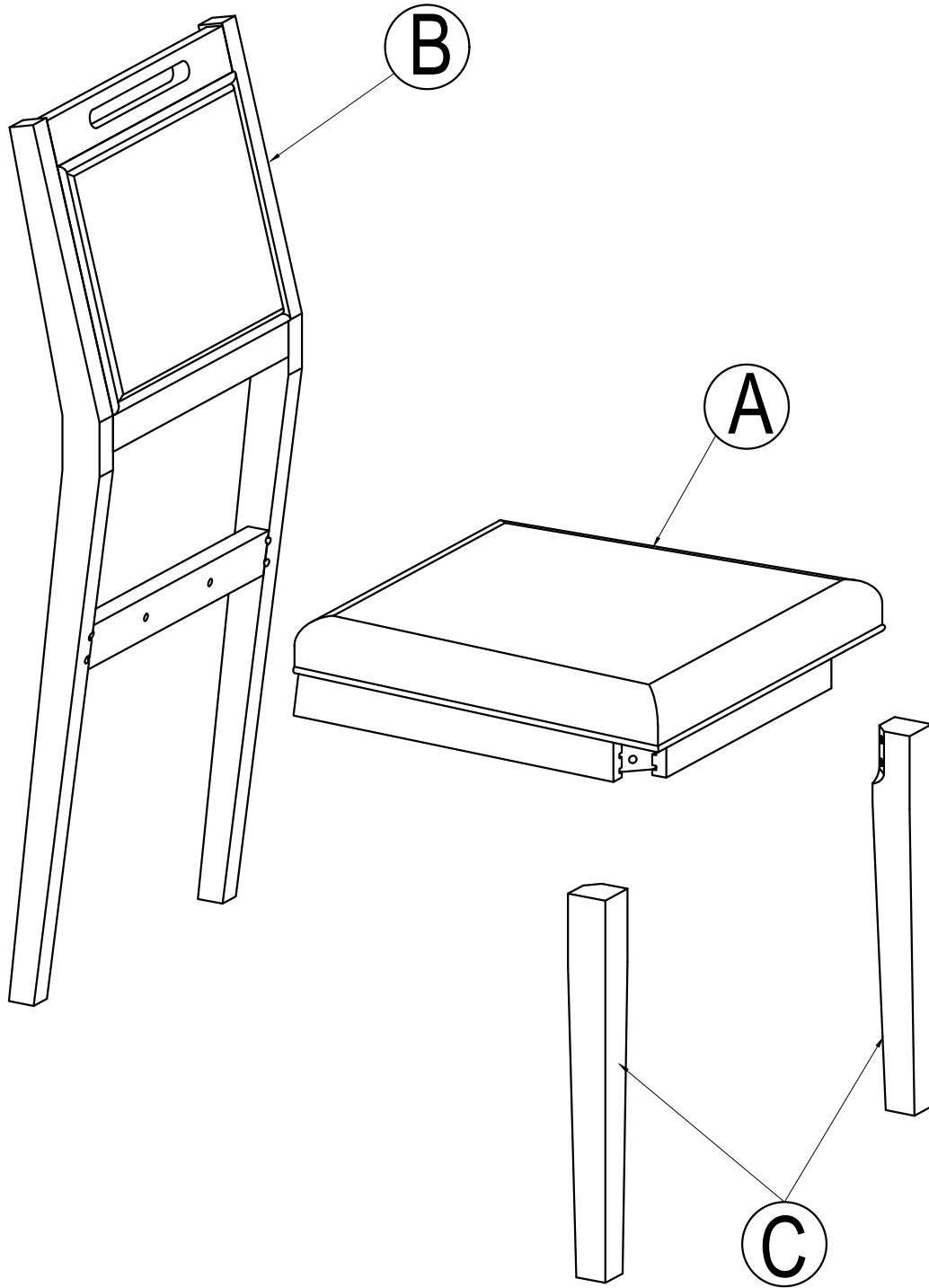
1. Place all wooden parts on a clean and smooth surface such as a rug or carpet to avoid scratching the parts.
2. Kindly follow the assembly instructions step by step.
3. Do not tighten all screws and bolts until the table is fully assembled.
4. Unscrew the protective plastique supports from the metal insert of the table legs before assembly.
5. Parts of the assembly will be easier with 2 people.

Care and maintenance:

Only clean using a damp cloth and mild detergent, do not use bleach or abrasive cleaners.

# ASSEMBLY INSTRUCTION

ITEM NO.N715P194627

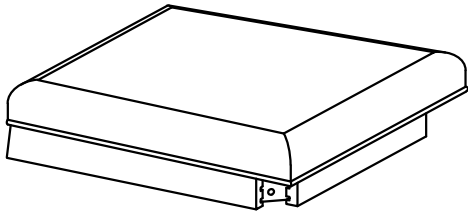


# ASSEMBLY INSTRUCTION

ITEM NO.N715P194627

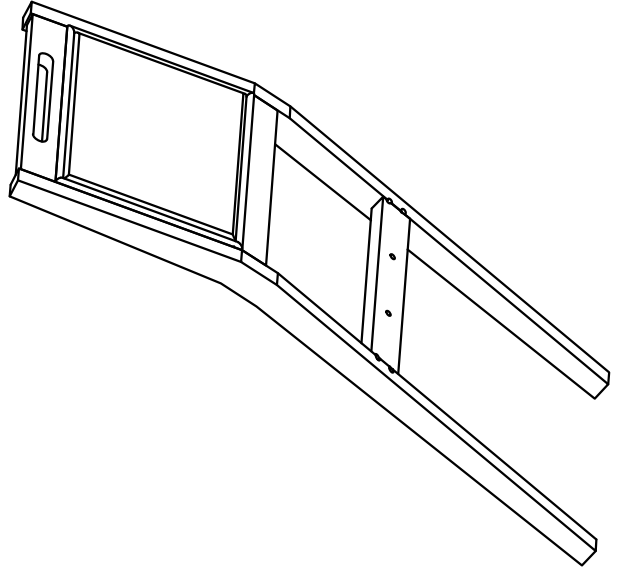
## Part List

Ⓐ



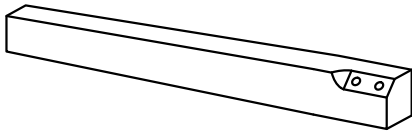
CUSHION SEAT (4 pcs)

Ⓑ



CHAIR BACK (4 pcs)

Ⓒ



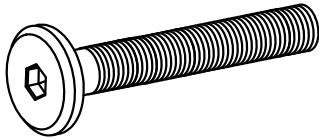
FRONT LEGS (8 pcs)

# ASSEMBLY INSTRUCTION

ITEM NO.N715P194627

## Hardware List

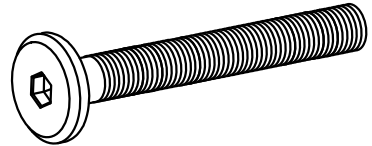
①



Ø 1/4" x 40mm

BOLT (8pcs)

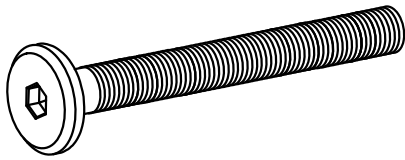
②



Ø 1/4" x 55mm

BOLT (16 pcs)

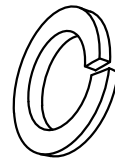
③



Ø 1/4" x 75mm

BOLT (16 pcs)

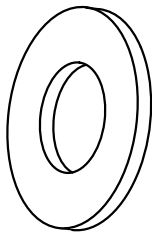
④



Ø5/16" x 13mm

FLAT WASHER (40 pcs)

⑤



Ø5/16" x 19mm

LOCK WASHER (40 pcs)

⑥



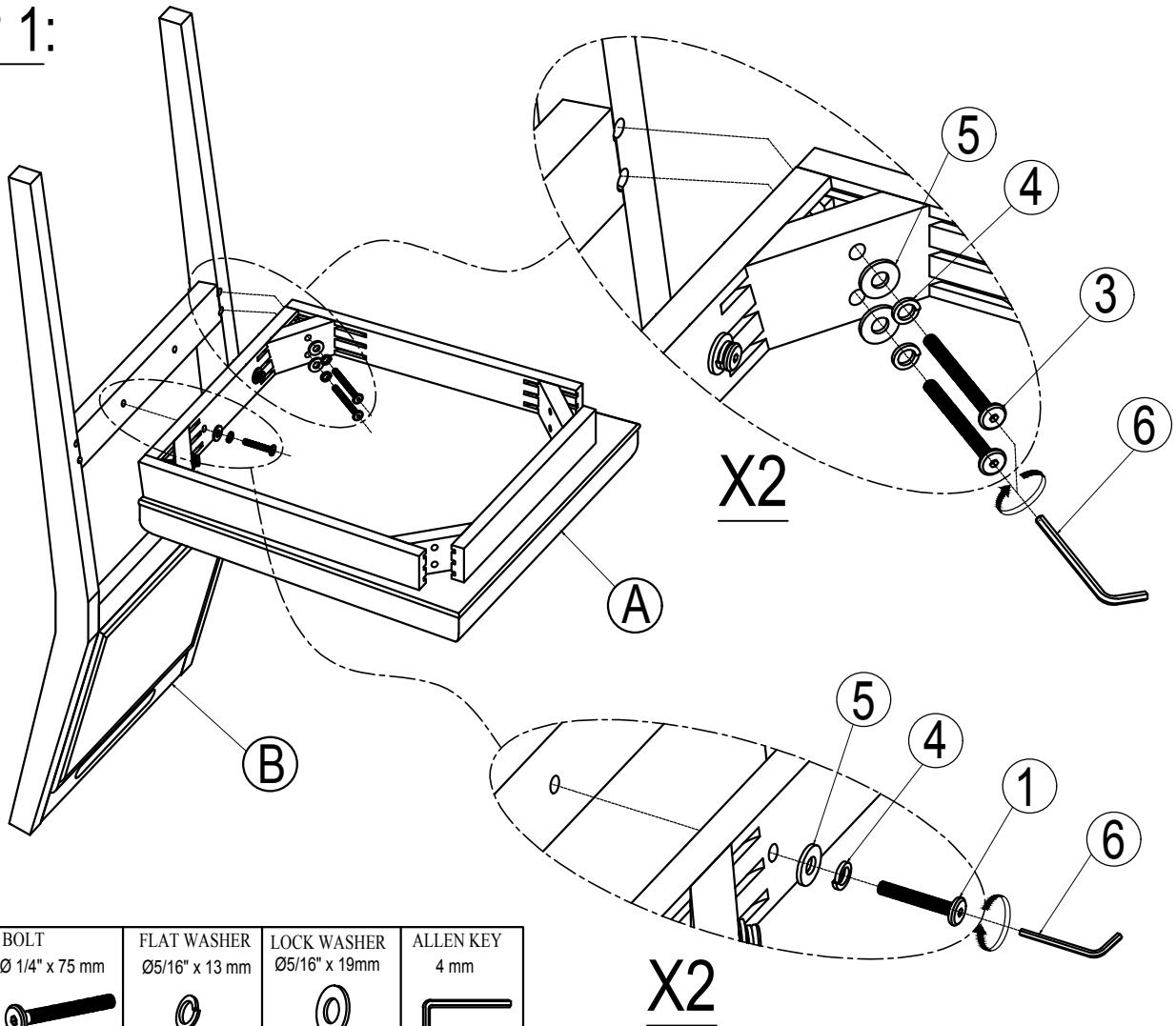
4mm






ALLEN KEY (1pc)

# ASSEMBLY INSTRUCTION

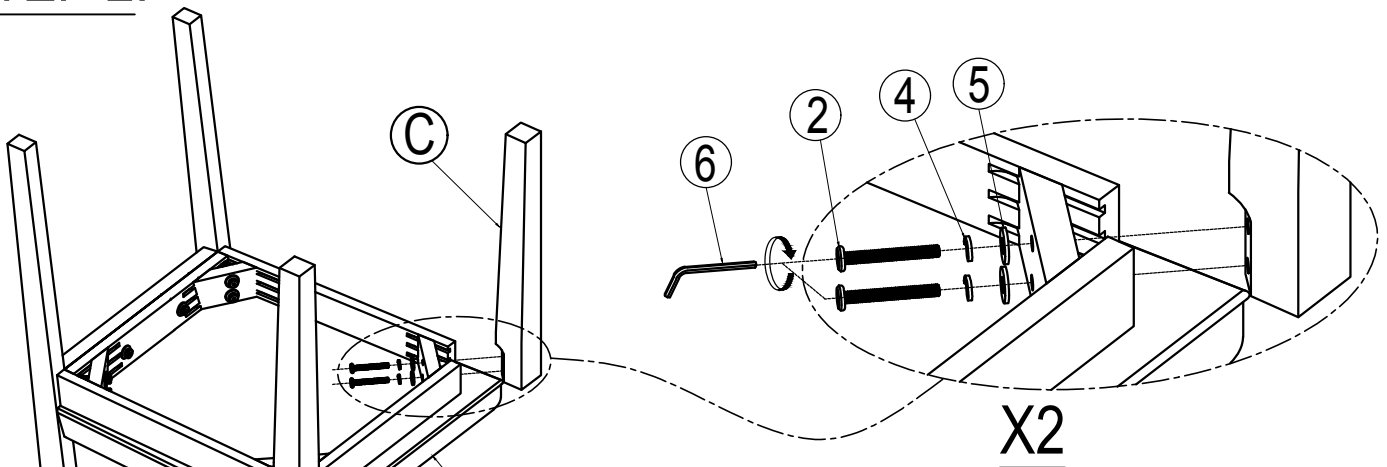
ITEM NO.N715P194627





## STEP 1:



BOLT Ø 1/4" x 40 mm	BOLT Ø 1/4" x 75 mm	FLAT WASHER Ø5/16" x 13 mm	LOCK WASHER Ø5/16" x 19mm	ALLEN KEY 4 mm
				
①x 2	③x 4	④x 6	⑤x 6	⑥x 1

## STEP 2:



BOLT Ø 1/4" x 55 mm	FLAT WASHER Ø5/16" x 13 mm	LOCK WASHER Ø5/16" x 19mm	ALLEN KEY 4 mm
			
②x 4	④x 4	⑤x 4	⑥x 1

# ASSEMBLY INSTRUCTION

ITEM NO.N715P194627

COMPLETE

