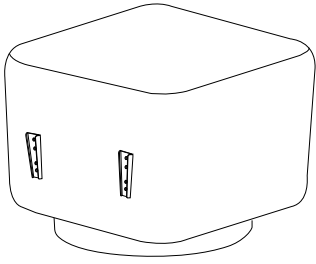


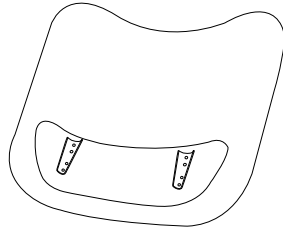
Assembly instructions

A



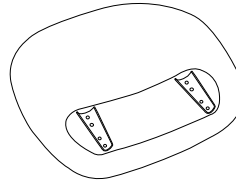
x1

B



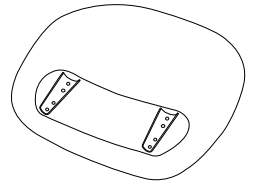
x1

C



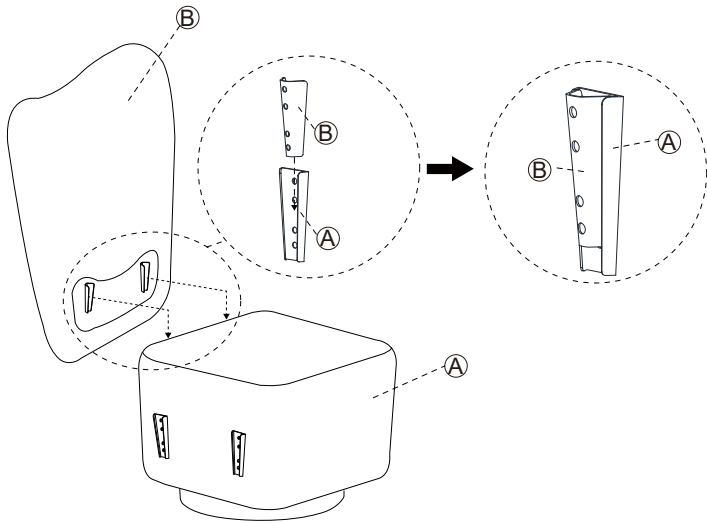
x1

D

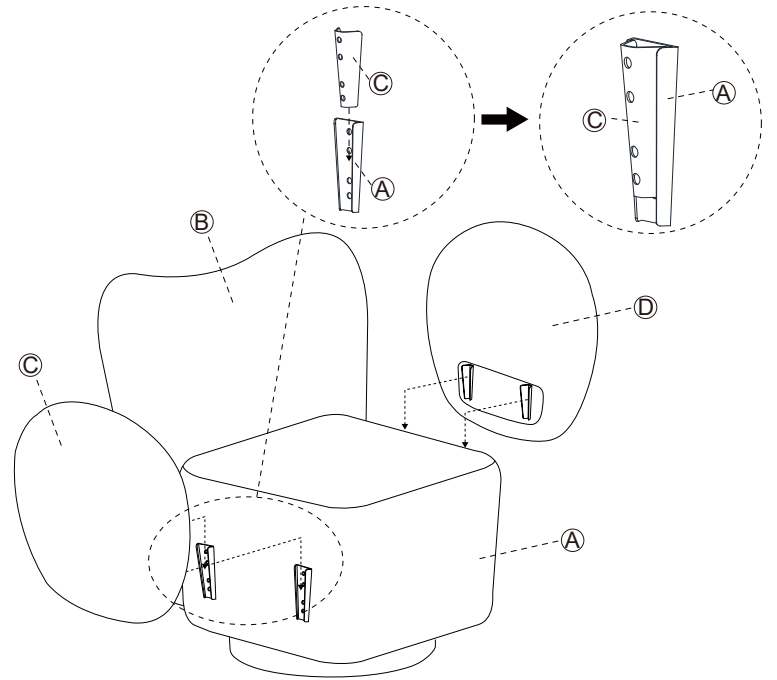


x1

Step 1



Step 2



Step 3

