

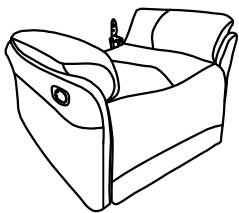
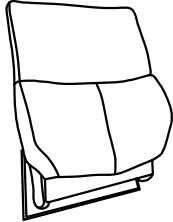


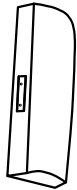
Assembly Instructions

CR6489KF71D

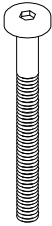
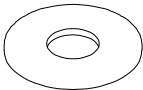
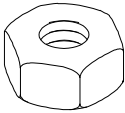
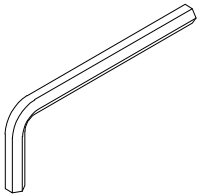
Your recliner comes packaged in one box. Carefully remove all of components from the packaging and set aside for assembly.

CAUTION:
DO NOT use any sharp objects to open plastic wrapped components as damage to product or components may result.

Package Contents

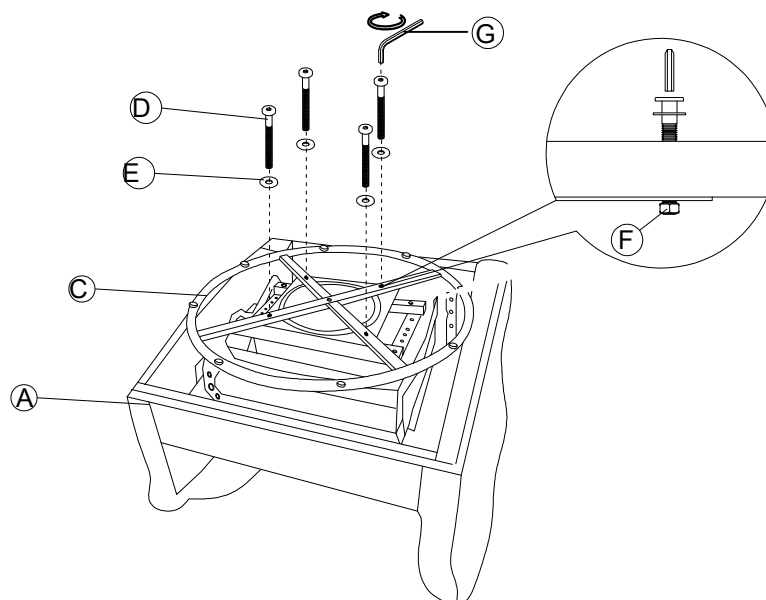
1PC 	1PC 	1PC 	1PC 	1PC 
A . Seat Body	B . Backrest	C. Metal Wheel	D. Left Ear	E. Right Ear

Hardware

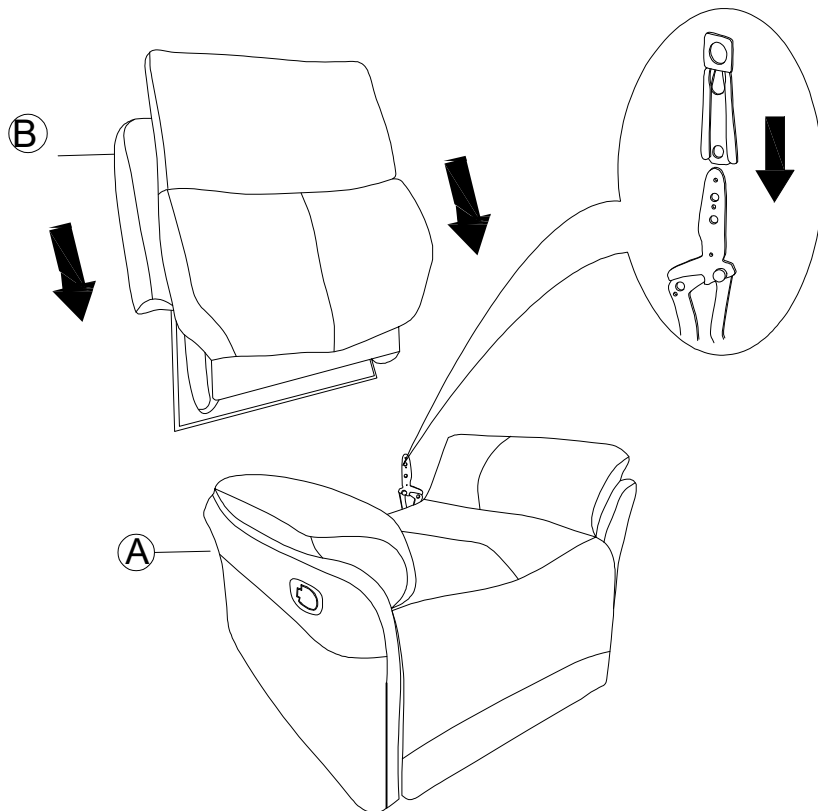
4PCS 	4PCS 	4PCS 	1PC 
D. Bolt	E. Flat Washer	F. Lock Nut	G. Allen Wrench

Step 1: Locate Red Hardware Pack attached on the bottom of the Seat Body (A), carefully separate the Metal Wheel (C) from the bottom of the Seat Body (A).

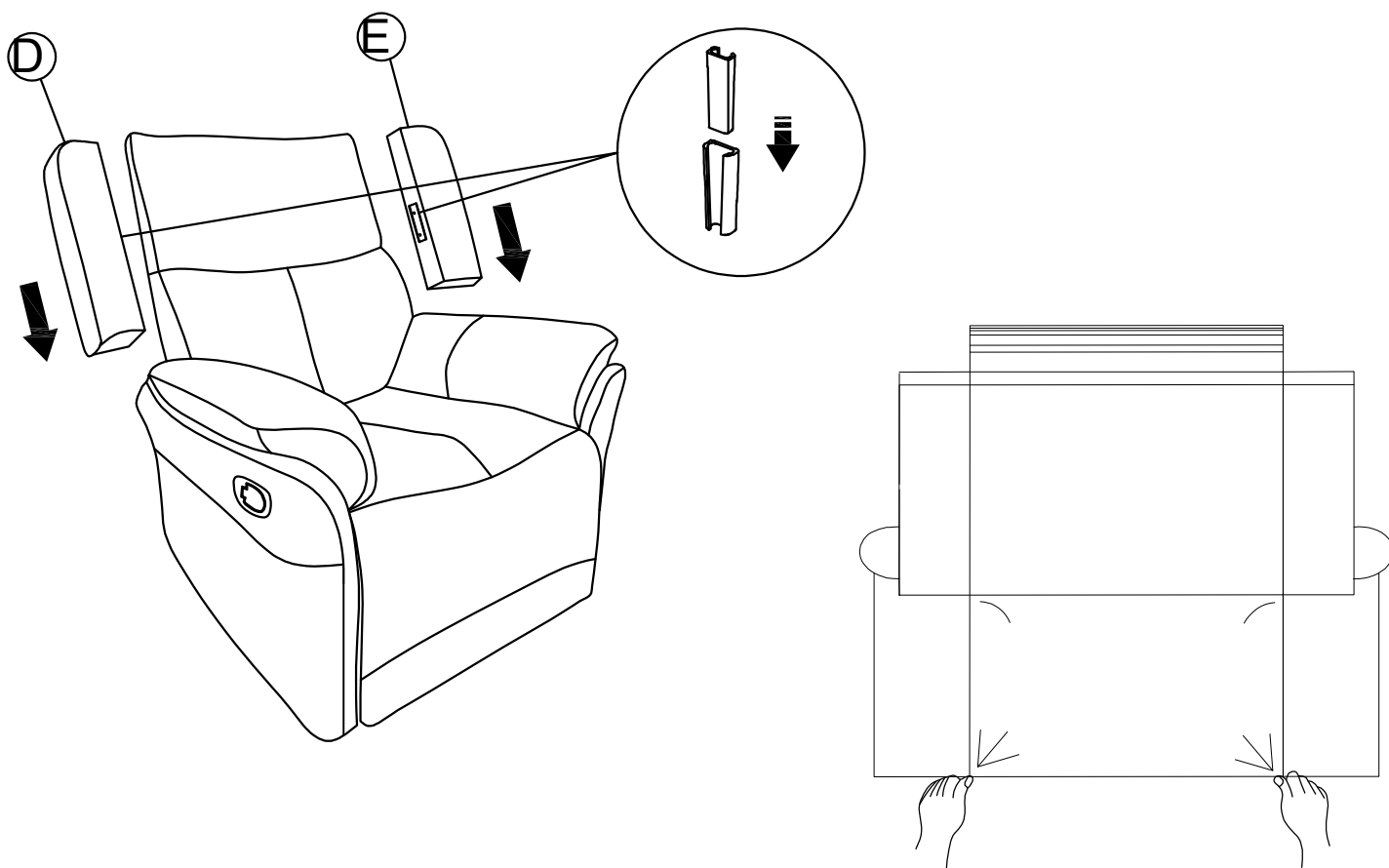
Put the Metal Wheel (C) on the iron frame to the iron frame holes, first Bolt (D) through the Flat Washer (E) and then from top to bottom through the indication of the holes, and Nuts (F) connected to tighten the fixed.



Step 2: Attach Backrest (B) to Seat Body (A).

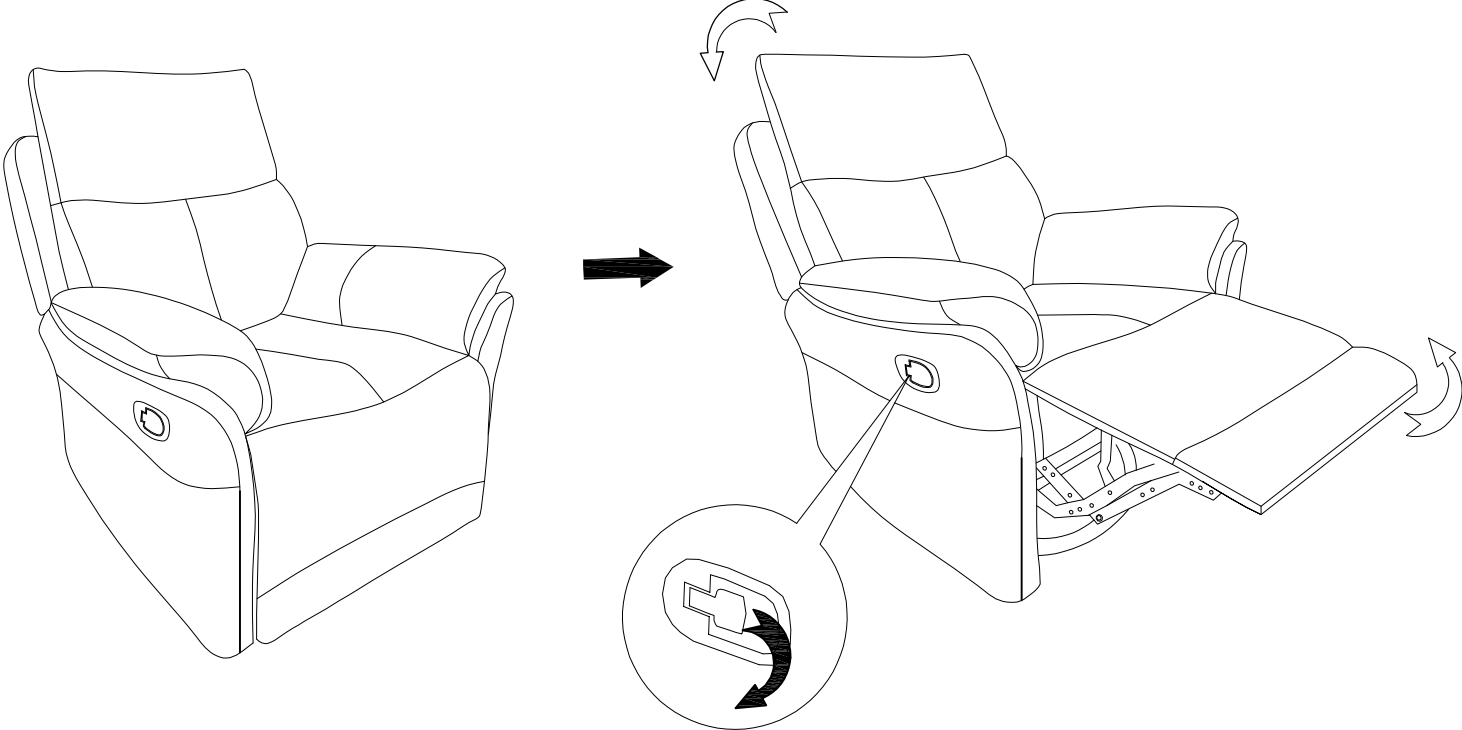


Step 3: Install right ear (E) and left ear (D) on the backrest (B)



ASSEMBLY INSTRUCTIONS

STEP 4:



STEP 5:

