

ASSEMBLY INSTRUCTIONS



Fine Furniture for every stage of life

ASSEMBLY INSTRUCTIONS

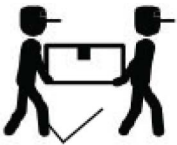
ASSEMBLY TIPS:

1. Remove hardware from box and sort by size.
2. Please check to see that all hardware and parts are present prior to start of assembly.
3. Please follow attached instruction in the same sequence as numbered to assure fast & easy assembly.



WARNING!

1. Don't attempt to repair or modify parts that are broken or defective. Please contact the store immediately.
2. This product is for home use only and not intended for commercial establishment.



ASSEMBLY TIME

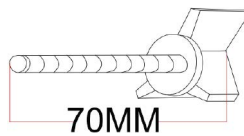
6 MINUTES

PARTS IDENTIFICATION

| | | | | | | | |
|---|-------------|--|-----|---|---------------|--|------|
| A | BASE | | 1PC | E | SEAT CUSHION | | 1PC |
| B | LEFT BACK | | 1PC | F | PILLOW | | 2PCS |
| C | RIGHT BACK | | 1PC | G | LUMBAR PILLOW | | 1PC |
| D | MIDDLE BACK | | 1PC | H | LEG | | 5PCS |

HARDWARE IDENTIFICATION

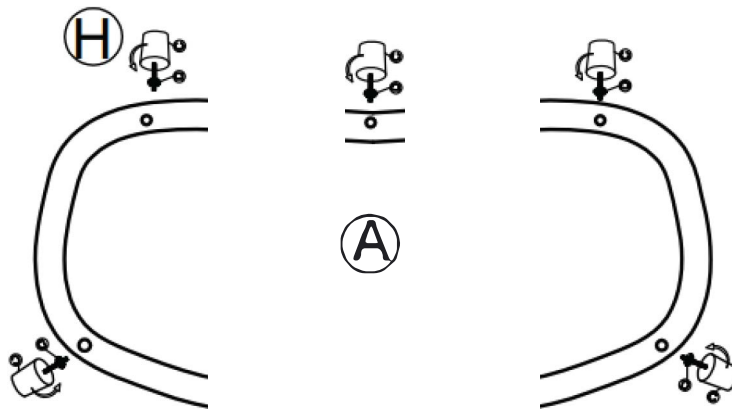
1 SCREW



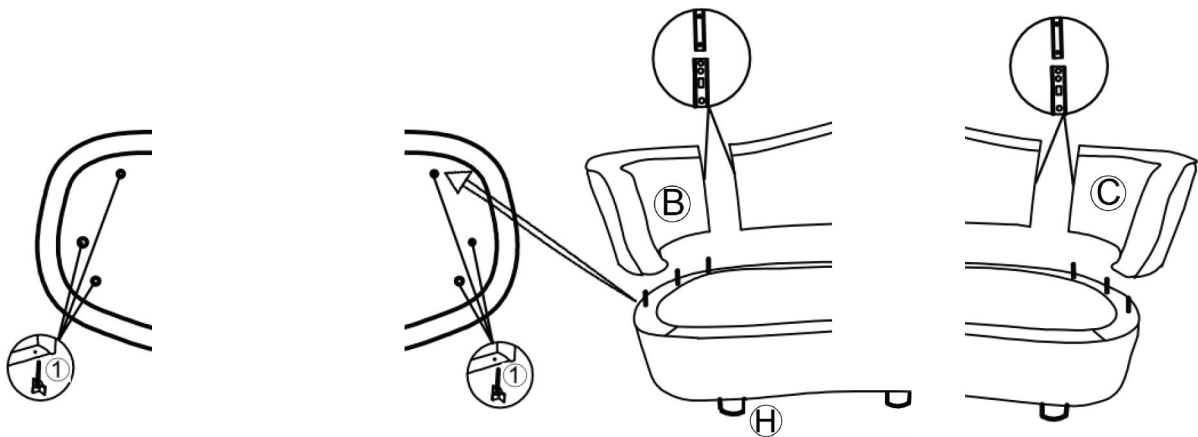
6pcs

ASSEMBLY INSTRUCTIONS

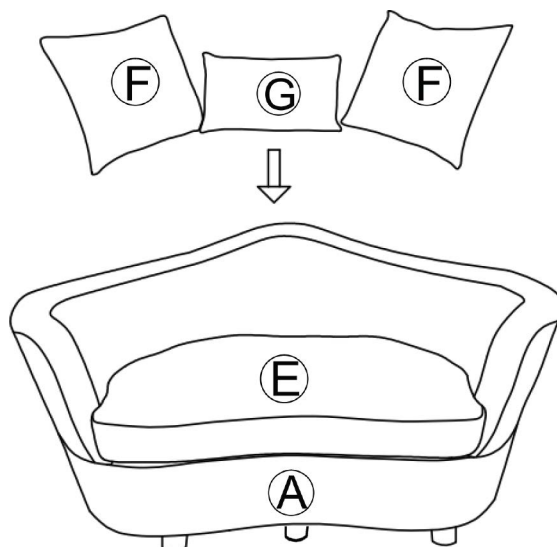
STEP 1



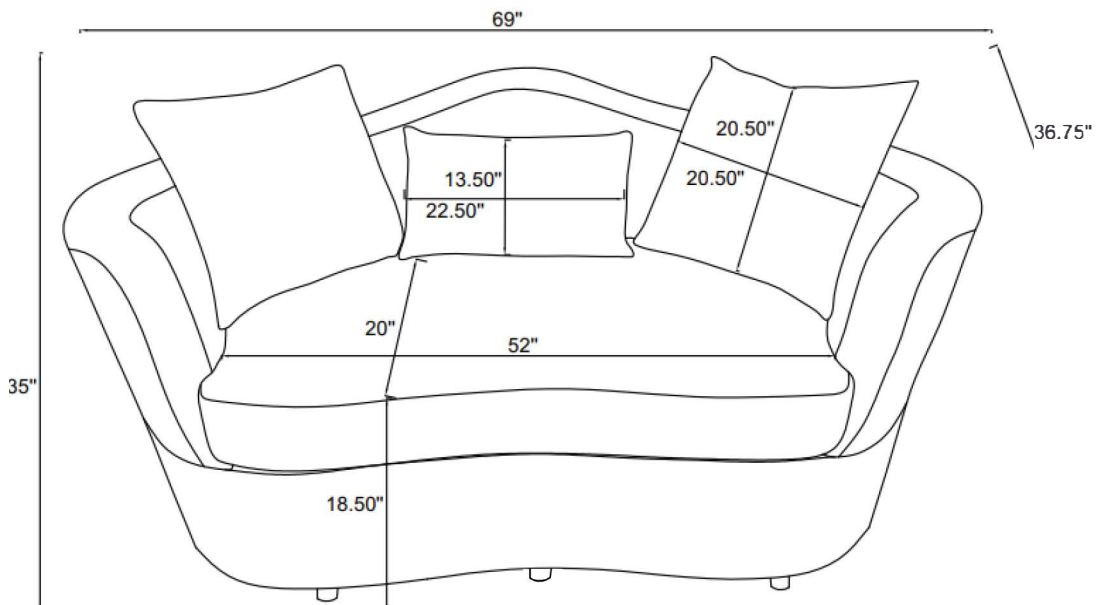
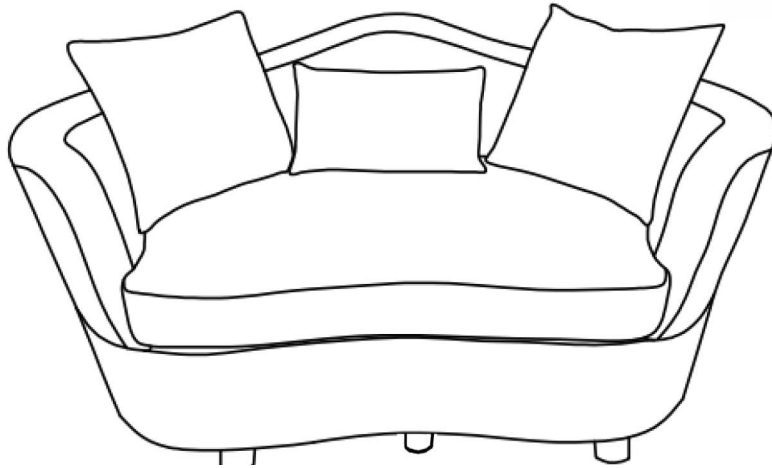
STEP 2



STEP 3



STEP 4



Note : Dimension tolerance $\pm 5\%$