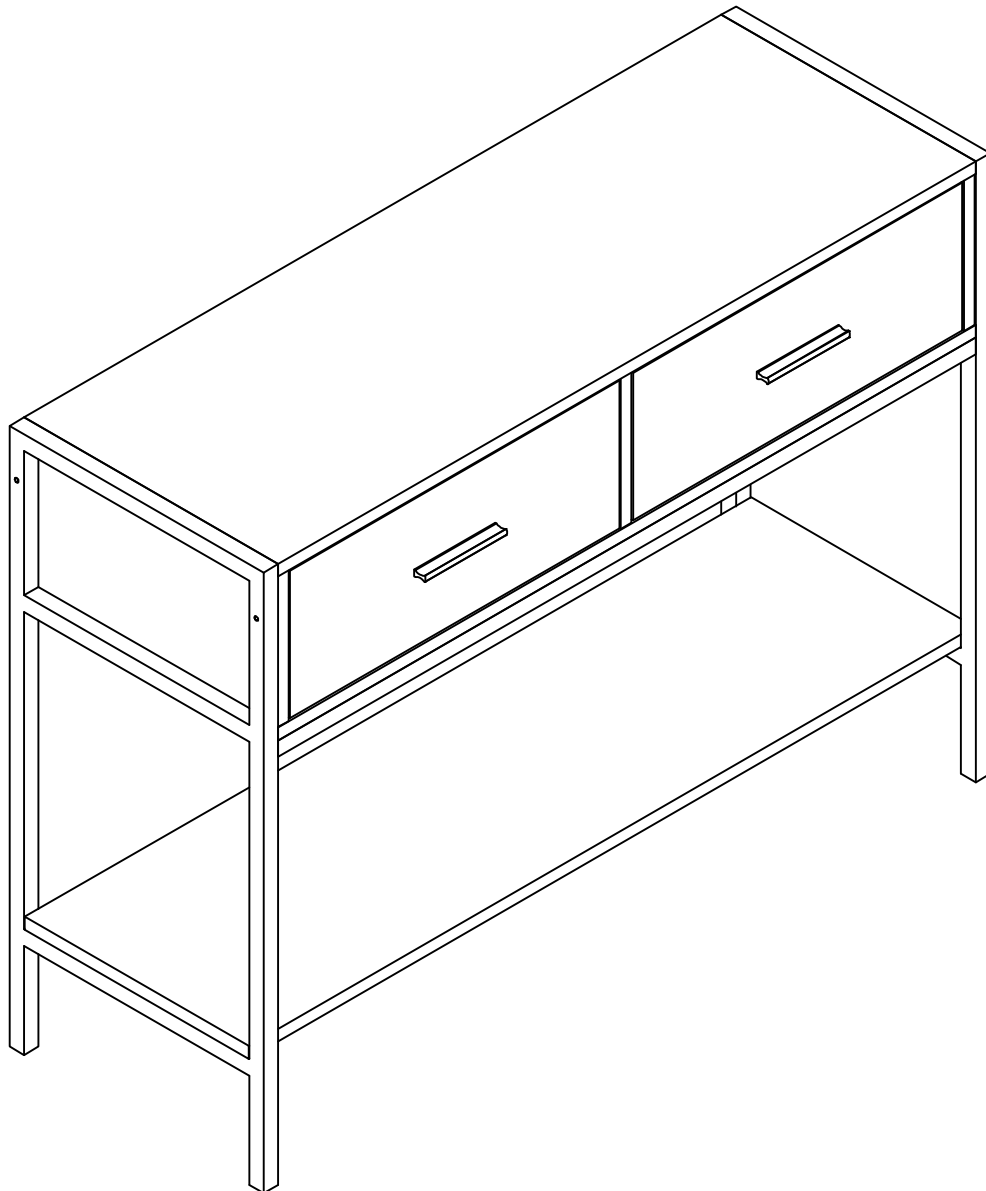


LOFT CONSOLE TABLE

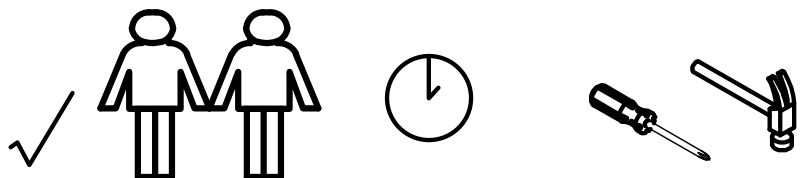
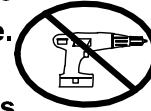
ASSEMBLY INSTRUCTION - Please Keep For Future Reference



Safety and Care Advice

IMPORTANT - Please Read This Instruction Carefully Before Assembly.

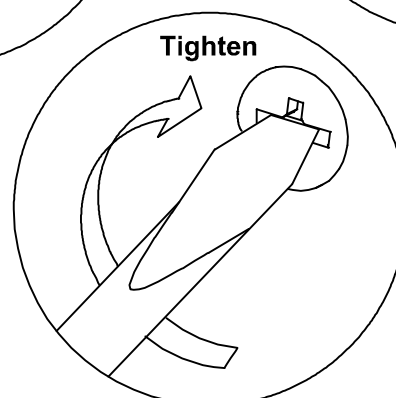
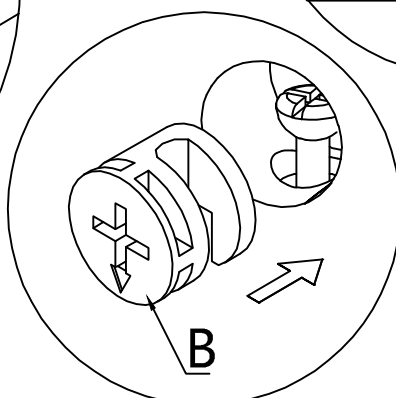
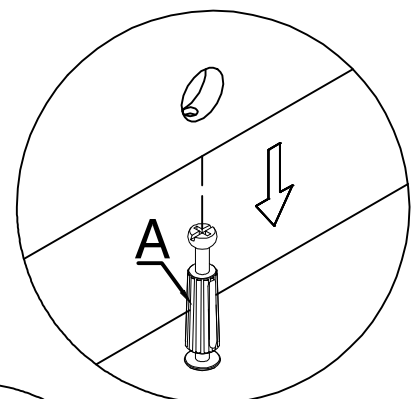
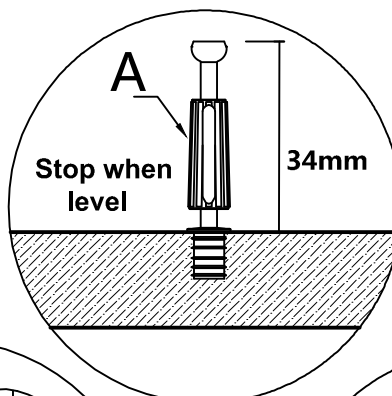
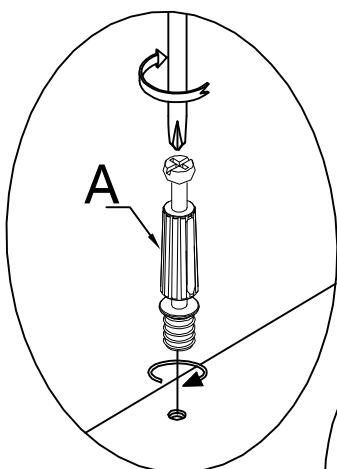
- Check you have all the components and tools listed on page 3.
- Remove all settings from the plastic bags and separate them into their groups.
- Keep children and animals away from the work area, small parts could choke if swallowed.
- Make sure you have enough space to layout the parts before assembly.
- Do not stand or put weight on the product, this could cause damage.
- Assemble the item as close to it's intended position (in the same room) as possible.
- Assemble on a soft level surface to avoid damaging the unit.
- Parts of the assembly will be easier with 2 people.
- Do not use power drill/drivers for assembly, or the unit may be damaged.
- Dispose of all packaging carefully and responsibly.



CARE and MAINTENANCE

- Only clean using a damp cloth and mild detergent, do not use bleach or abrasive cleaners.
- From time to time check that there are no loose screws on this unit.
- This product should not be discarded with household waste. Take to your local authority waste disposal center.

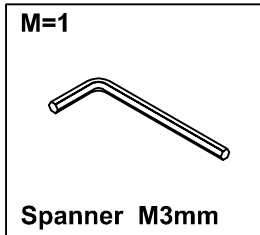
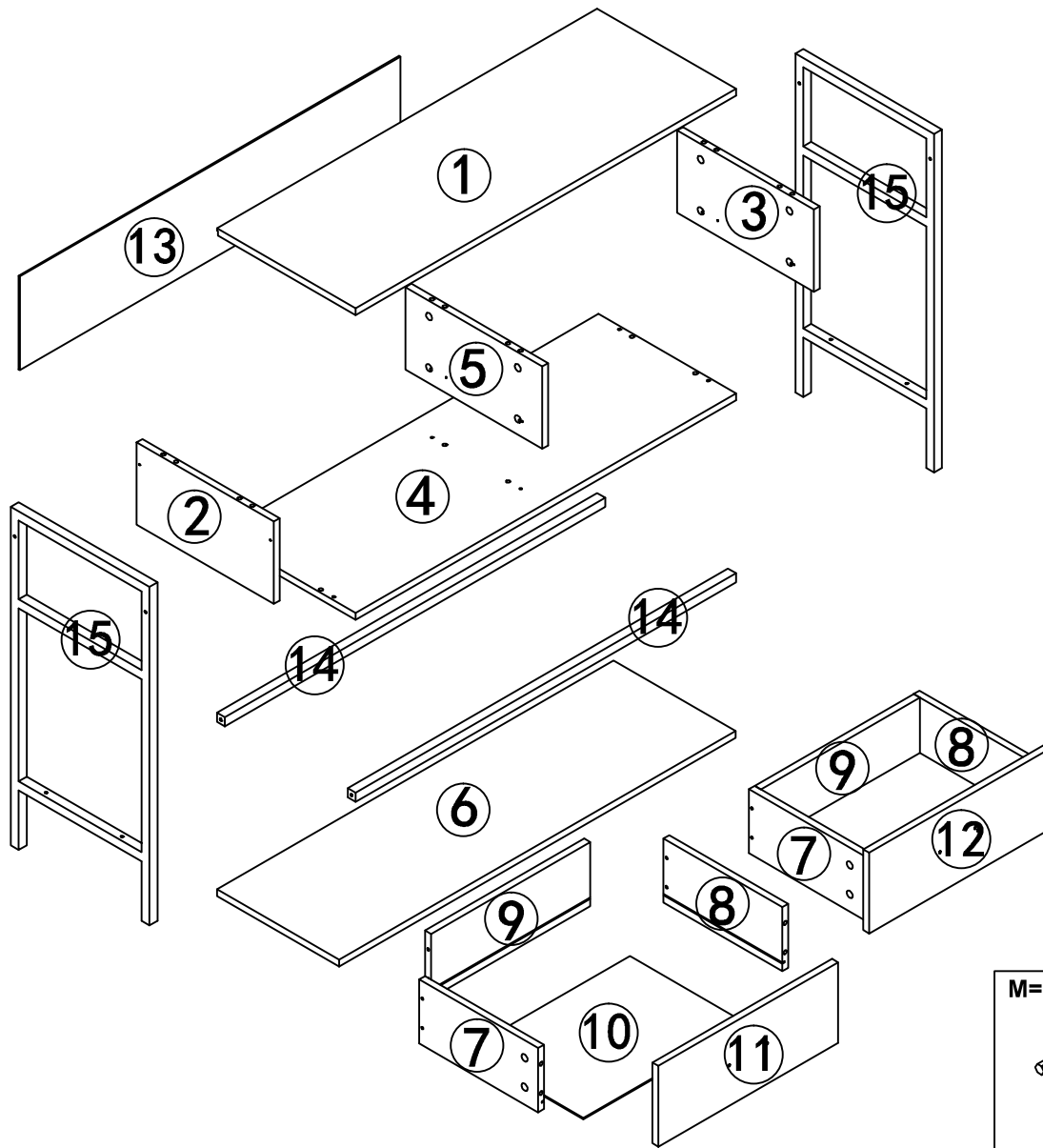
General Hints & Tips

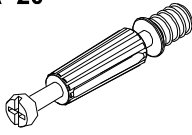
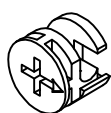
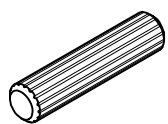
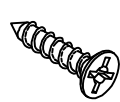
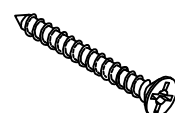

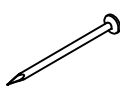

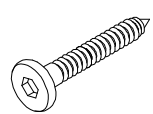
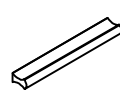
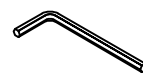



Components and Tools

IMPORTANT - Please Check If You Have All The Components and Tools.

Note: The quantities below are the correct amount to complete the assembly. In some cases more pieces may be supplied than are required.

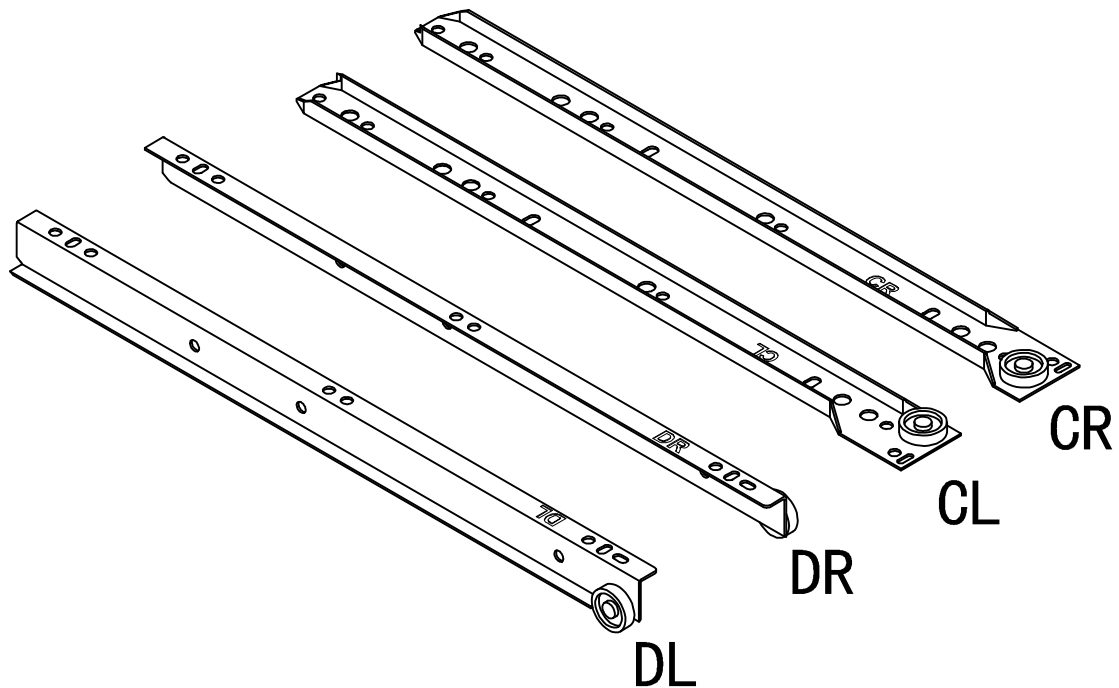


<p>A=20</p>  <p>Peg M6*34mm</p>	<p>B=20</p>  <p>Lock M15*12mm</p>	<p>C=12</p>  <p>Dowel M8*30mm</p>	<p>D=16</p>  <p>Screw M3.5*14mm</p>	<p>E=8</p>  <p>Screw M4*35</p>	<p>F=4</p>  <p>Screw M6*30</p>
<p>G=12</p>  <p>Pin</p>	<p>H=4</p>  <p>Screw M4*18</p>	<p>I=12</p>  <p>M4X30MM SCREW</p>	<p>J=2</p>  <p>Handle L96mm</p>	<p>K=1</p>  <p>Spanner M4mm</p>	<p>CR CL DR DL=2</p>  <p>Drawer Runner</p>

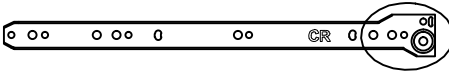
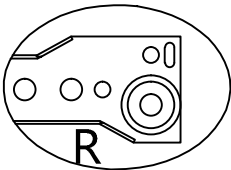
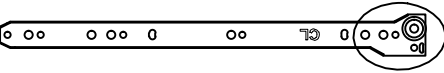
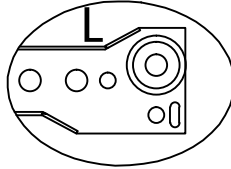

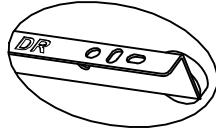
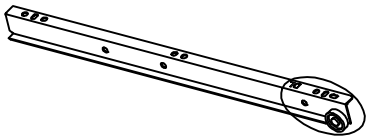
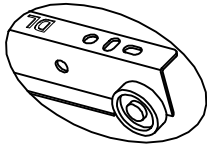
Drawer Runner Instruction

IMPORTANT - Please Read It Carefully.

NOTE:1 PAIR DRAWER RUNNER INCLUDES 4 PIECES.



Fittings (not to scale)

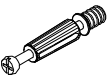
NO.	DESCRIPTION	QTY		
CR	Outer Drawer Runner - Right	3PCS		
CL	Outer Drawer Runner - Left	3PCS		
DR	Inner Drawer Runner - Right	3PCS		
DL	Inner Drawer Runner - Left	3PCS		

Assembly Instruction

Step 1

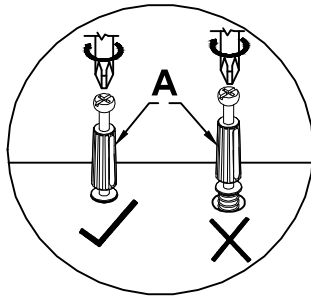
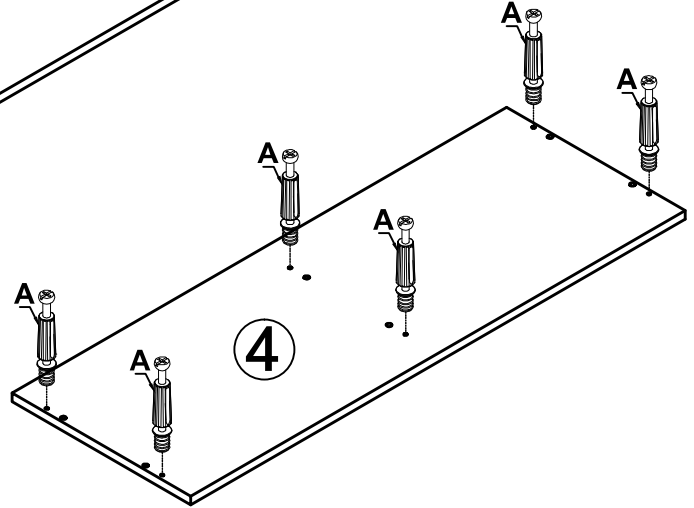
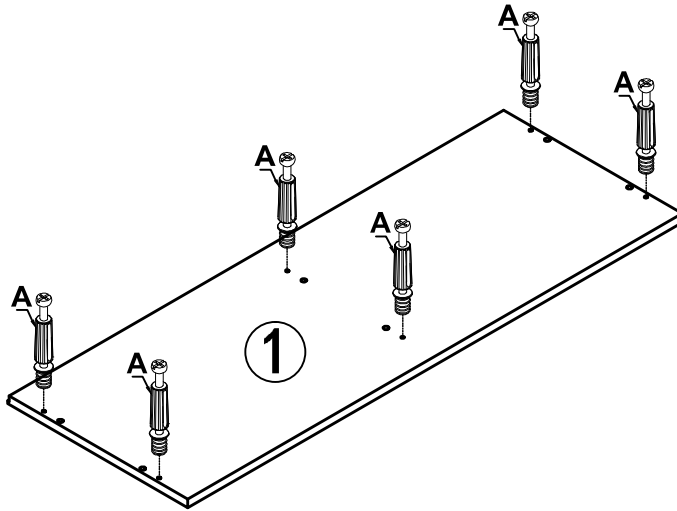
A=12

C=12



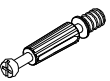
Peg

Dowel

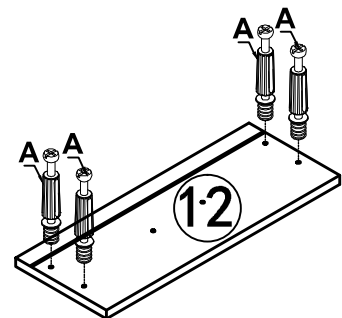
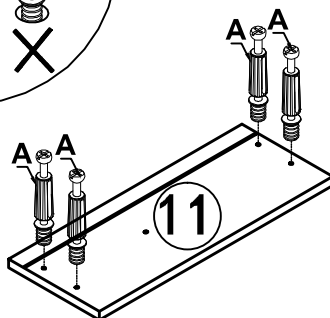
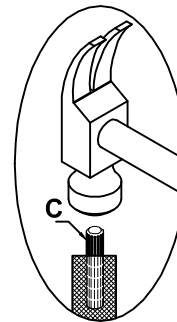
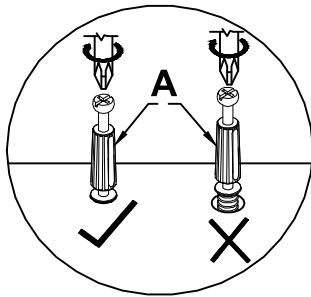
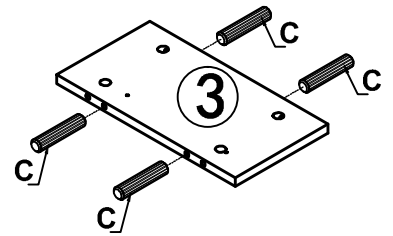
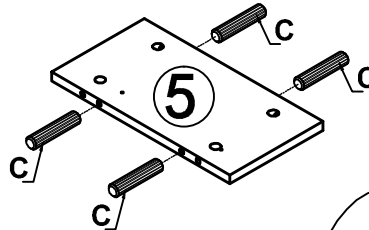
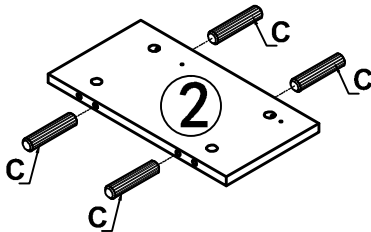


Step 2

A=8



Peg



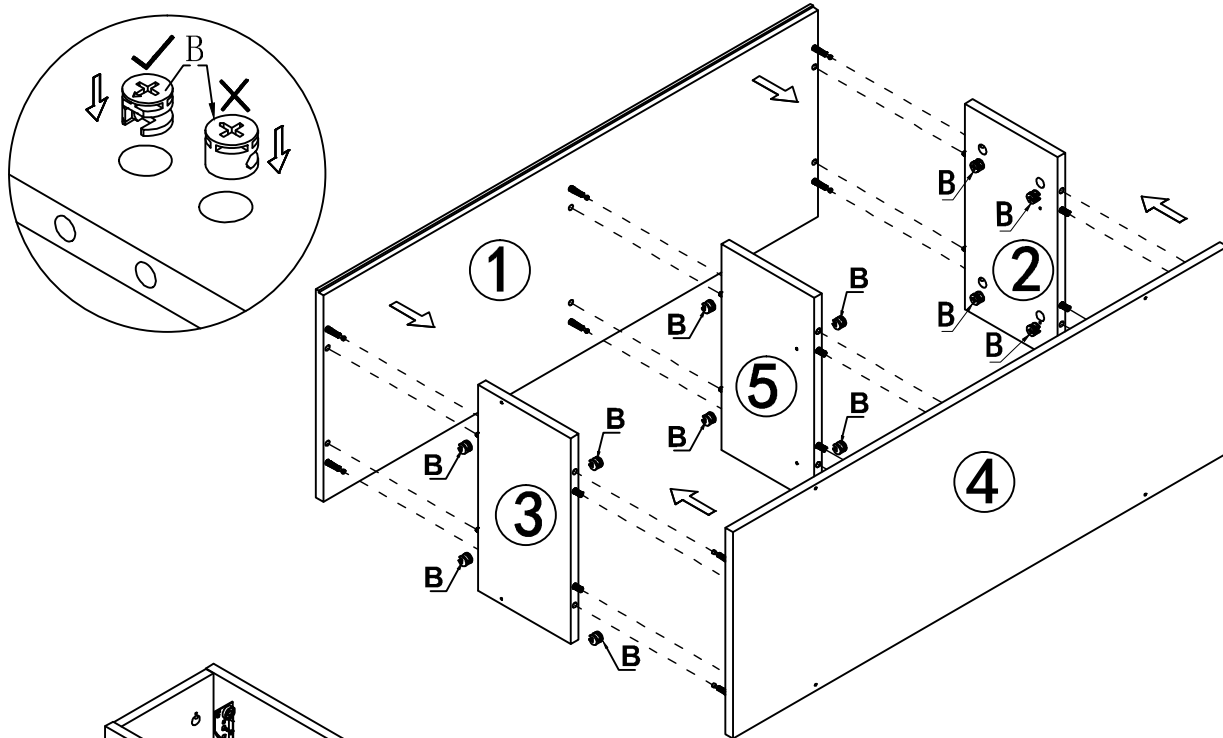
Assembly Instruction

Step 3

B=12

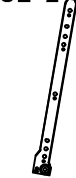


Lock
M15*12



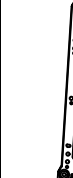
Step 4

CL=2



Drawer
Runner

CR=2

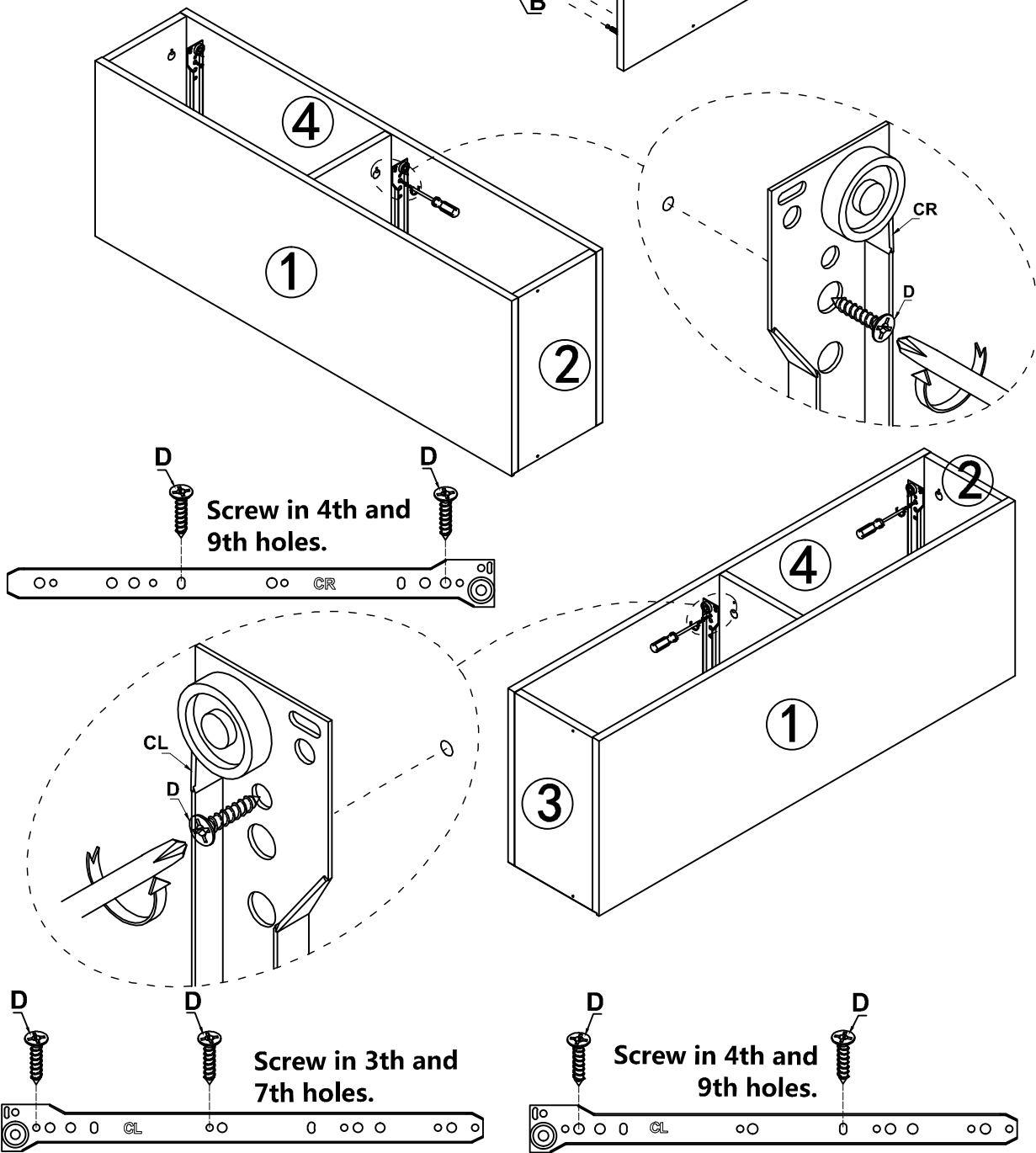


Drawer
Runner

D=8



Screw



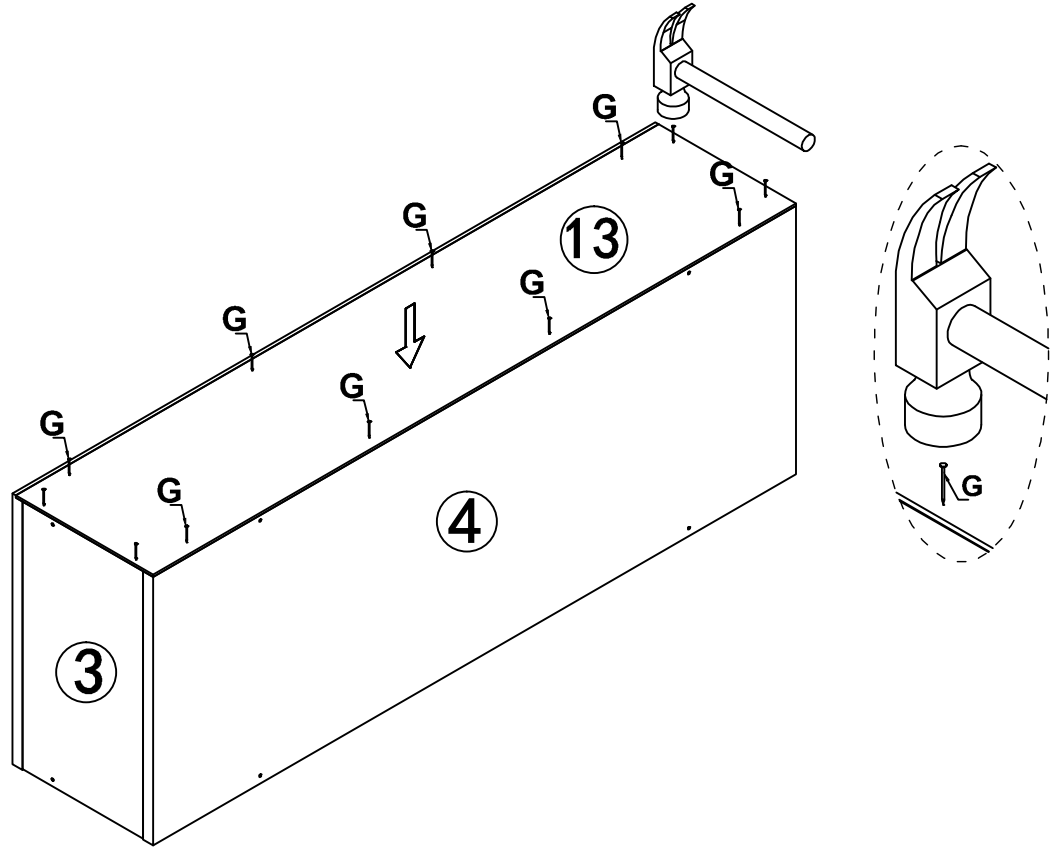
Assembly Instruction

Step 5

G=12



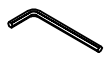
Pin



Step 6

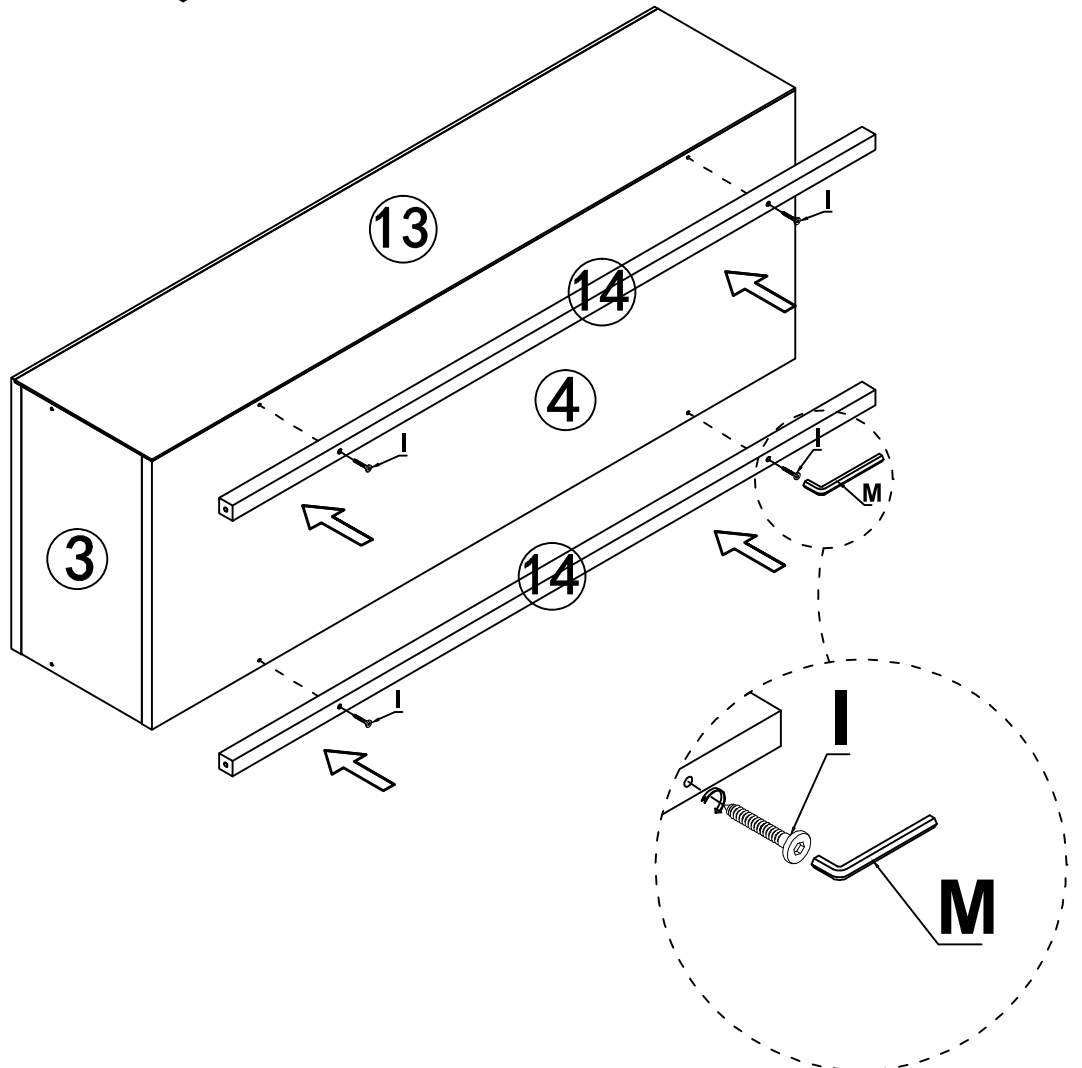
I=4

M=1



M4X30MM
SCREW

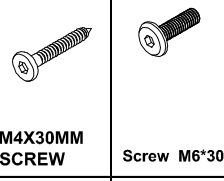
Spanner
M3mm



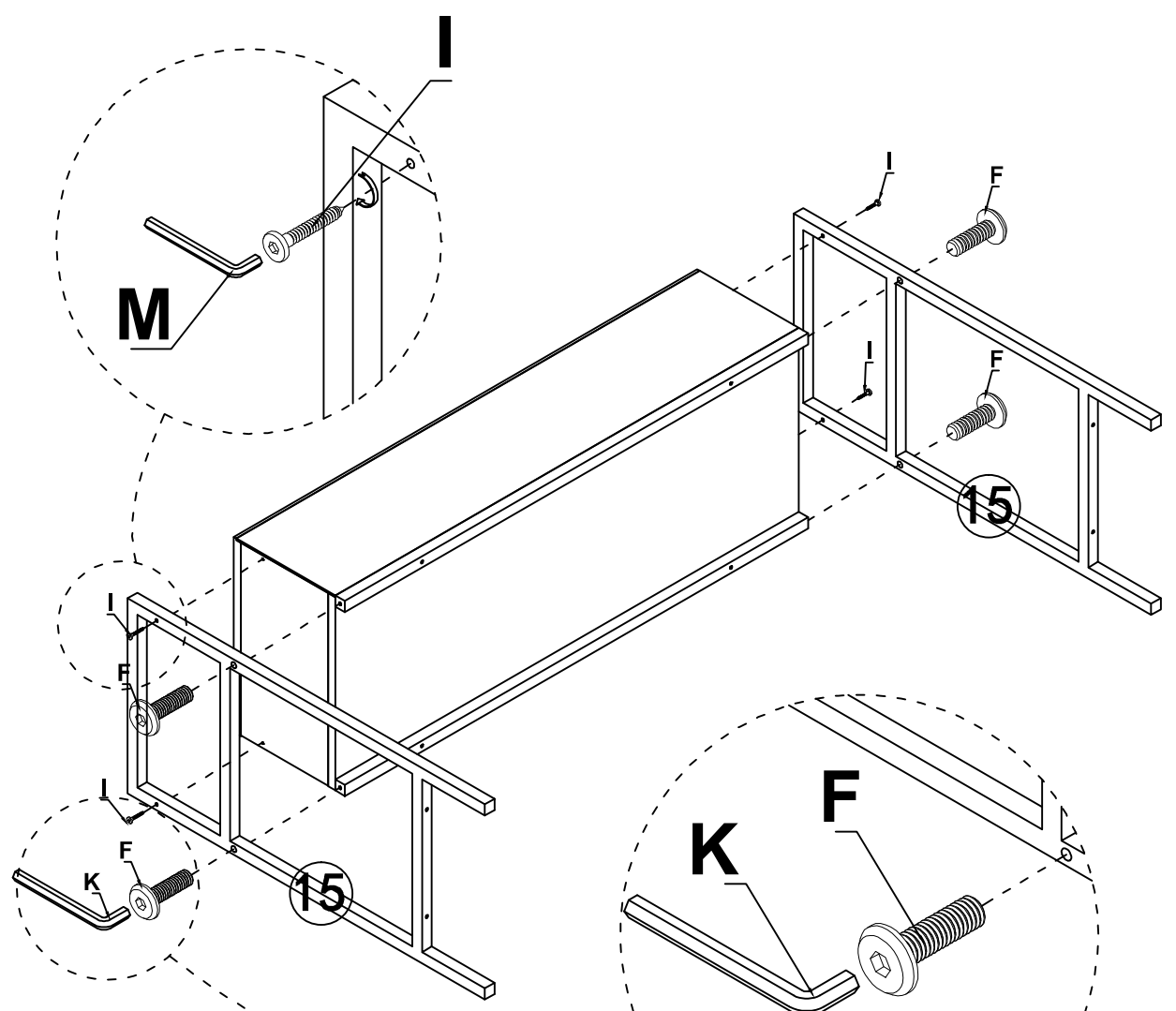
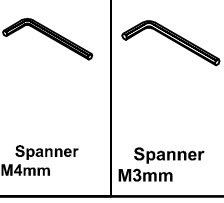
Assembly Instruction

Step 7

I=4 F=4

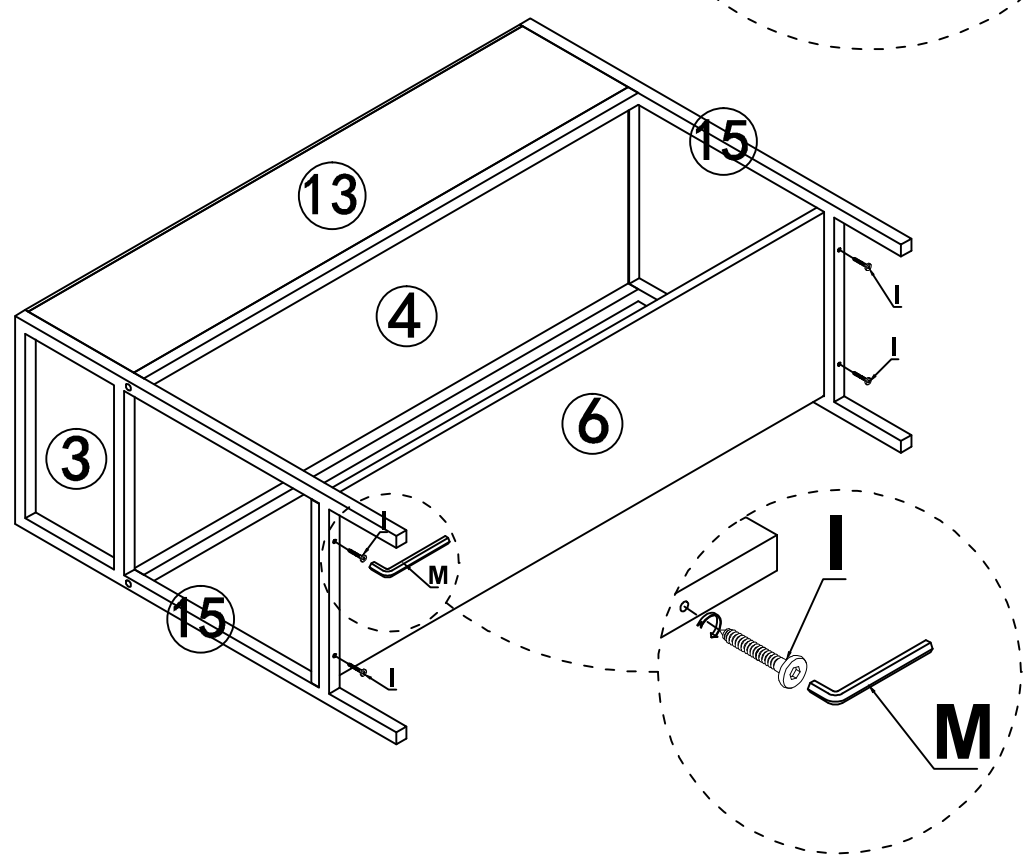
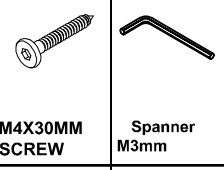


K=1 M=1



Step 8

I=4 M=1



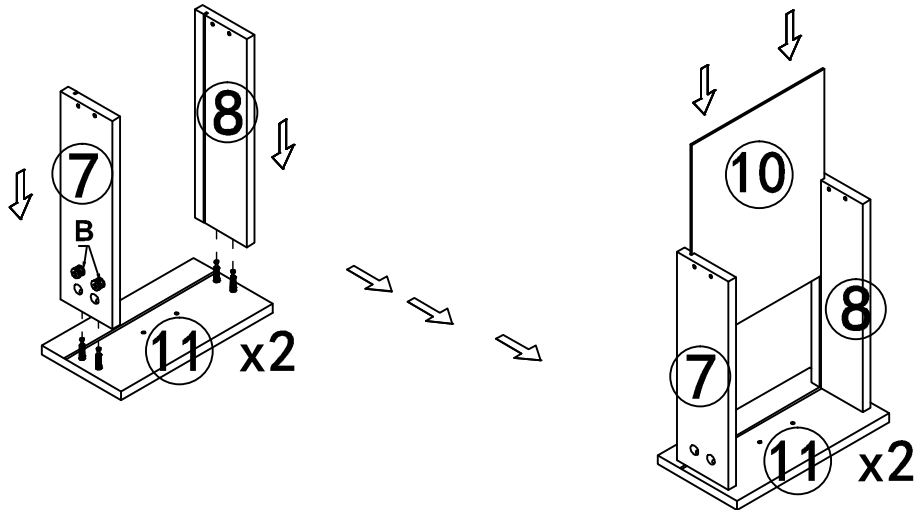
Assembly Instruction

Step 9

B=12



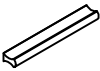
Lock
M15*12



Step 10

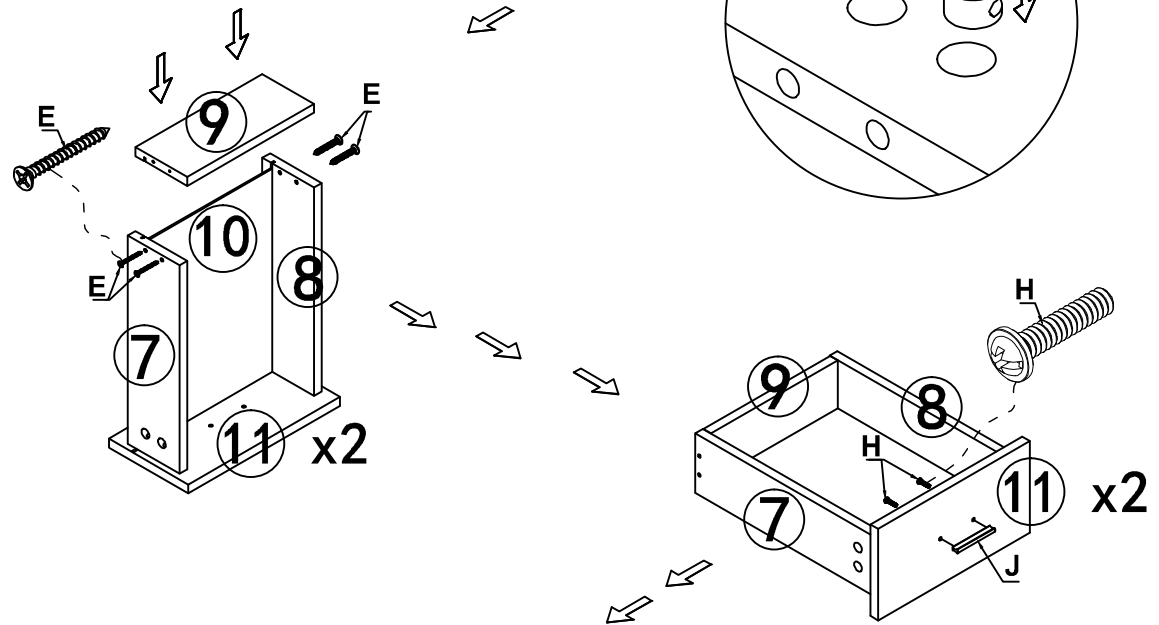
J=2

H=4



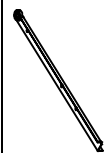
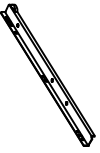
Handles
L96mm

Screw
M4*18



DR=2

DL=2



Drawer
Runner

Drawer
Runner

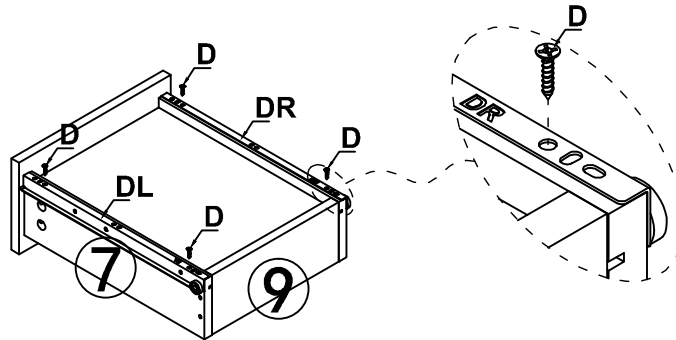
E=8

D=8



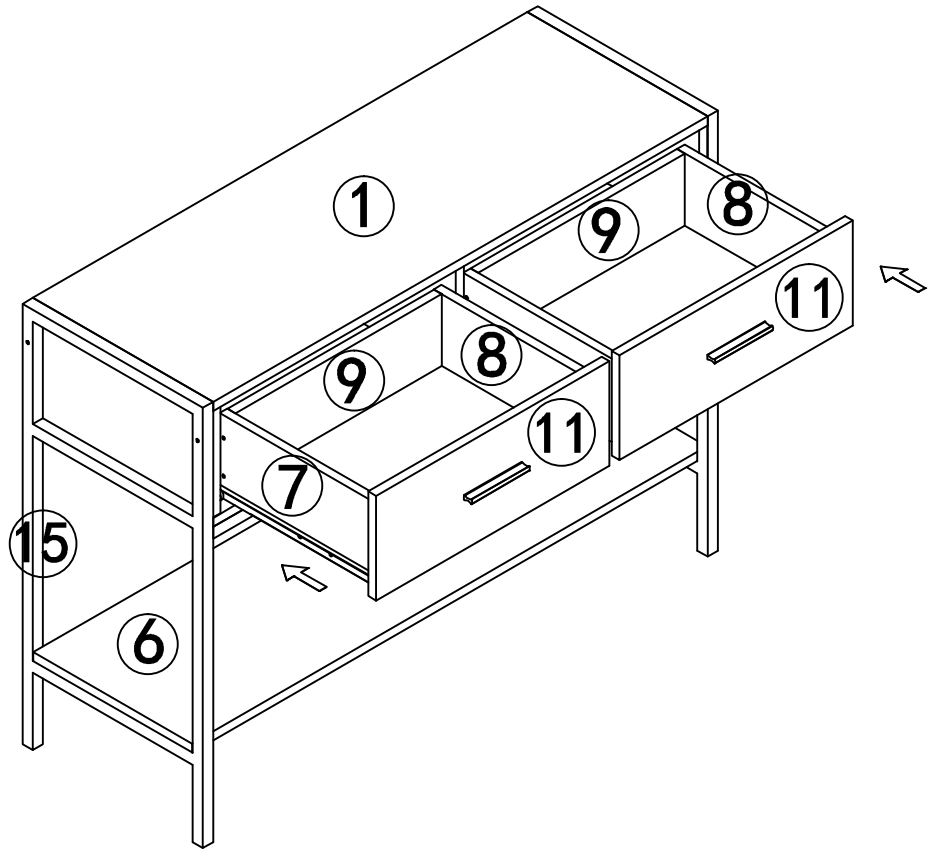
Screw
M4*38

Screw

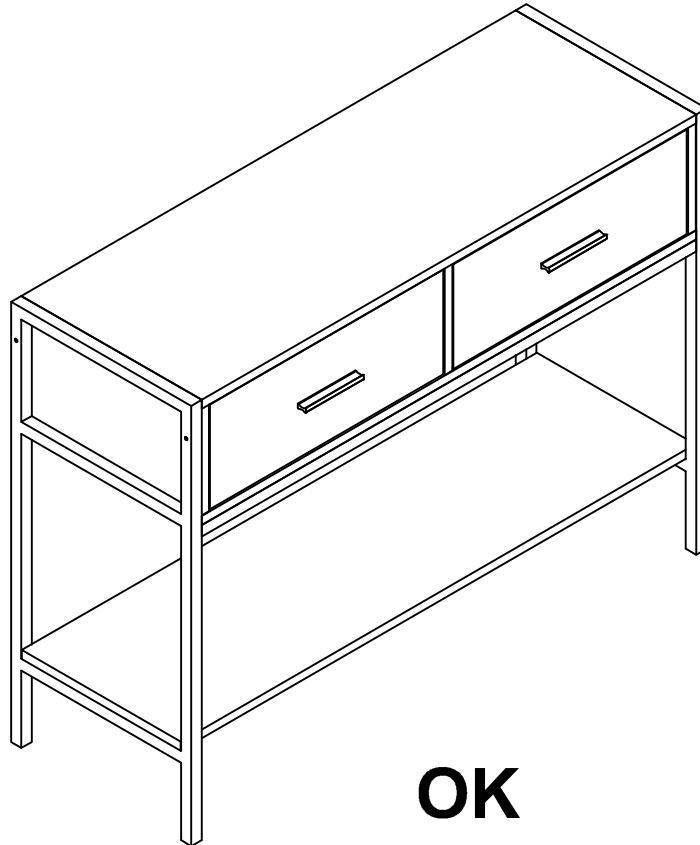


Assembly Instruction

Step 11



Step 12



OK