

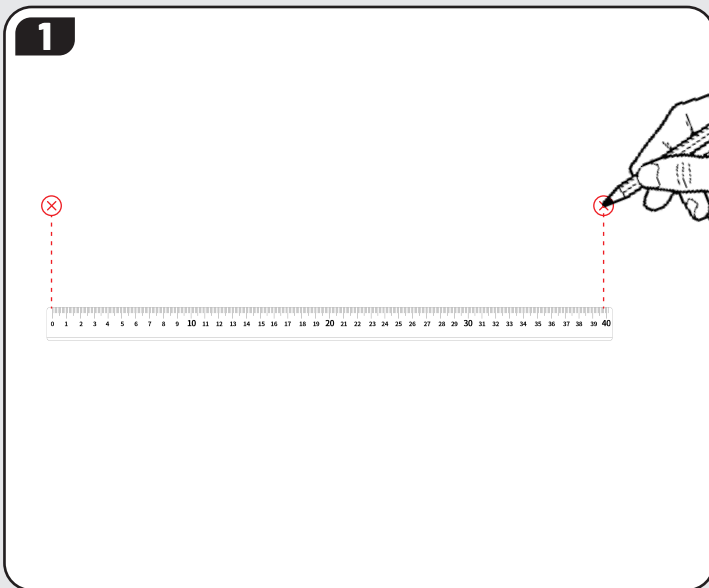
1 Tools Ready

1 Expansion screws*3

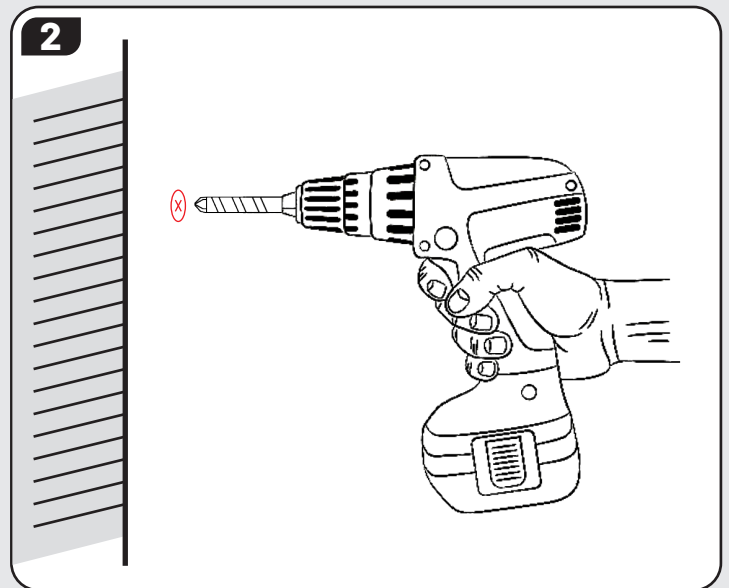
2 Screws*3



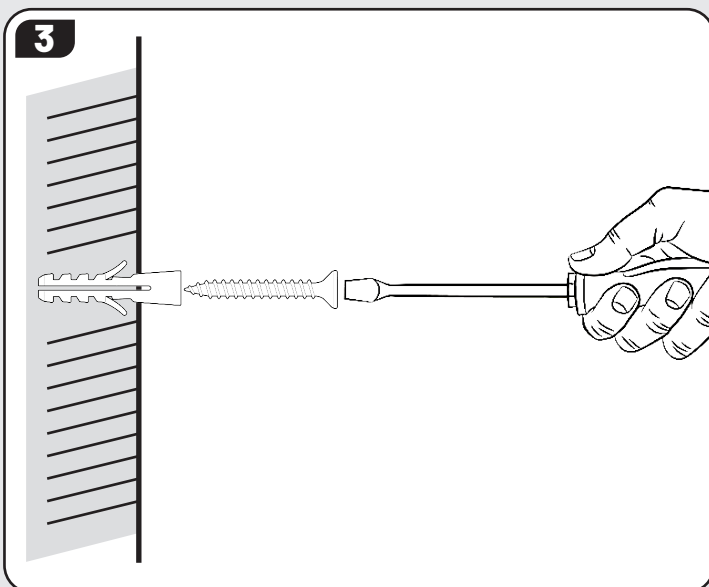
2 Mirror installation steps



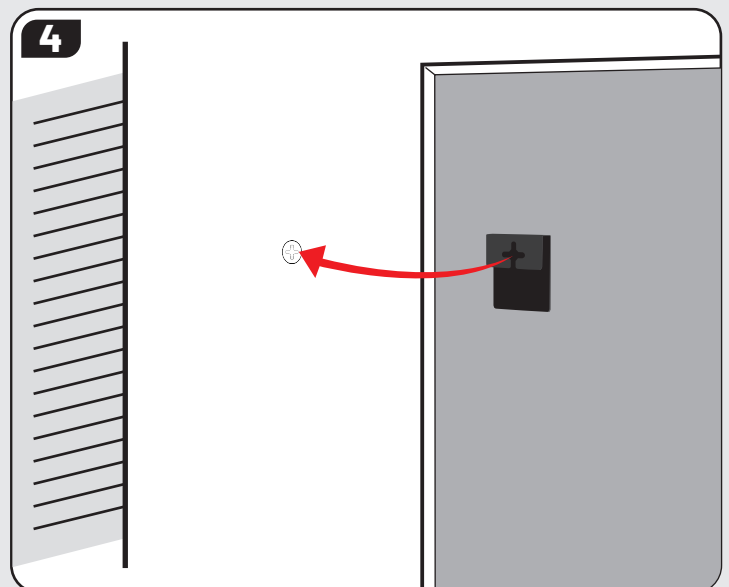
1. Measure the distance between the mounting holes on the back of the mirror and mark the distance on the wall.



2. Drill 0.23~0.31 inches diameter and 1.98 inches deep holes on the wall as arranged position.



3. Put the plastic expansion screw into the holes.

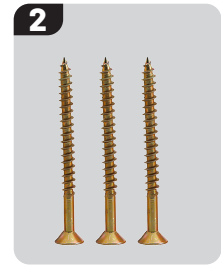


4. Put the metal screws into the plastic expansion screws and hang the mirror onto the wall.

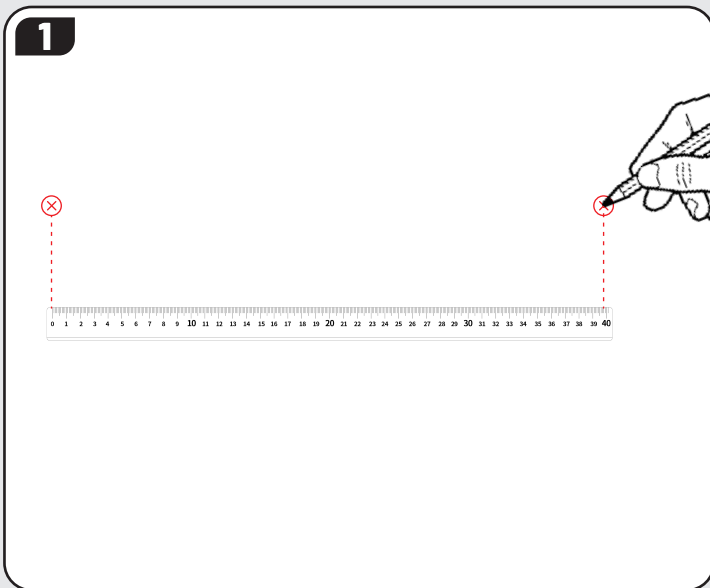
1 Tools Ready

1 Expansion screws*3

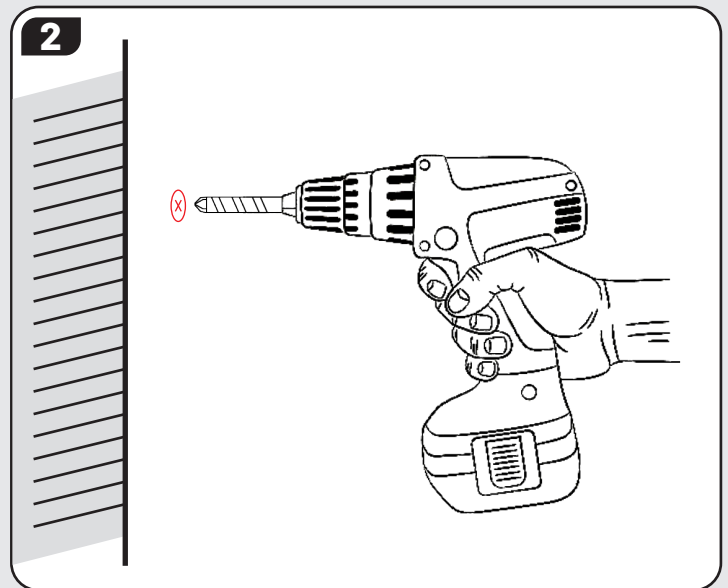
2 Screws*3



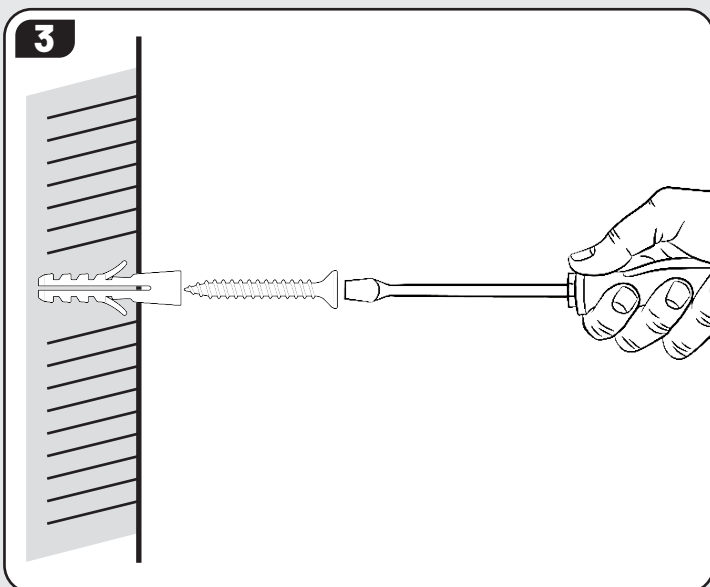
2 Mirror installation steps



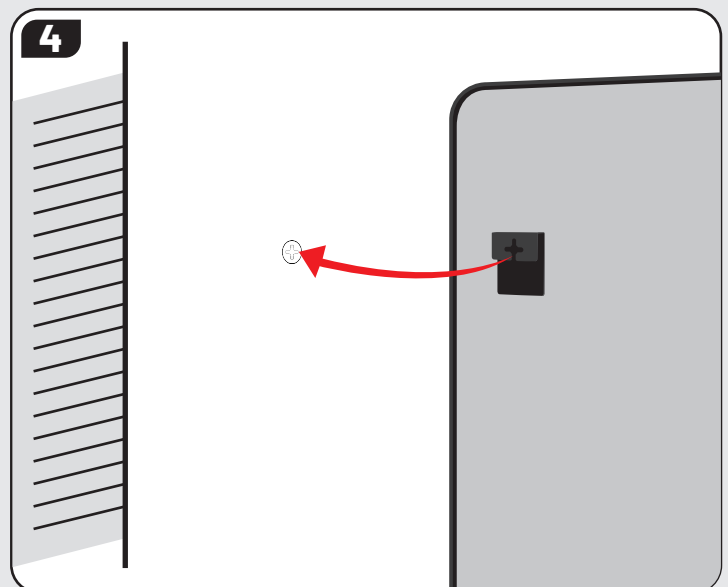
1. Measure the distance between the mounting holes on the back of the mirror and mark the distance on the wall.



2. Drill 0.23~0.31 inches diameter and 1.98 inches deep holes on the wall as arranged position.



3. Put the plastic expansion screw into the holes.



4. Put the metal screws into the plastic expansion screws and hang the mirror onto the wall.