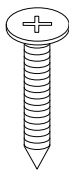


x 1

B



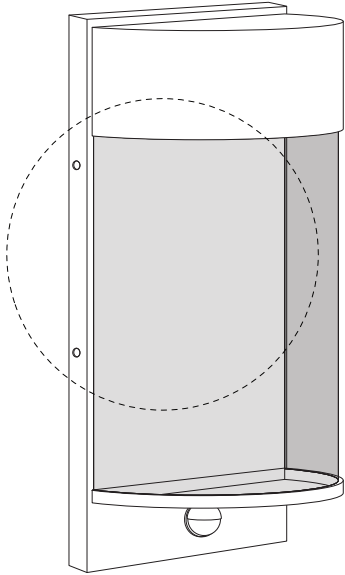
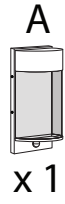
x 4

C



x 4

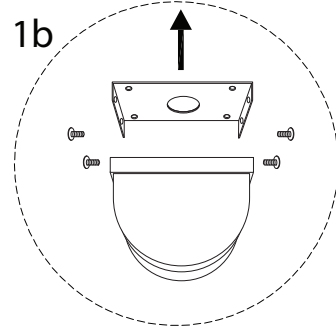
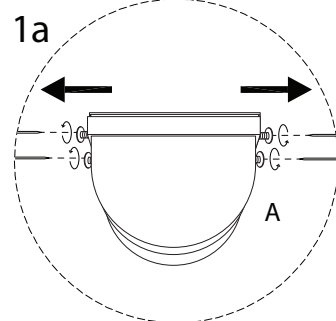
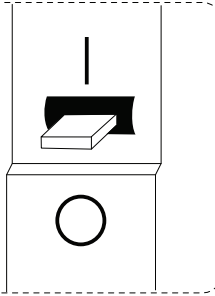
1



A



OFF



2

