












# Assembly Instructions

Caution: You must read this before you proceed

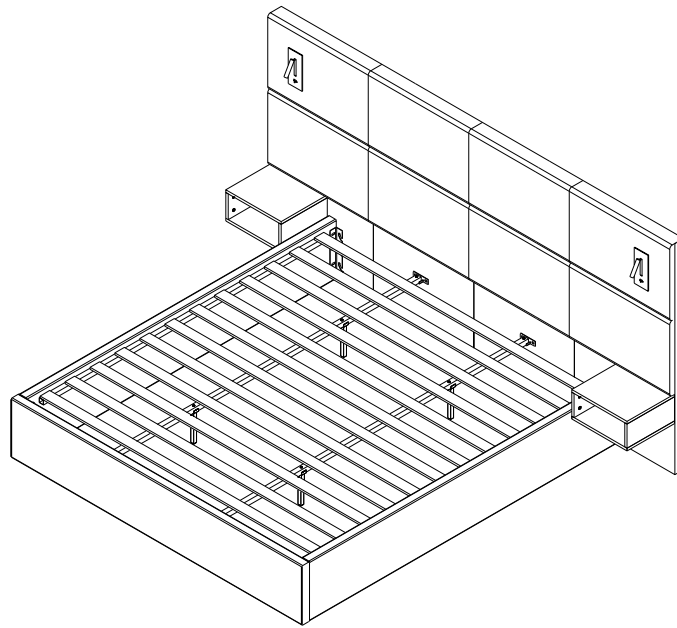
## Care & Maintenance

⊘ 	<ul style="list-style-type: none"><li>• Not for commercial use. For residential use only.</li></ul>
✓ 	<ul style="list-style-type: none"><li>• Furniture may scratch floors. We recommend using furniture pads to protect your floors.</li></ul>
⊘ 	<ul style="list-style-type: none"><li>• Do not put hot items directly on furniture surface.</li></ul>
⊘ 	<ul style="list-style-type: none"><li>• Do not clean furniture with harsh cleansers or polish.</li></ul>
⊘ 	<ul style="list-style-type: none"><li>• Do not place furniture under direct sunlight.</li></ul>
⊘ 	<ul style="list-style-type: none"><li>• Do not place furniture near heating or cooling vents.</li></ul>
⊘ 	<ul style="list-style-type: none"><li>• Do not write on furniture without a padded barrier to protect the surface.</li></ul>
⊘ 	<ul style="list-style-type: none"><li>• Do not place furniture outside. For indoor use only.</li></ul>
⊘ 	<ul style="list-style-type: none"><li>• Stains may be removed with mild soap solution and damp cloth.</li></ul>
⊘ 	<ul style="list-style-type: none"><li>• Children should not climb or jump on the furniture.</li></ul>
✓ 	<ul style="list-style-type: none"><li>• Dust and pick-ups/spills using a clean, non-colored, lint-free cloth.</li></ul>

Please look in the box for hardware packs and legs.

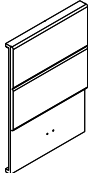
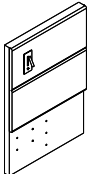
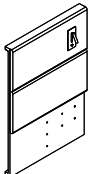

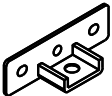
# Bed

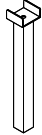
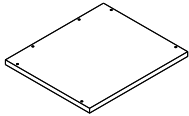
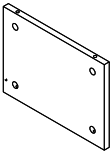
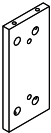
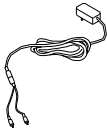
## N769P343384W / N769P343385W



### Parts List

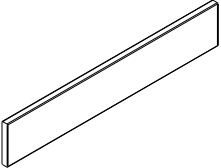
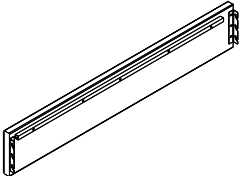
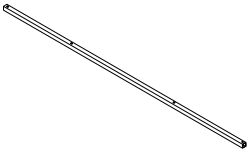
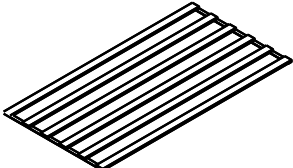
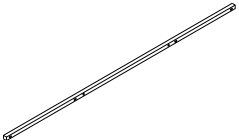
### N769P343384W

Label	Picture	Description	QTY
①		Headboard (1)	<b>2</b>
②		Headboard (2)	<b>1</b>
③		Headboard (3)	<b>1</b>
⑥		Bed legs	<b>10</b>
⑦		Center support bar fitting	<b>4</b>

<p><b>9</b></p>		<p>Middle support leg</p>	<p><b>4</b></p>
<p><b>11</b></p>		<p>Plank (11)</p>	<p><b>4</b></p>
<p><b>12</b></p>		<p>Plank (12)</p>	<p><b>4</b></p>
<p><b>13</b></p>		<p>Plank (13)</p>	<p><b>4</b></p>
<p><b>15</b></p>		<p>Adapter plug</p>	<p><b>1</b></p>

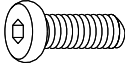
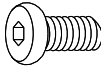
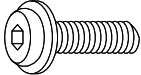
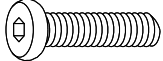


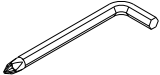
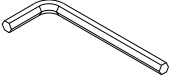

Parts List

N769P343385W

<p><b>4</b></p>		<p>Bed End</p>	<p><b>1</b></p>
<p><b>5</b></p>		<p>Side Rail</p>	<p><b>2</b></p>
<p><b>8</b></p>		<p>Center support bar</p>	<p><b>2</b></p>
<p><b>10</b></p>		<p>Slats</p>	<p><b>2</b></p>
<p><b>14</b></p>		<p>Headboard cross bar</p>	<p><b>3</b></p>

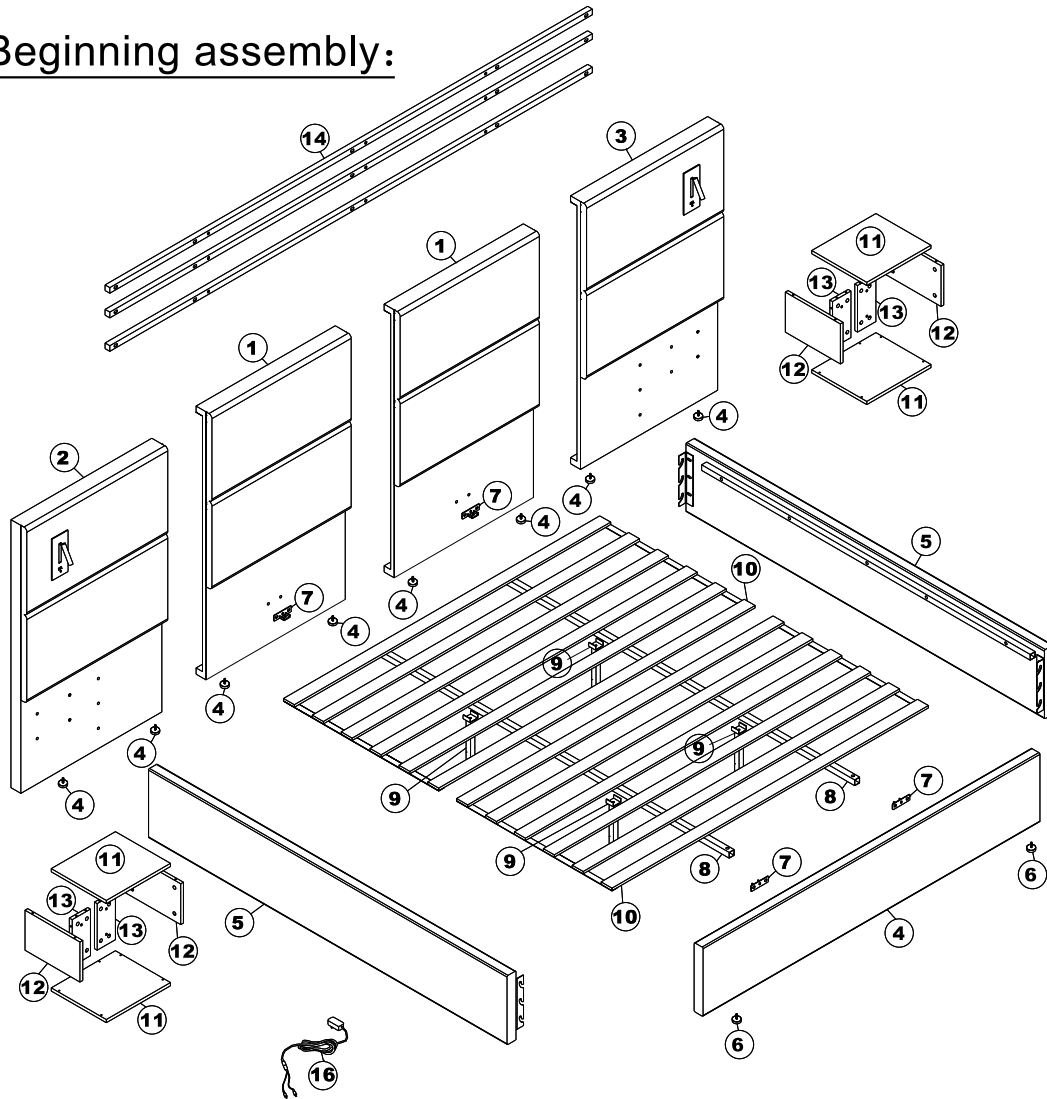
Hardware










## N769P343384W

Label	Picture	Description	QTY
<b>A</b>		Bolts (M6×35mm)	24
<b>B</b>		Bolts (M8×15mm)	8
<b>C</b>		Bolts (M8×25mm)	12
<b>D</b>		Bolts (M8×35mm)	16
<b>I</b>		3-in-1 bolt (M6×40mm)	32
<b>K</b>		3-in-1 bolt (Ø15x9.5mm)	32
<b>J</b>		Allen WrenchBolts(M5)	1
<b>L</b>		Allen WrenchBolts(M4)	1
<b>G</b>		Stickers	16

# Assembly Preparation

Before Beginning assembly:



- A**  x24    **B**  x8    **C**  x12
- D**  x16    **I**  x32    **K**  x32
- J**  x1    **L**  x1    **G**  x16



• Read instructions, cover to cover



• Have 2 adults on hand for assembly



• Do not assemble on flooring or carpet



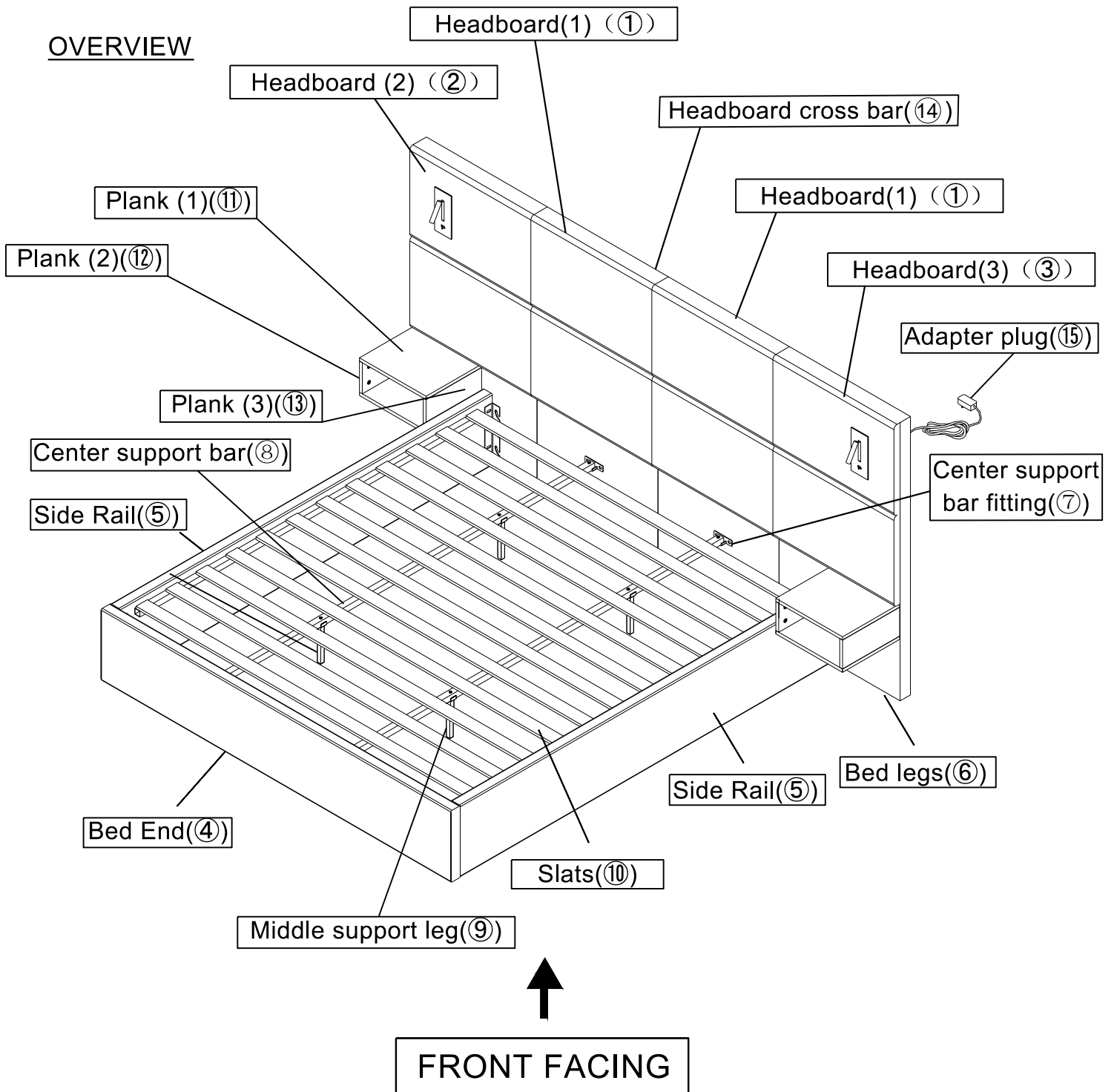
• Assemble on a clean non-marring surface (packing foam)



• Save all packaging until finished

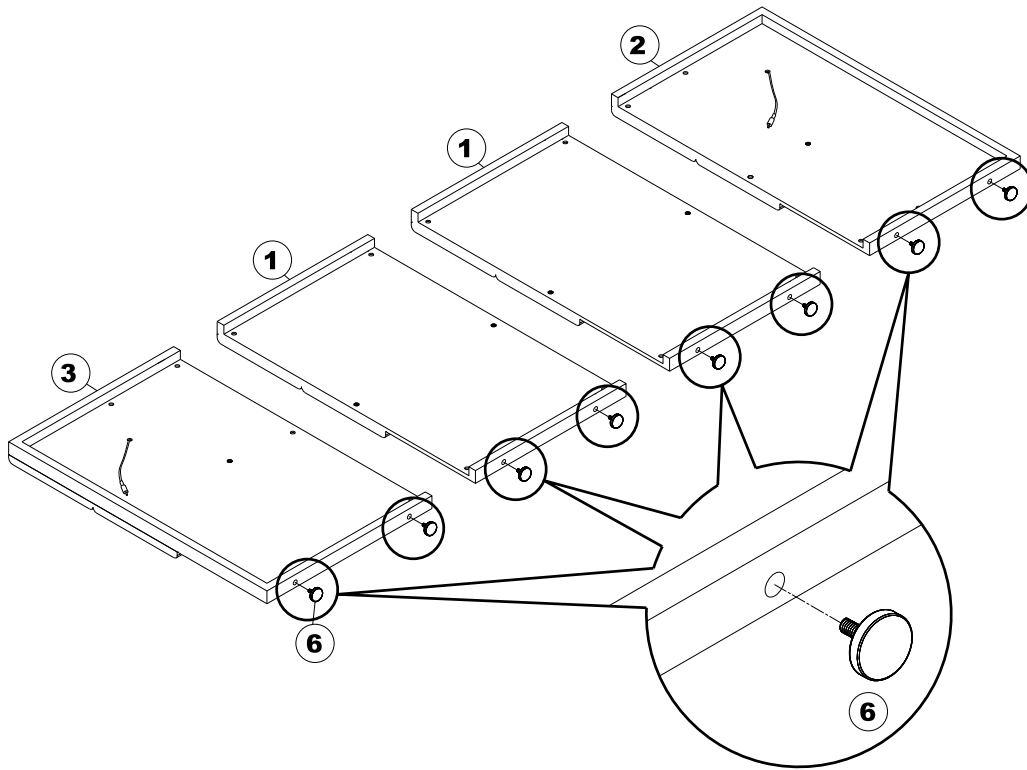
# Assembly Steps

## OVERVIEW



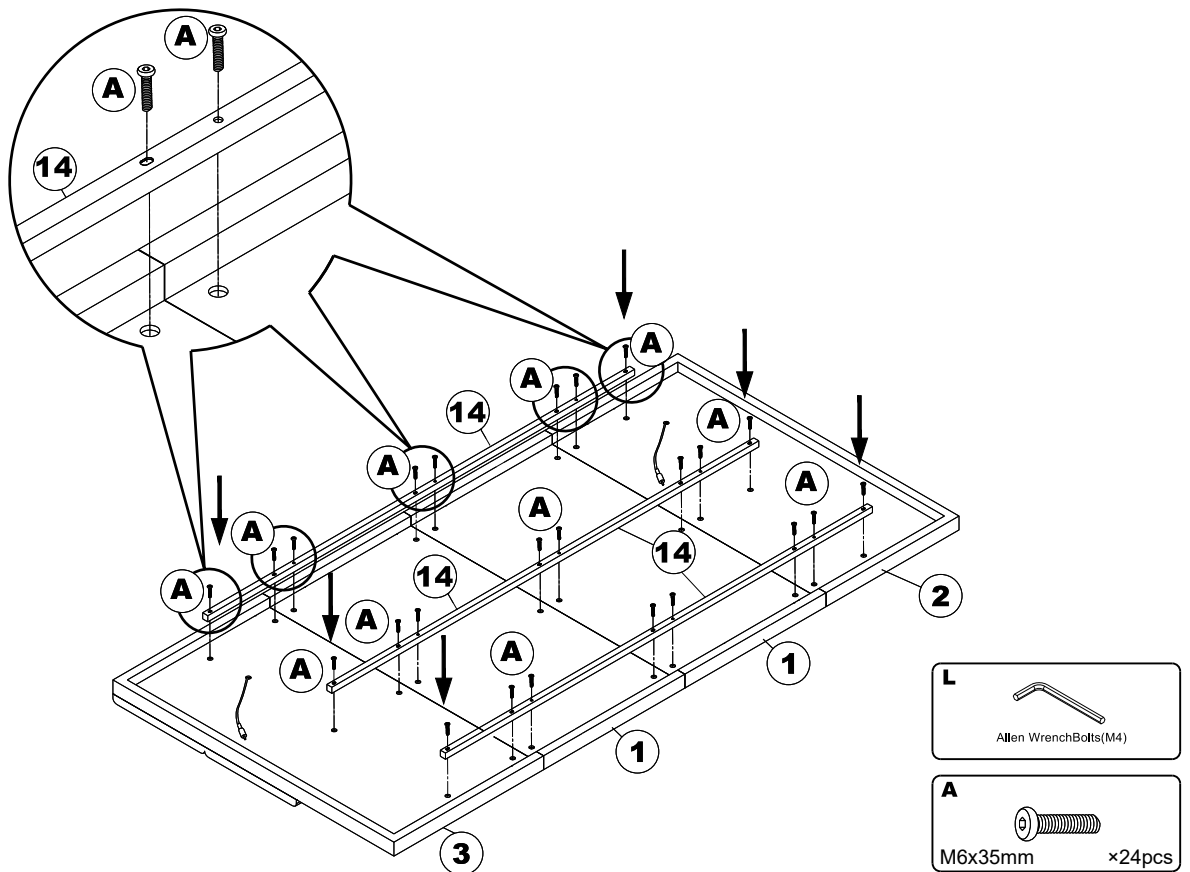
This Bed have multiple parts and may require up to 60 minutes to assemble. To give you an overview of the Bed parts, the above picture is to help you put the various parts into perspective. Please read through the instructions below to familiarise yourself with the parts and steps before assembly. Note: It is recommended that you have an adult partner to assist during the entire assembly process.

# Step1:



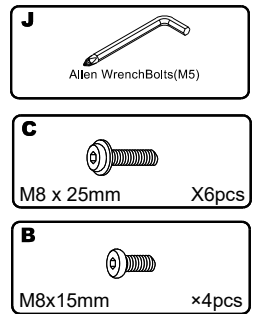
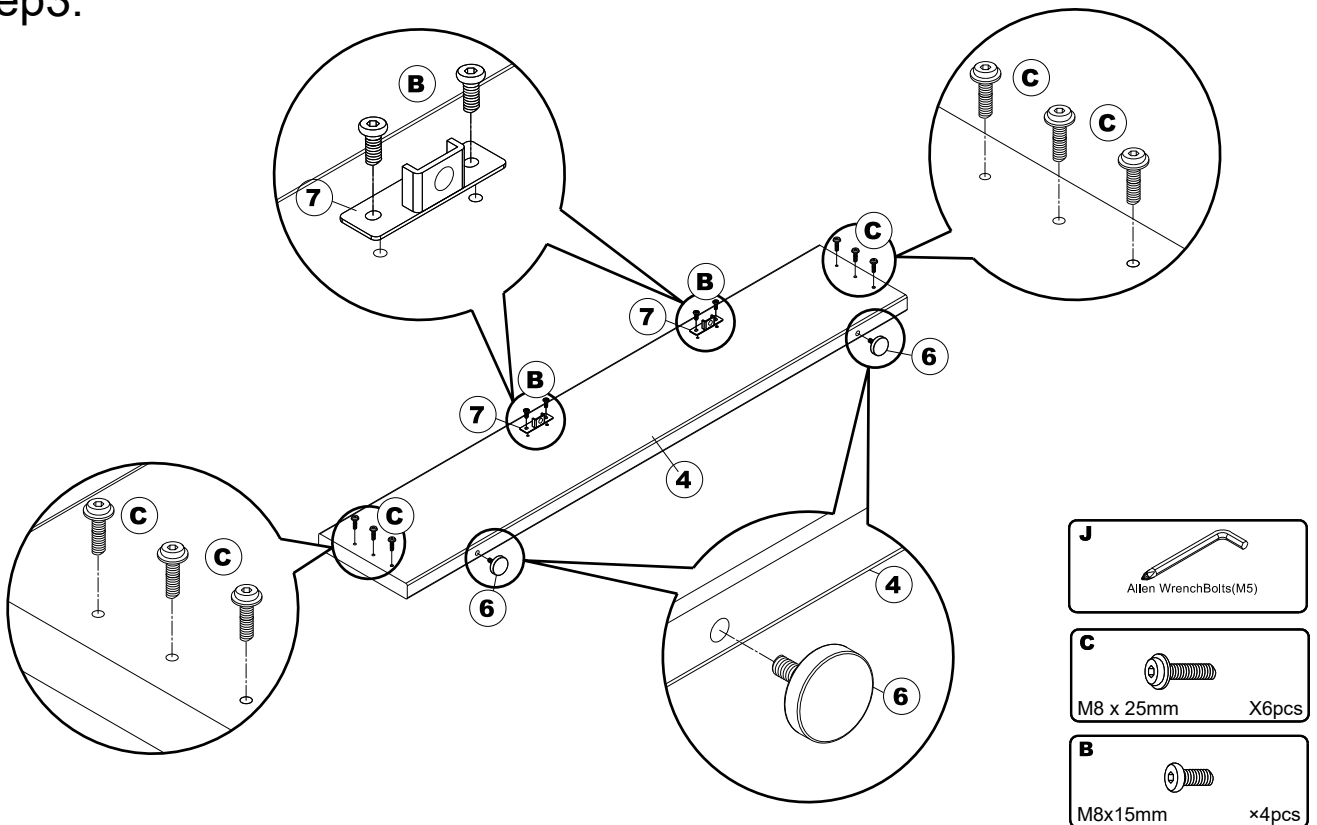
Attach Bed legs(6) into Headboard(1),(2),(3).

# Step2:



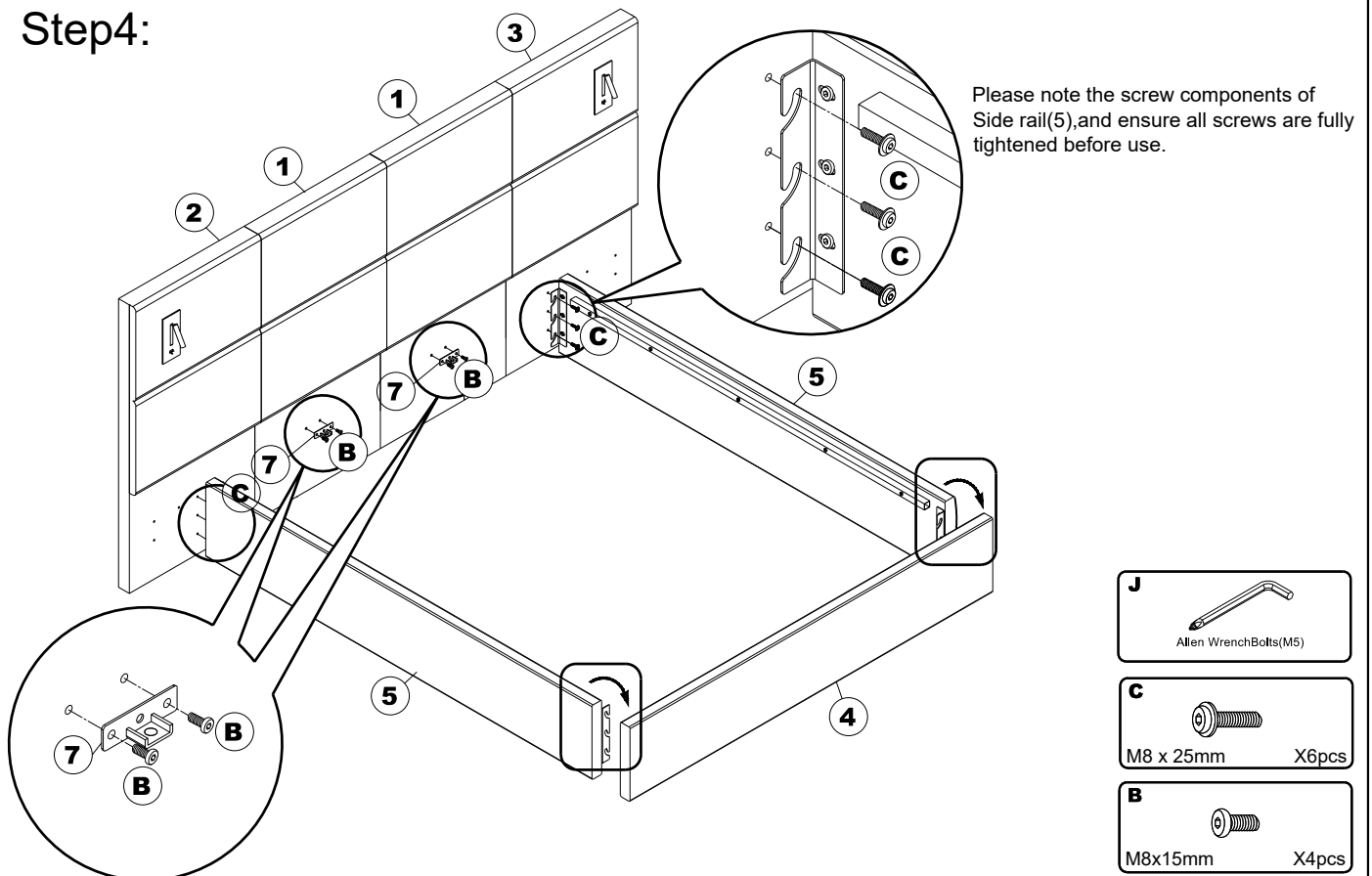
Attach Headboard cross bar(14) to Headboard(1),(2),(3) with Bolts (A) by using Allen wrench (L).

### Step3:

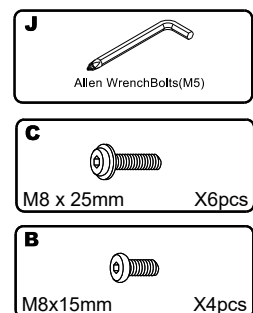


Attach Center support bar fitting(7)to Bed end(4) with Bolts (B) by using Allen wrench (J).  
Attach Bed legs(6)and Bolts(C)into Bed end(4).

### Step4:

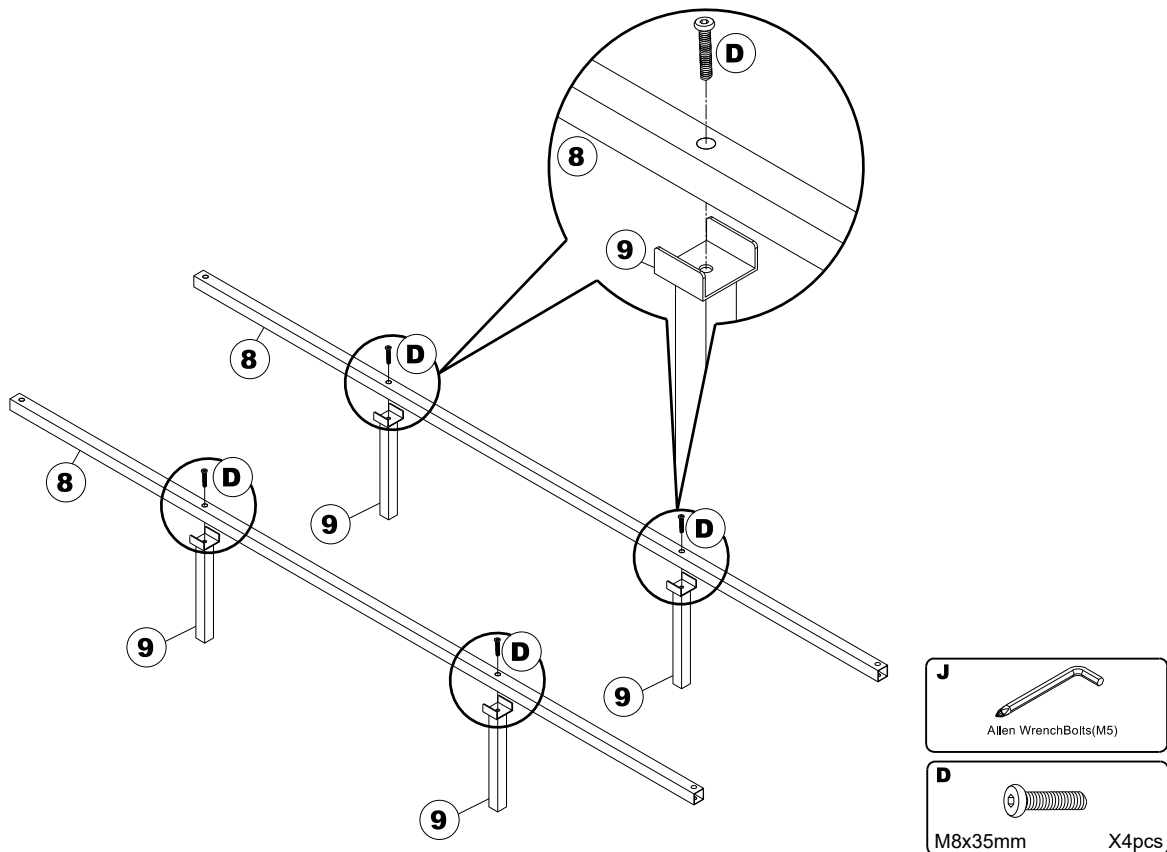


Please note the screw components of Side rail(5),and ensure all screws are fully tightened before use.



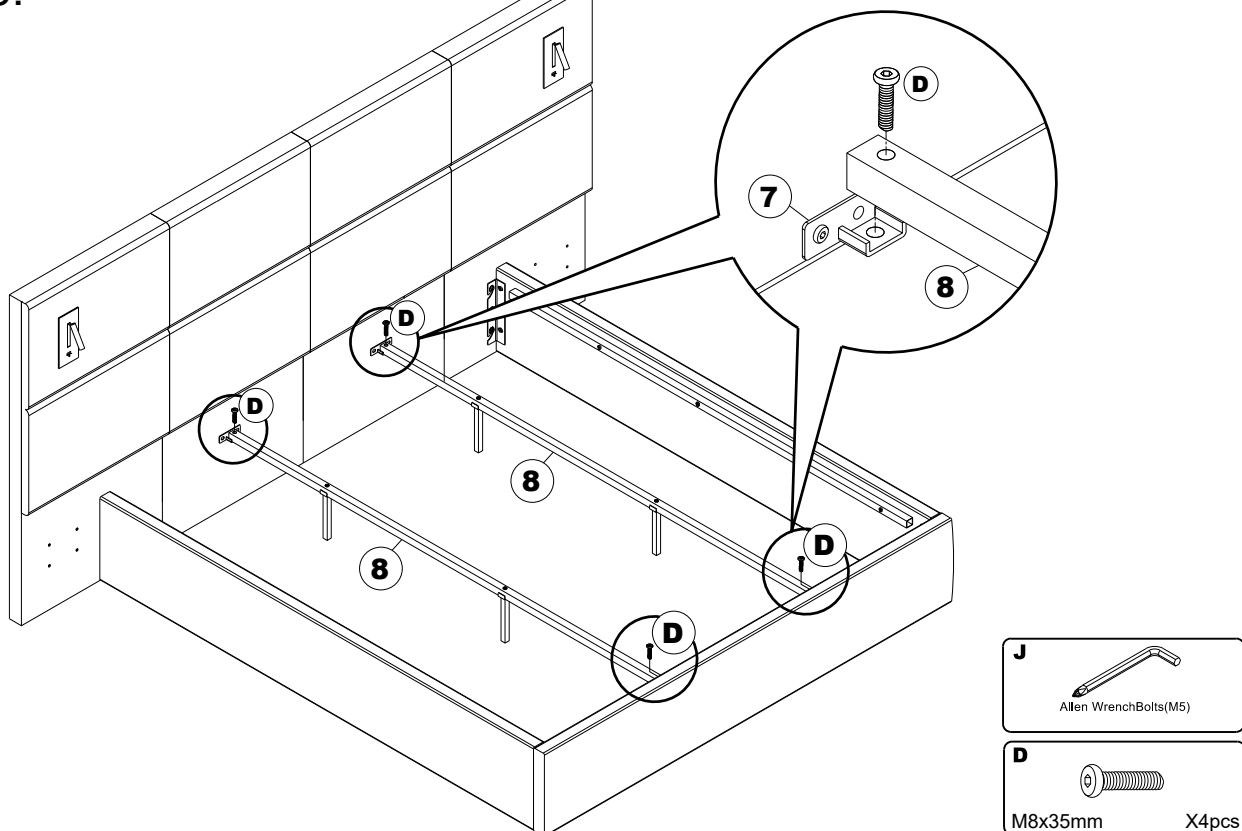
Attach Side rail(5)to Headboard(2),(3)and Bed end(4) with Hinge and Bolts(C) by using Allen wrench (J).  
And attach Center support bar fitting(7)to the Headboard(1) with Bolts (B) by using Allen wrench (J).

## Step5:



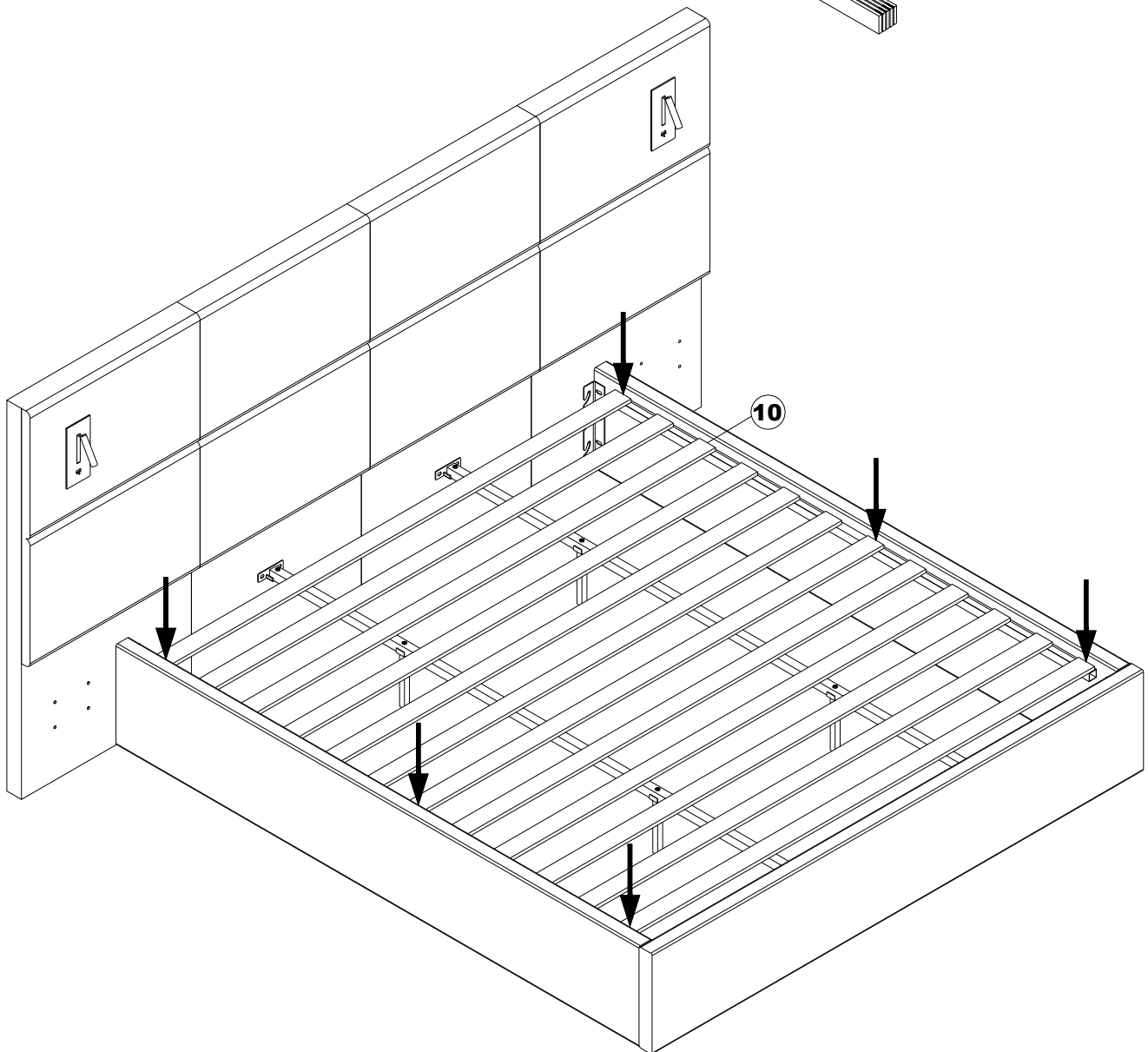
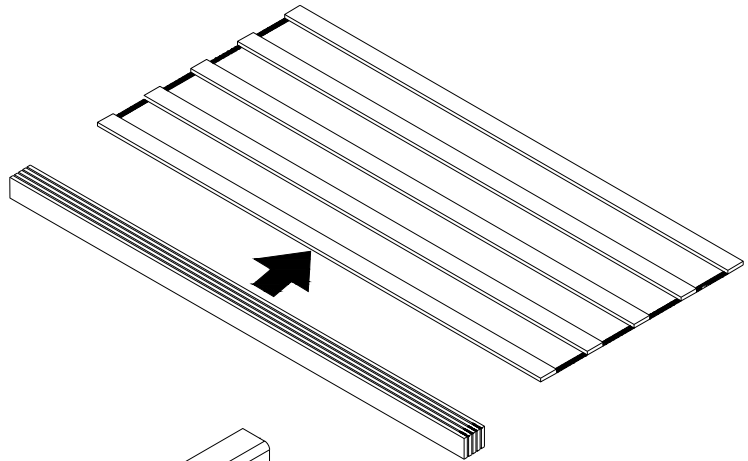
Attach Middle support legs(9)to Center support bar(8)with Bolts (D) by using Allen Wrench (J).

## Step6:



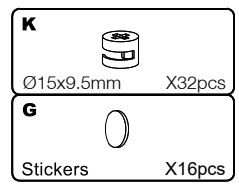
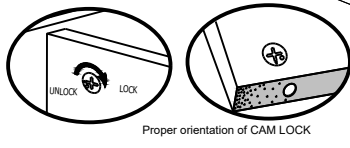
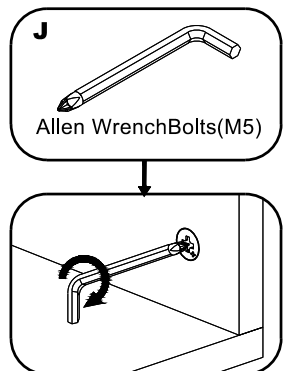
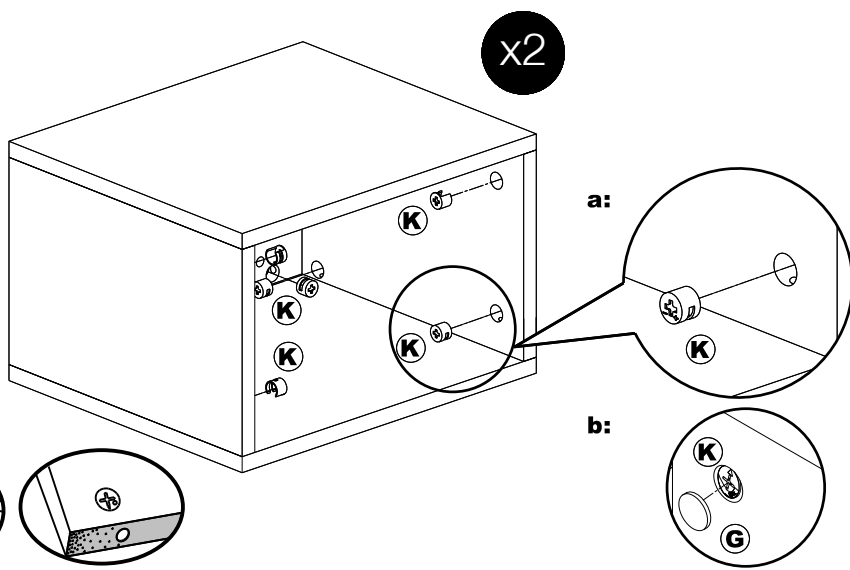
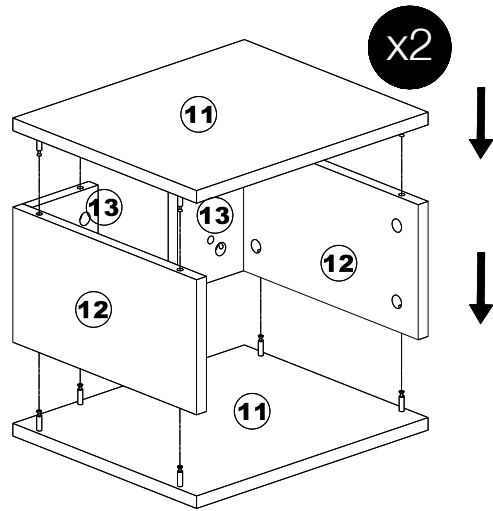
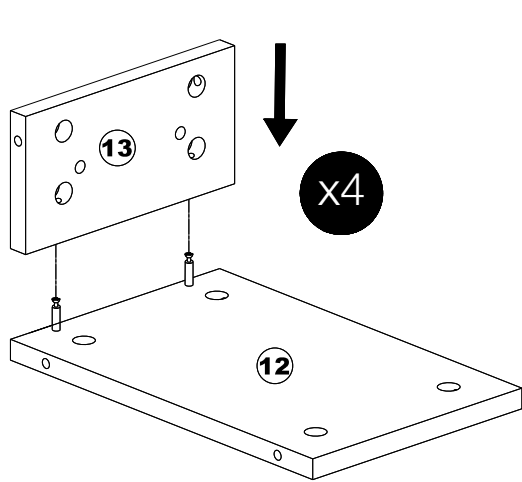
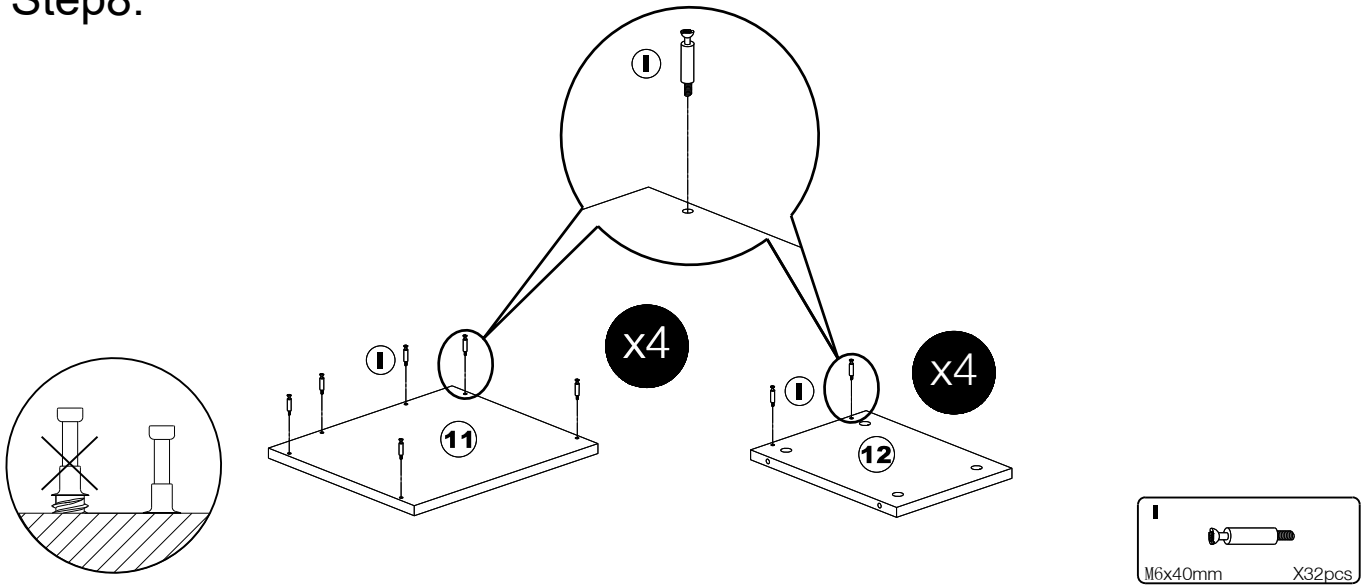
Attach Center support bar(8) to Headboard(1)and Bed end(4) with Bolts(D) by using Allen wrench (J).

# Step7:



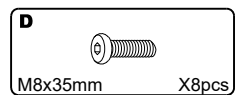
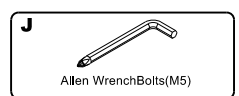
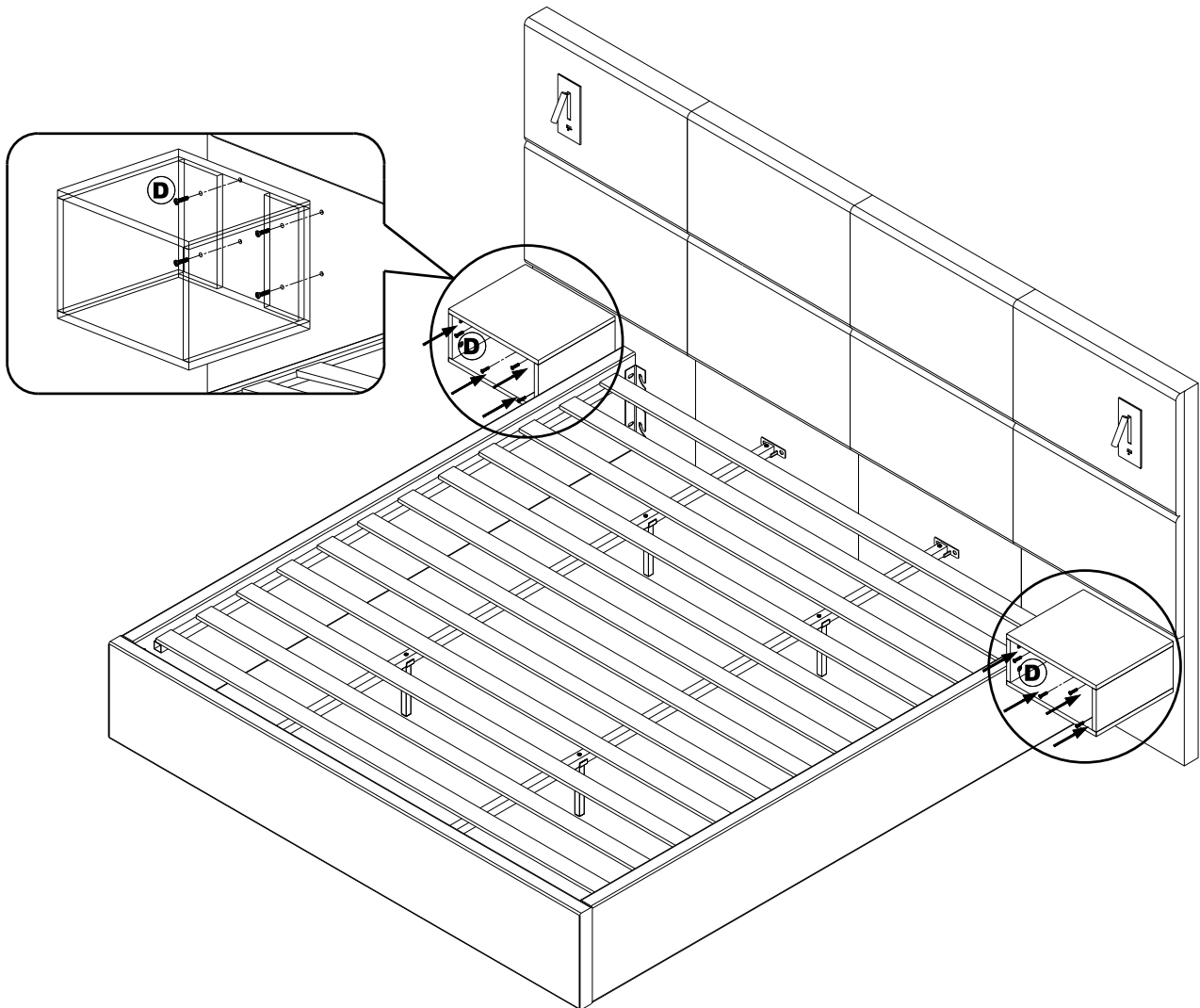
Attach Slats(10) by using magic tape.

# Step8:



The Headboard table plank assembly is shown in the picture above.

# Step9:



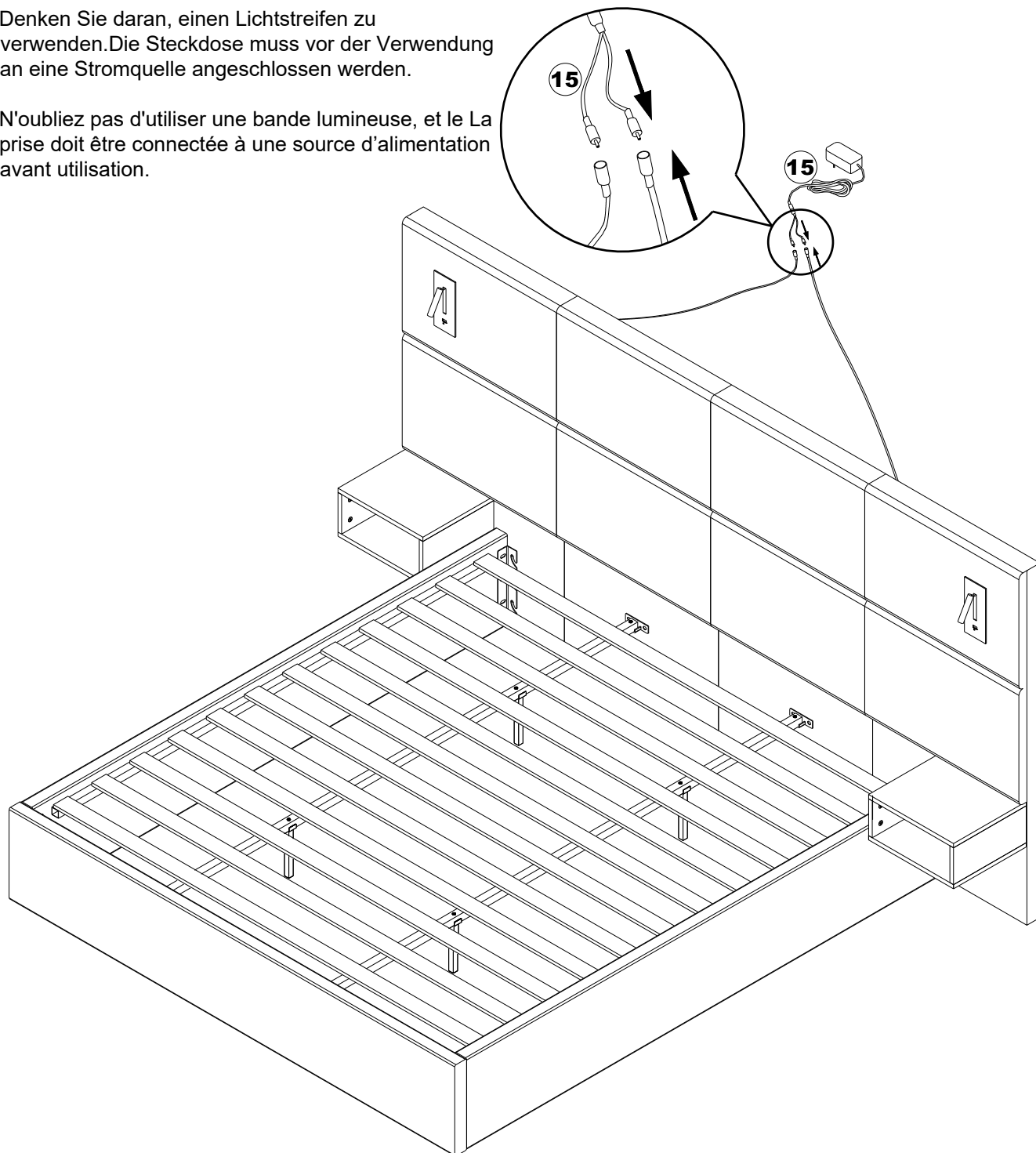
Attach table plank to Headboard(2),(3) with Bolts(D) by using by using Allen wrench (J).

## Step10:

Remember to use a light strip, and the socket must be connected to a power source before use.

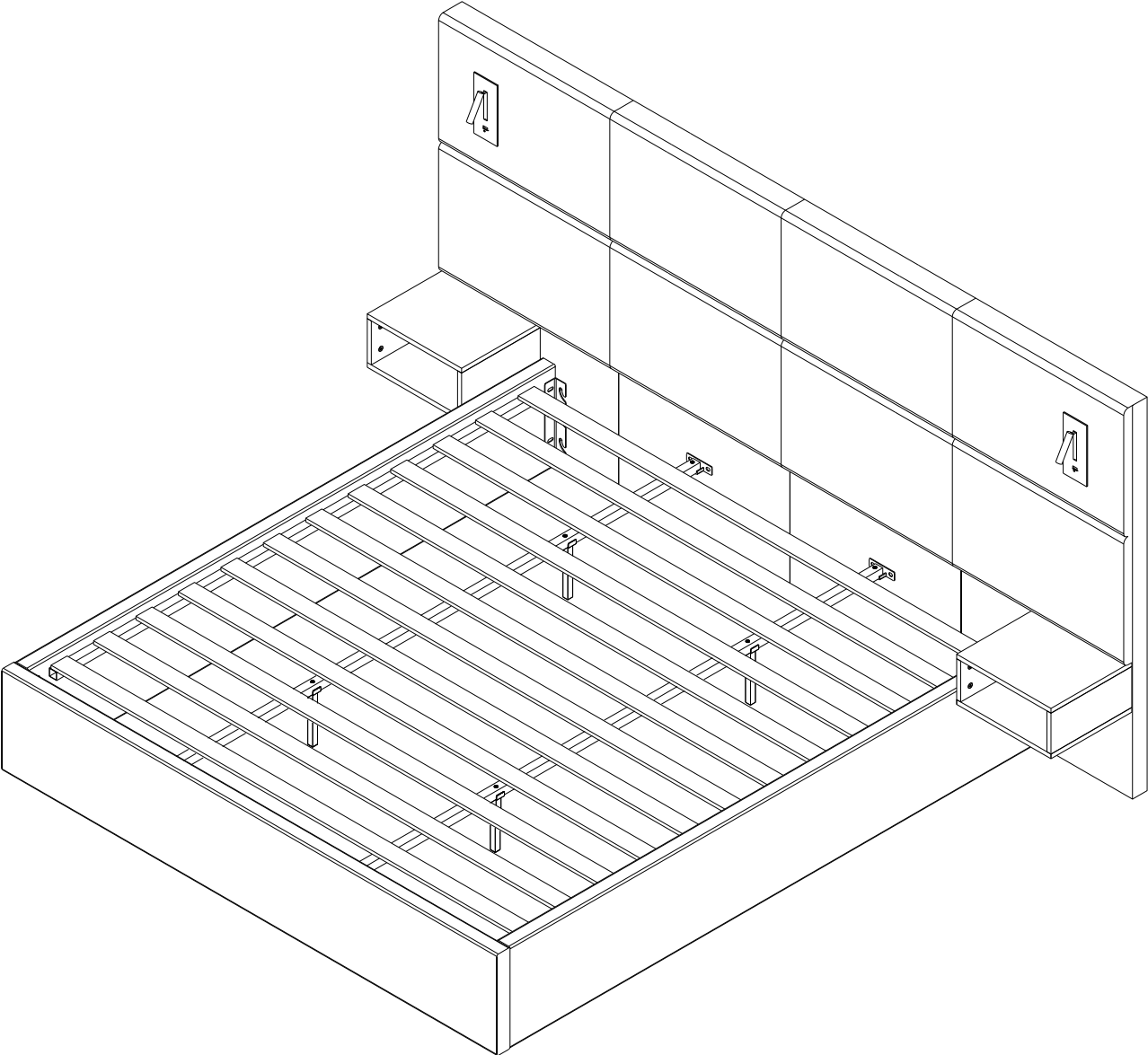
Denken Sie daran, einen Lichtstreifen zu verwenden. Die Steckdose muss vor der Verwendung an eine Stromquelle angeschlossen werden.

N'oubliez pas d'utiliser une bande lumineuse, et la prise doit être connectée à une source d'alimentation avant utilisation.



Attach Adapter plug to the line of Headboard(2),(3), plugged in the power supply to test whether the headboard lamp is energized.

Installation Complete



Your Bed is ready for use.  
This Bed can only be used on a flat, level surface.