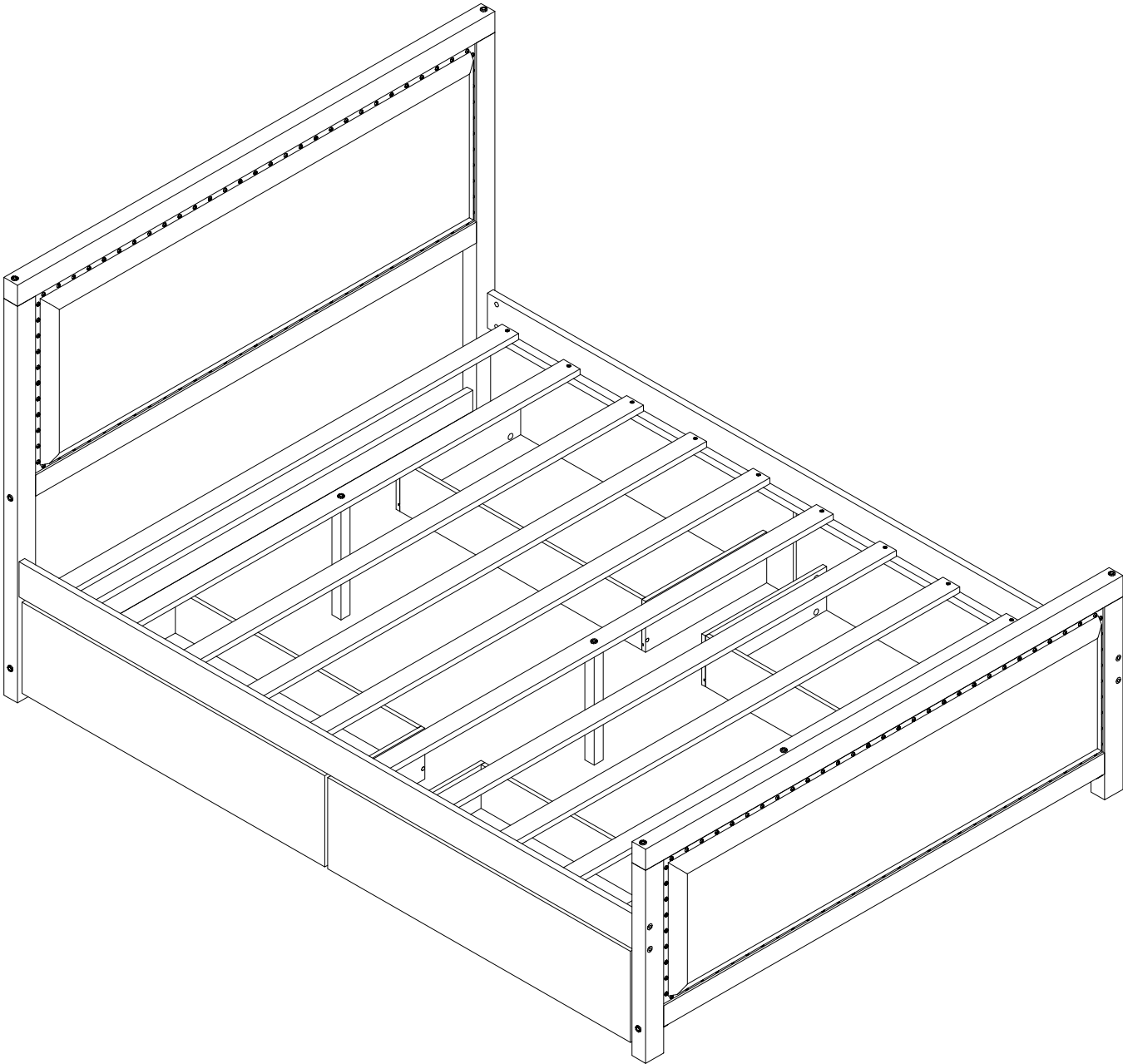
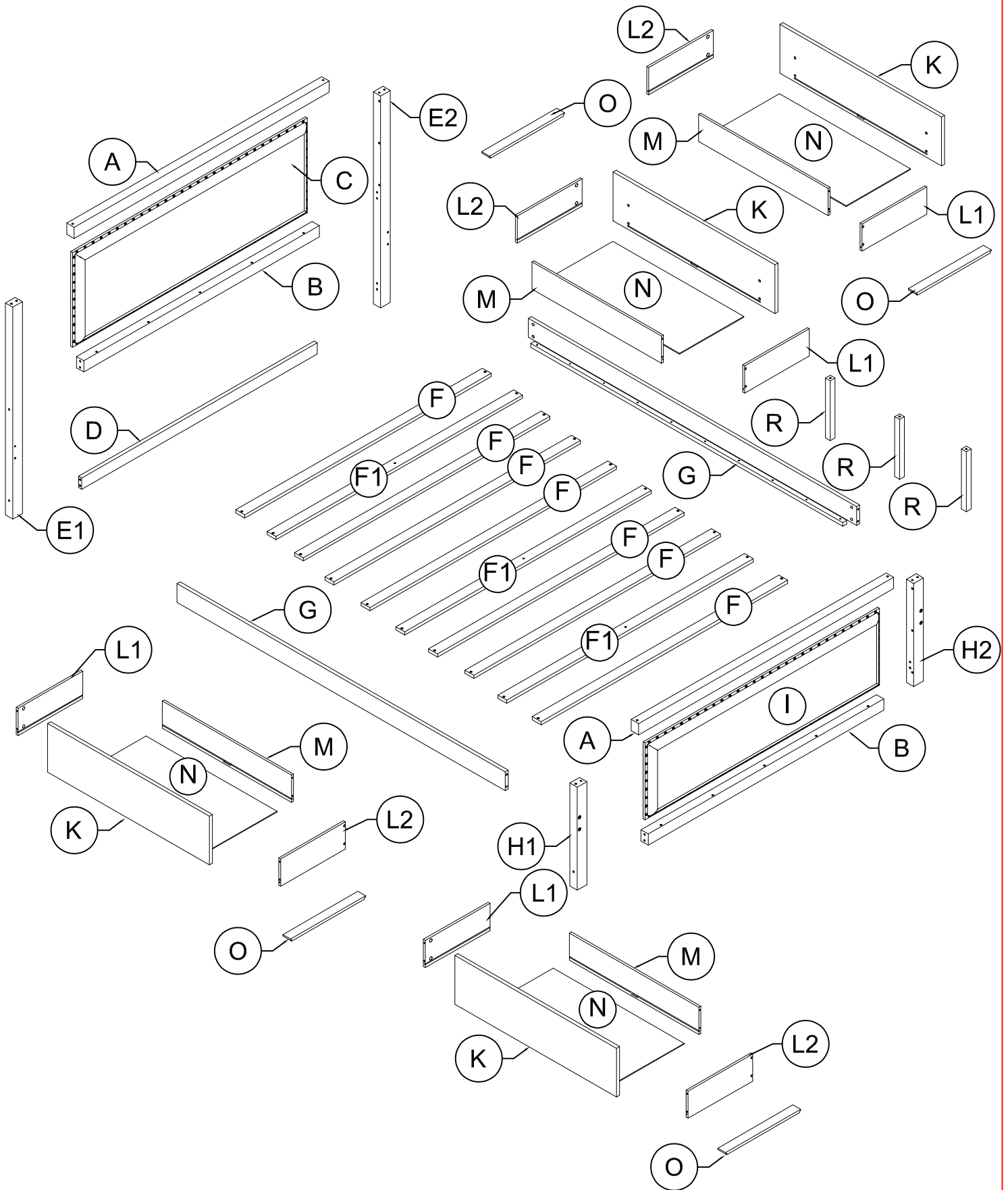


ASSEMBLY INSTRUCTION

SKU CODE: (WF314487-WF314488)

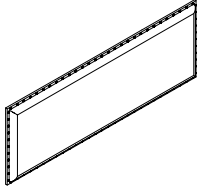


ASSEMBLY INSTRUCTION



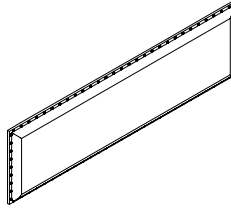
Part List (WF314487)

C



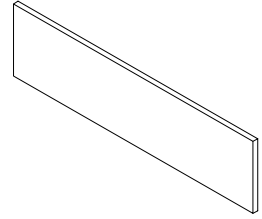
HB Frames - 1pc

I



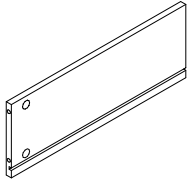
FB Frames - 1pc

K



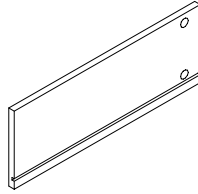
Drawers - Font Panel - 4pcs

L1



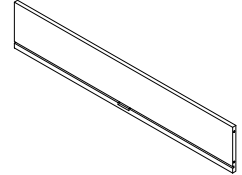
Drawers - Side Panel (Left) - 4pcs

L2



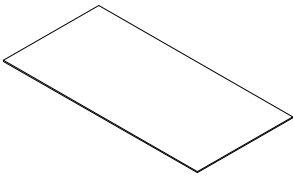
Drawers - Side Panel (Right) - 4pcs

M



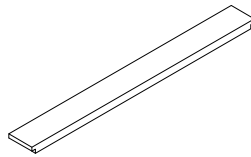
Drawers - Back Panel - 4pcs

N



Drawers - Bottom Panel - 4pcs

O



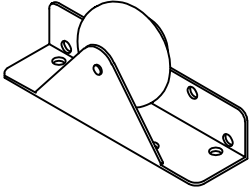


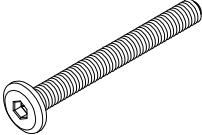
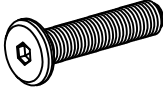
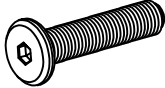


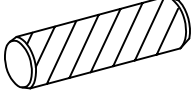
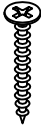


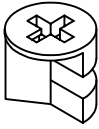
Drawers - Support Bottom - 4pcs

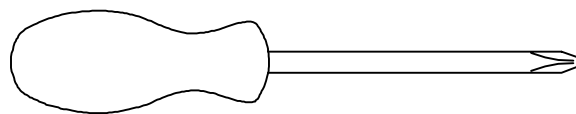
R



Support Leg - 3pcs

Hardware List (WF314487)

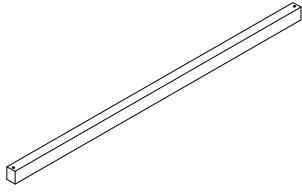
<p>1</p>  <p>Wheels 16pcs</p>	<p>2</p>  <p>Allen Key 1pc</p>	<p>3</p>  <p>1/4" x 15mm Sleeve Nut 18pcs</p>
<p>4</p>  <p>1/4" x 100mm Hex-Head bolts 10pcs</p>	<p>5</p>  <p>1/4" x 80mm Hex-Head bolts 8pcs</p>	<p>6</p>  <p>1/4" x 30mm Hex-Head bolts 3pcs</p>
<p>7</p>  <p>Plastic Drawer Stopped 8pcs</p>	<p>8</p>  <p>Steel Bracket 20pcs</p>	<p>9</p>  <p>Ø8 x 30mm Wood Dowel 42pcs</p>
<p>10</p>  <p>M4 x 30 mm Wood Screws 36pcs</p>	<p>11</p>  <p>M4 x 15 mm Wood Screws 80pcs</p>	<p>12</p>  <p>Links 1 - 16pcs</p>
<p>13</p>  <p>Links 2 - 16pcs</p>		



Assembly Tools Required (Not Included)

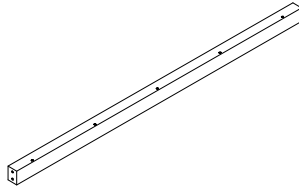
Part List (WF314488)

A



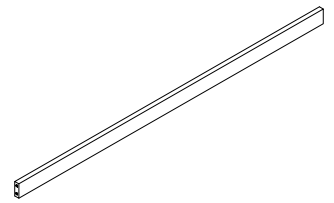
Cross Bar - 2pcs

B



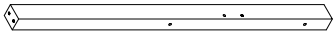
Cross Bar - 2pcs

D



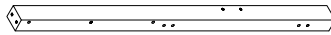
Cross Bar - 1pc

E1



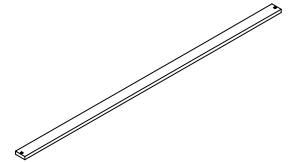
Legs - 1pc

E2



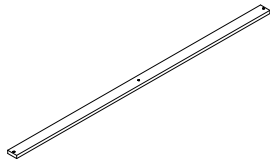
Legs - 1pc

F



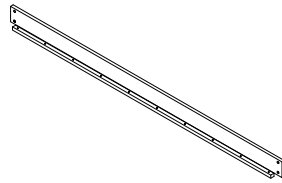
Slats - 7pcs

F1



Slats - 3pcs

G



Side Rails - 2pcs

H1



Legs - 1pc

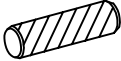
H2



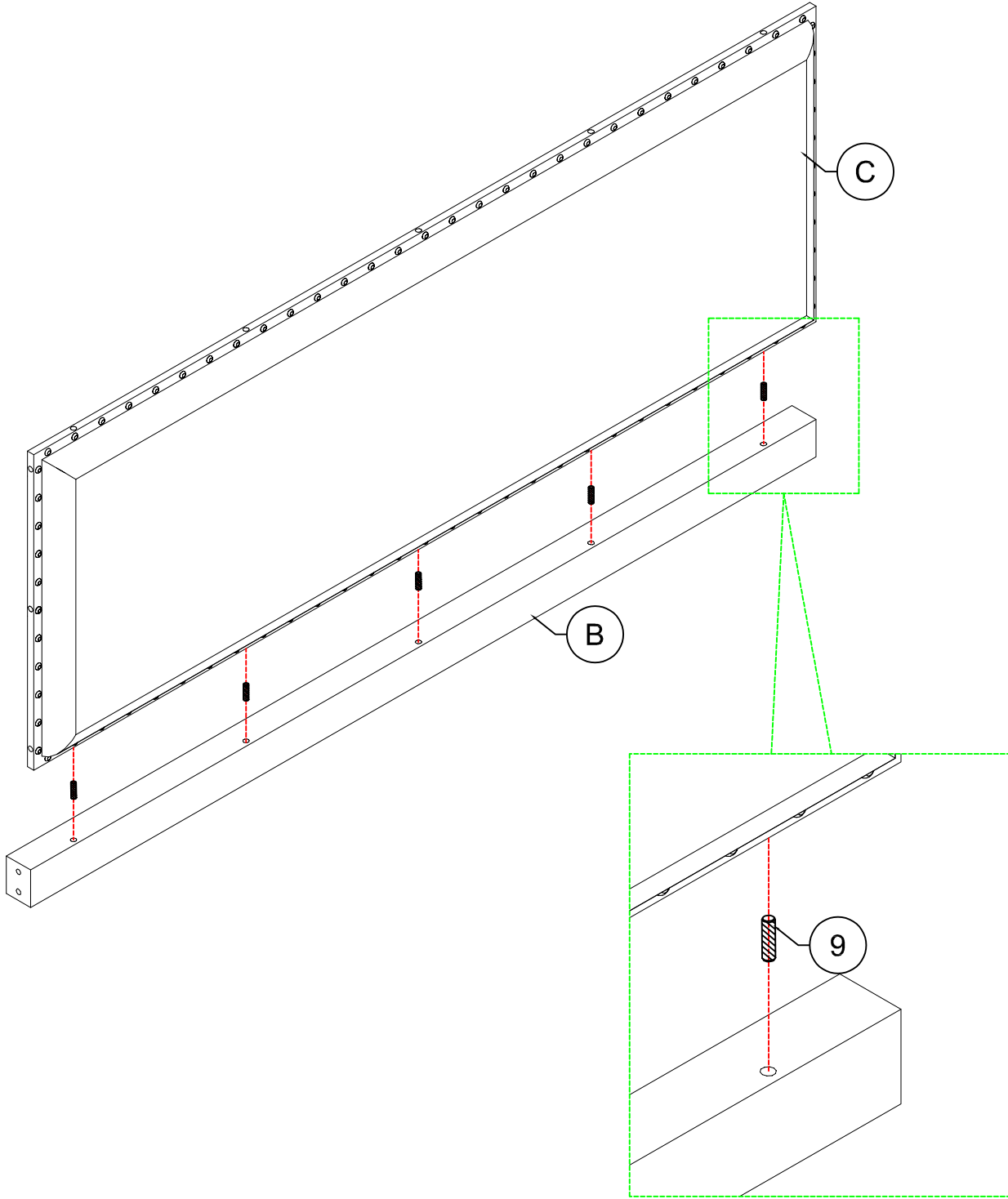
Legs - 1pc

STEP 1: Following below illustration:


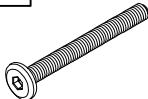
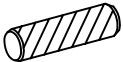
9

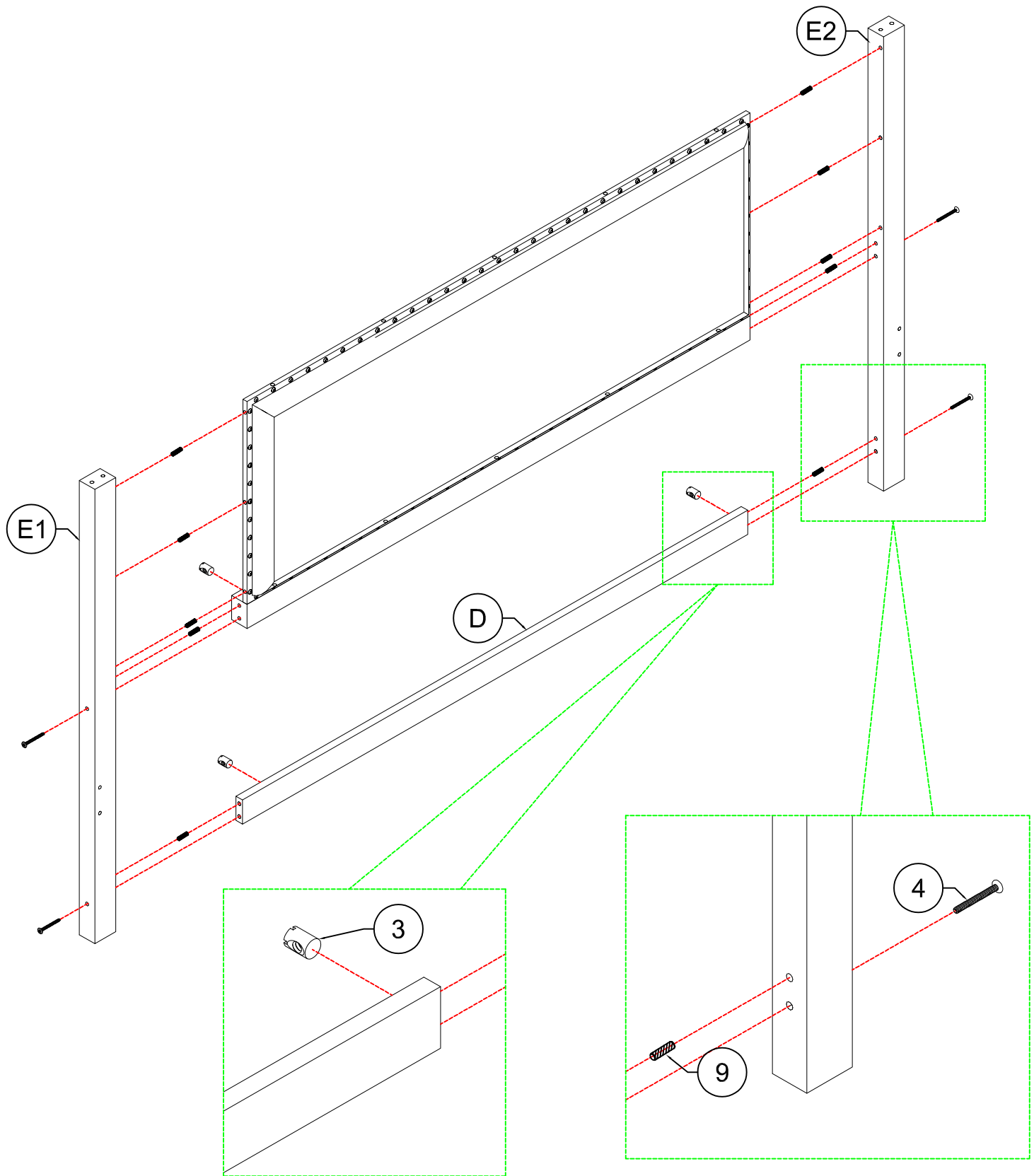


5pcs


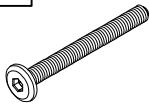
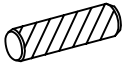


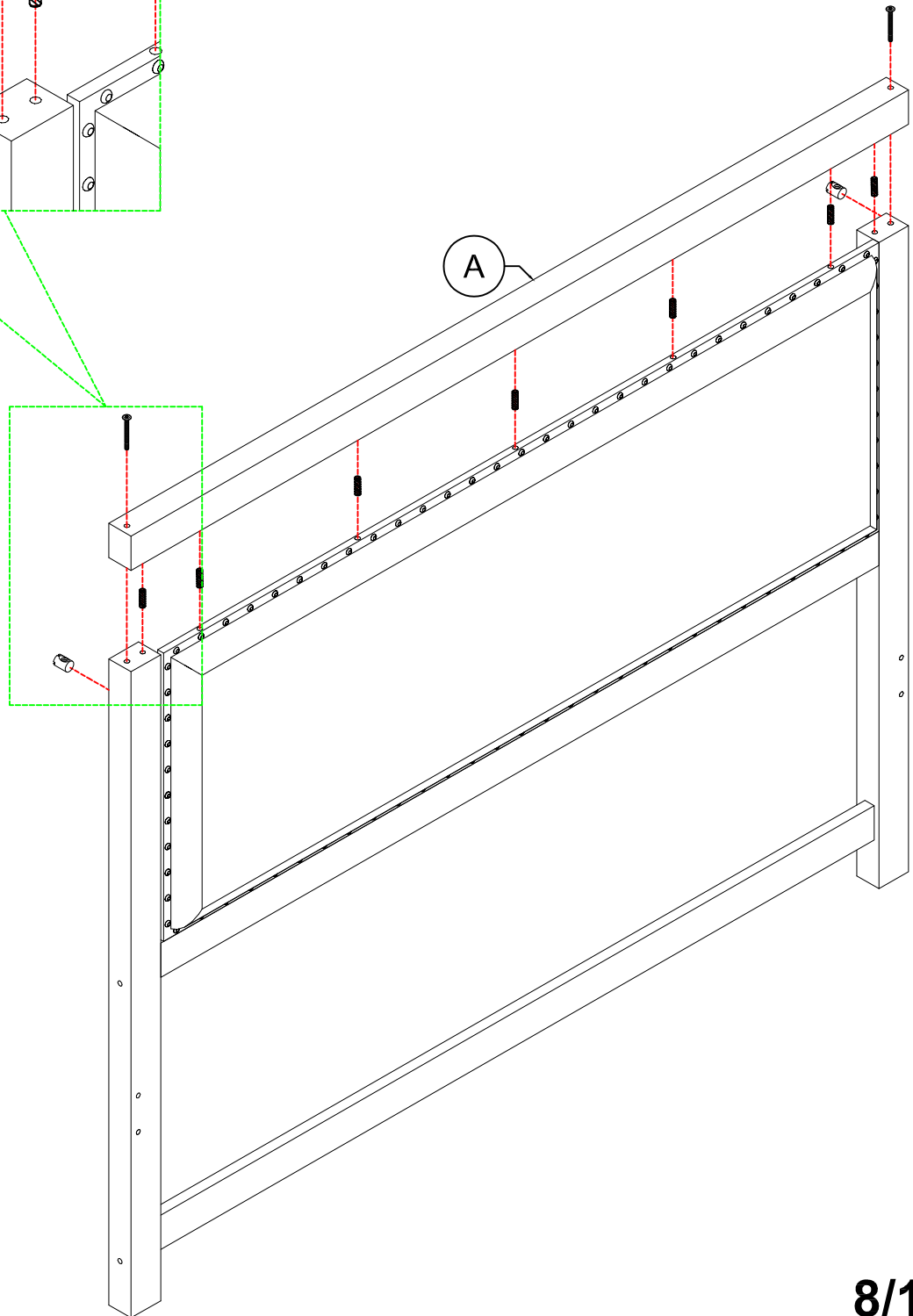
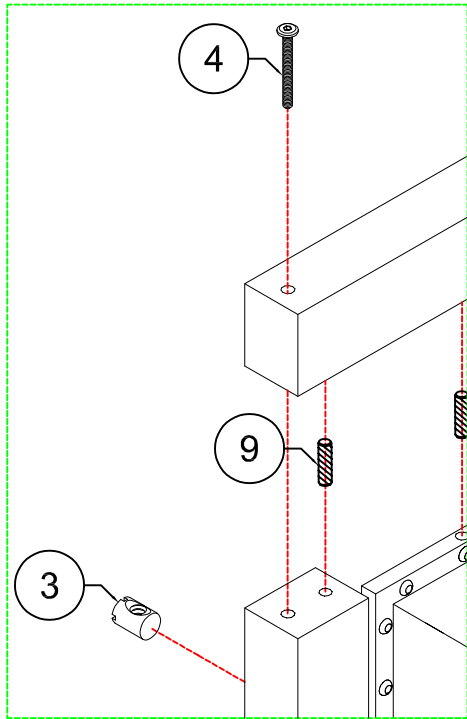
STEP 2: Following below illustration:

3	4	9
		
4pcs	4pcs	10pcs





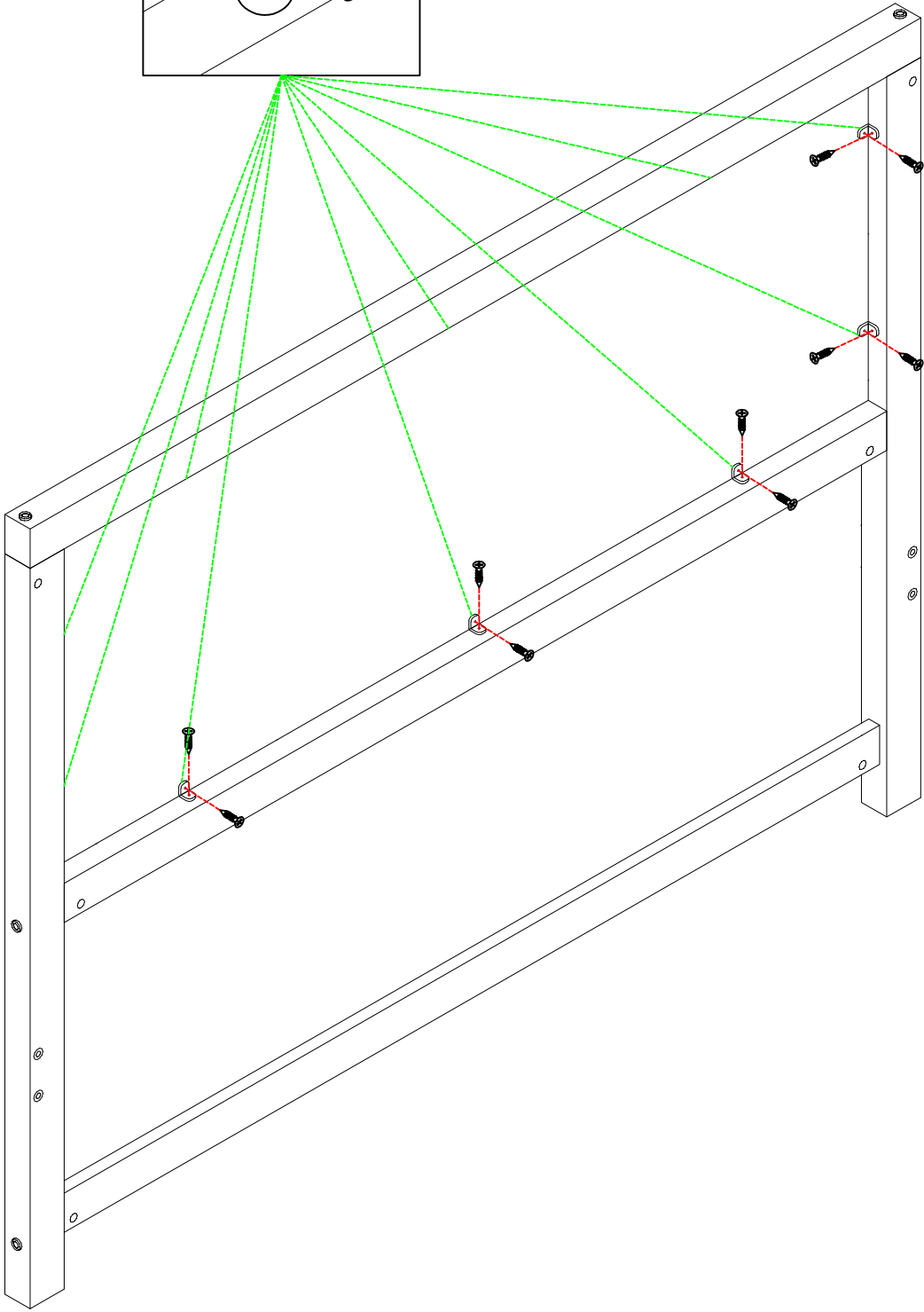
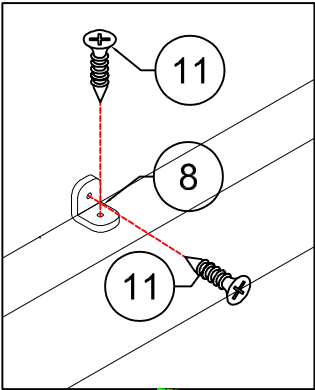
STEP 3: Following below illustration:

3	4	9
		
2pcs	2pcs	7pcs



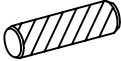
STEP 4: Following below illustration:

8	11
	
10pcs	20pcs

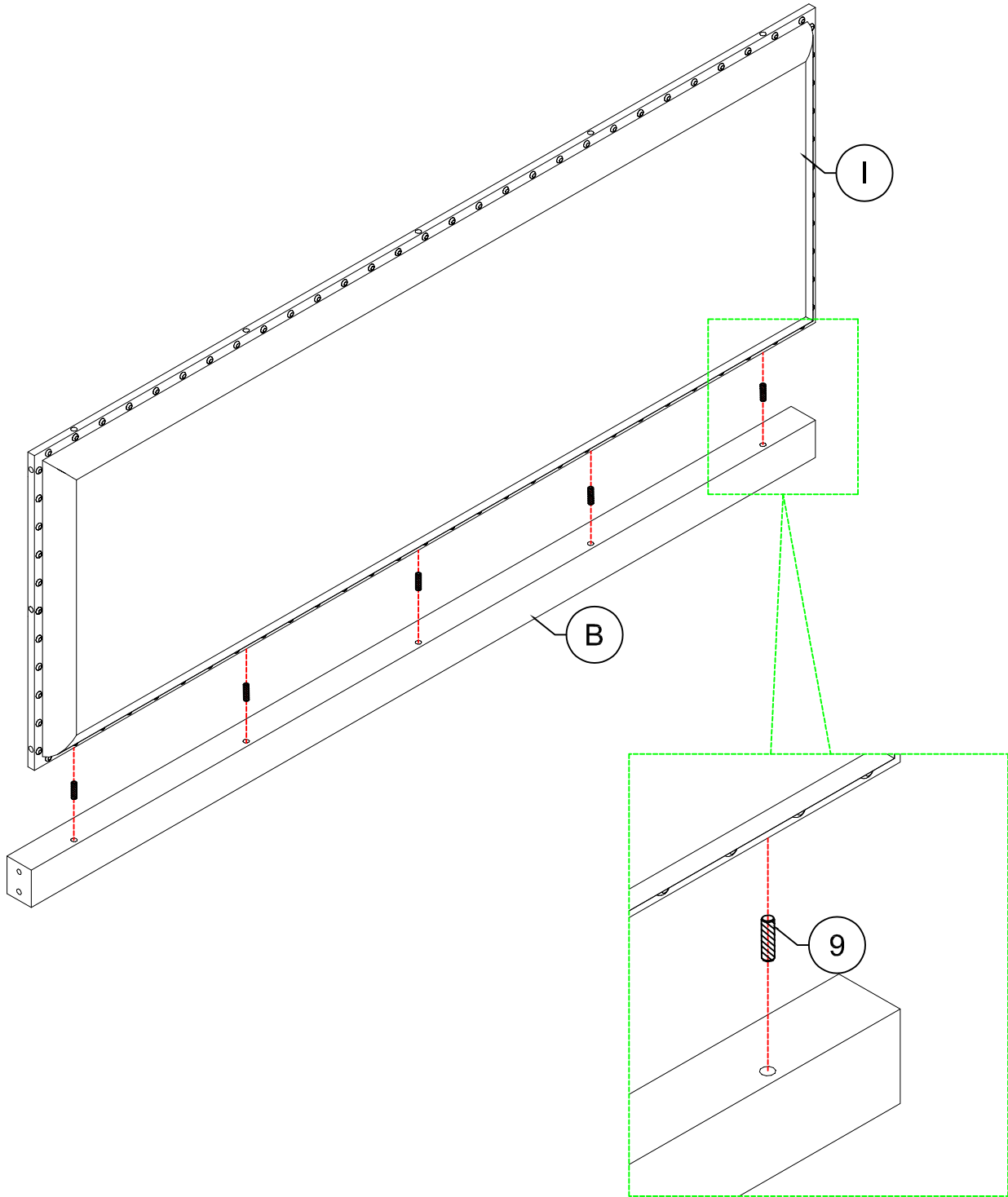


STEP 5: Following below illustration:


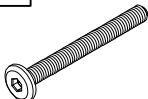
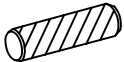
9

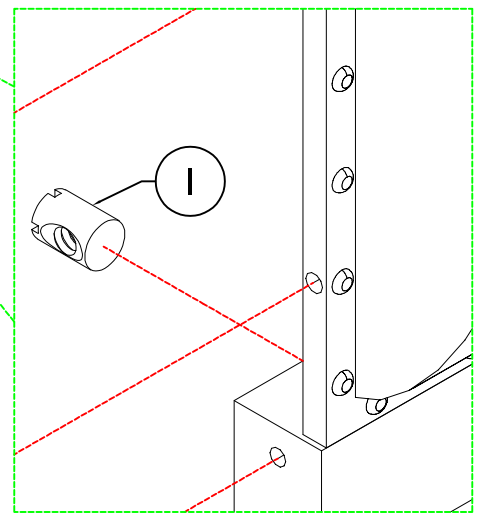
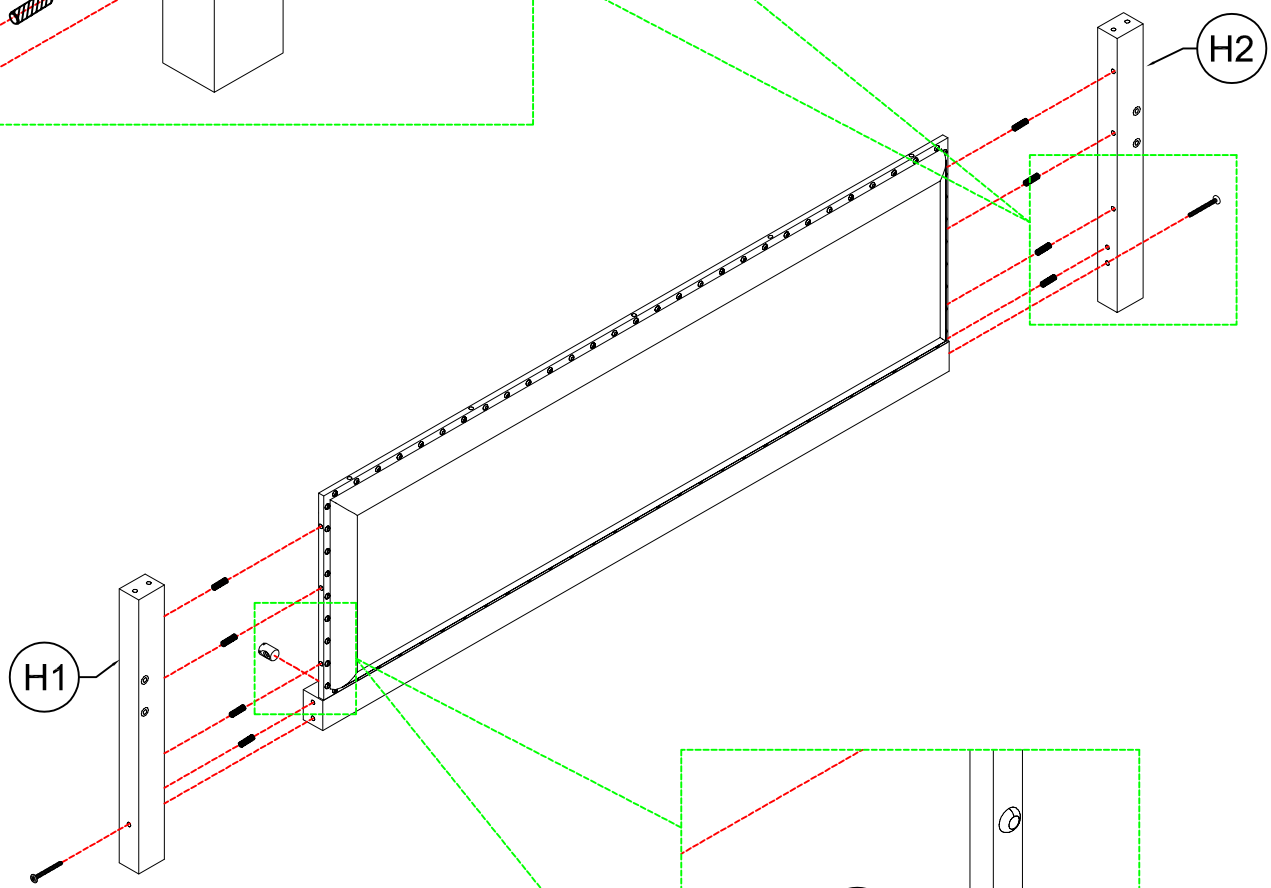
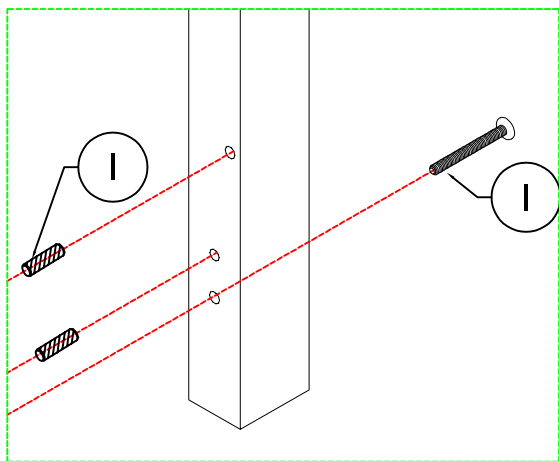


5pcs

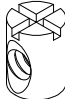
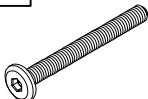
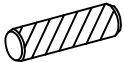


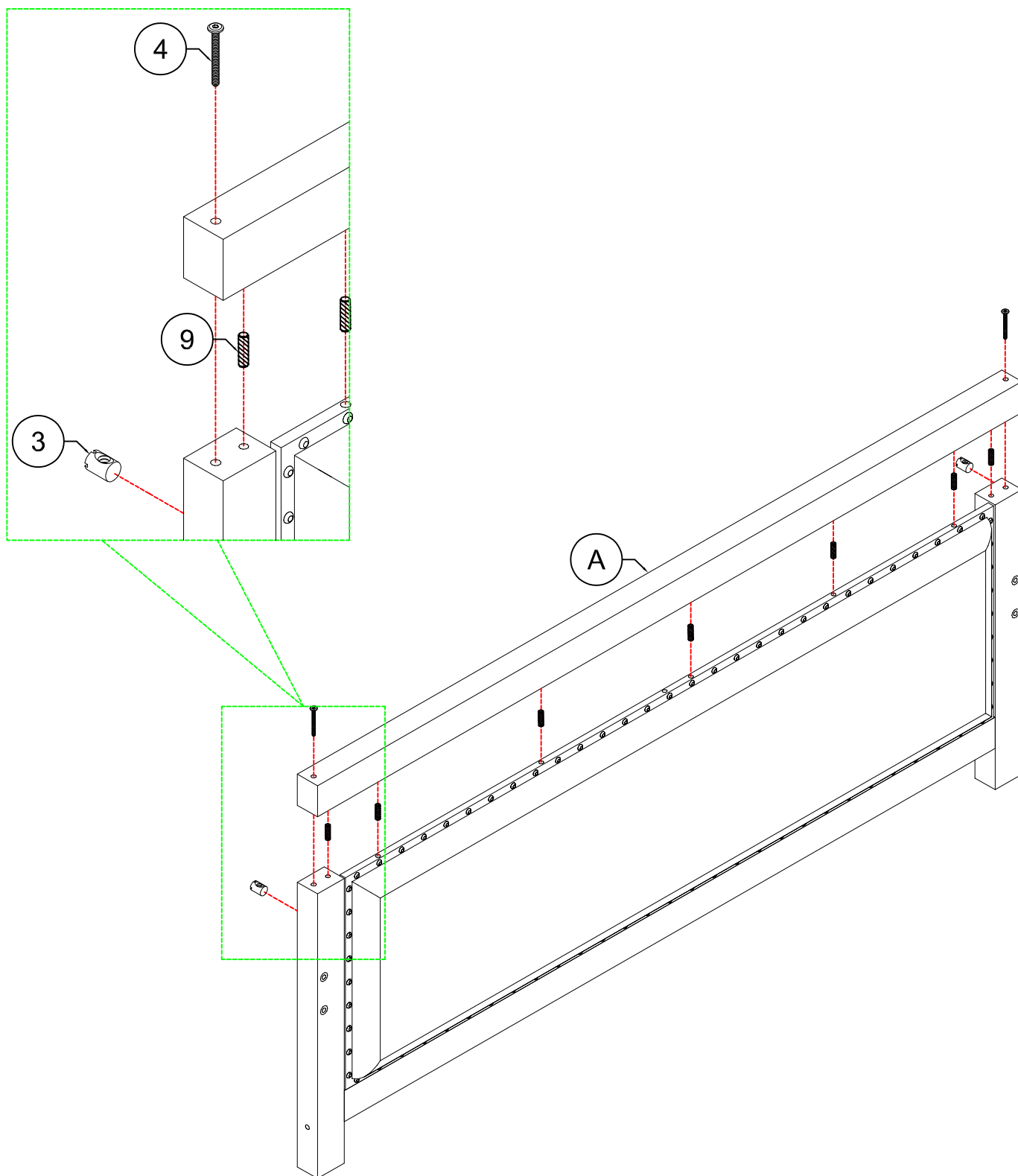
STEP 6: Following below illustration:

3	4	9
		
2pcs	2pcs	8pcs





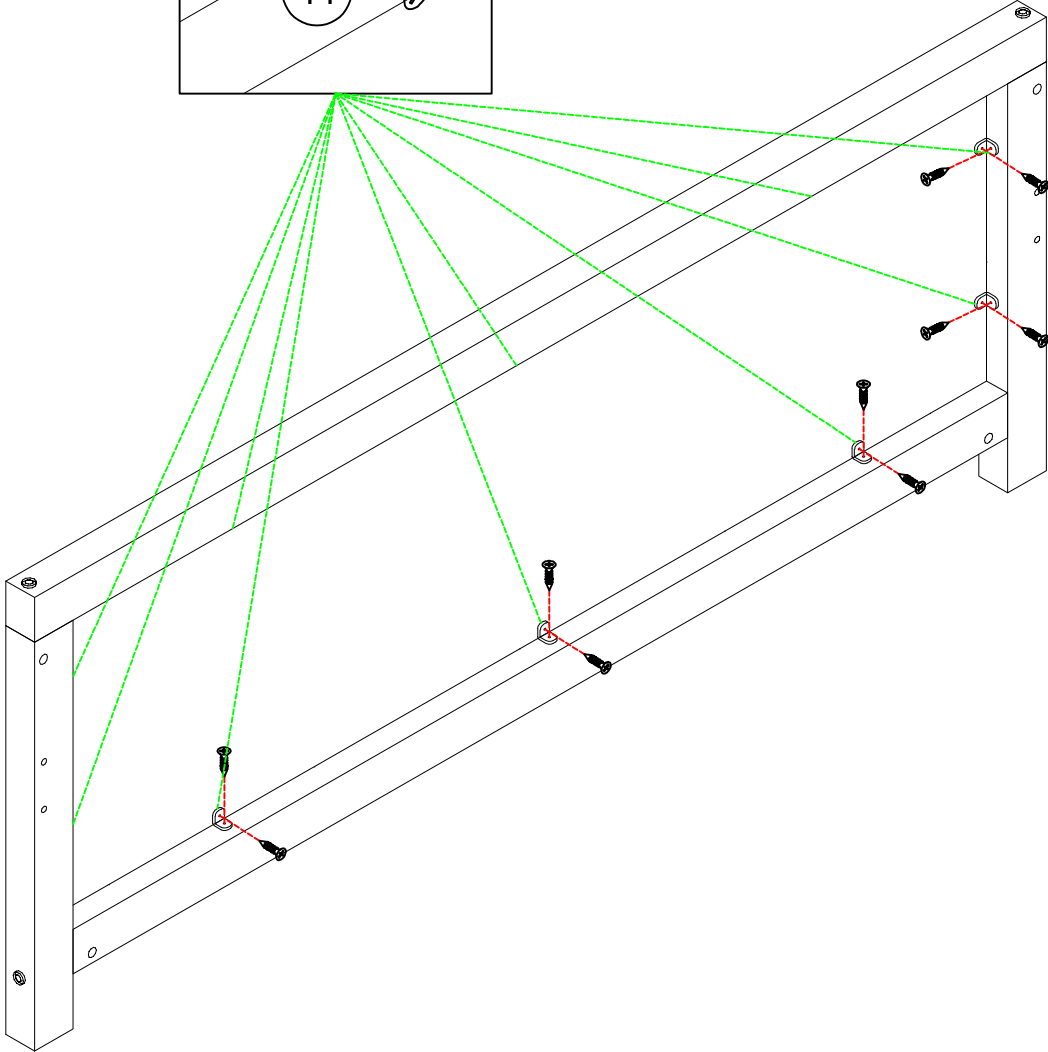
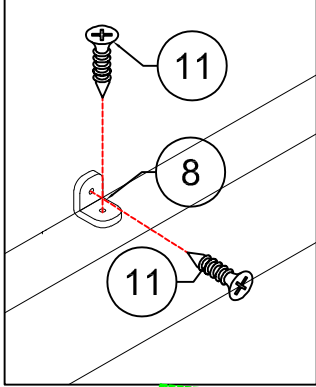
STEP 7: Following below illustration:

3	4	9
		
2pcs	2pcs	7pcs



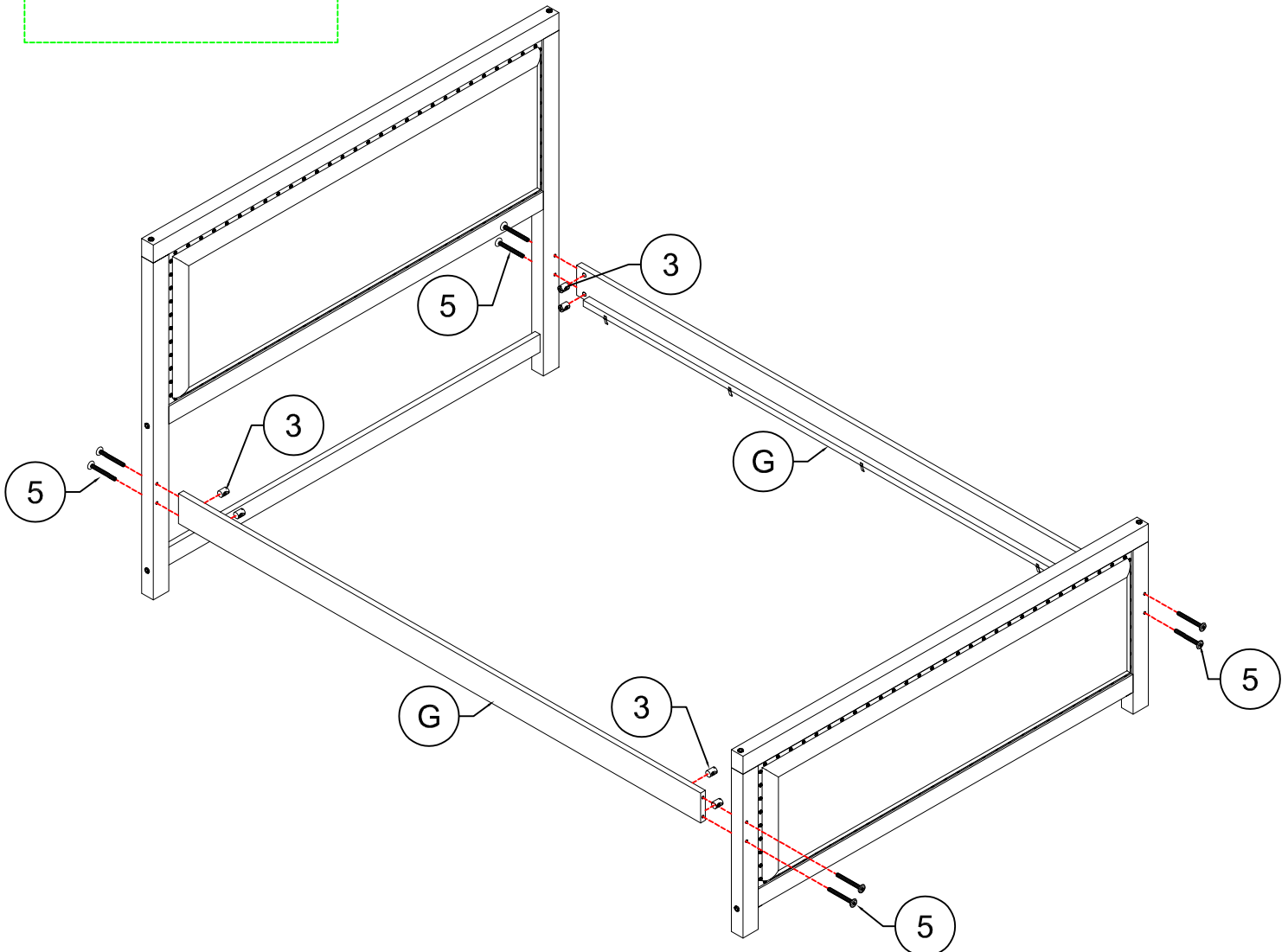
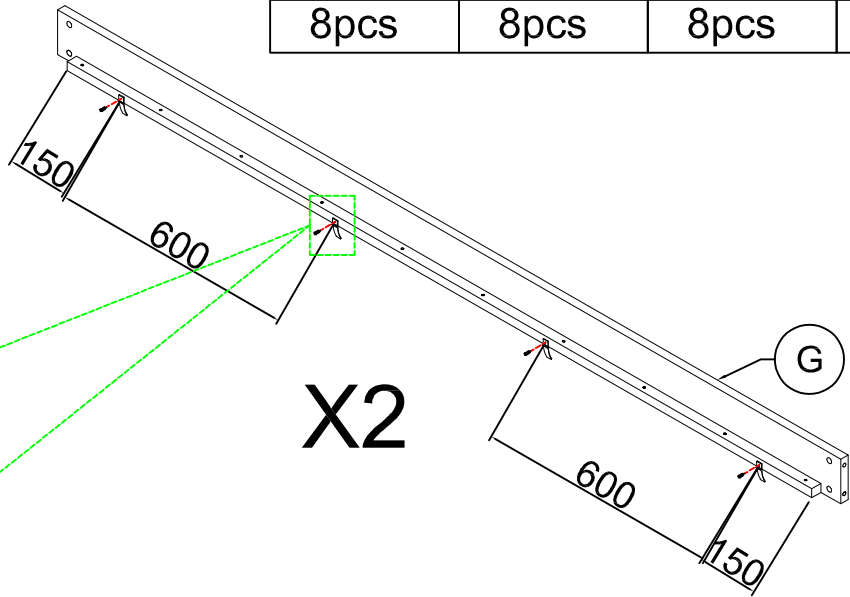
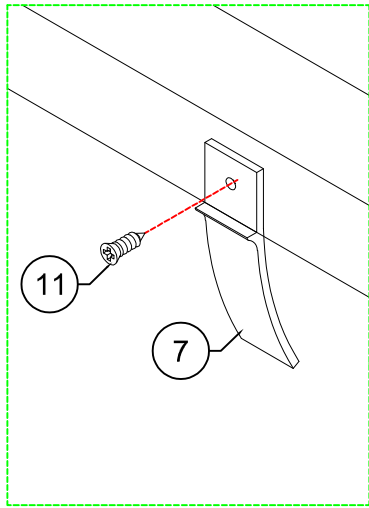
STEP 8: Following below illustration:

8	11
	
10pcs	20pcs

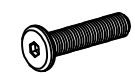
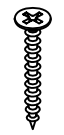


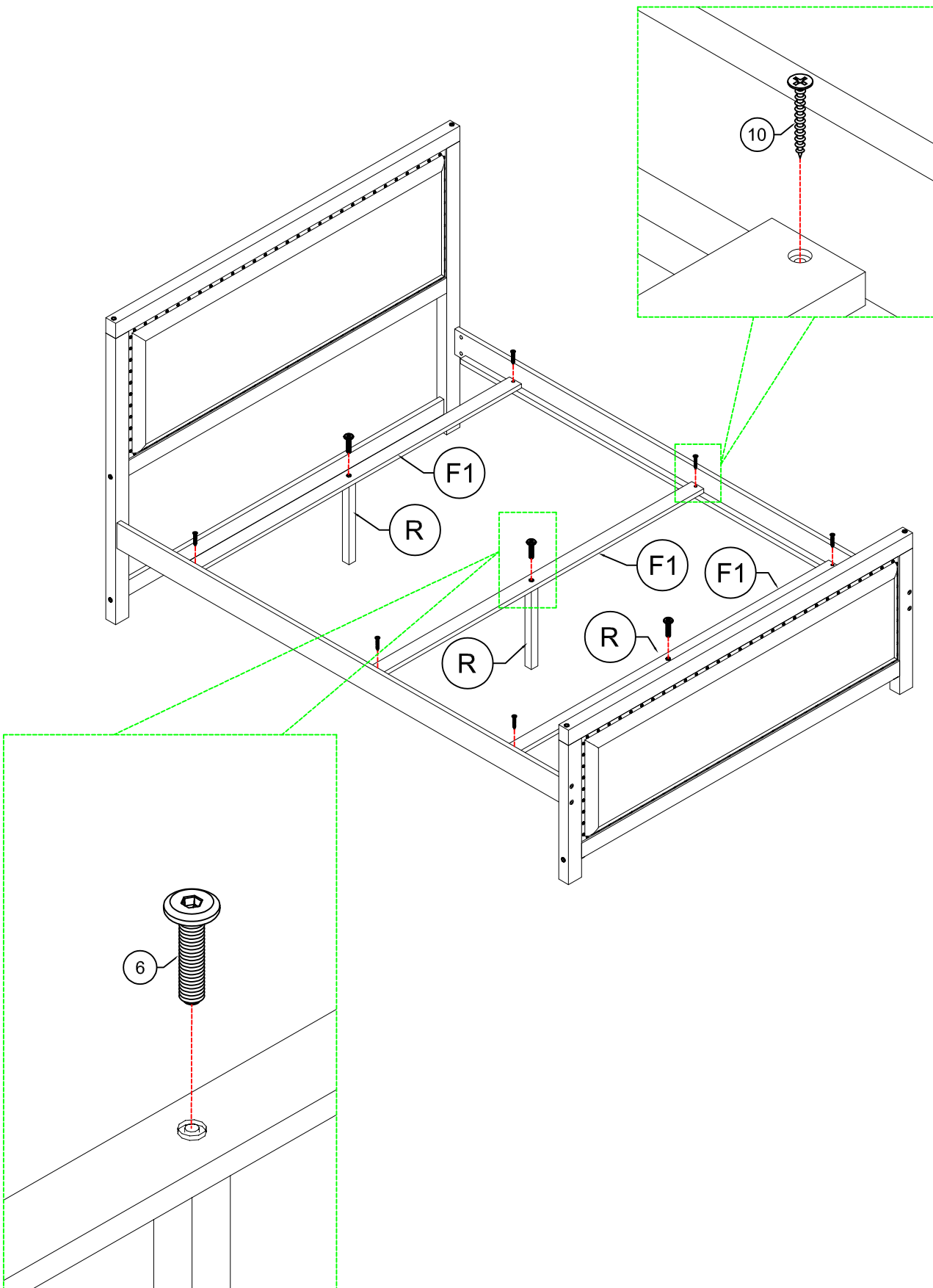
STEP 9: Following below illustration:

3	5	7	11
8pcs	8pcs	8pcs	8pcs




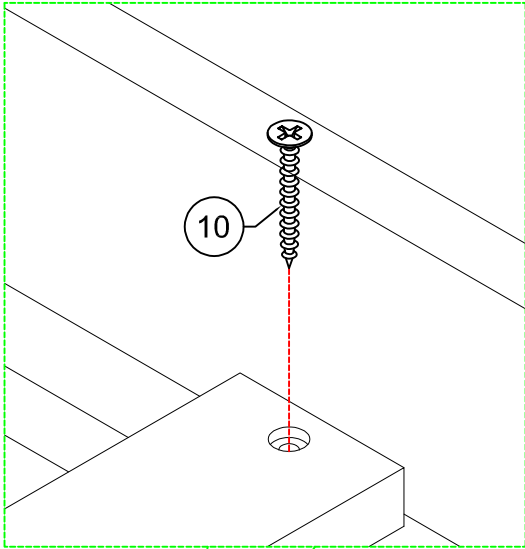
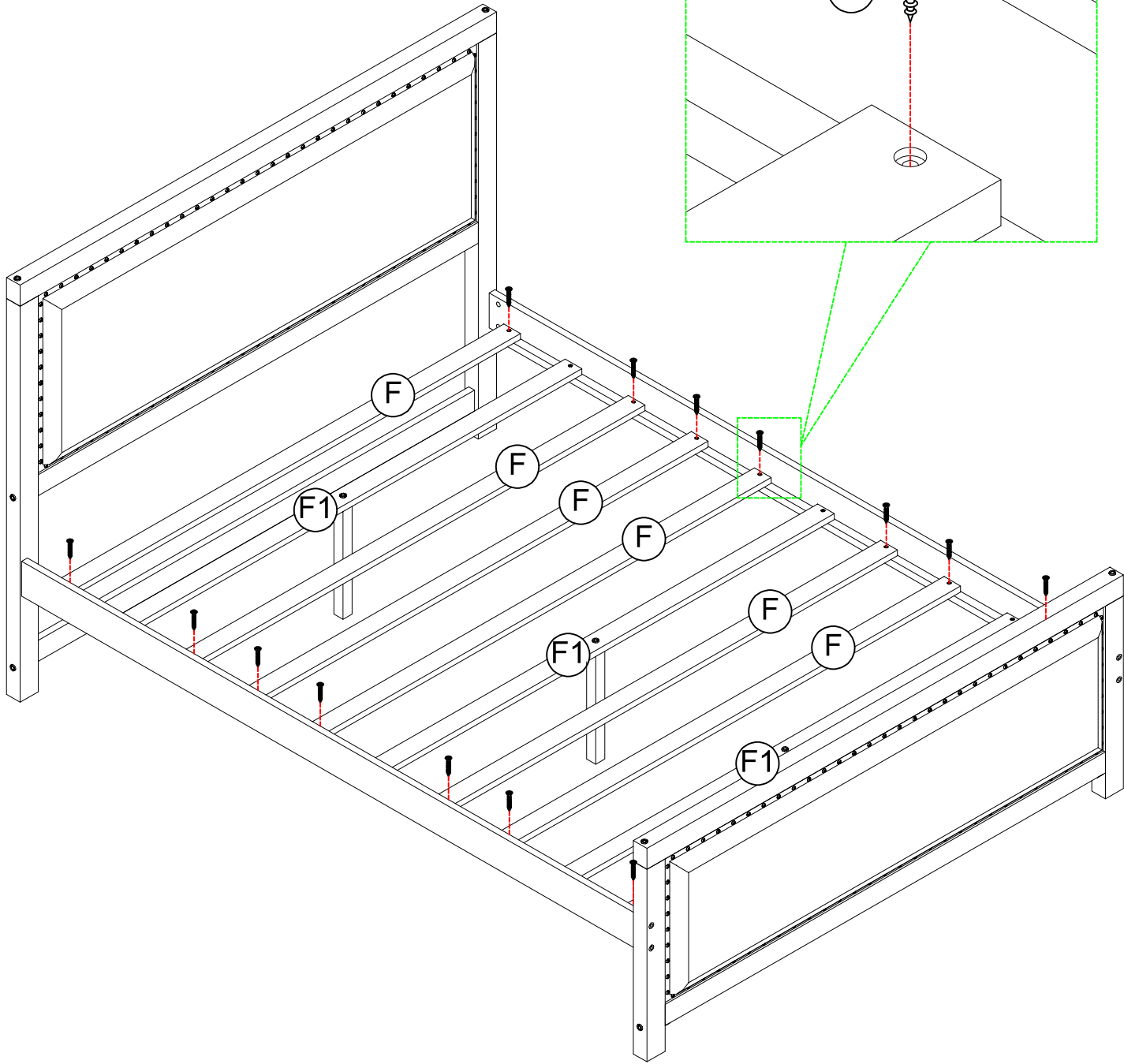
STEP 10: Following below illustration:

6	10
	
3pcs	6pcs





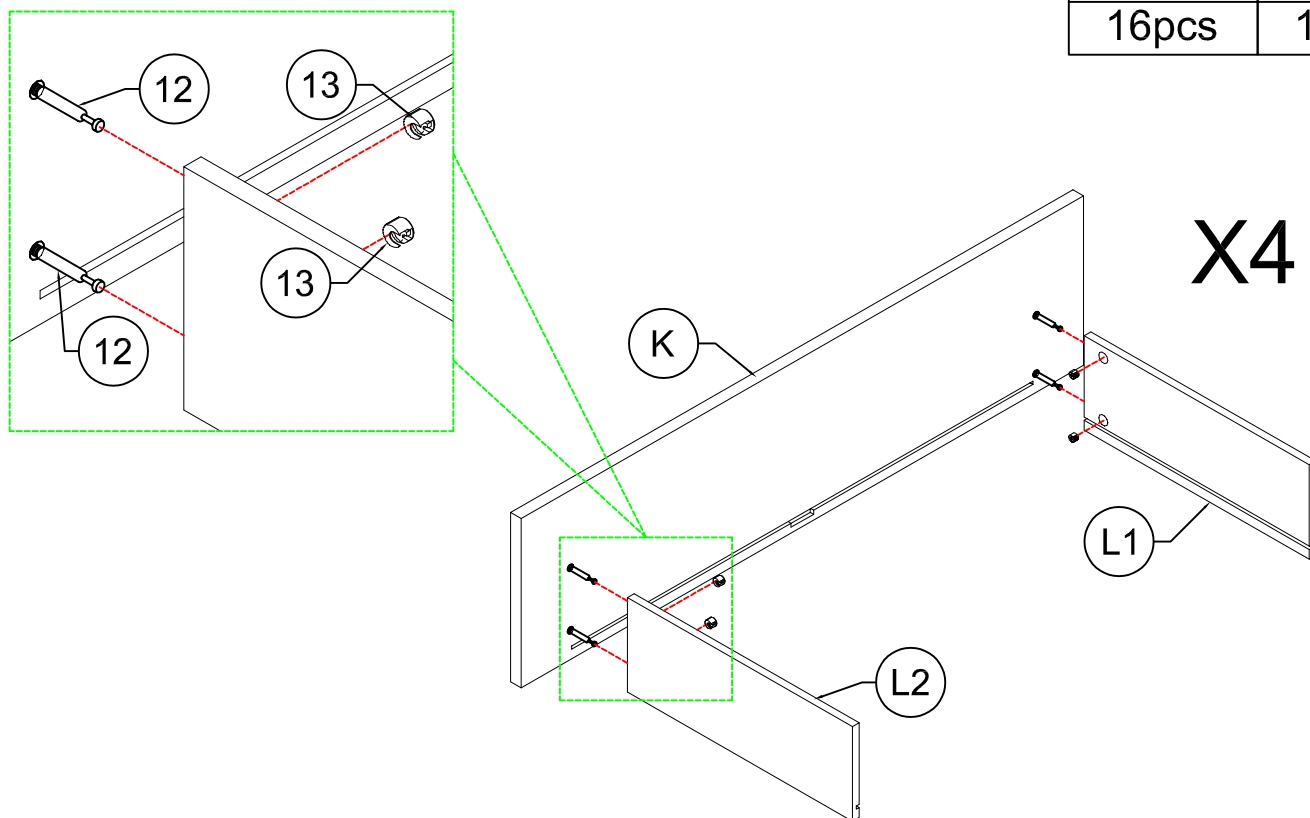
STEP 11: Following below illustration:

10	
14pcs	

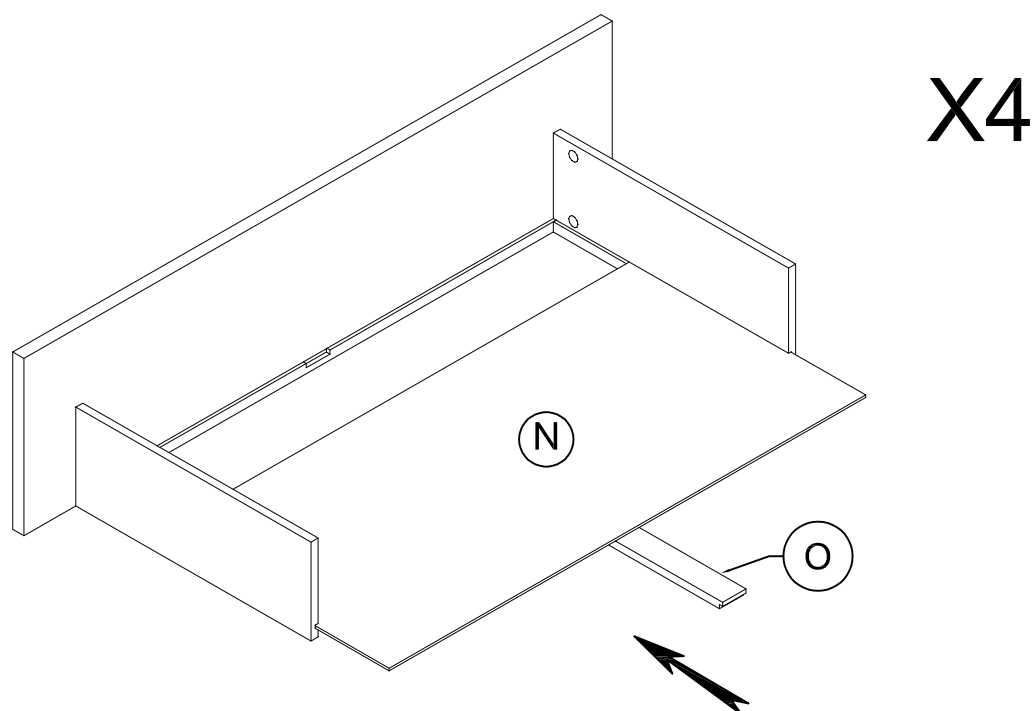


STEP 12: Following below illustration:


12		13	
16pcs		16pcs	

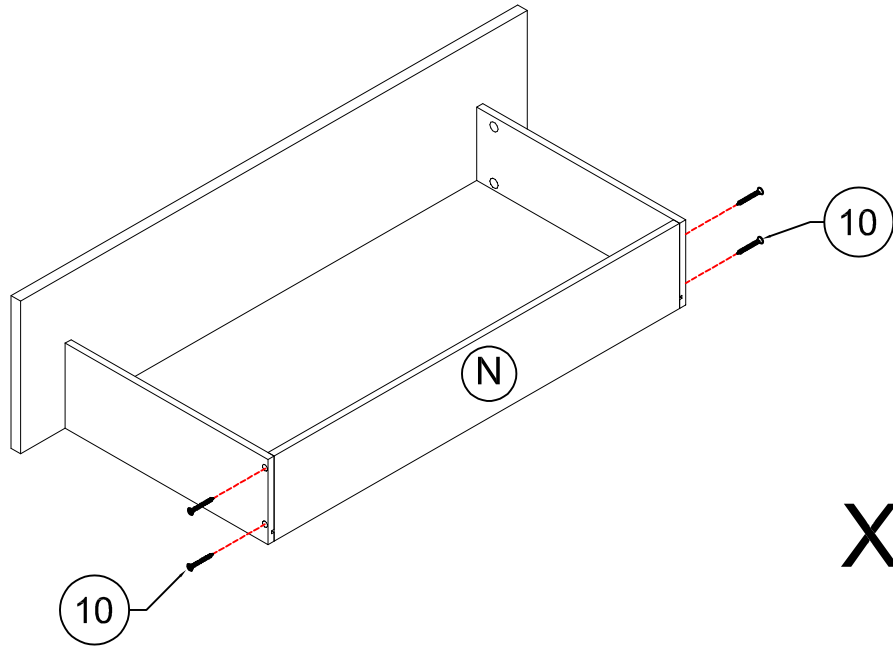


STEP 12-1: Following below illustration:



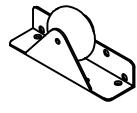
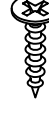
STEP 12-2: Following below illustration:

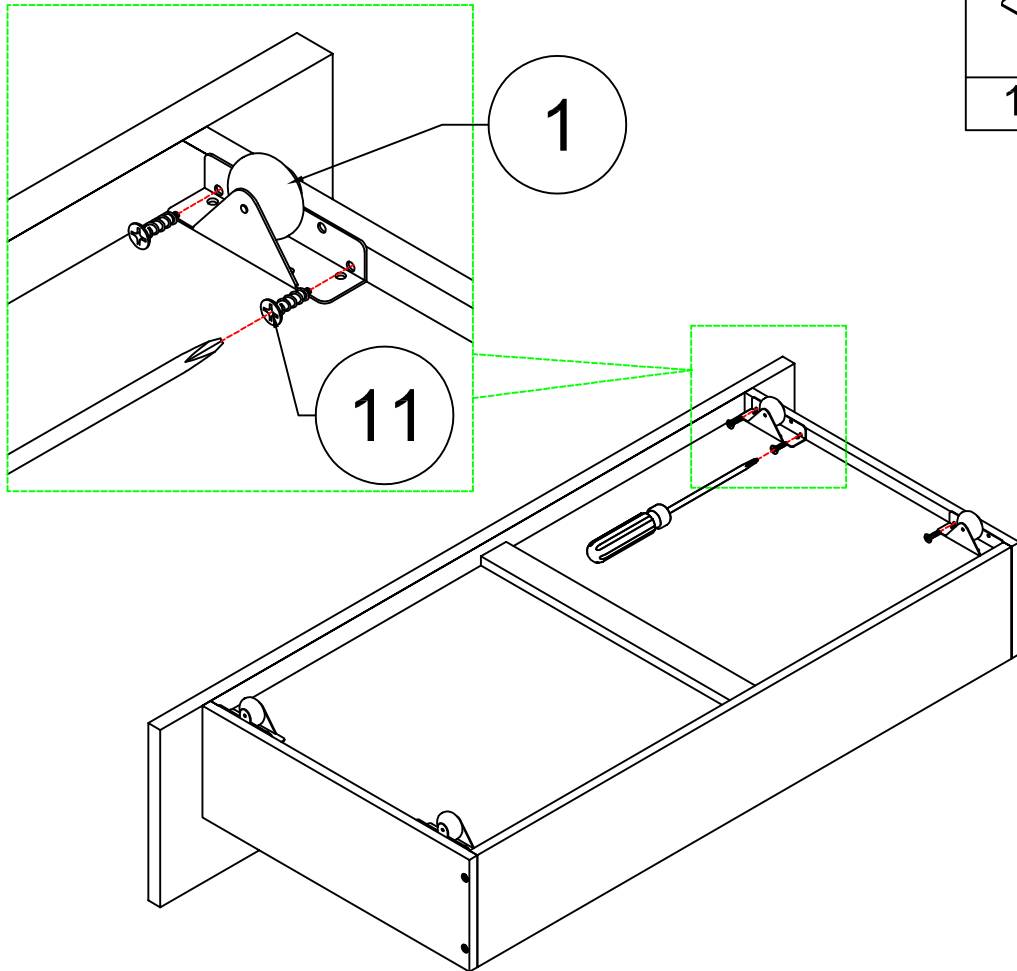
10	
16pcs	



X4

STEP 12-3: Following below illustration:

1		11	
16pcs		32pcs	



X4

FINISH

