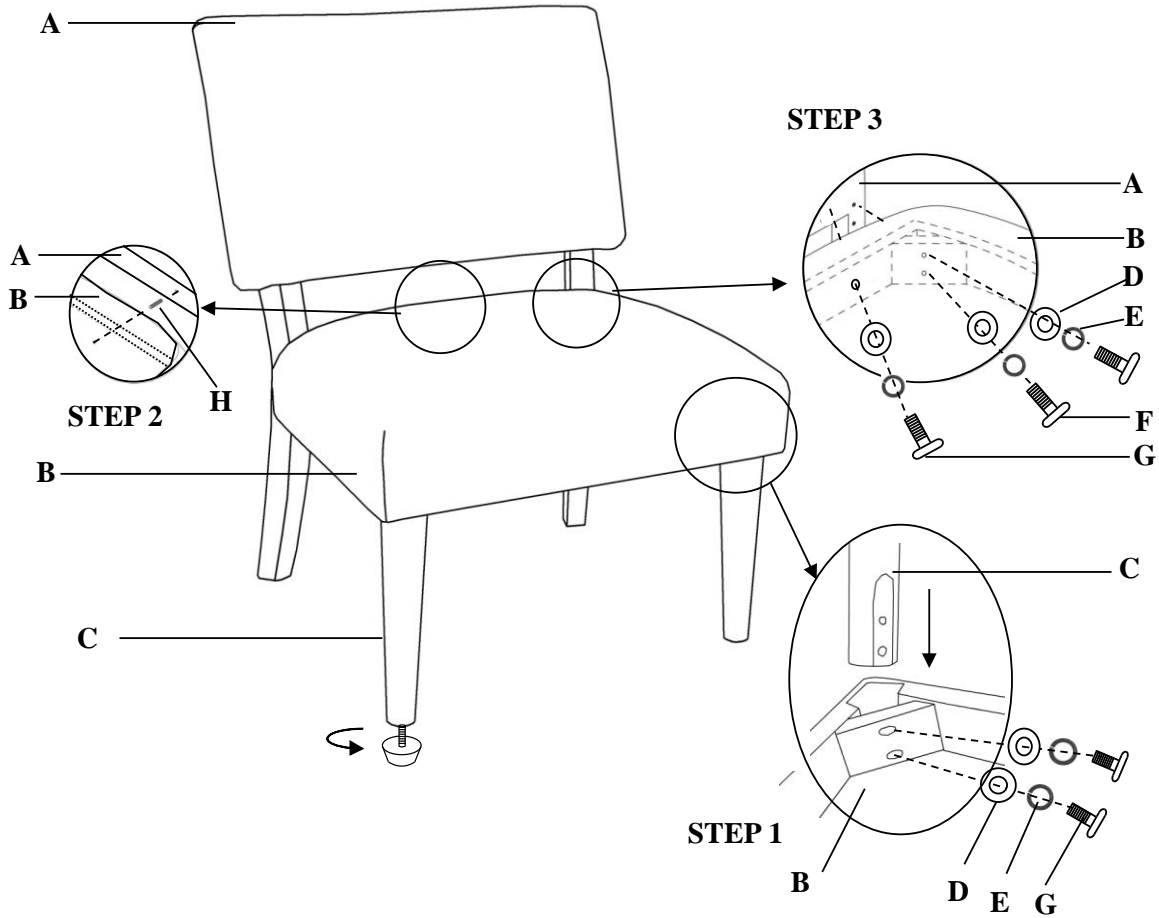


ASSEMBLY INSTRUCTION



A		1PC	D		10PCS	G		6PCS
B		1PC	E		10PCS	H		1PC
C		2PCS	F		4PCS	I		1PC
				$\phi 22\text{mm}$			$\phi 5/16'' \times 60\text{mm}$	
				$\phi 8\text{mm}$				
				$\phi 5/16'' \times 100\text{mm}$			5mm	

ATTENTION:

WHEN YOU ASSEMBLE, PLEASE DO NOT TIGHTEN EACH SCREW UNTIL ALL SCREWS ARE LINED UP WITH THE FRAME.