













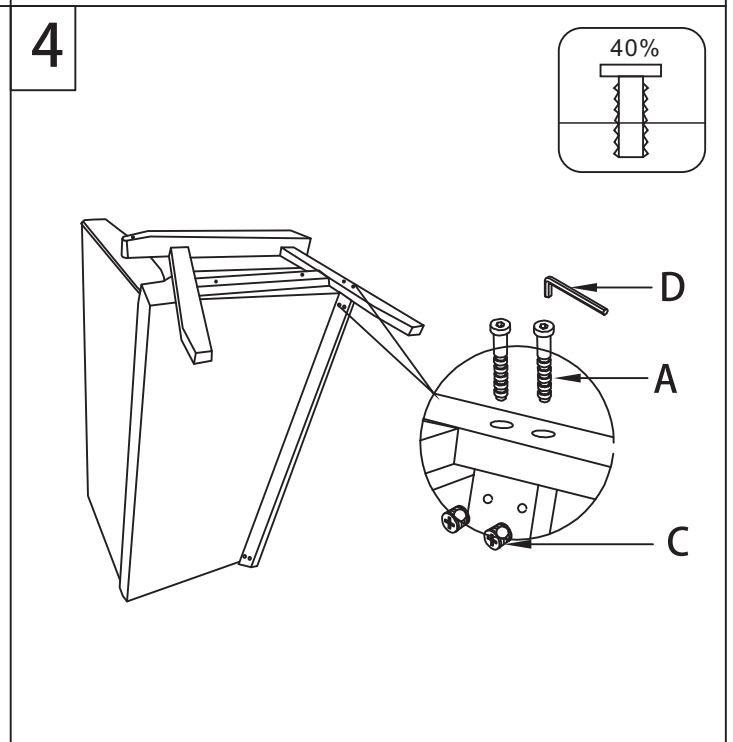
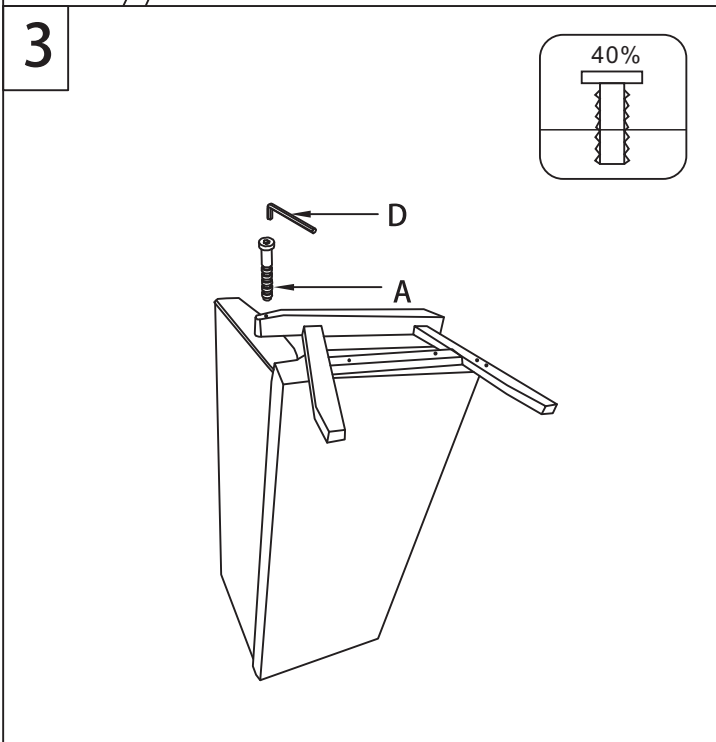
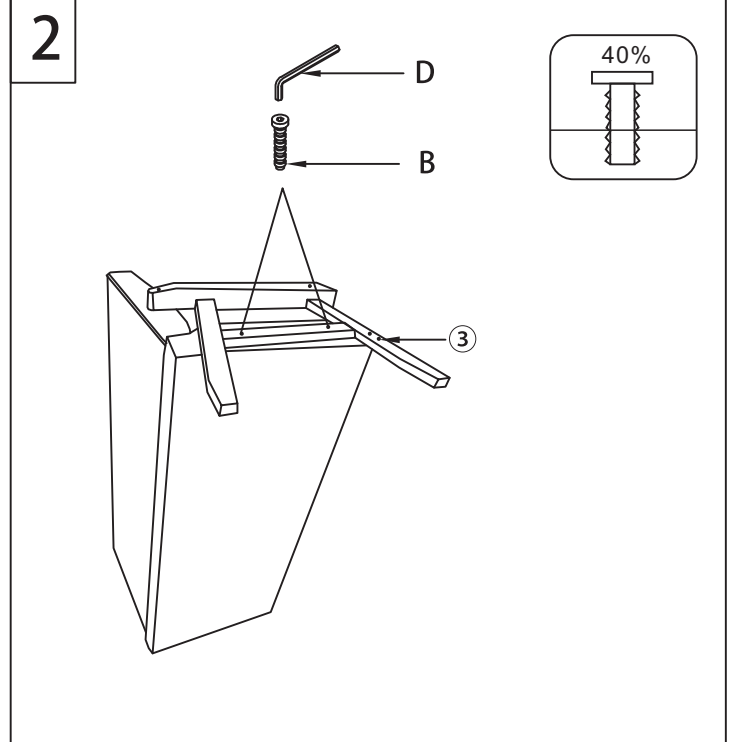
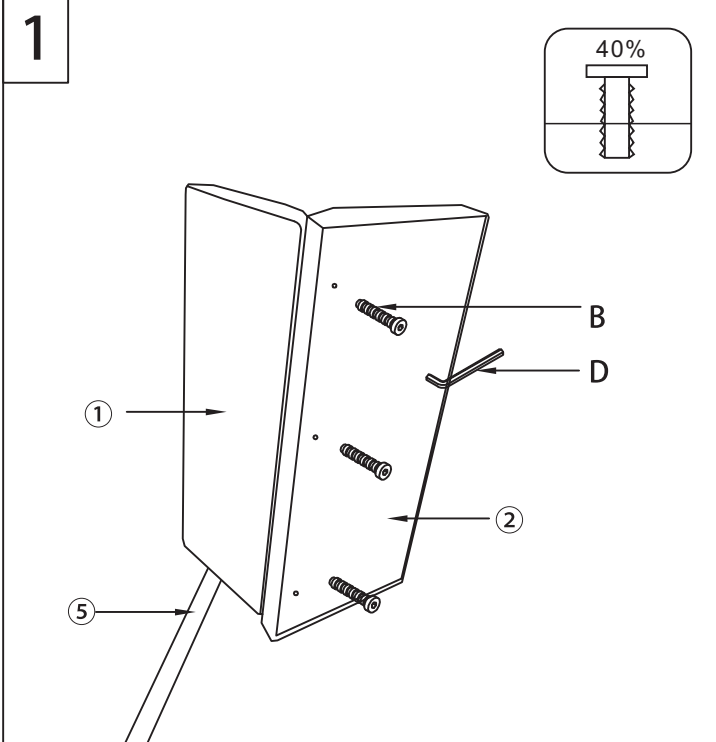


# ASSEMBLING INSTRUCTION

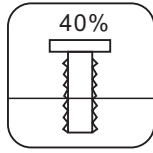
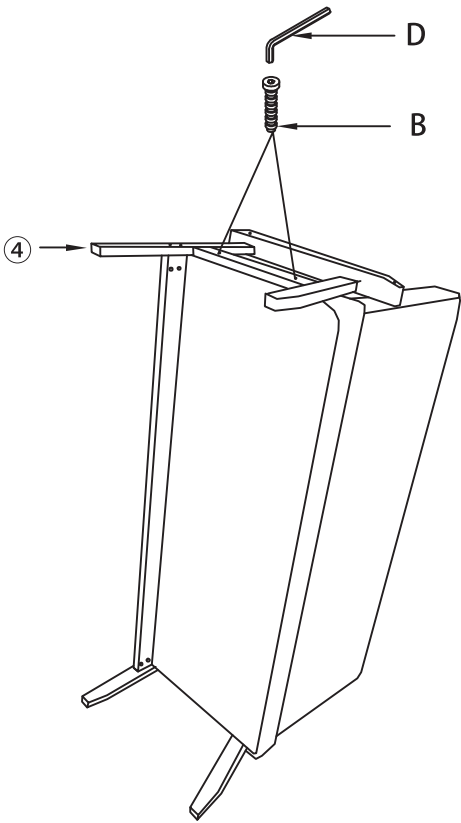
①  1PC	②  1PC	③  1PC	④  1PC	⑤  1PC	
A  M8*70 6PCS	B  M8*45 7PCS	C  4PCS	D  1PC	E  4PCS	

spare

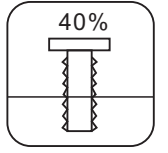
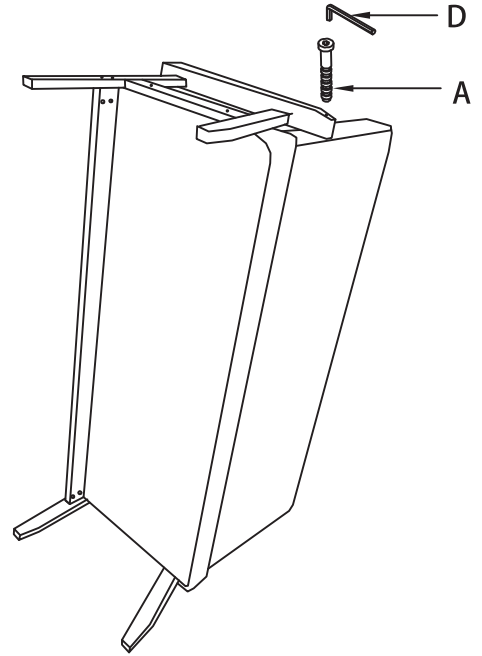
A  M8*70 1PC	B  M8*45 1PC	C  1PC	E  1PC		
---	---	---	---	--	--



5



6



7

