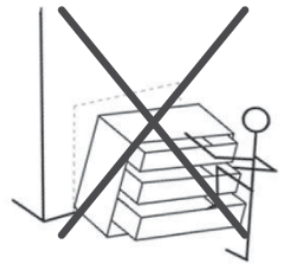
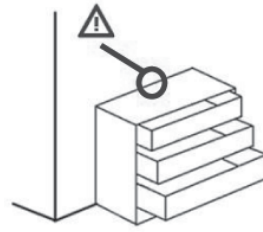
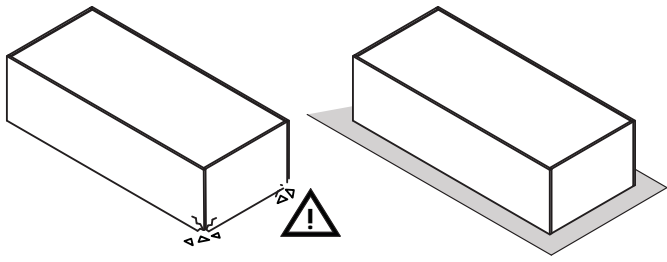
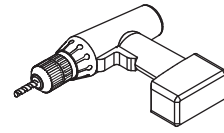
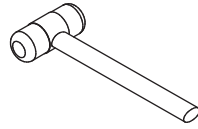
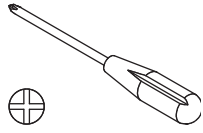
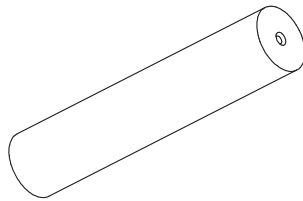


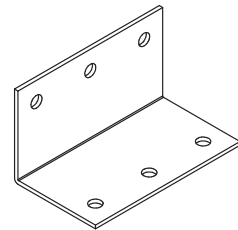
2,5h



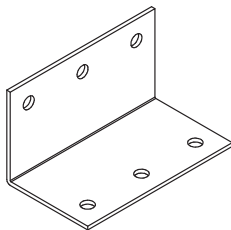
W307
x1



W557
x2



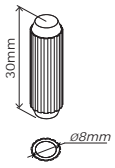
W186
x1



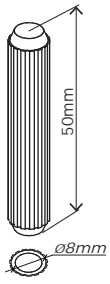
W186
x4



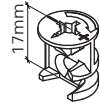
W307
x2



H1
x20



H32
x8



T92
x6



T7
x6



T99
x16



T28
x12



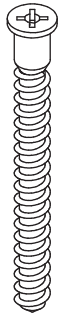
T119
x8



V57
x8



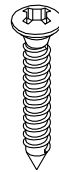
V10
x45



V115
x4



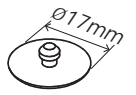
V131
x4



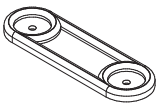
V159
x20



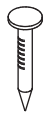
H54
x20



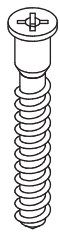
G57
x4



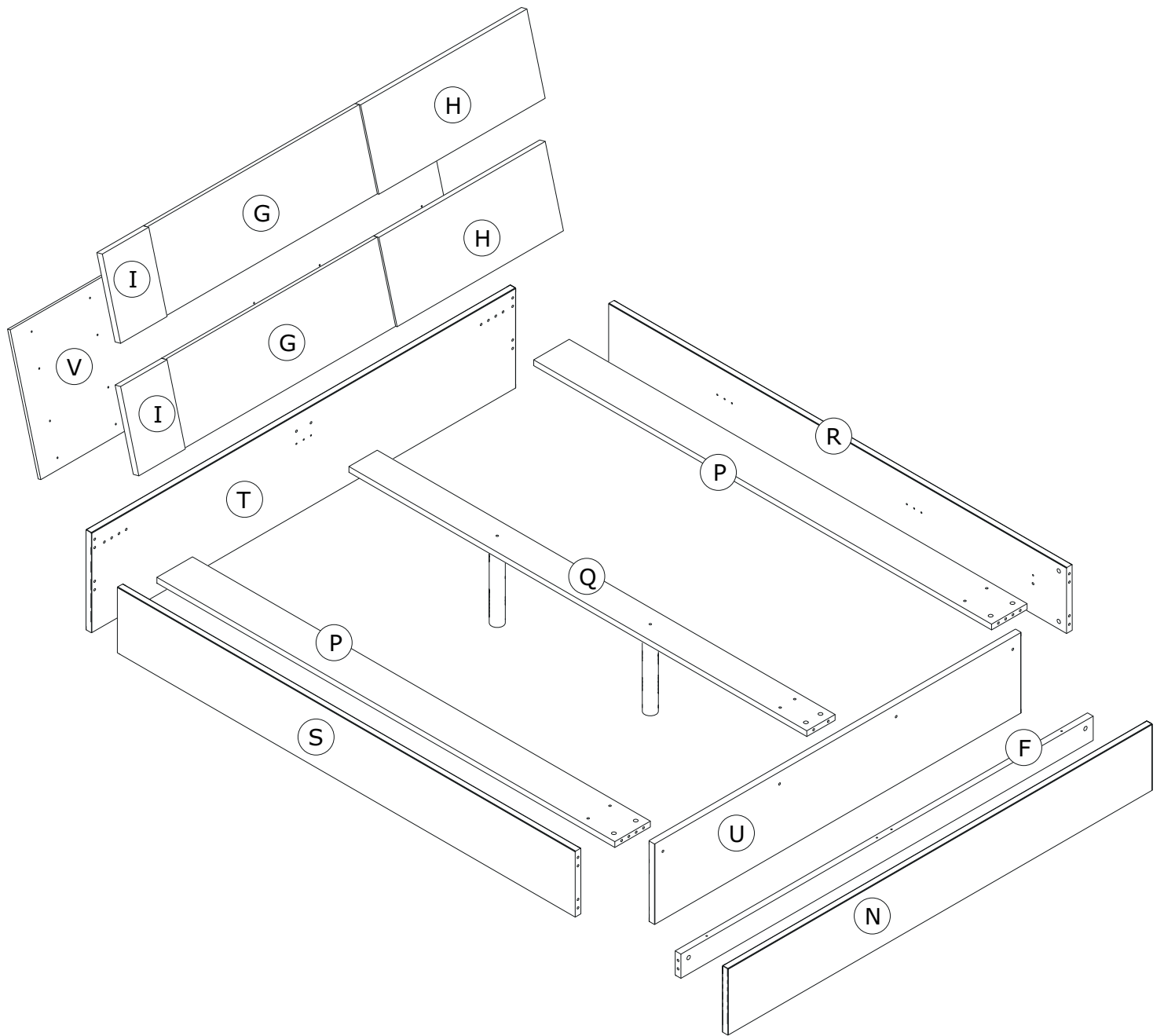
P16
x8

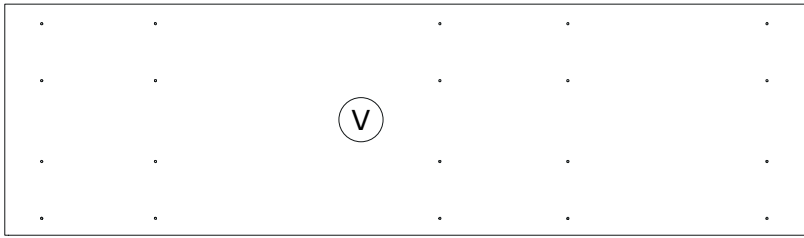


H15
x16

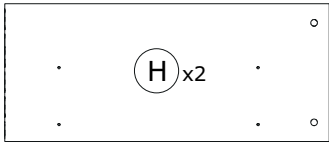


V45
x2

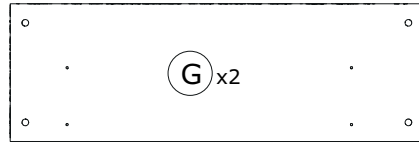




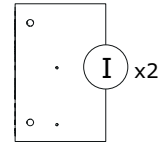
1810x520x12mm



730x310x25mm

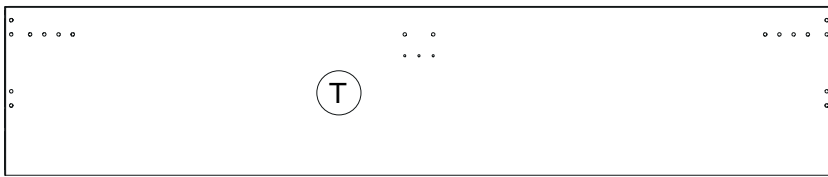


930x310x18mm

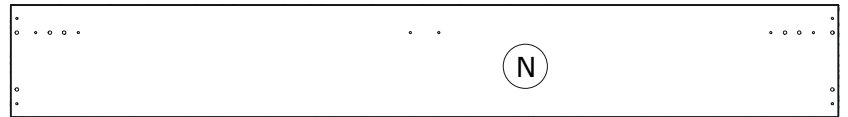


204x310x25mm

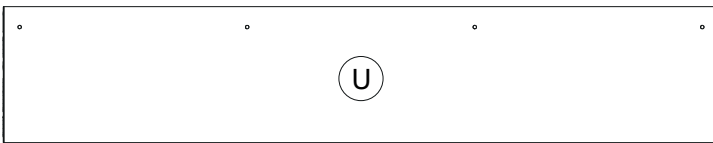
BOX 1/3



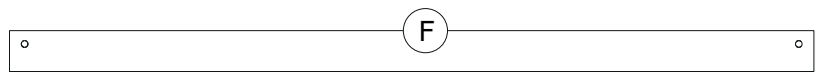
1864x380x25mm



1864x252x25mm

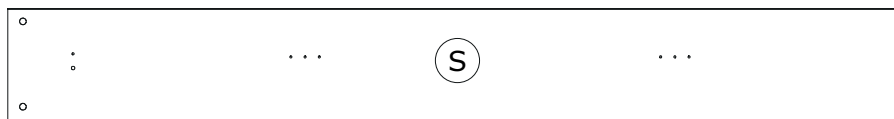


1610x306x25mm

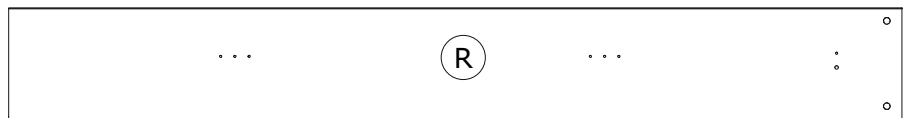


1810x92x25mm

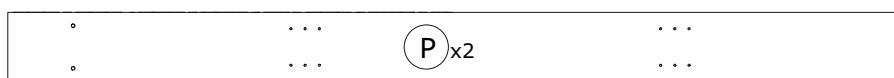
BOX 2/3



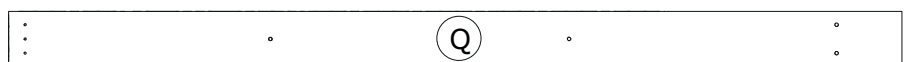
2010x250x25mm



2010x250x25mm



2010x156x22mm



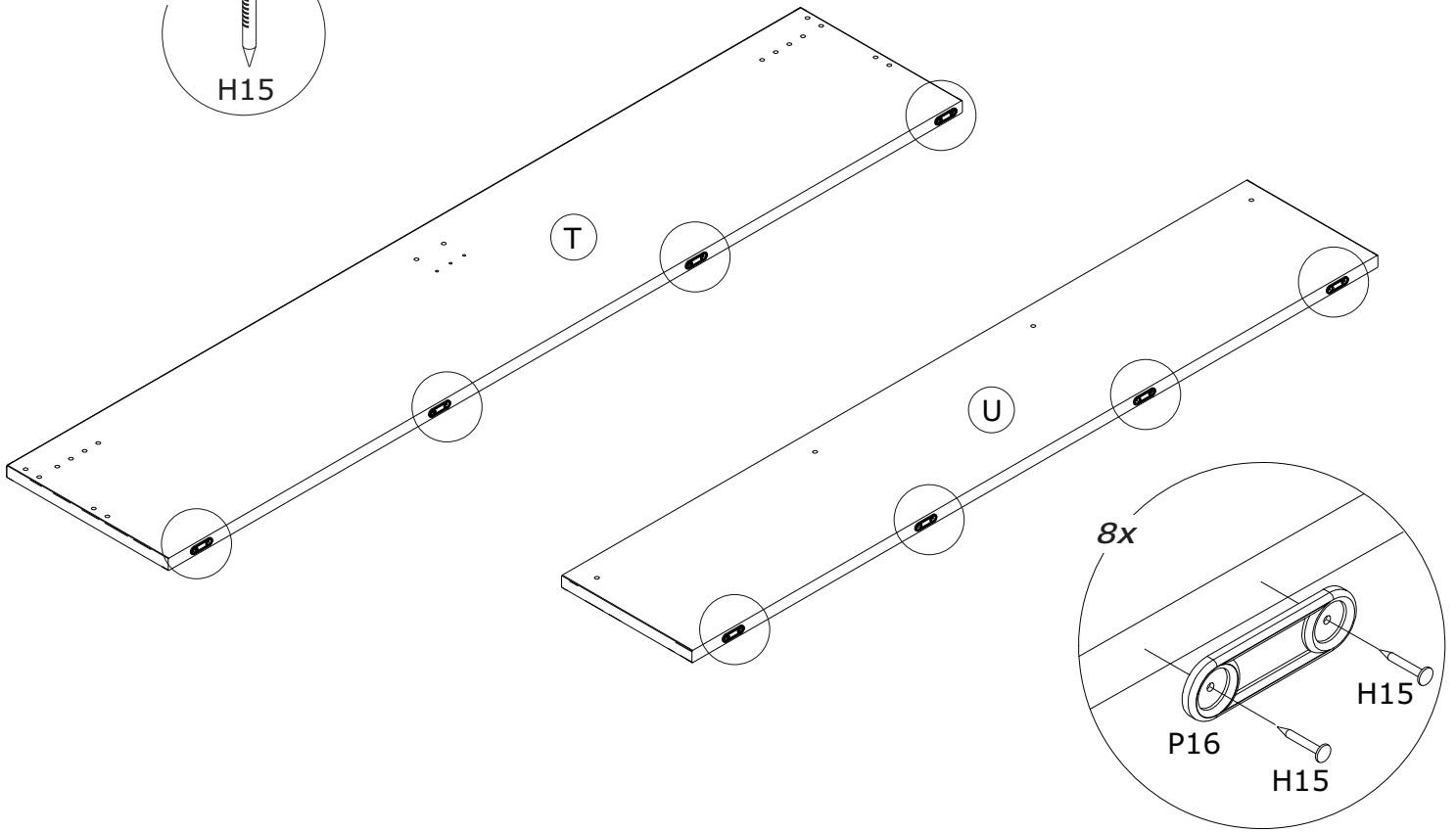
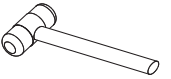
2010x124x22mm

BOX 3/3

1

16x

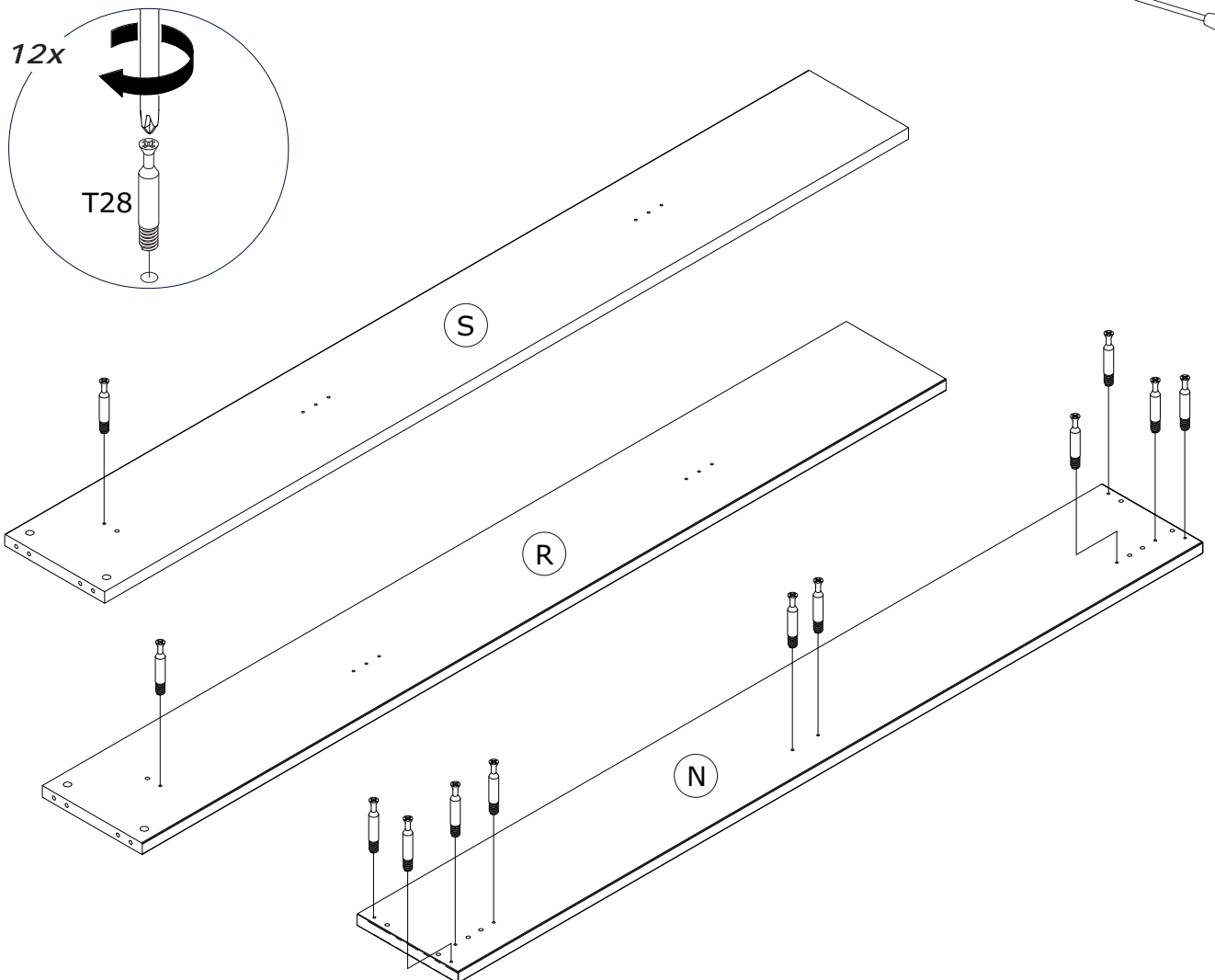
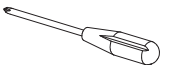
H15



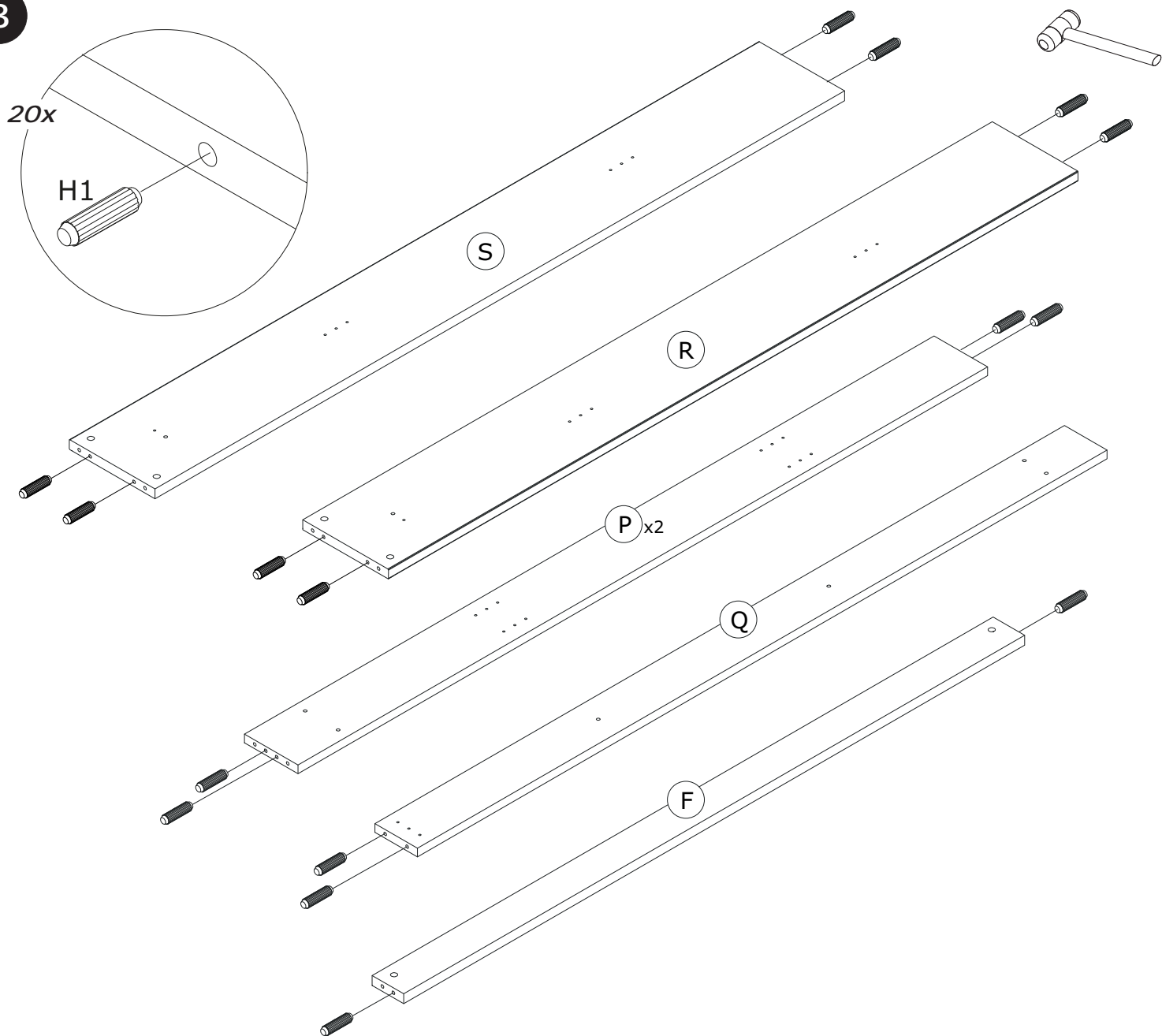
2

12x

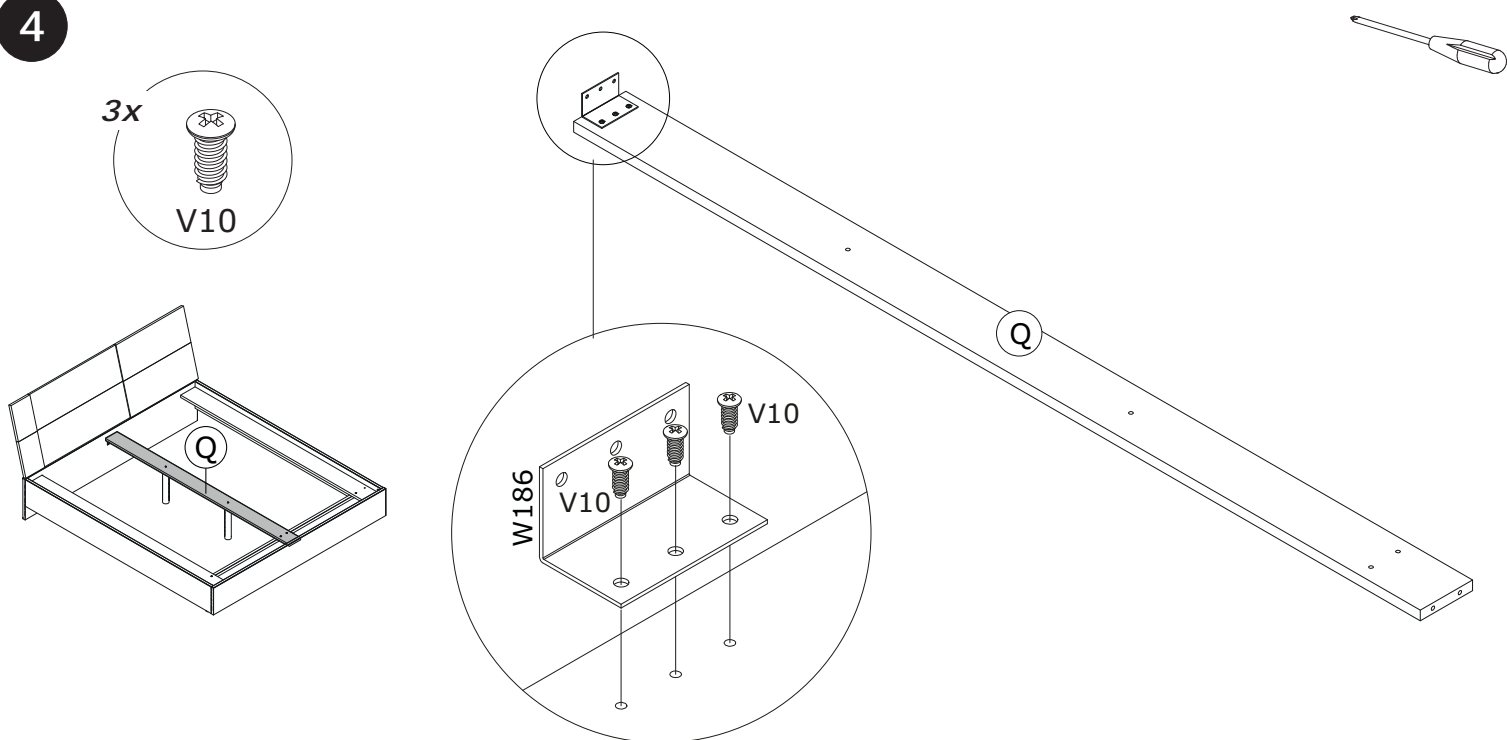
T28



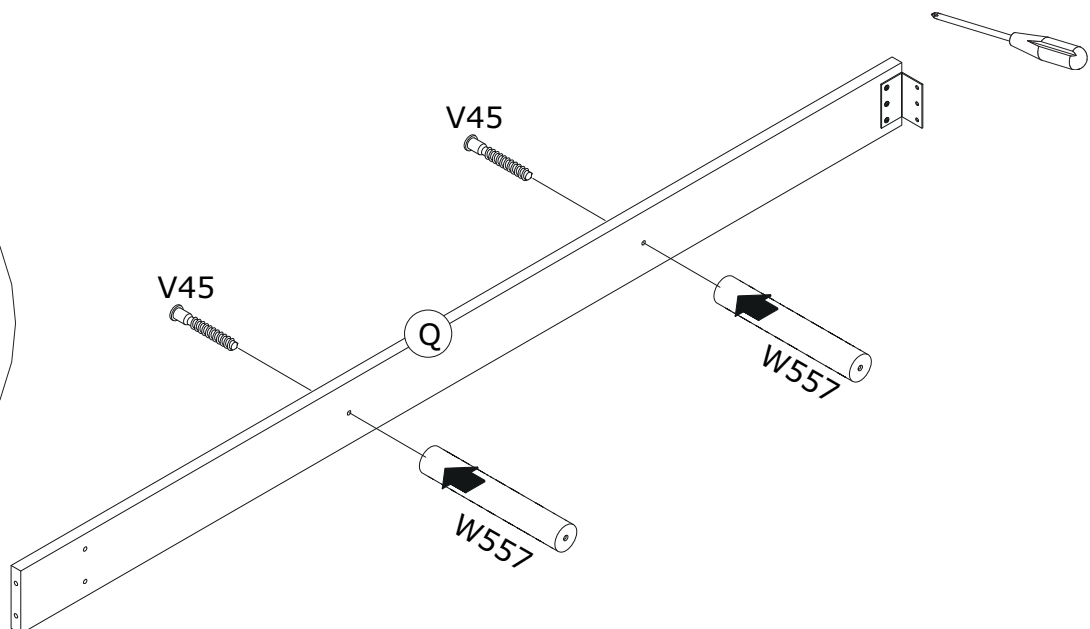
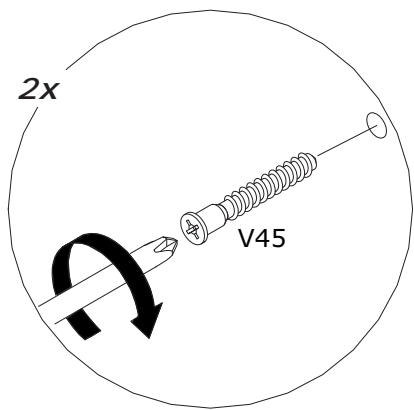
3



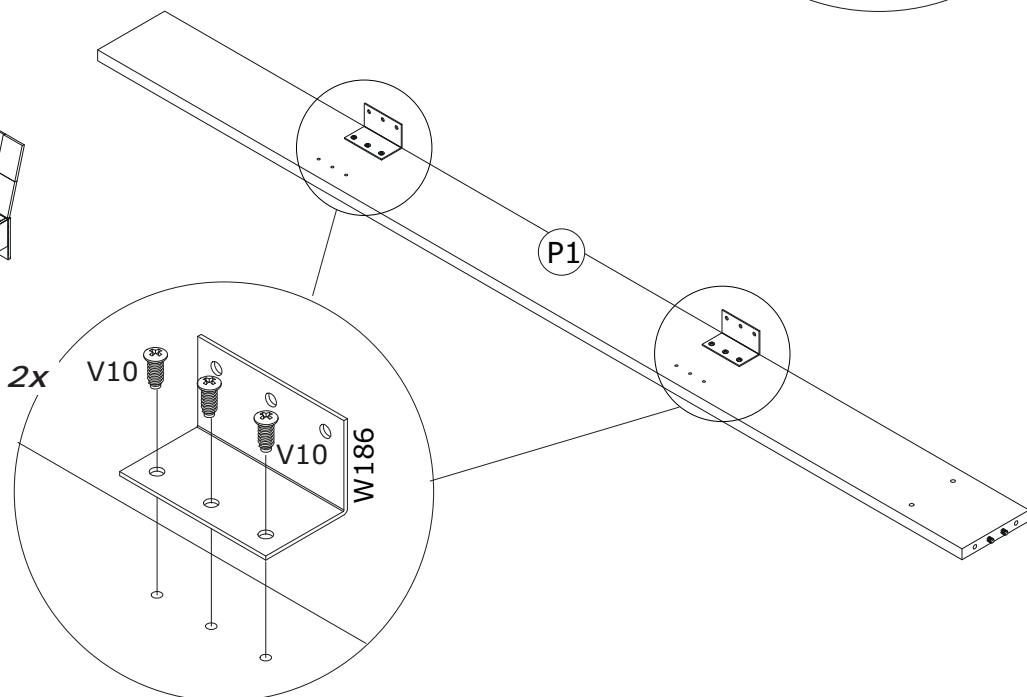
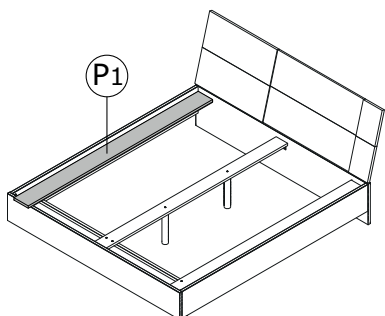
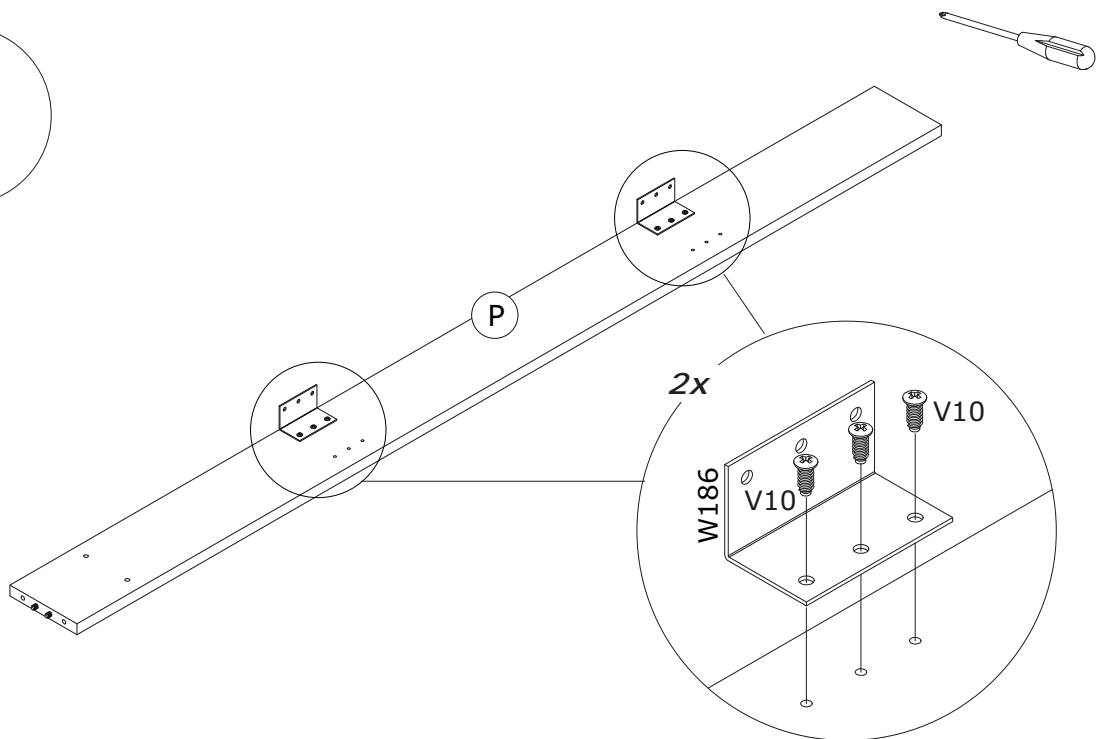
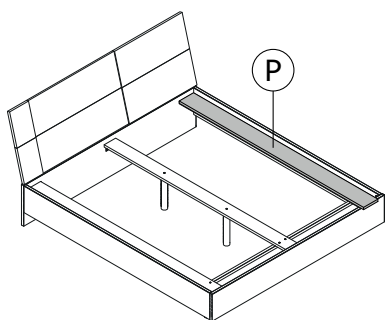
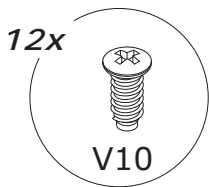
4



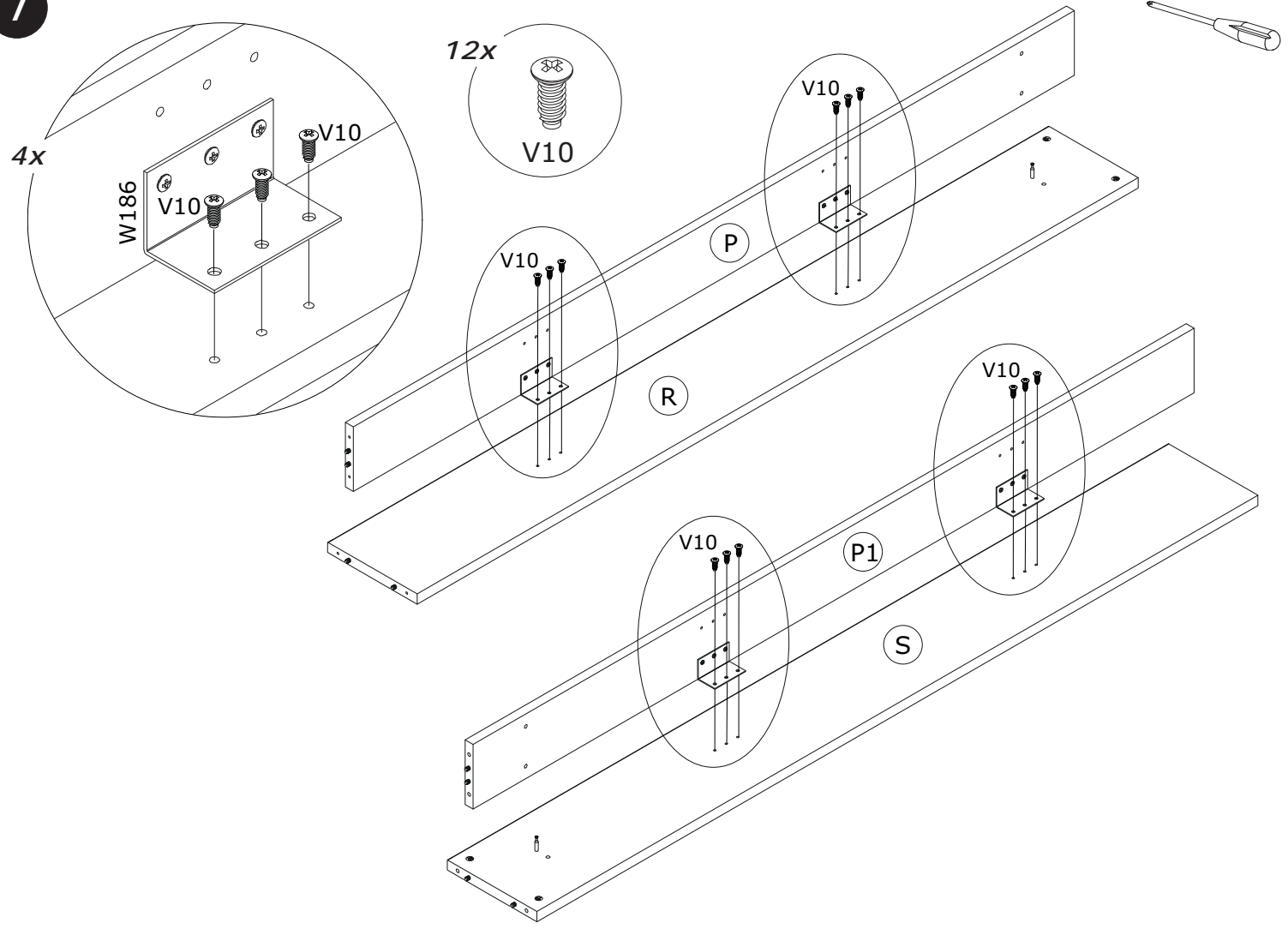
5



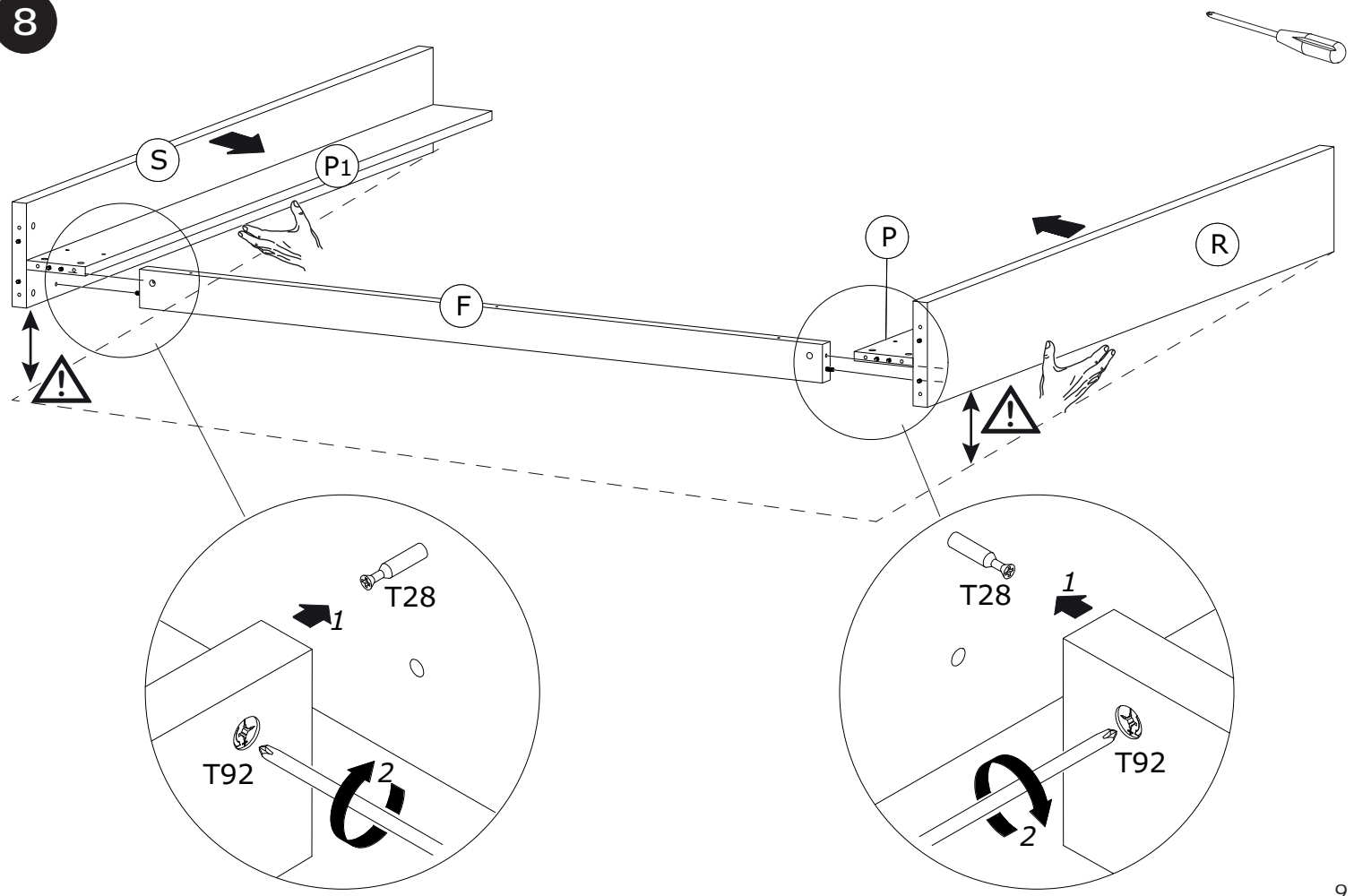
6



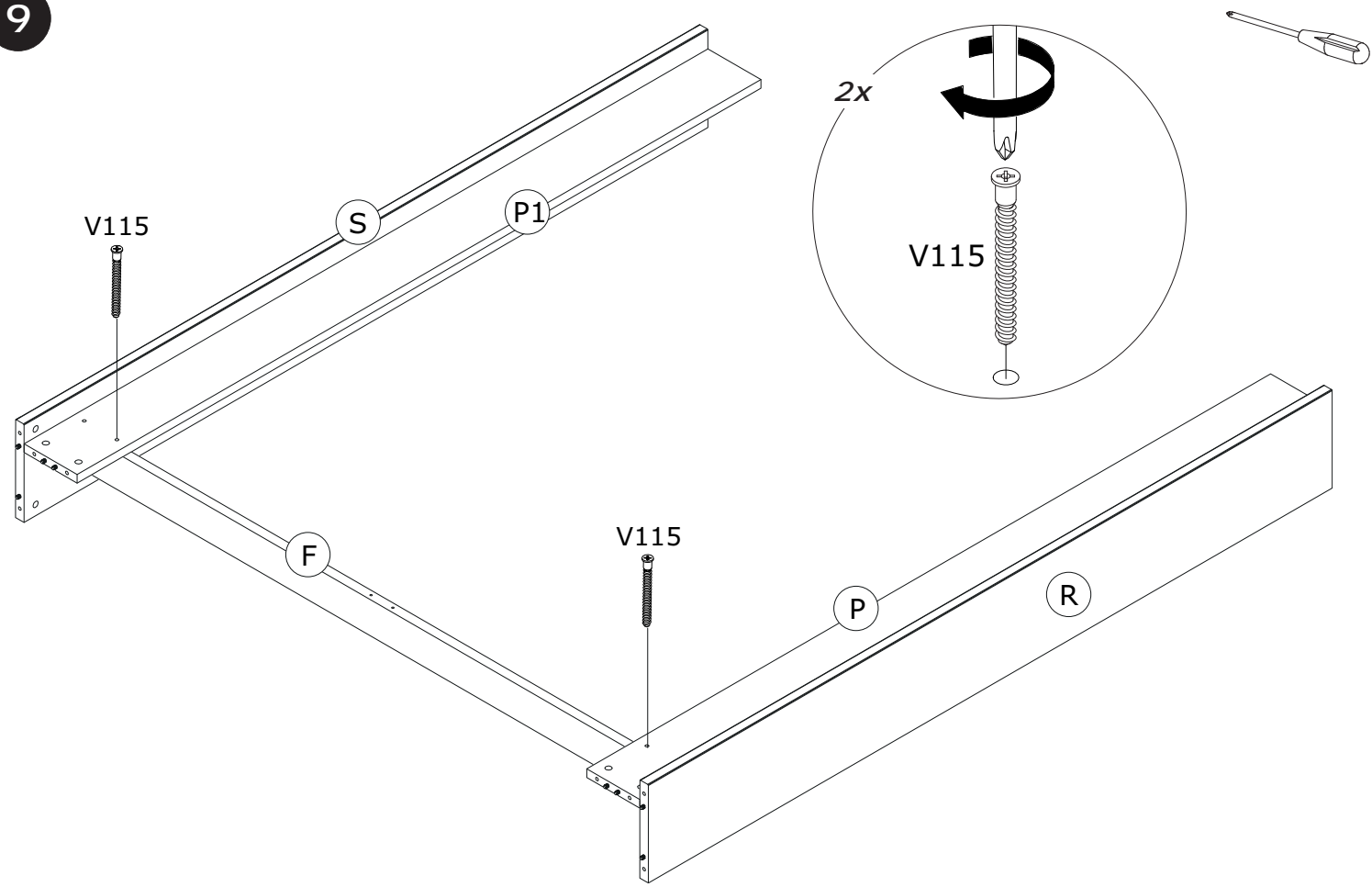
7



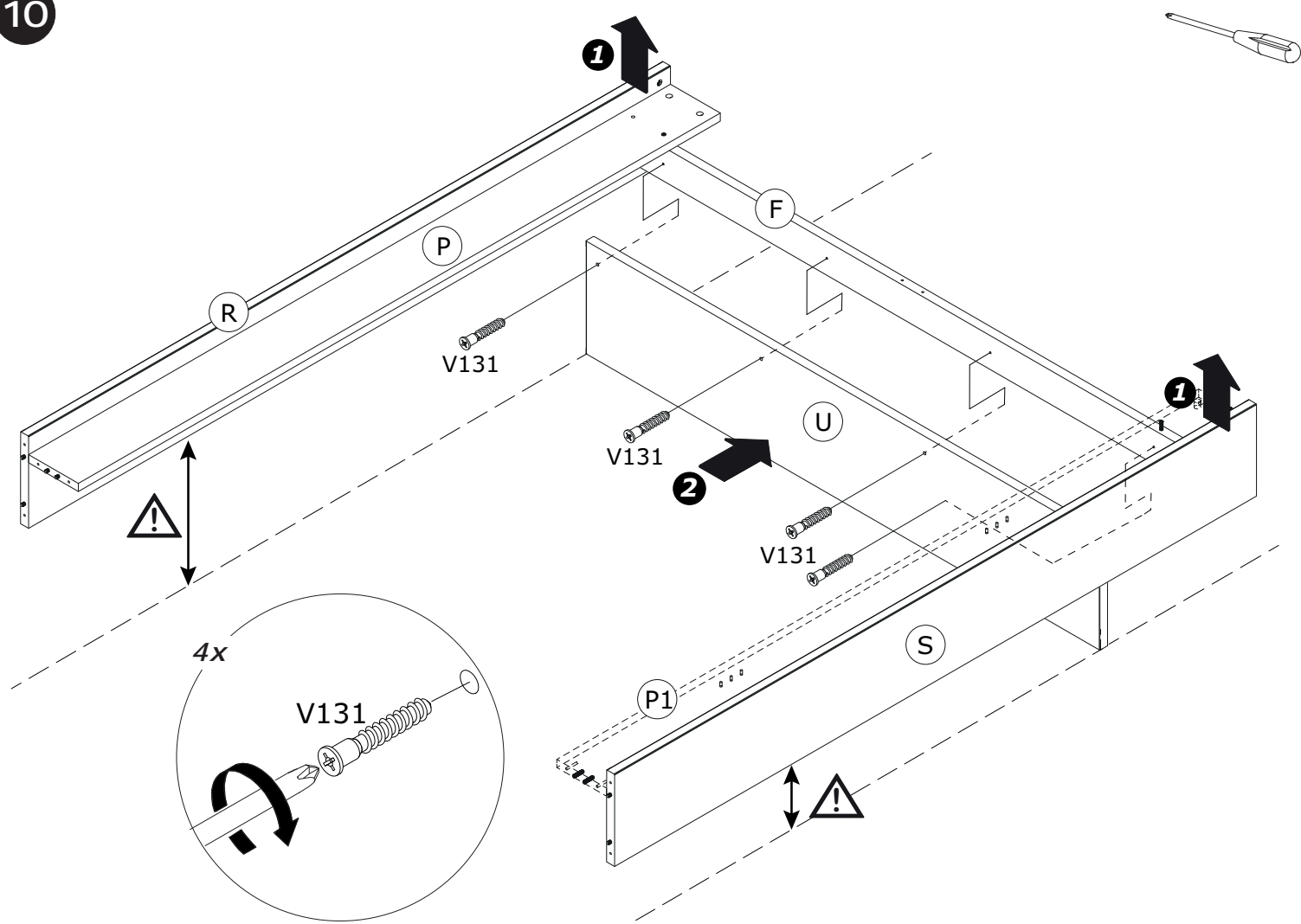
8



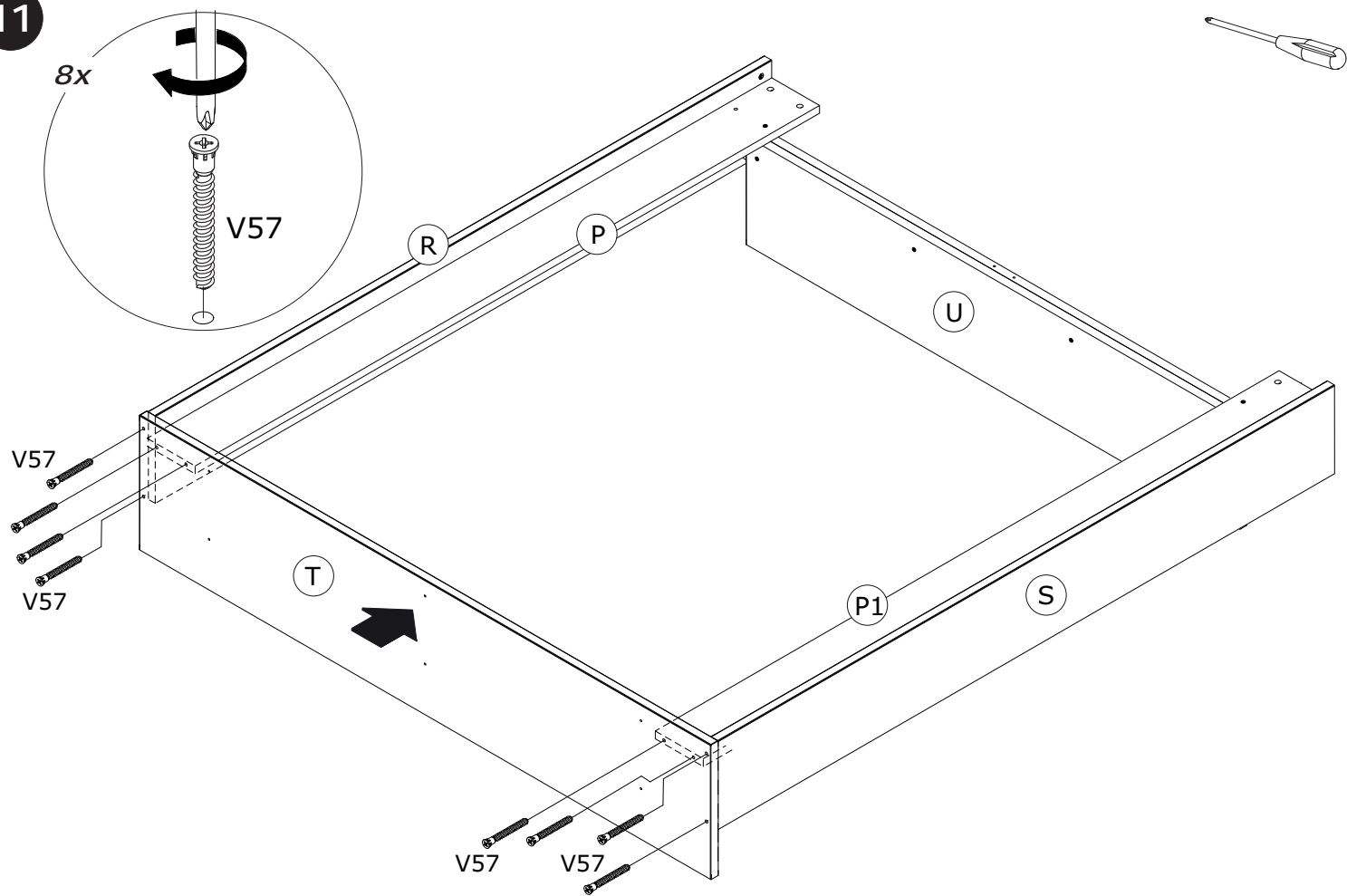
9



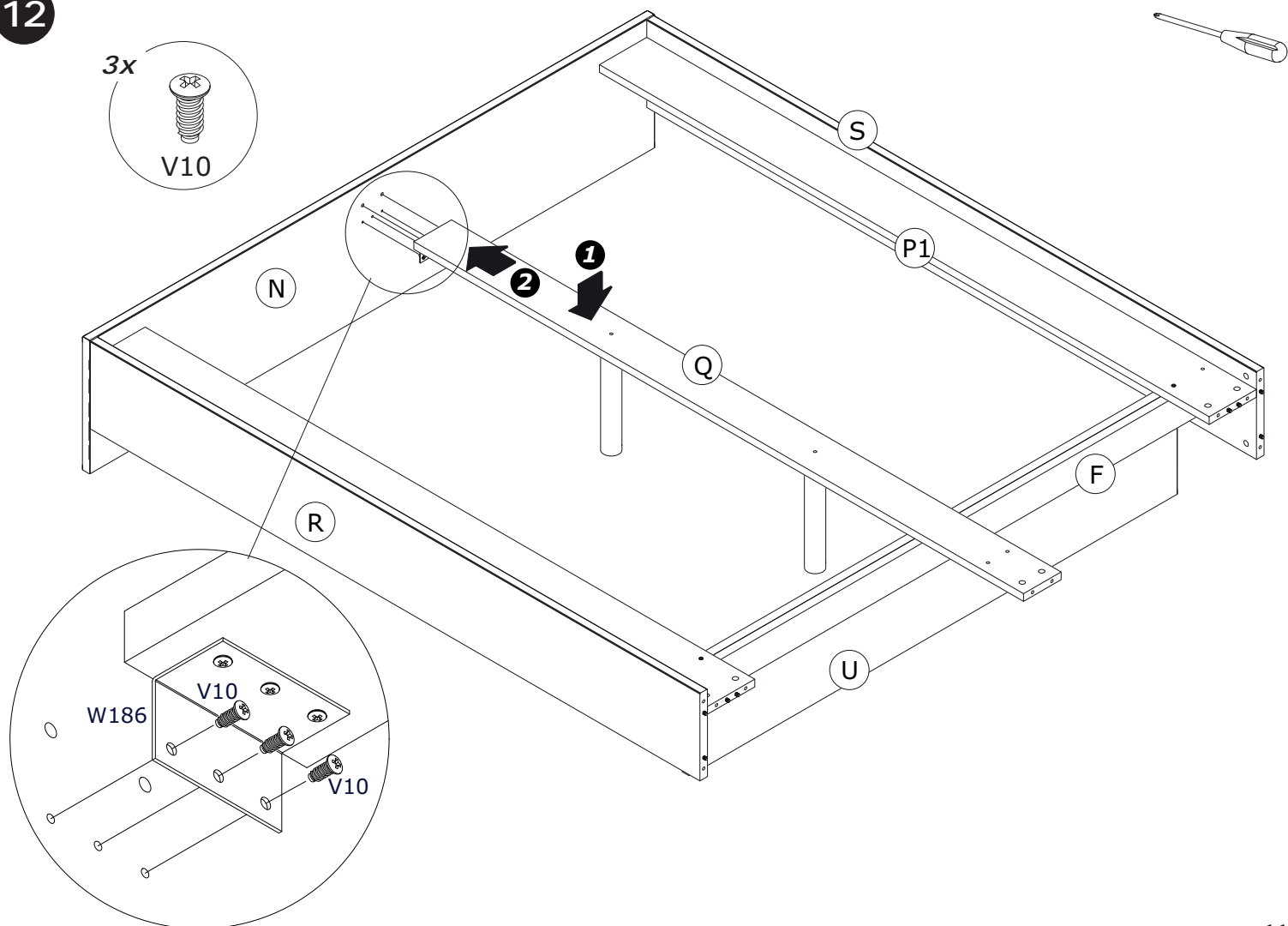
10

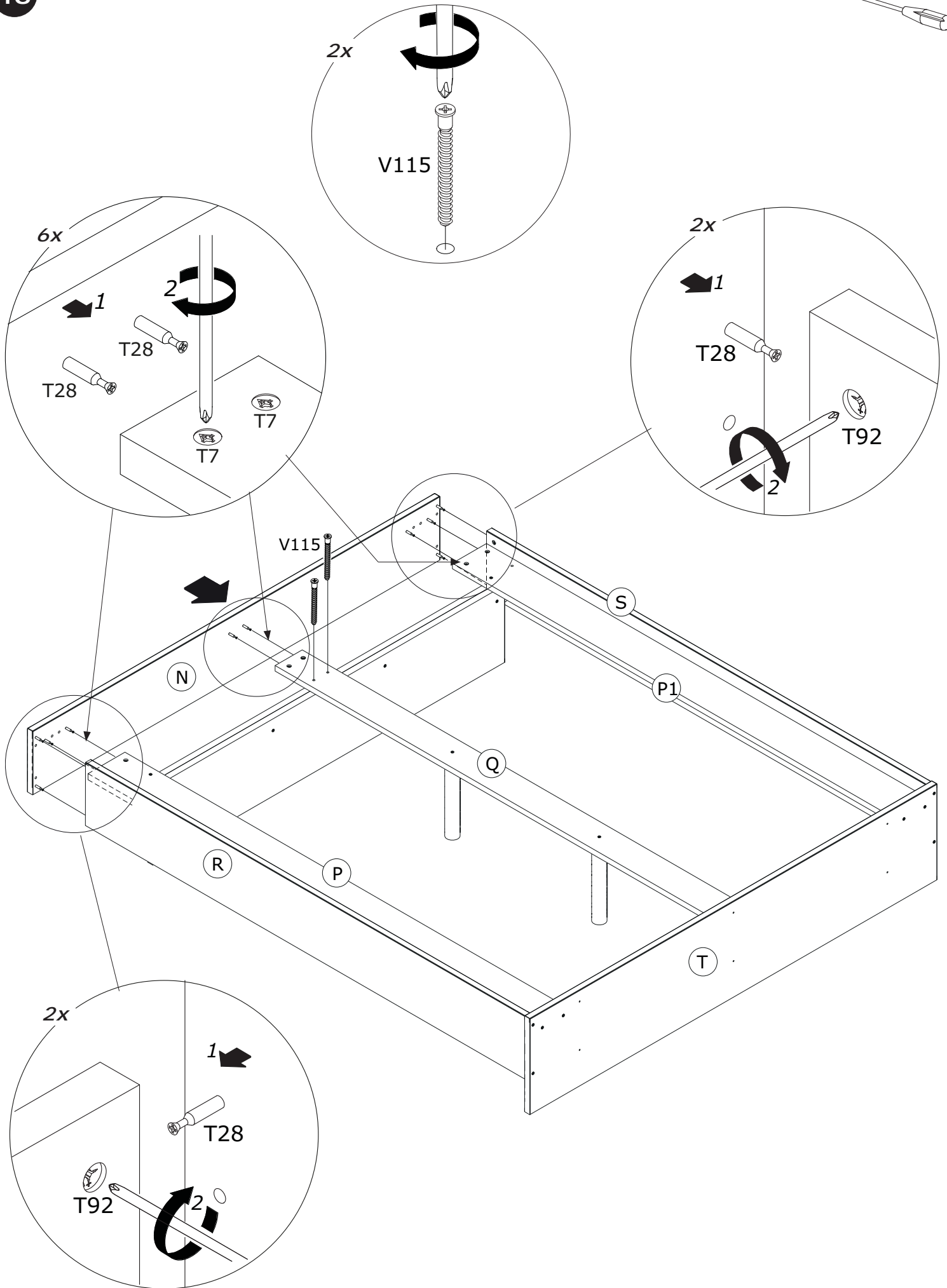
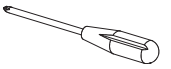


11

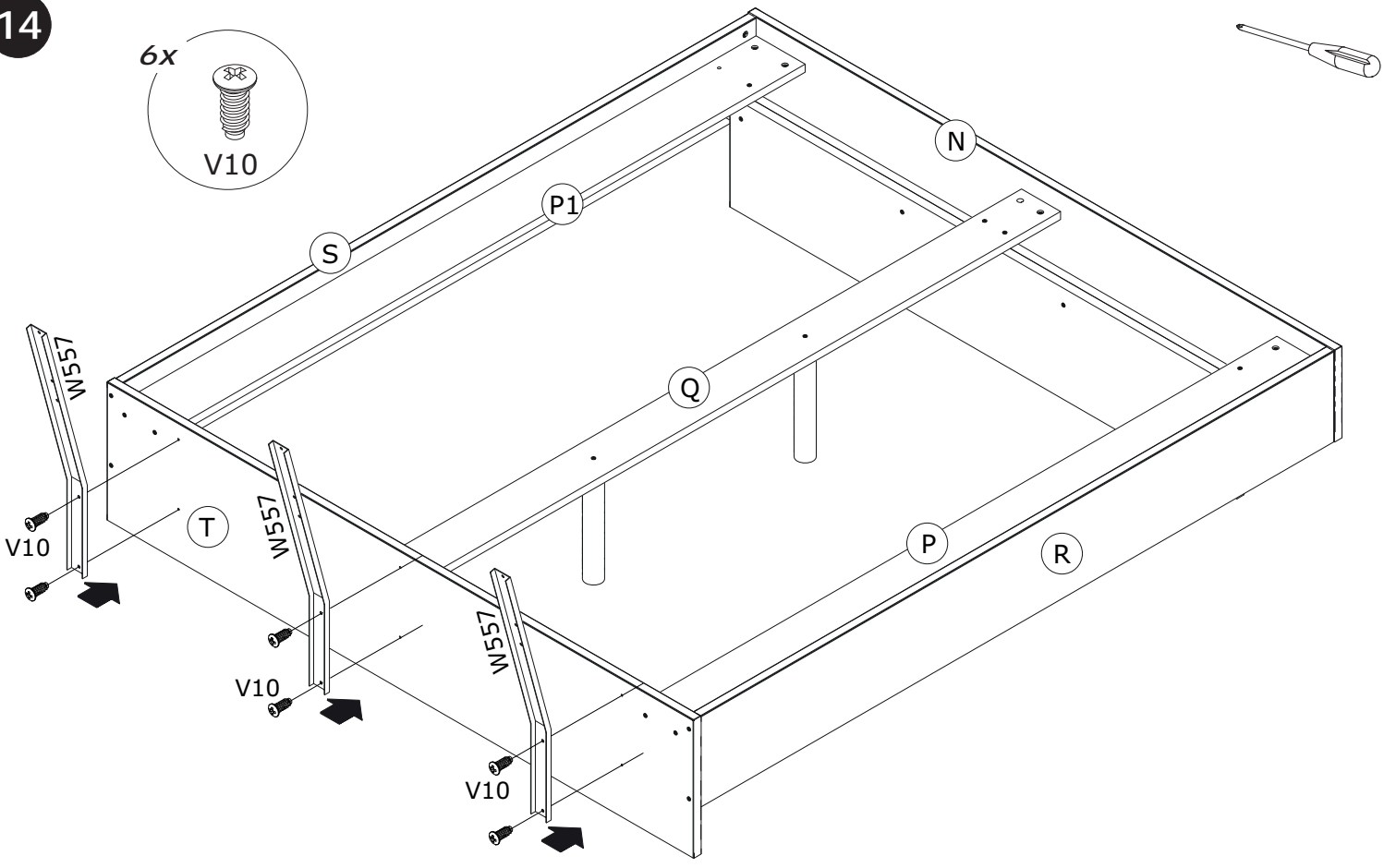


12

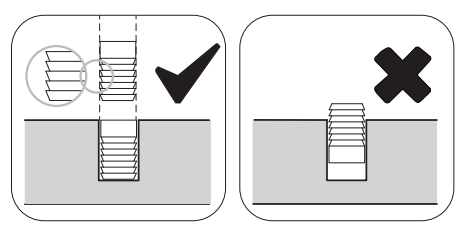
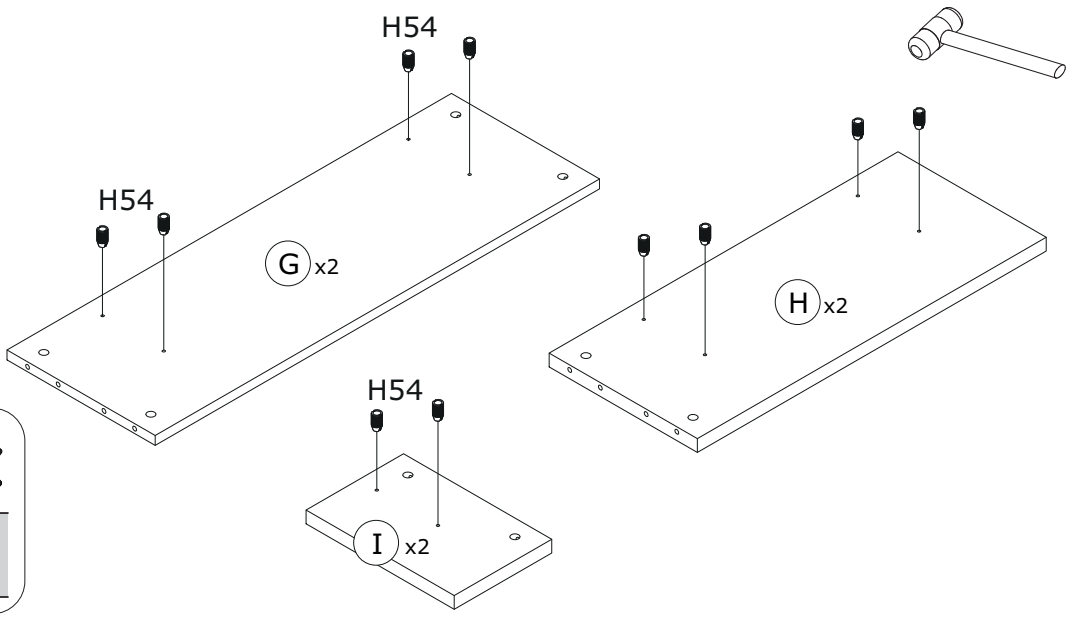
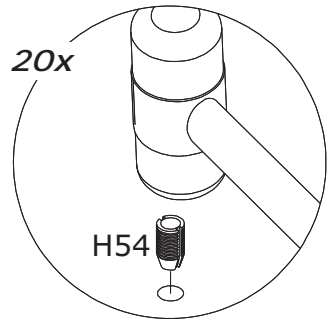




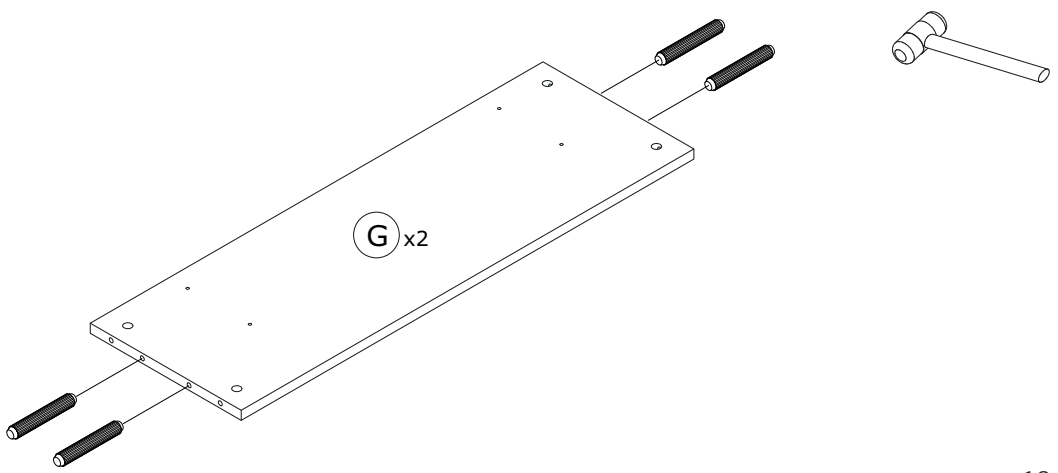
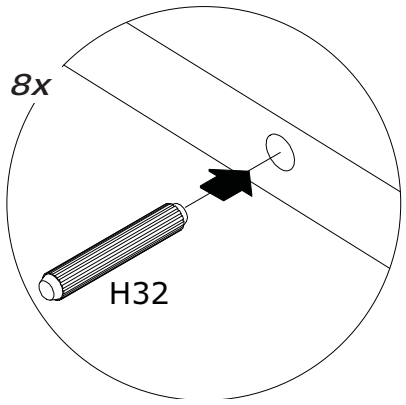
14



15

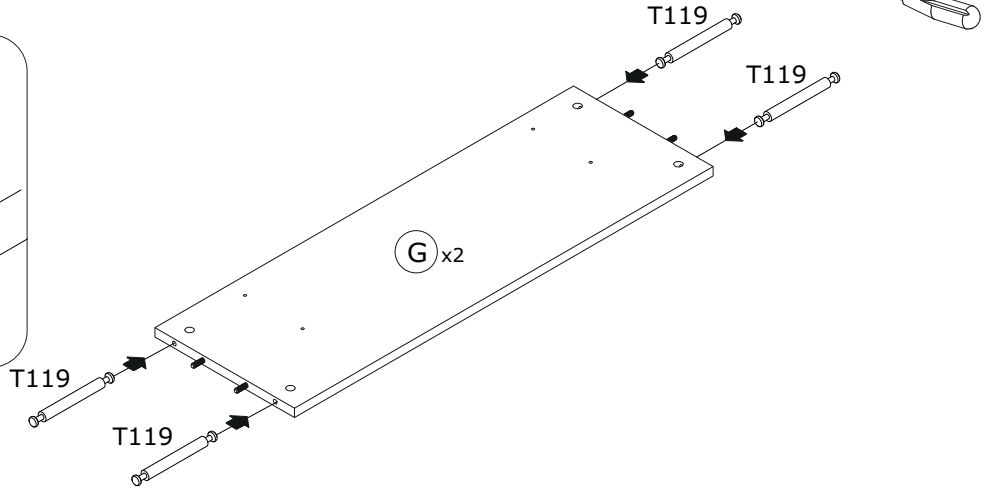
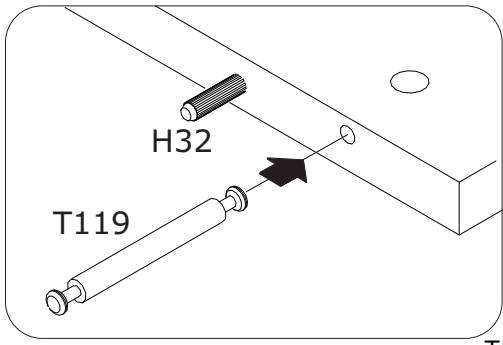


16



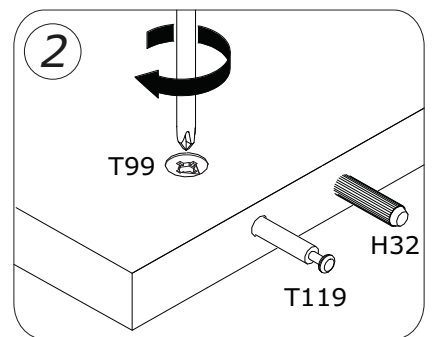
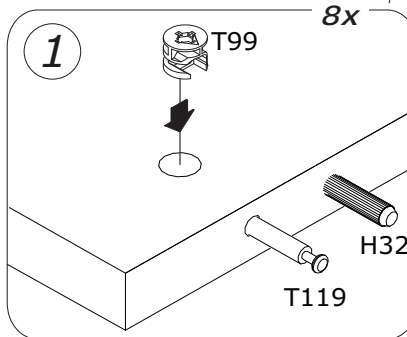
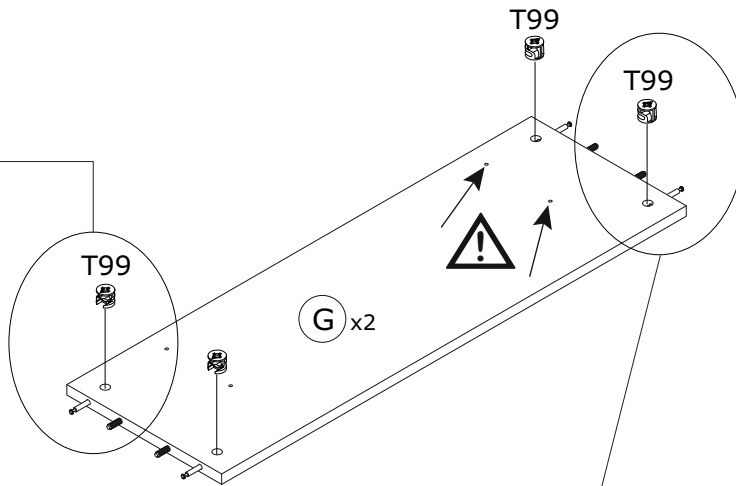
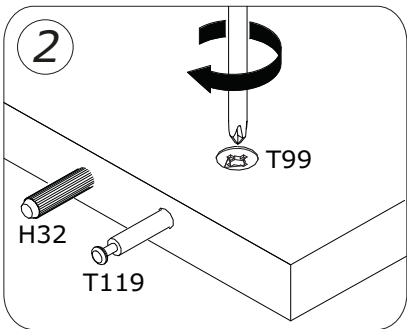
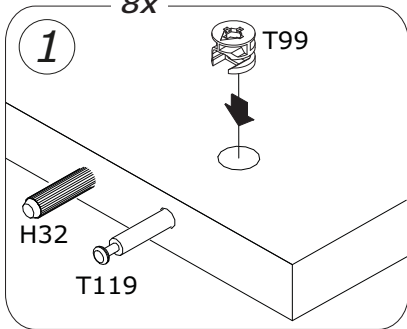
17

8x



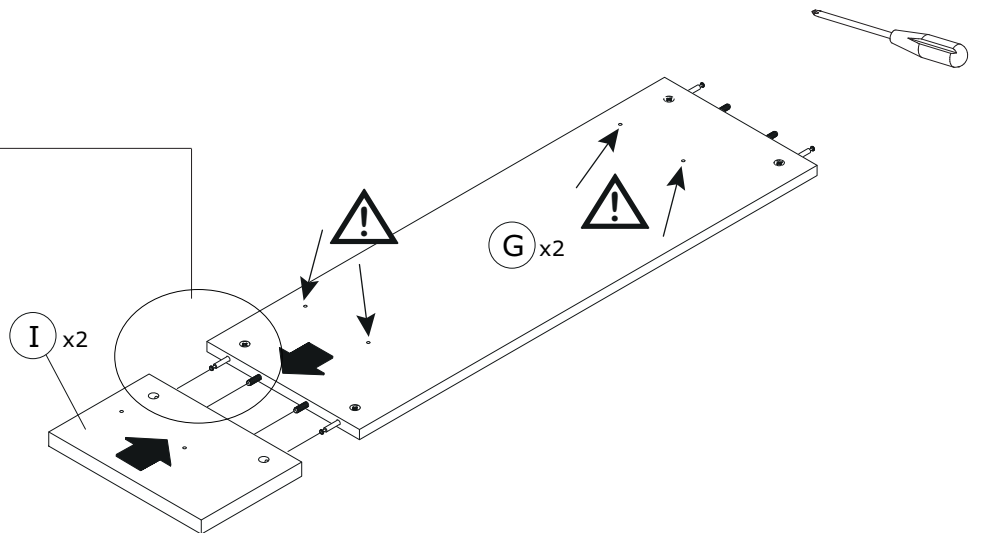
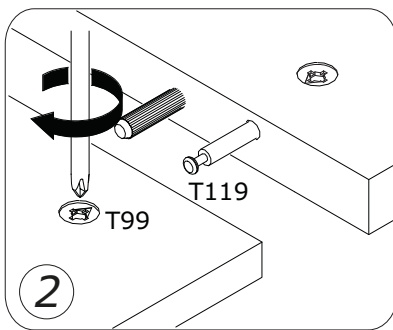
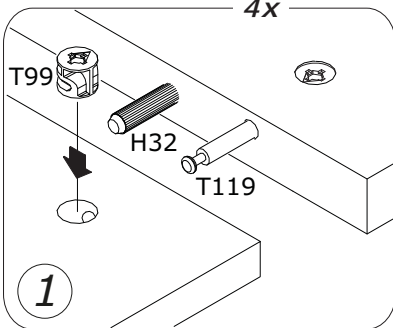
18

8x

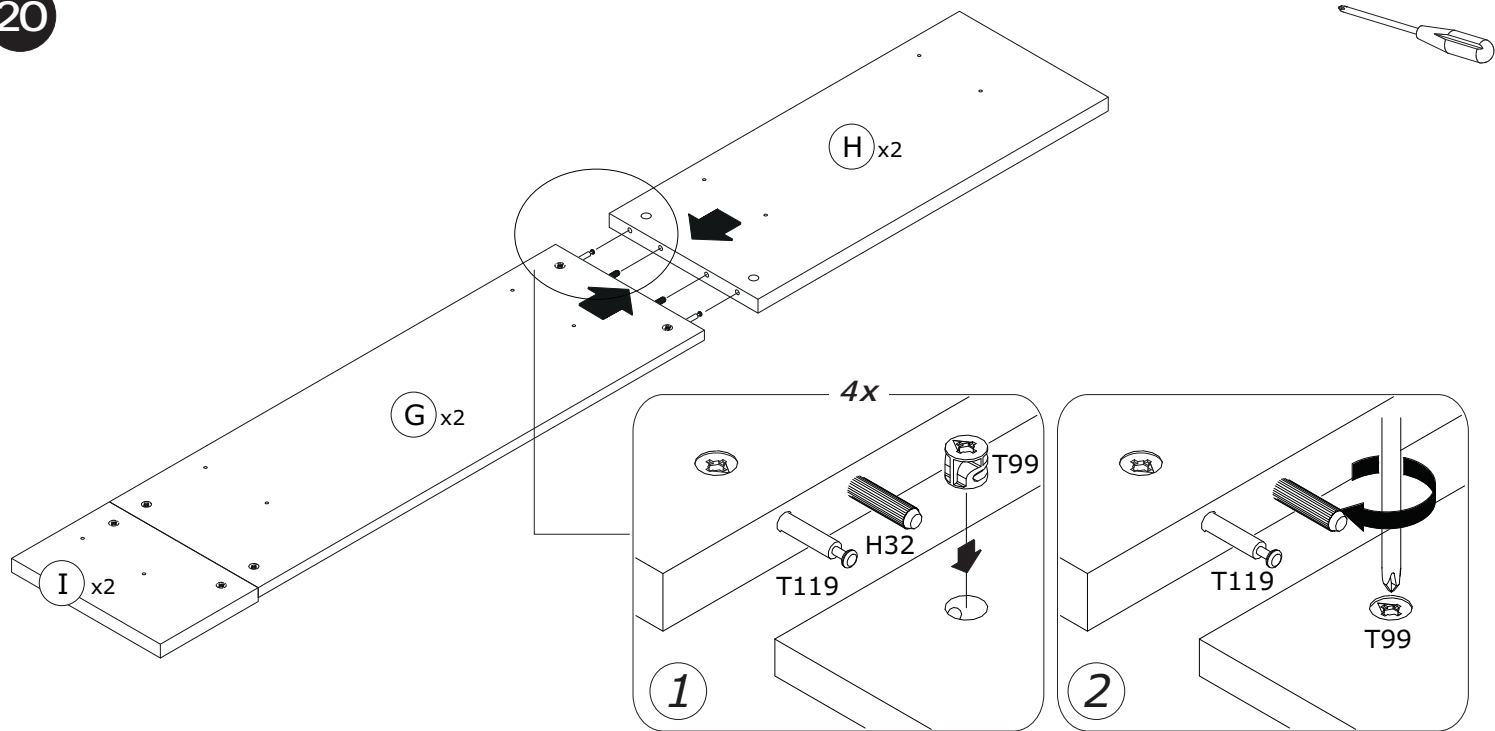


19

4x



20



21

