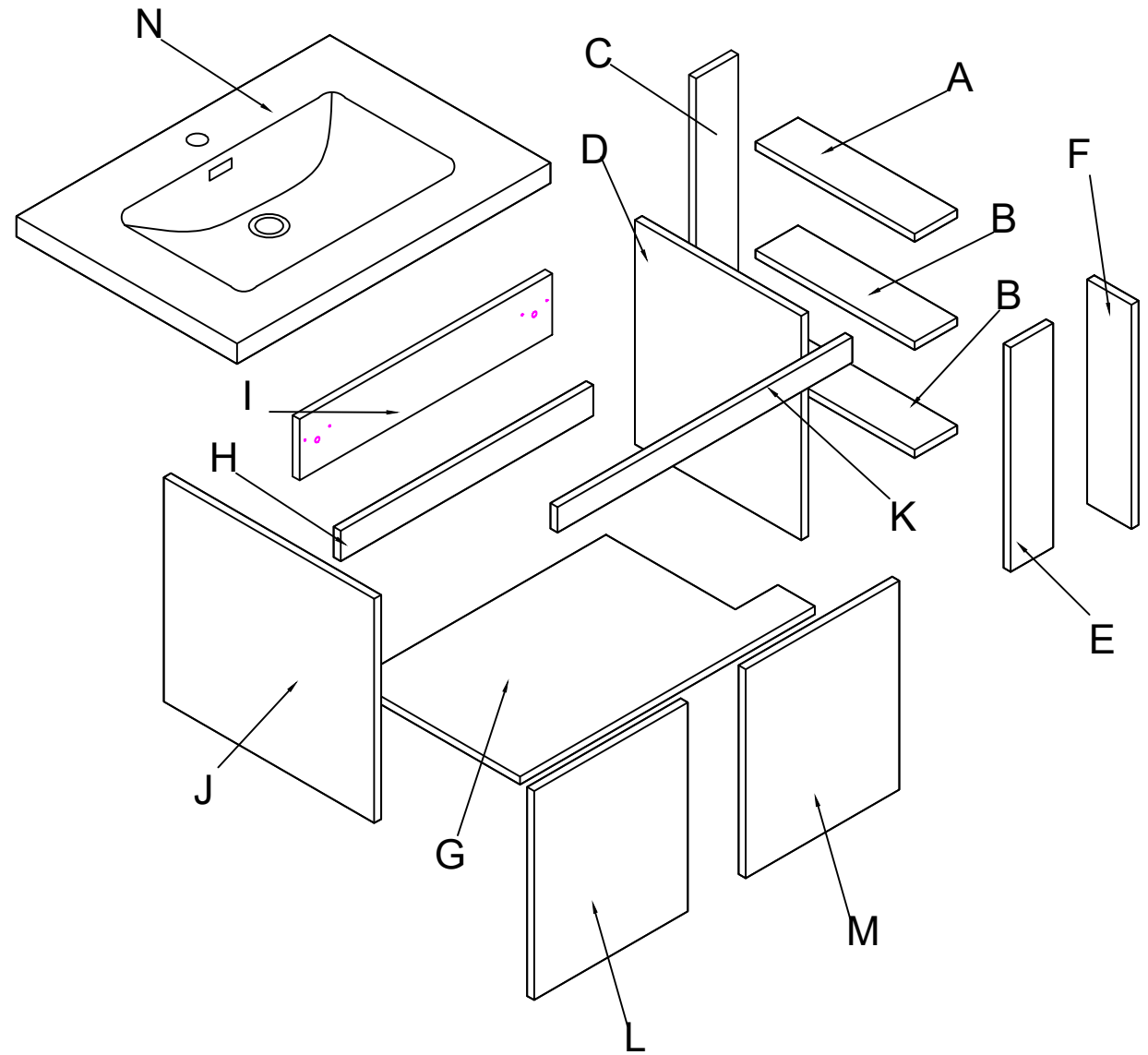


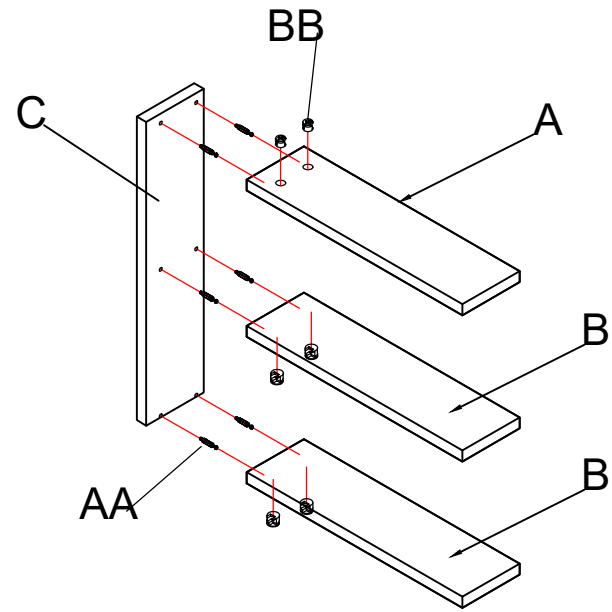
HYBC673





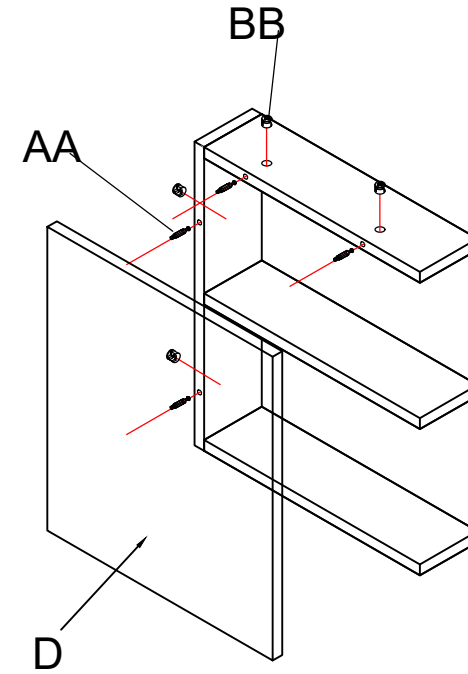
AA  x6

BB  x6



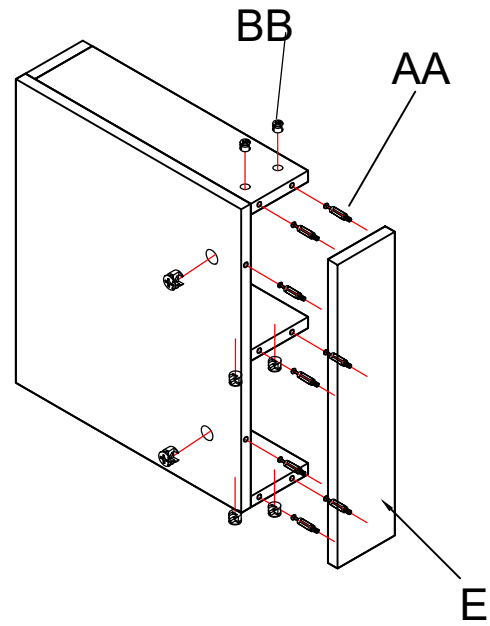
AA  x4

BB  x4



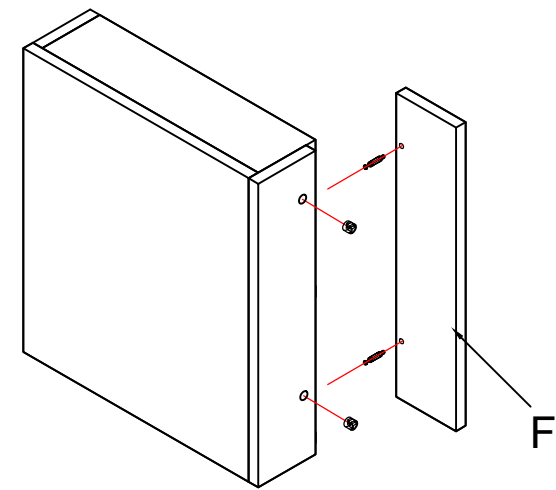
AA  x8

BB  x8



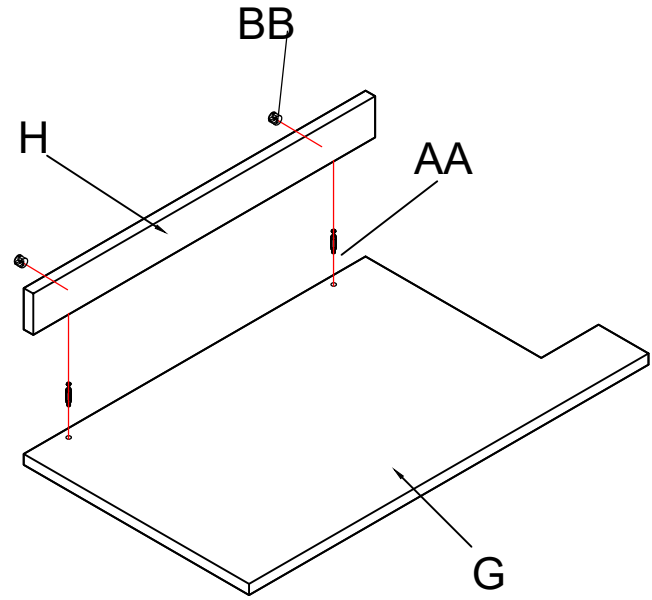
AA  x2

BB  x2



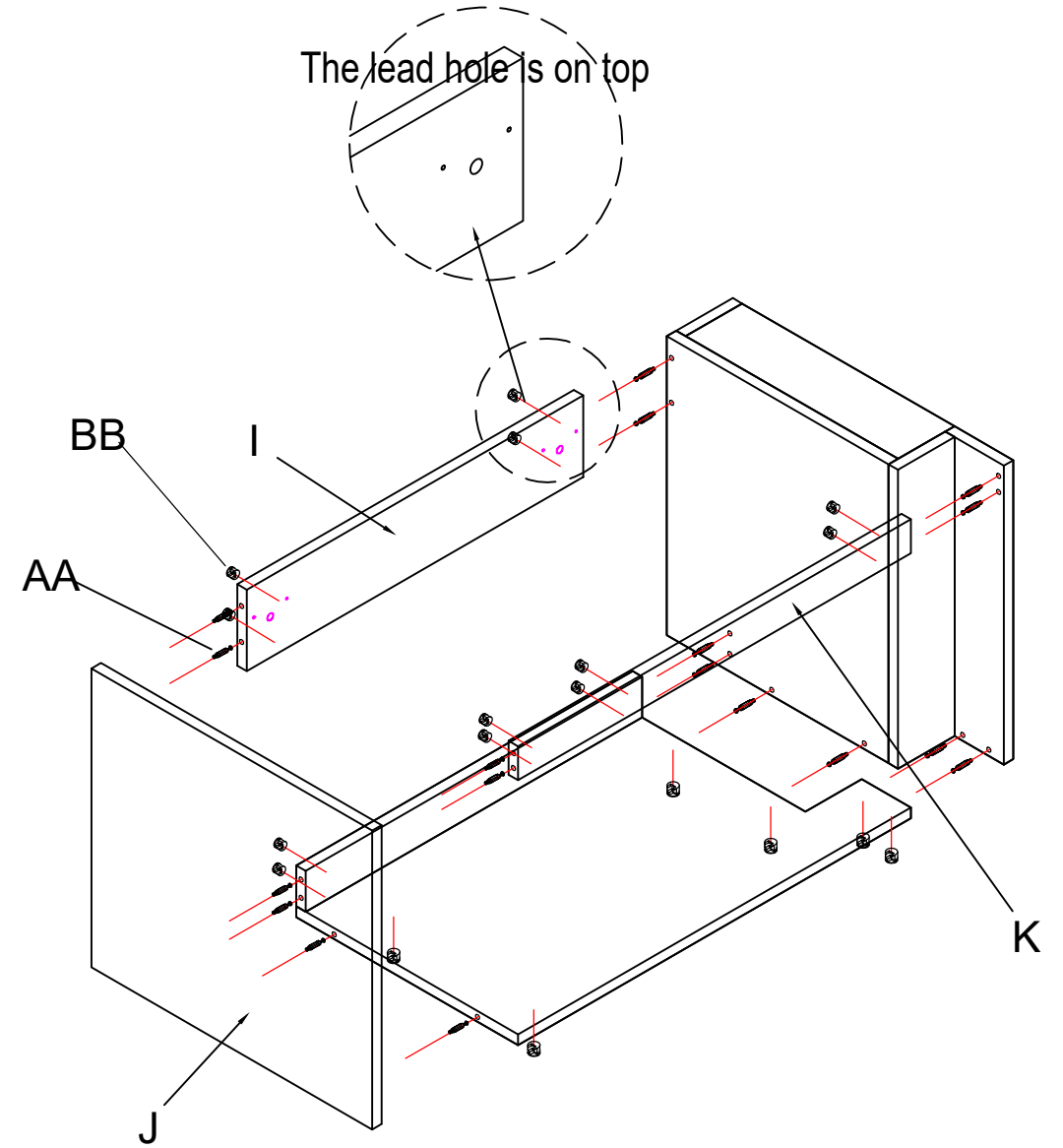
AA  x2

BB  x2

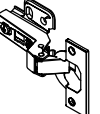


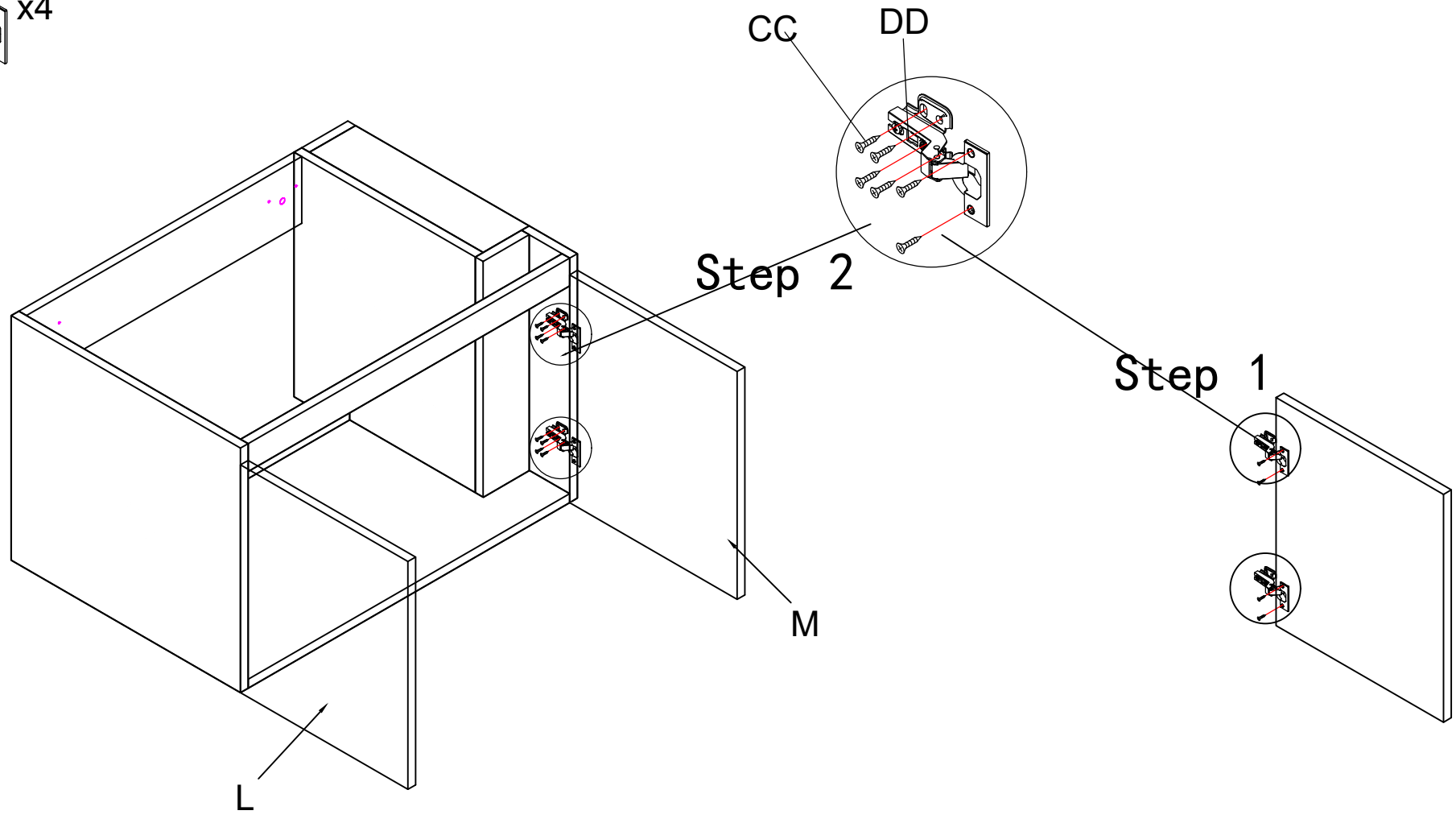
AA  x18

BB  x18




CC  x24

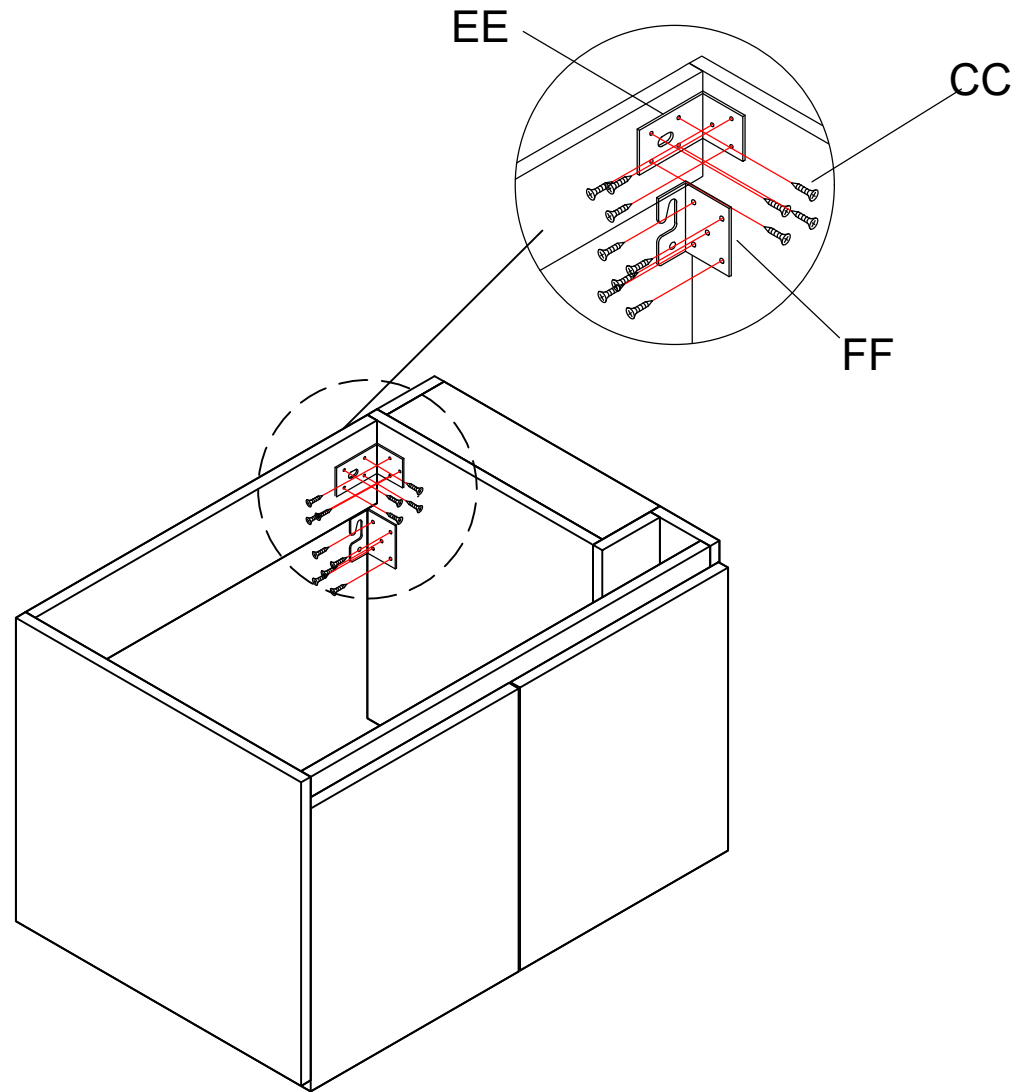
DD  x4



CC  x24

EE  x2

FF  x2



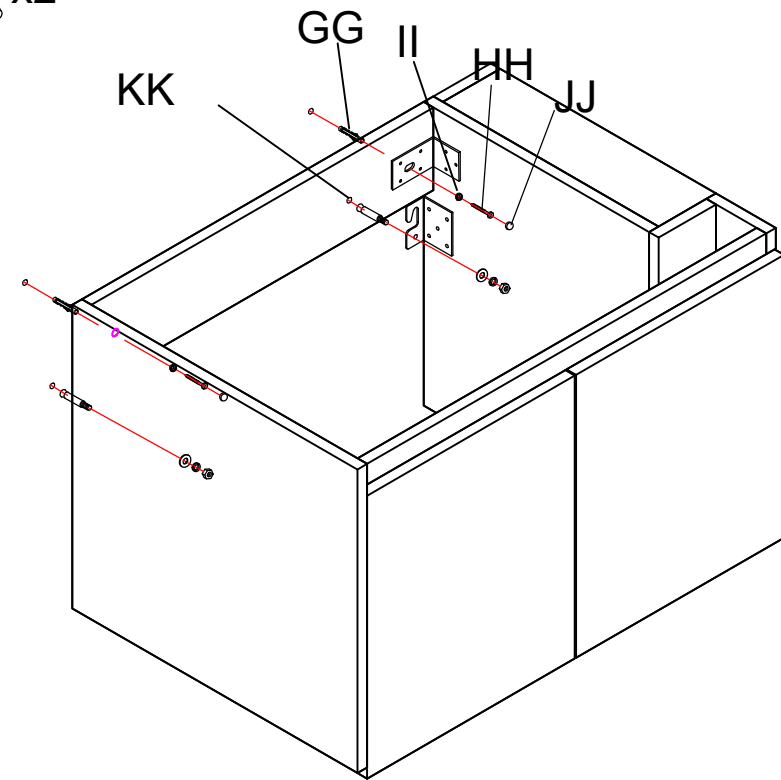
GG  x2

HH  x2


II  x2

JJ  x2

KK  x2



LL  x4

MM  x1

