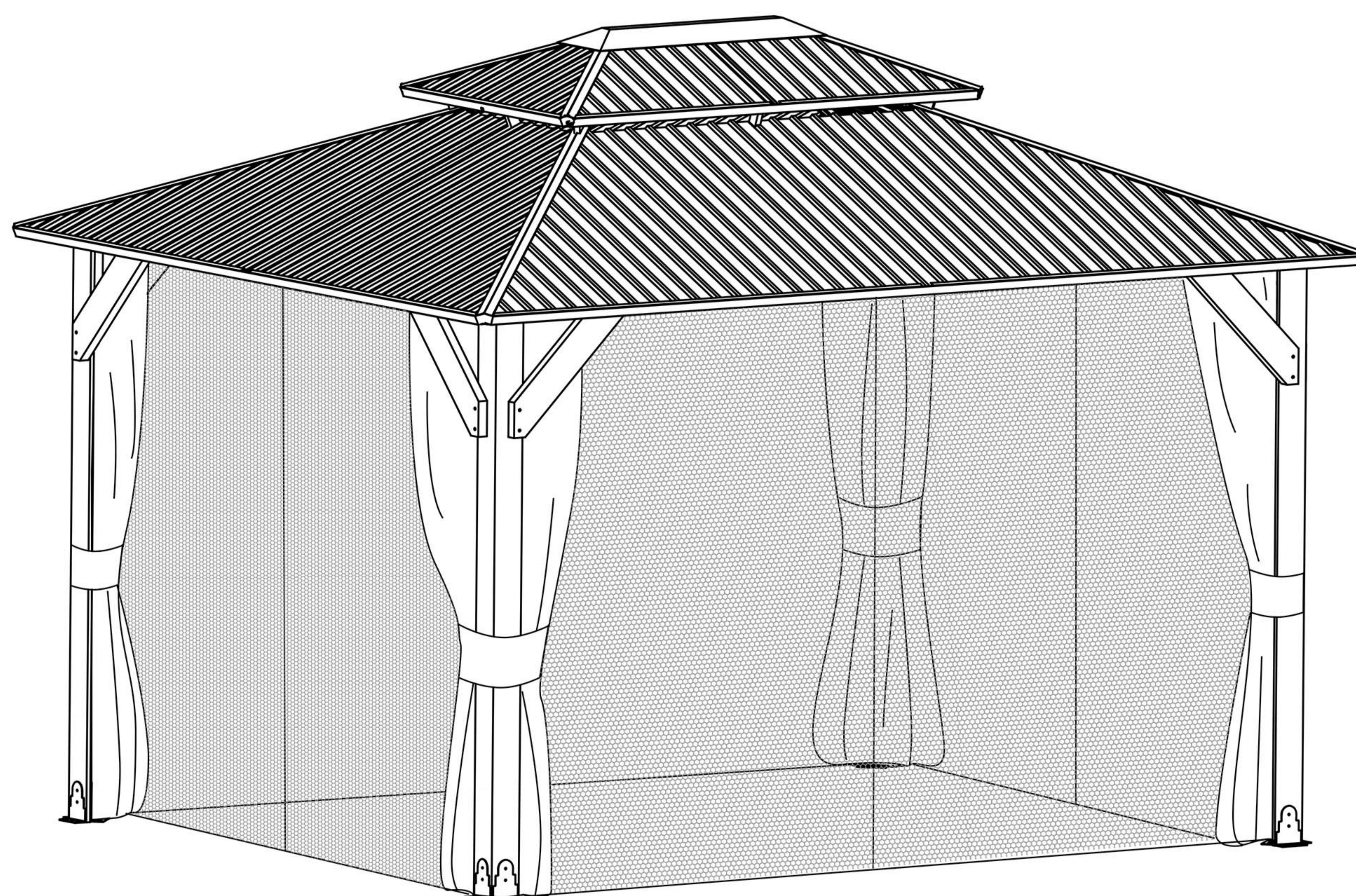


Metal Roof  
Cedar Wooden Gazebo 10X12FT

SKU: A001G053-1  
A001G053-2  
A001G053-3

# ASSEMBLY INSTRUCTIONS



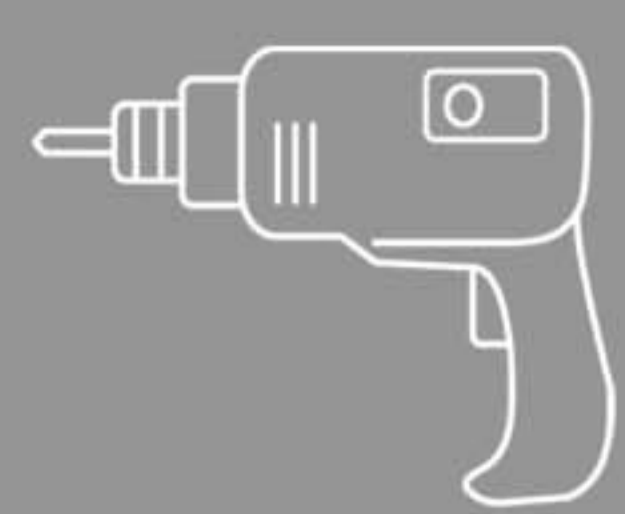
Please check the number of parts in the following accessory catalogue when unpacking. We have sent you more small parts for spare. If there is any missing or any questions about the installation. Please feel free to contact us. We will reply within 24 hours.



E-mail: [cs.helper01@gmail.com](mailto:cs.helper01@gmail.com)

## TOOLS RECOMMENDED

\*NOTE: The recommended tools are not included in boxes and need to be prepared by yourself.



DRILL



RUBBER Mallet



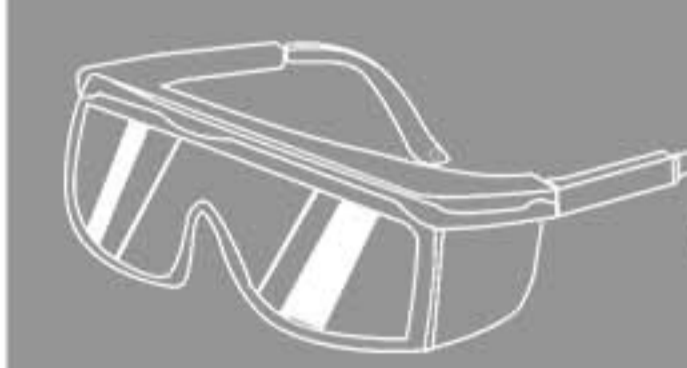
STEPLADDER  
(6.5Ft Or More)



SAFETY HAT



GLOVES



SAFETY GOGGLES

## ATTENTIONS



Since it is easy to lose many small accessories during the installation, please collect all the screw accessories before the assembly is completed



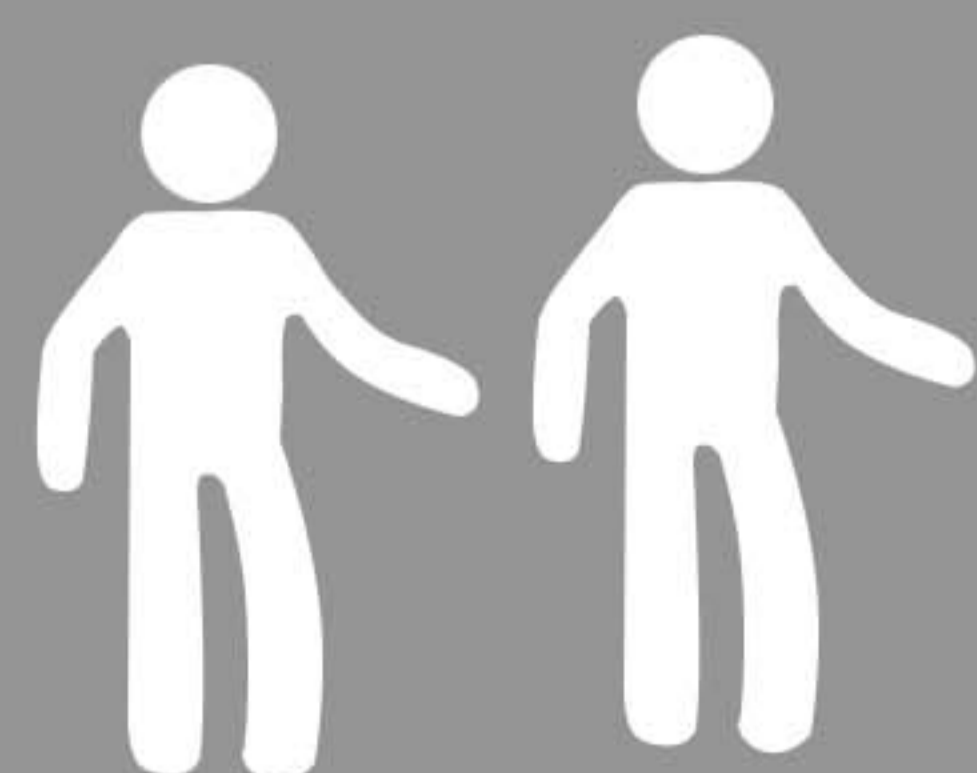
To better align the screws for practical situations, do not fully tighten screws initially



Please reinforced the Gazebo and do not use in heavy winds or inclement weather



Make sure all screws are tightened before use and check all screws, buckles and straps every 90 days



Two or more people are required for assembly



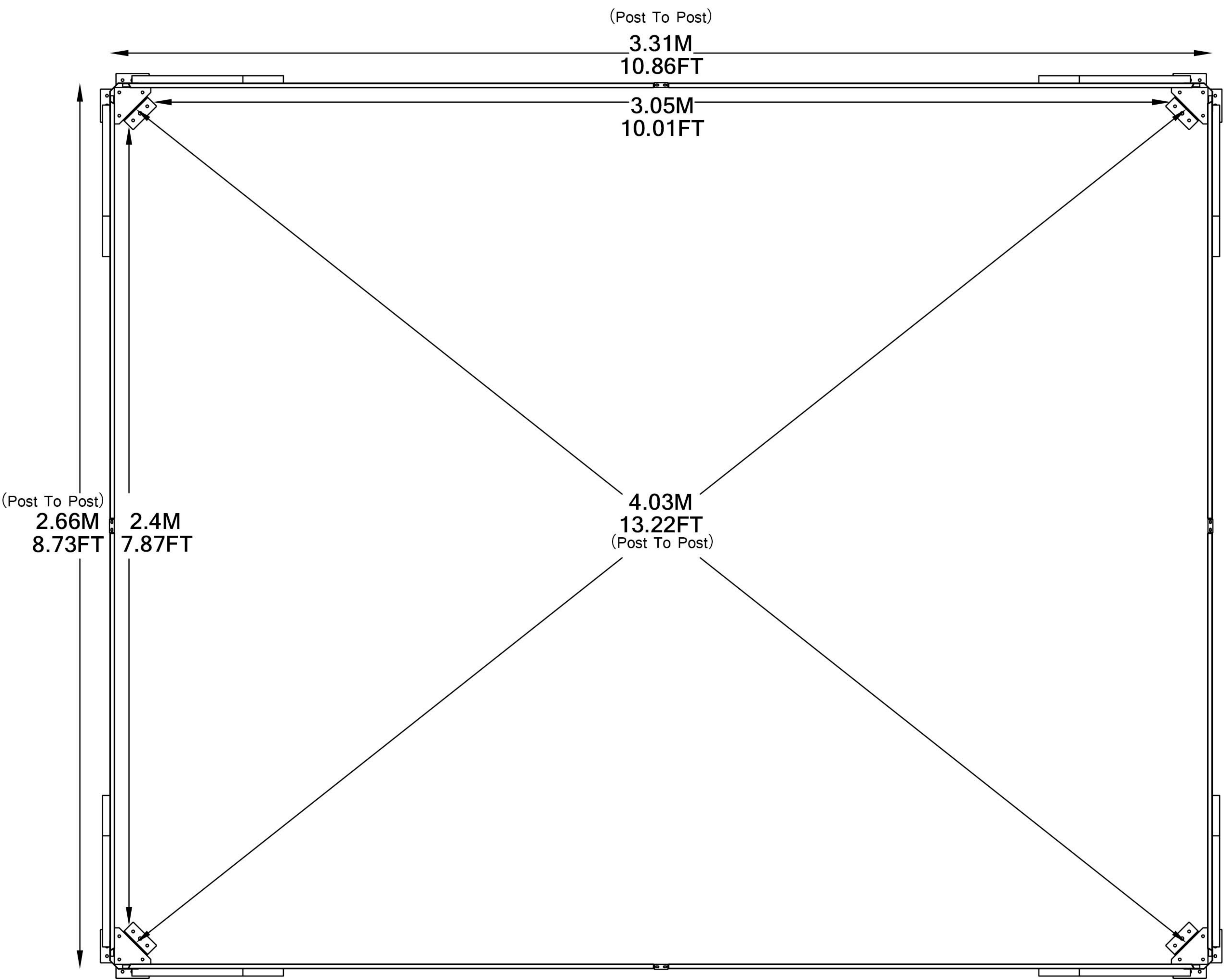
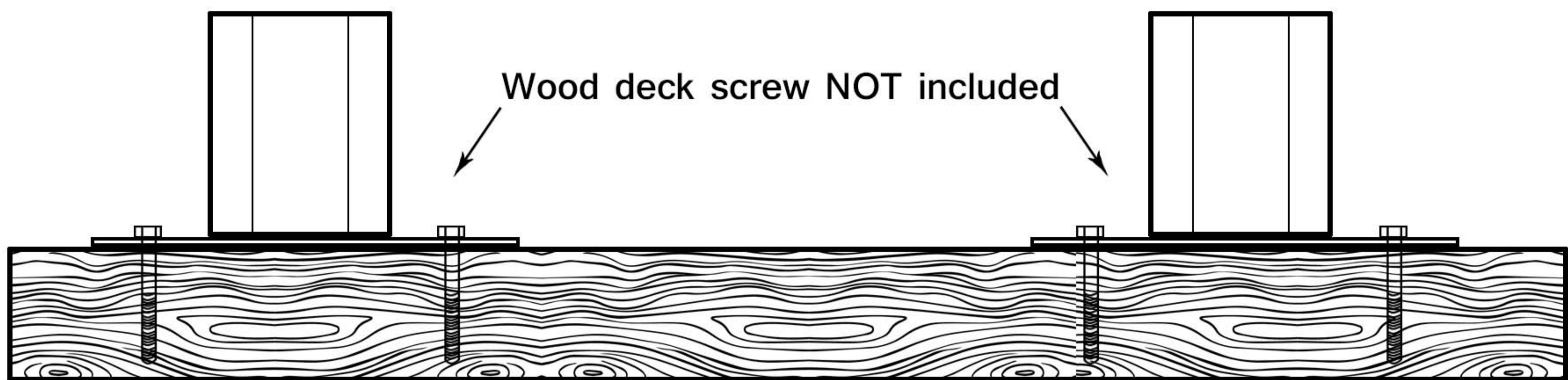
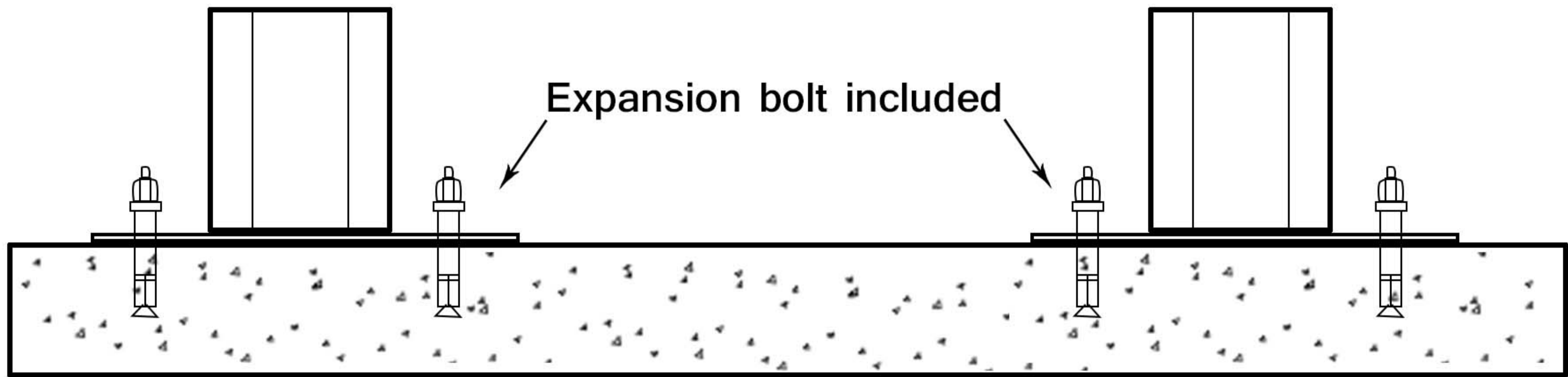
Please clear the snow off the roof in time for the heavy snowfall and do not use it

Please take care of the screws and contact the after-sales service if there is any problem with the installation or parts.



# Permanent Installation Examples

Our supporting expansion screws can only be used for cement floors, customers need to bring their own special screws if they are used for wood floors

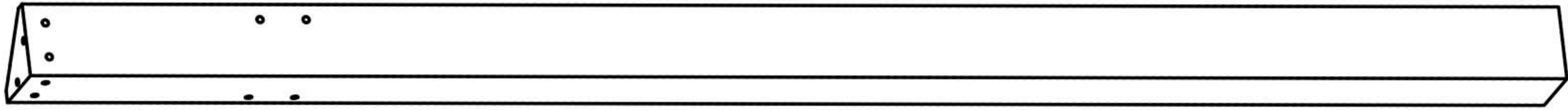
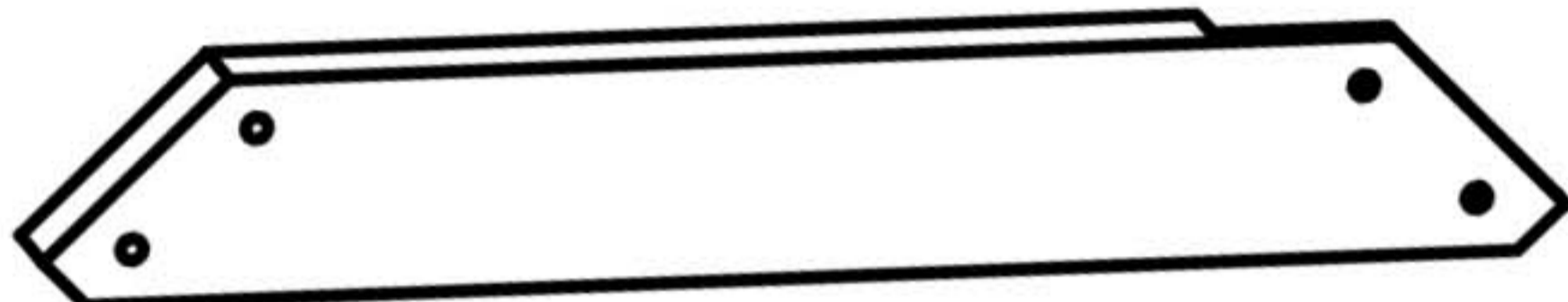
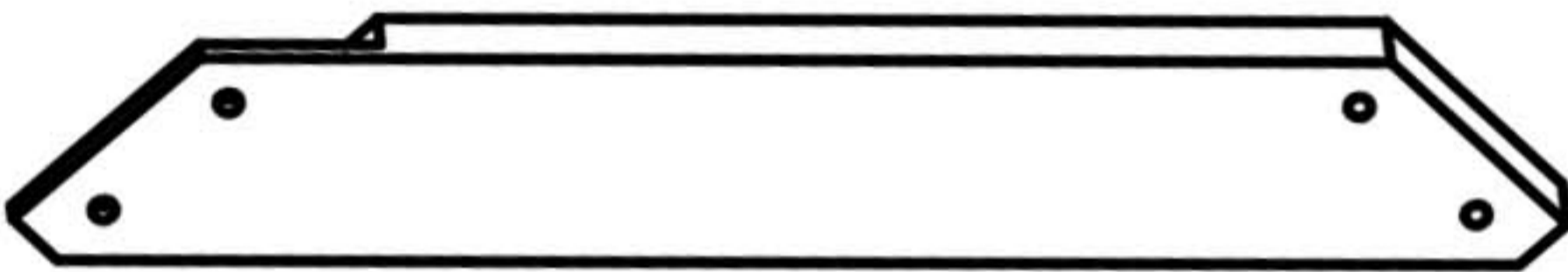
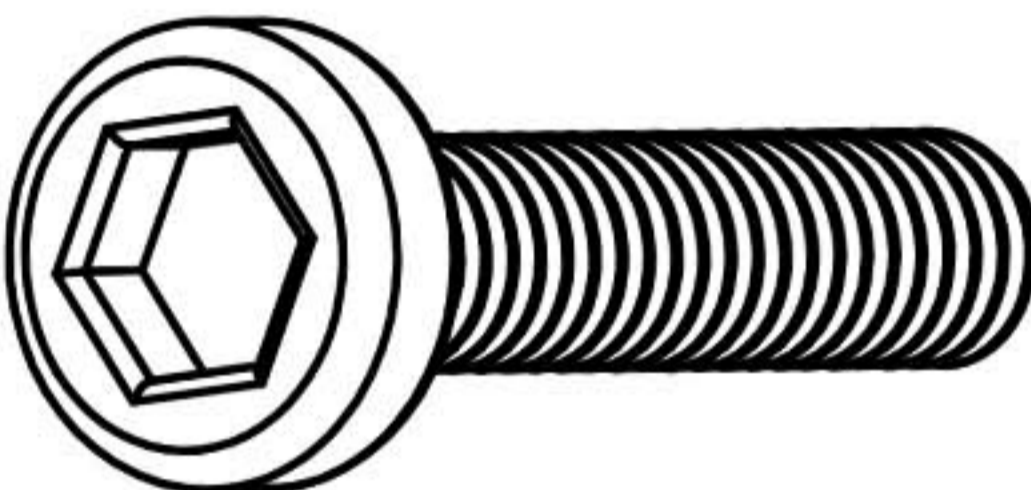
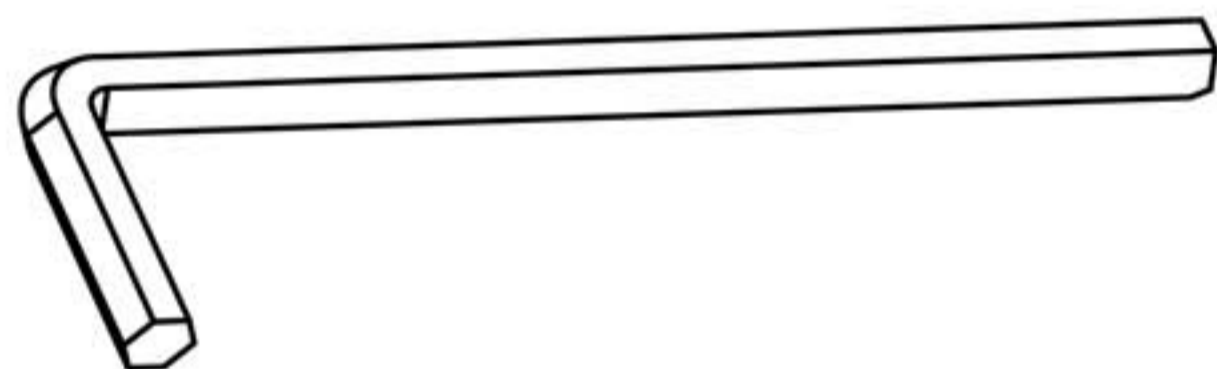


Please take care of the screws and contact the after-sales service if there is any problem with the installation or parts.

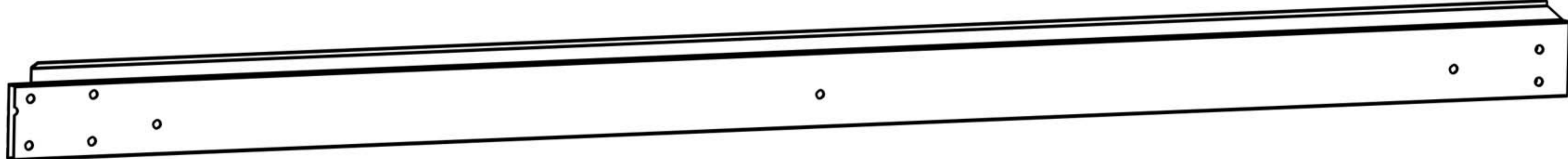
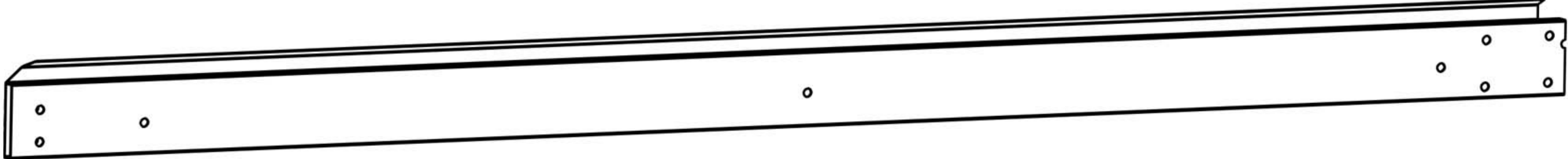
➔ ✉ E-mail: [cs.helper01@gmail.com](mailto:cs.helper01@gmail.com)

# ACCESSORY CATALOGUE

## BOX 1 SKU: A001G053-1

Item no.	Reference Image	Qty.
<b>A</b>		4
<b>F</b>		4
<b>F1</b>		4
<b>X</b>	 M8X40mm	16
<b>1</b>		1

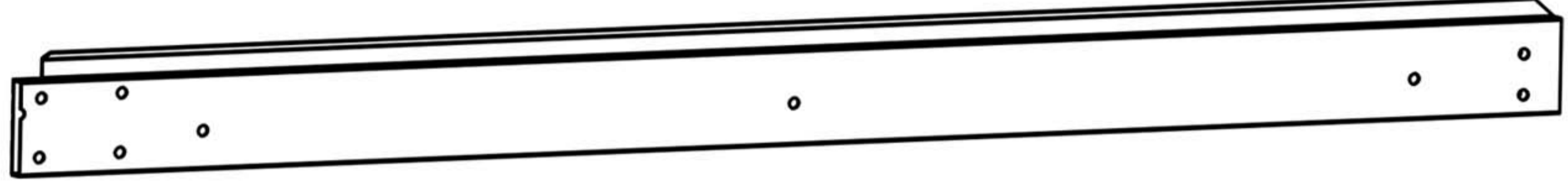
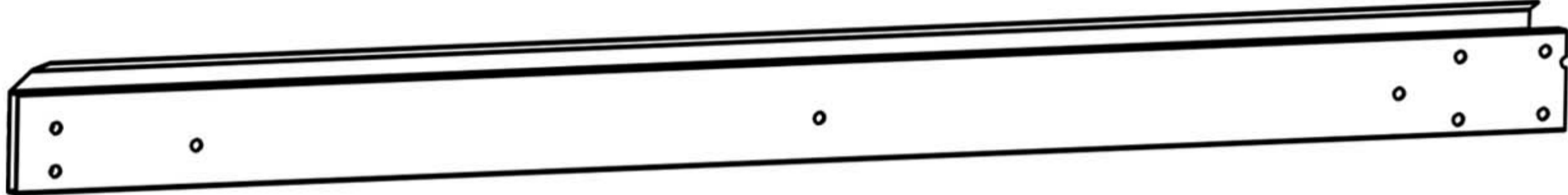
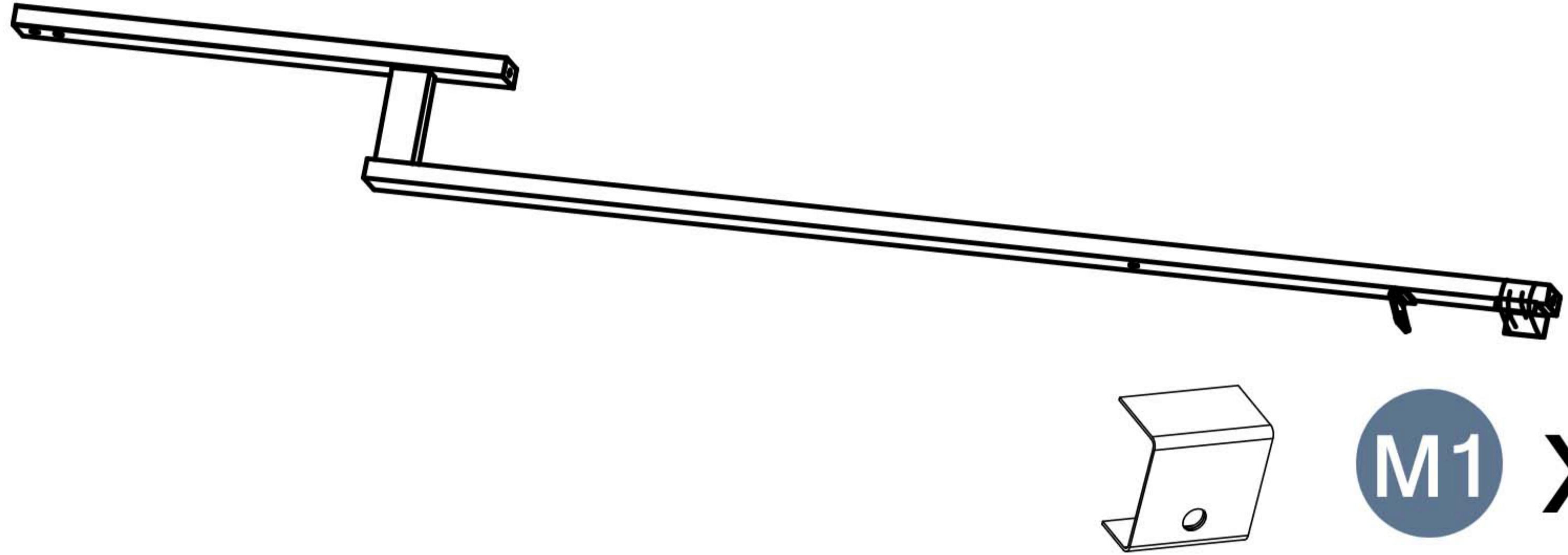
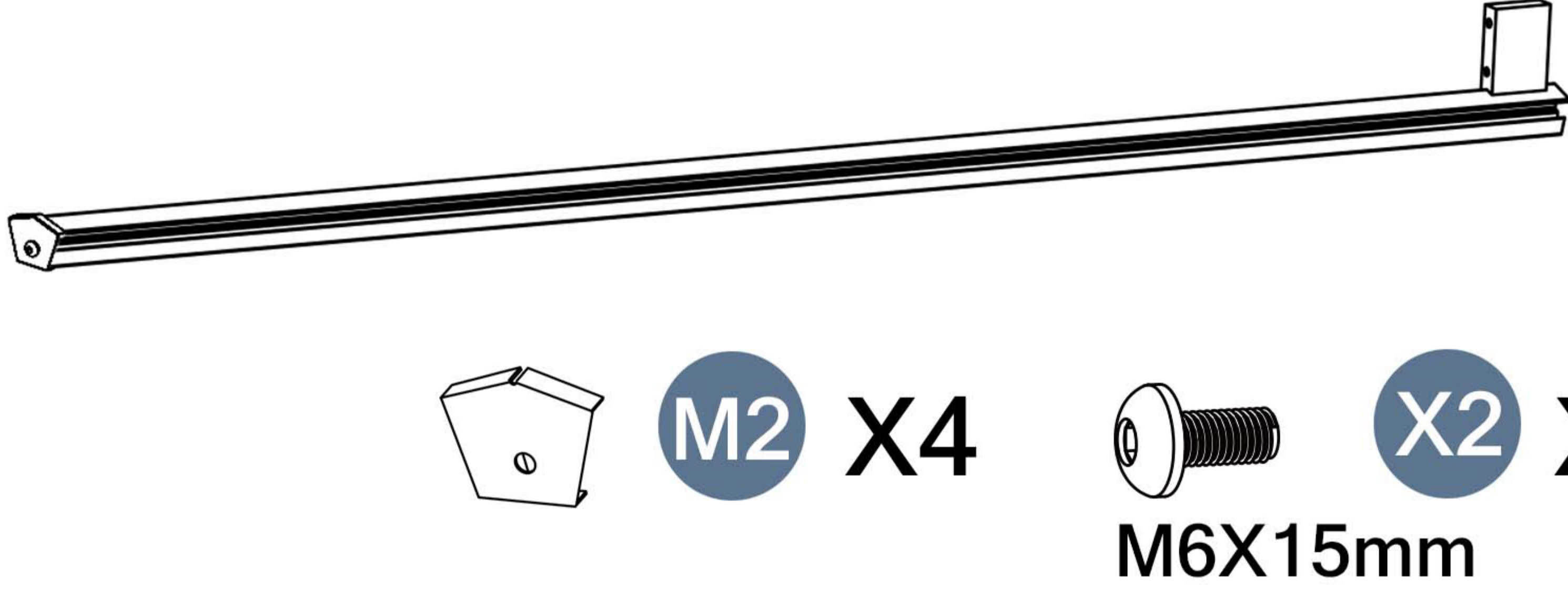
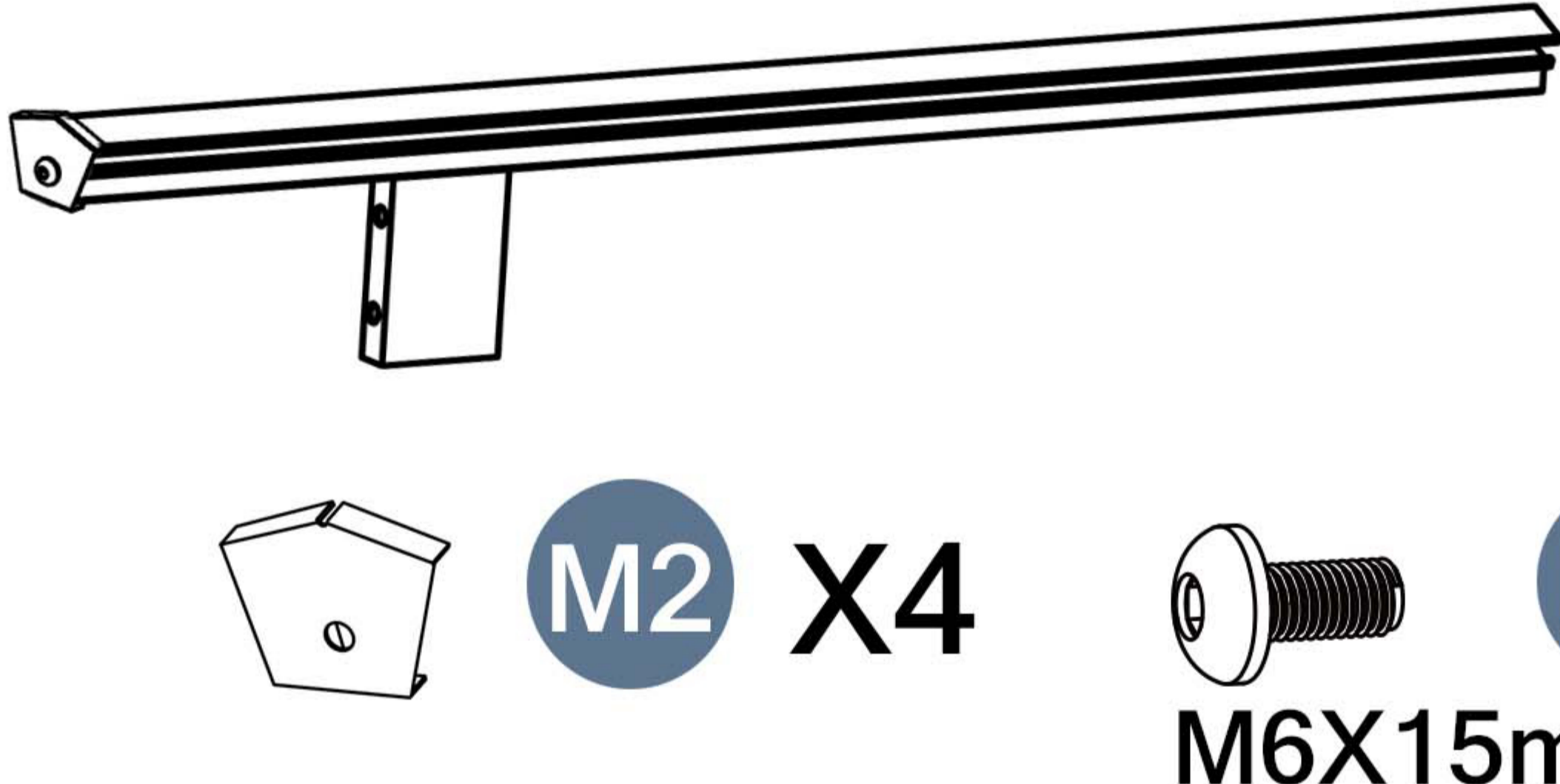
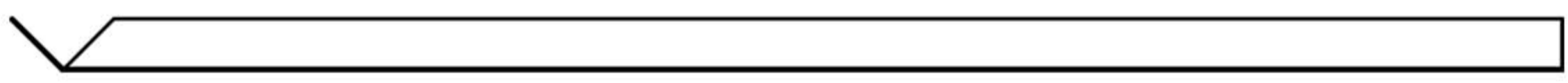
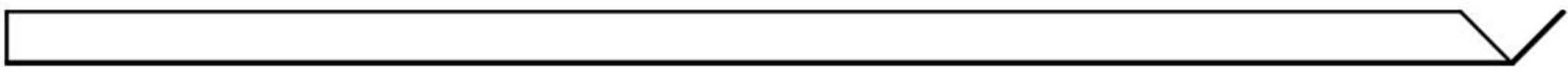
## BOX 2 SKU: A001G053-2

Item no.	Reference Image	Qty.
<b>B</b>		2
<b>B1</b>		2

Please take care of the screws and contact the after-sales service if there is any problem with the installation or parts.



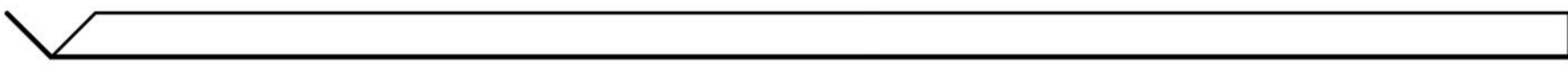
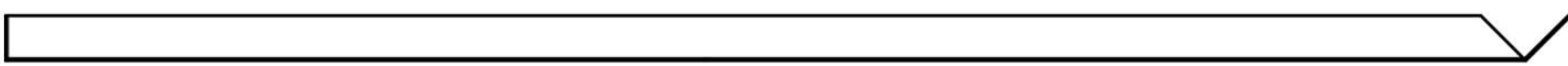
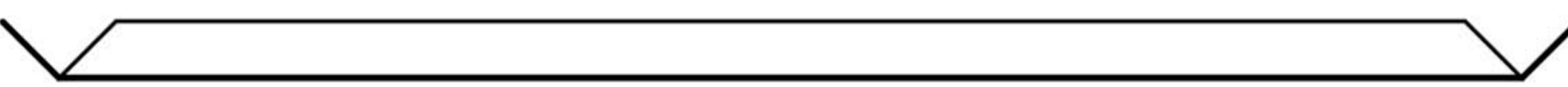


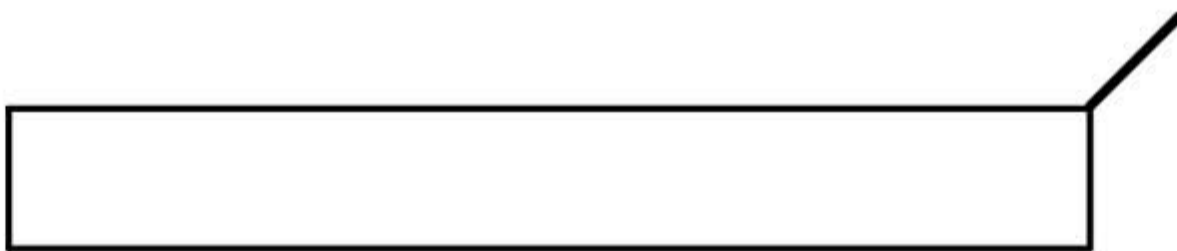
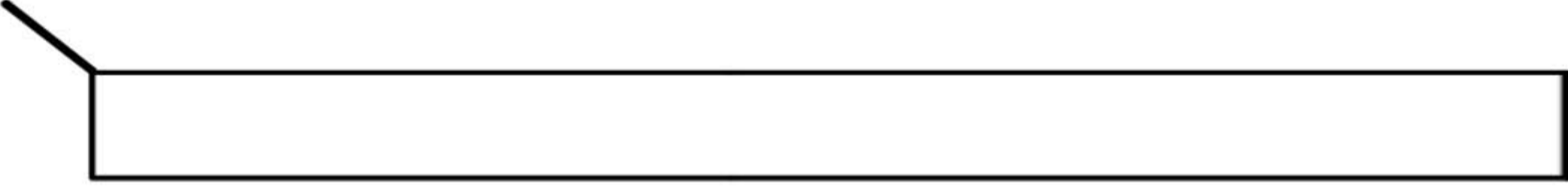
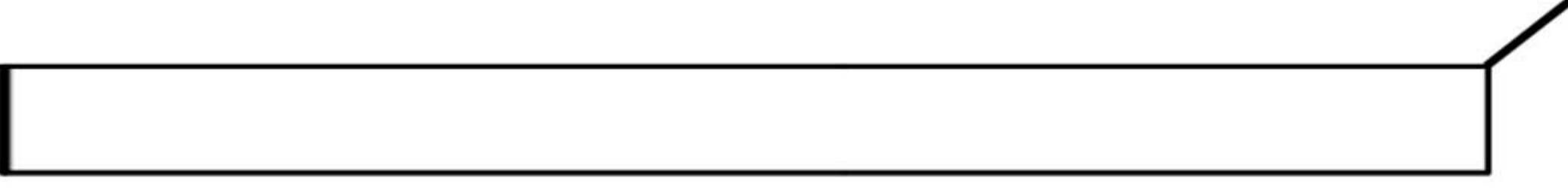
# ACCESSORY CATALOGUE

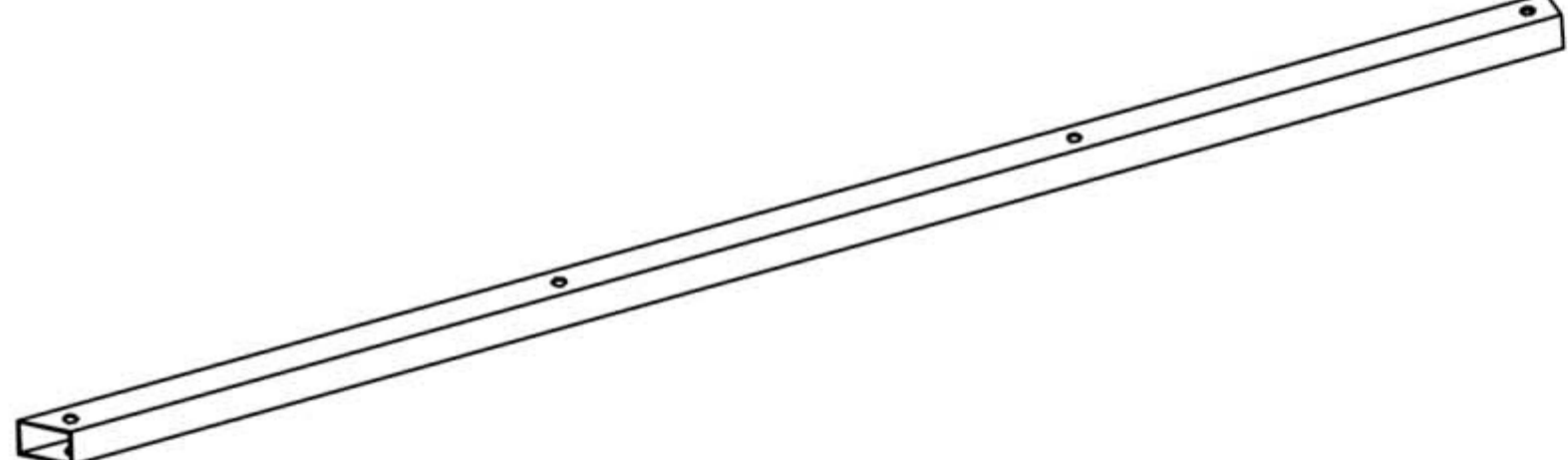
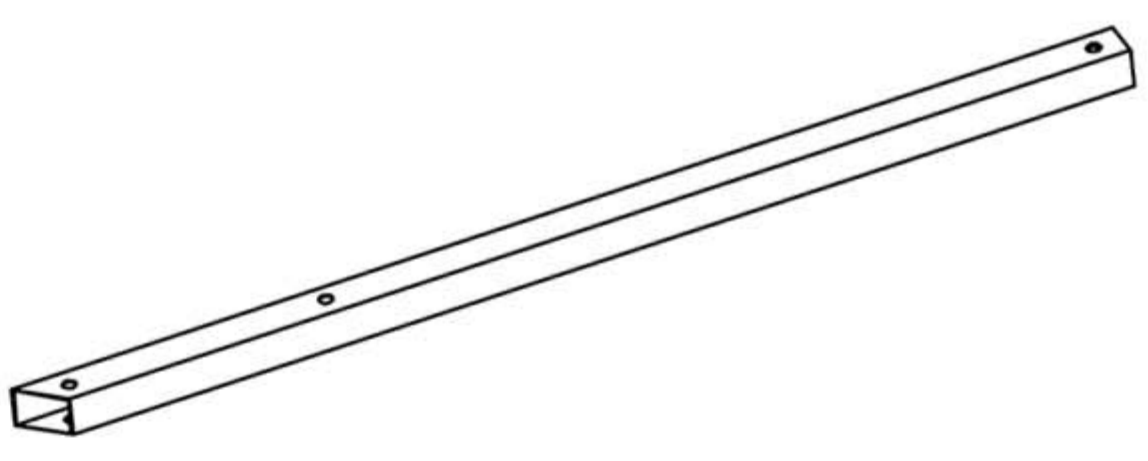
Item no.	Reference Image	Qty.
C		2
C1		2
D	 <p>M1 X4</p>	4
E	 <p>M2 X4    X2 X4 M6X15mm</p>	4
E1	 <p>M2 X4    X2 X4 M6X15mm</p>	4
G1		2
G2		2

Please take care of the screws and contact the after-sales service if there is any problem with the installation or parts.

➔ ✉ E-mail: [cs.helper01@gmail.com](mailto:cs.helper01@gmail.com)

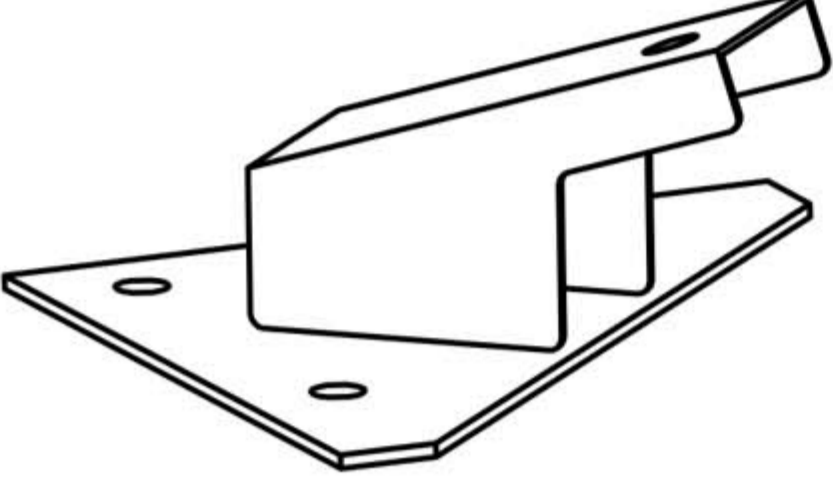
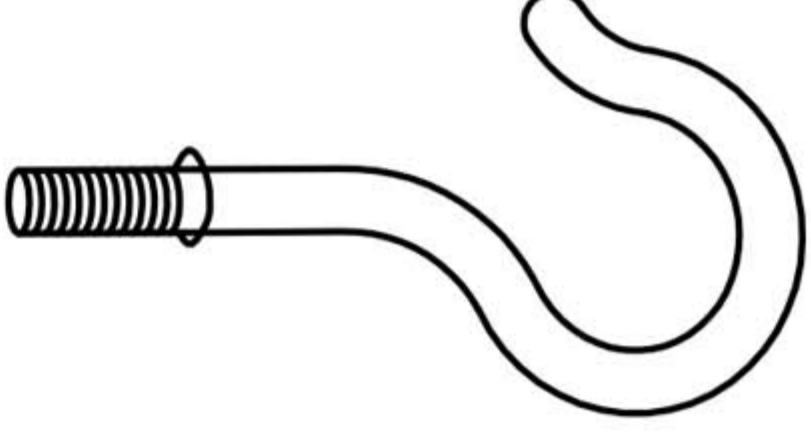
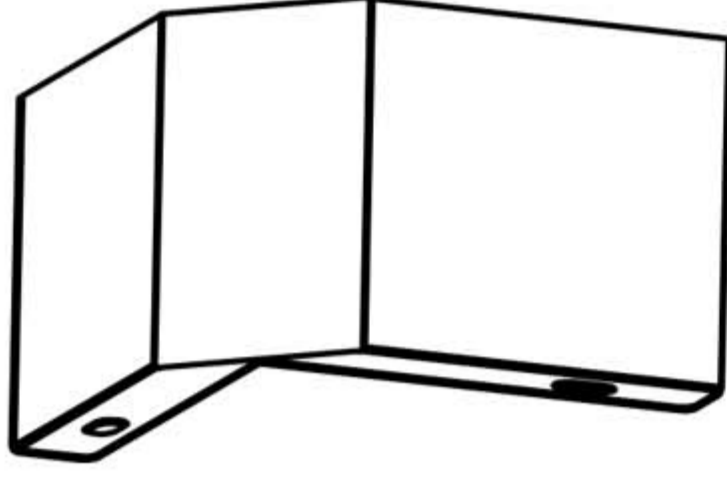
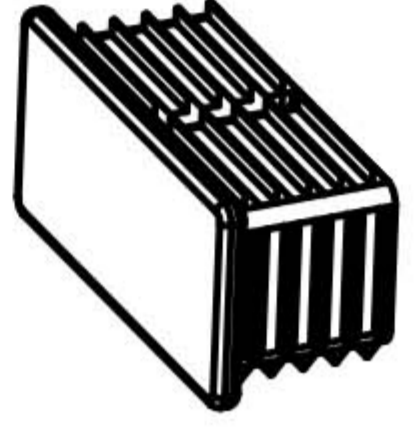
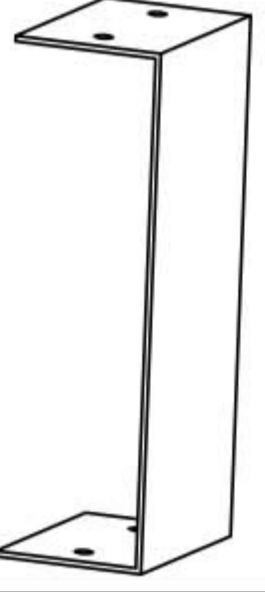
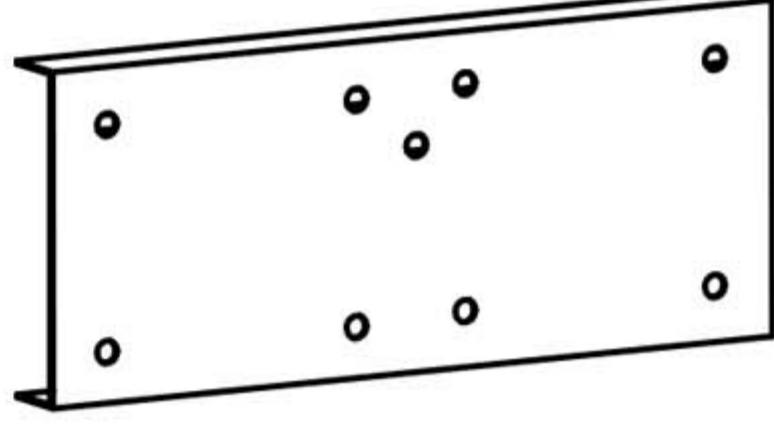
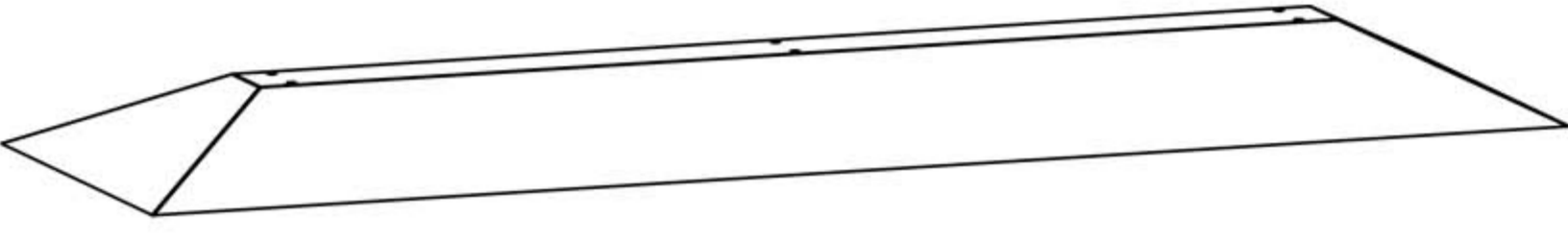
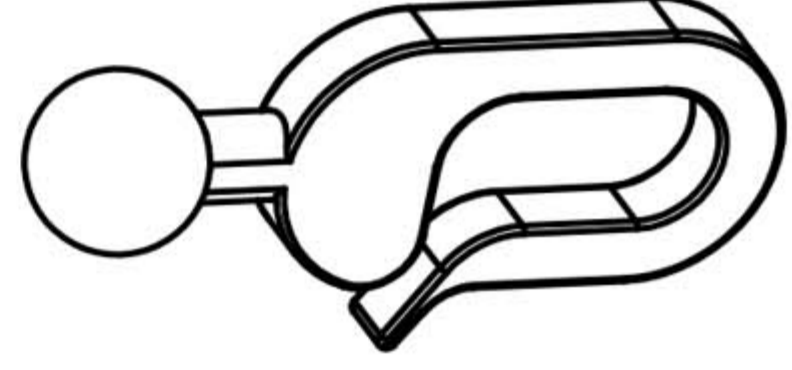
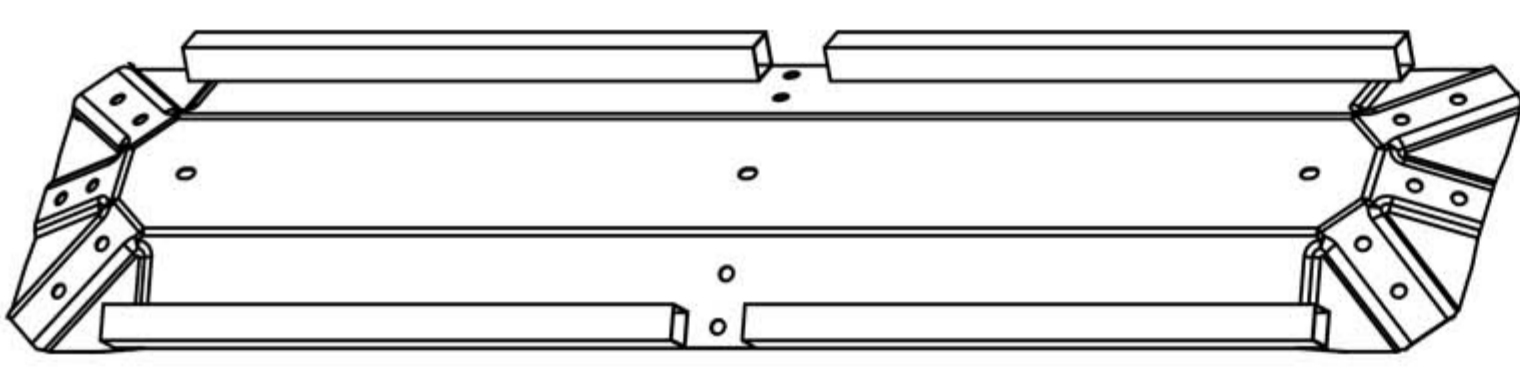

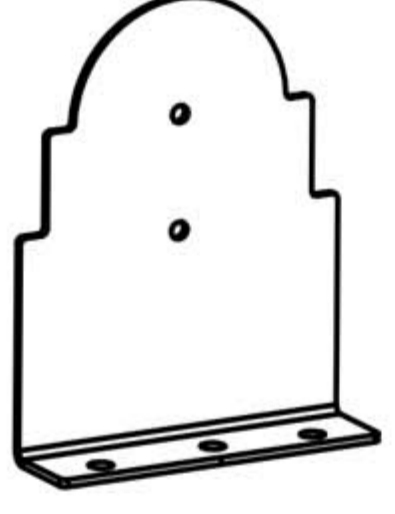

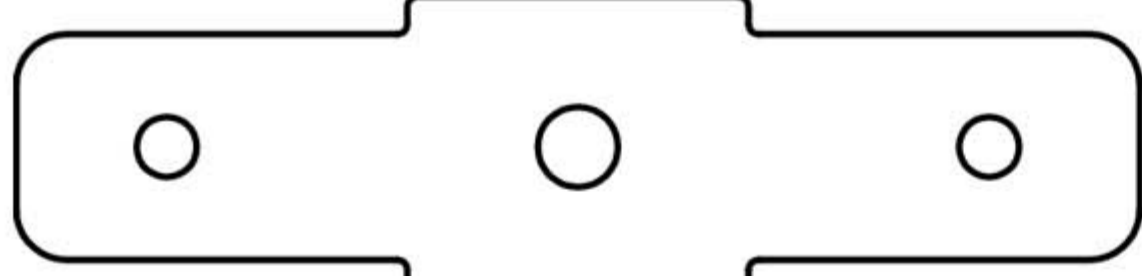
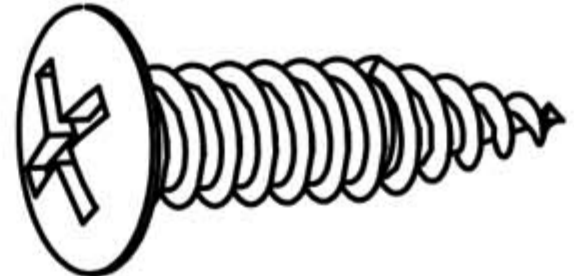
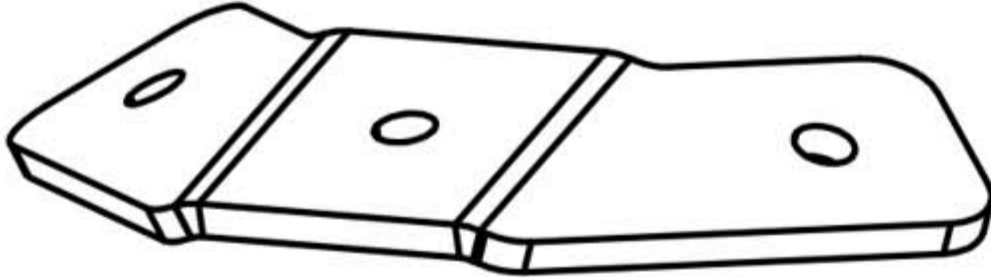
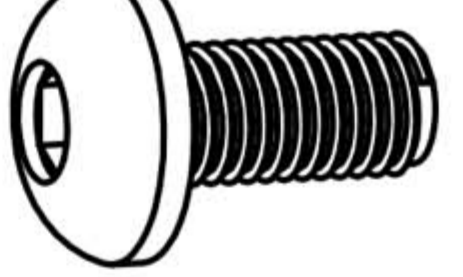
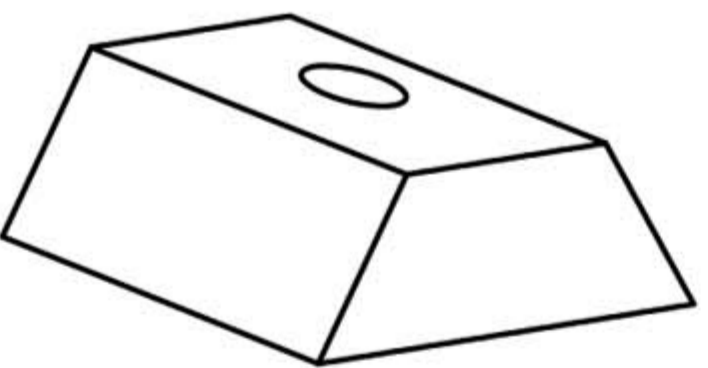
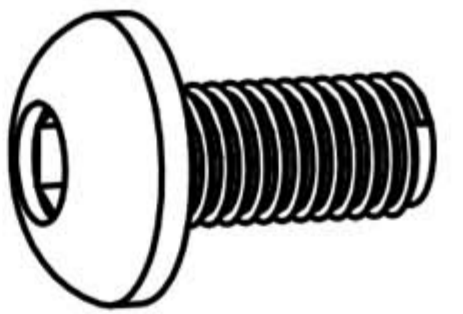
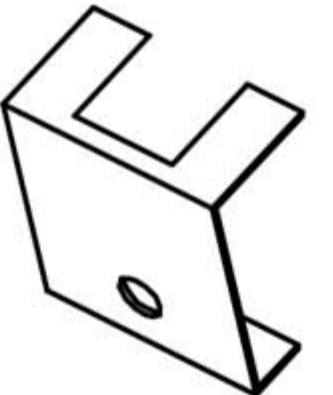
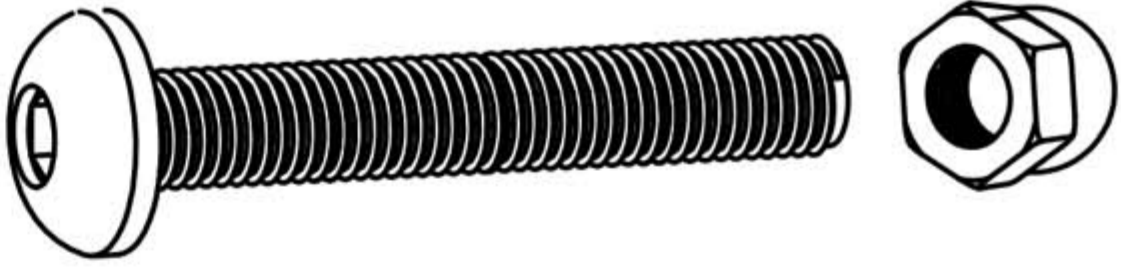
# ACCESSORY CATALOGUE

Item no.	Reference Image	Qty.
<b>G3</b>		2
<b>G4</b>		2
<b>G5</b>		2
<b>G6</b>		2
<b>G7</b>		2
<b>G8</b>		2
<b>G9</b>		2
<b>G10</b>		2

Item no.	Reference Image	Qty.	Item no.	Reference Image	Qty.
<b>H</b>		4	<b>H1</b>		4

Please take care of the screws and contact the after-sales service if there is any problem with the installation or parts.

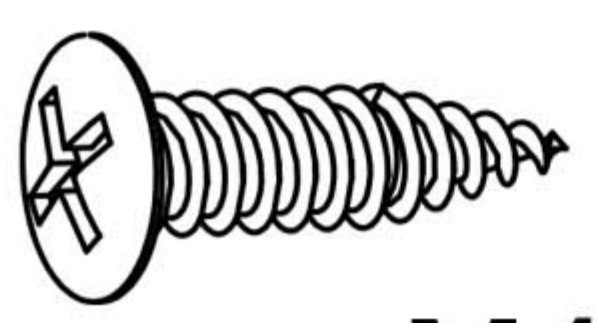
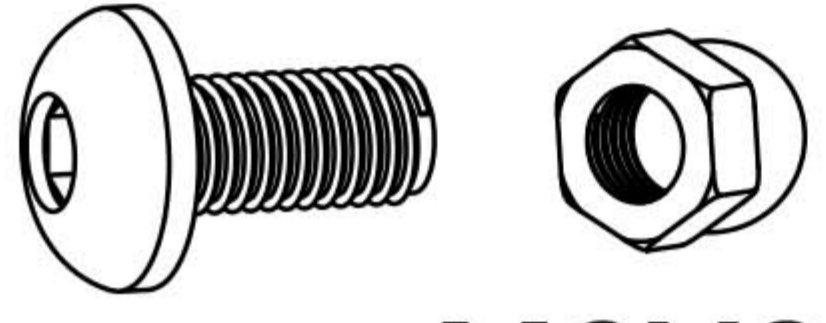
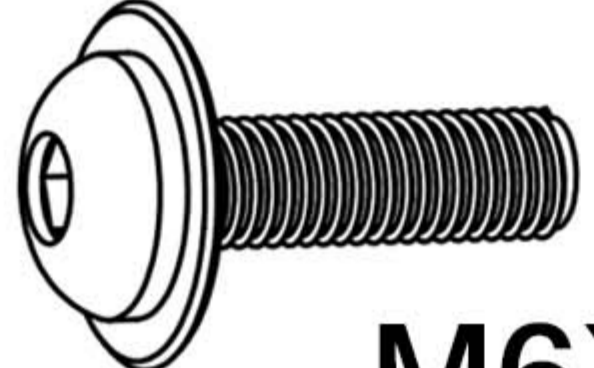
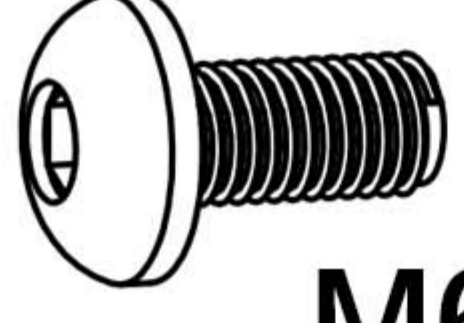
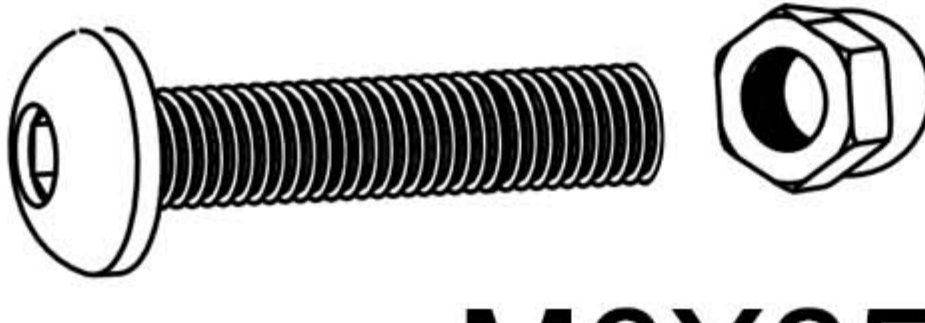
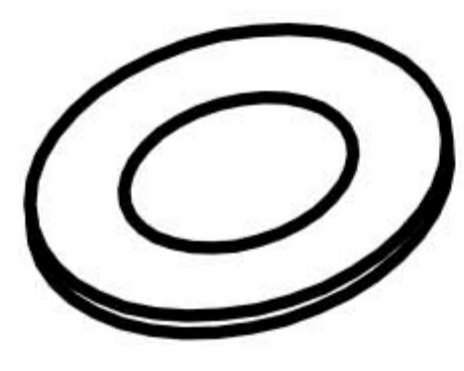
# ACCESSORY CATALOGUE

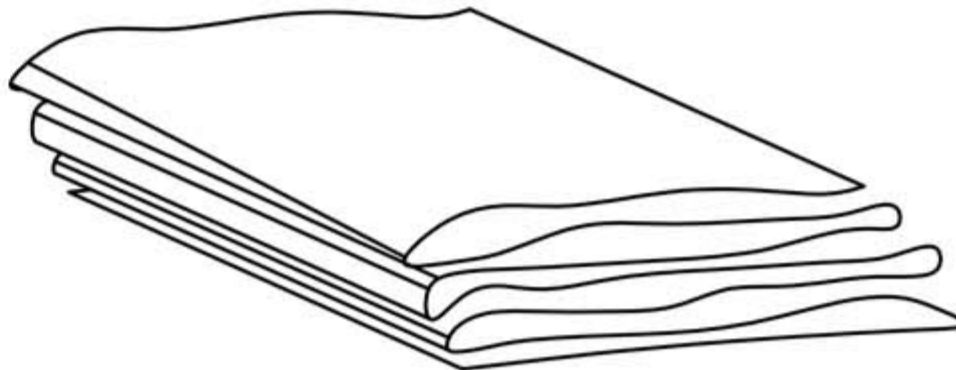
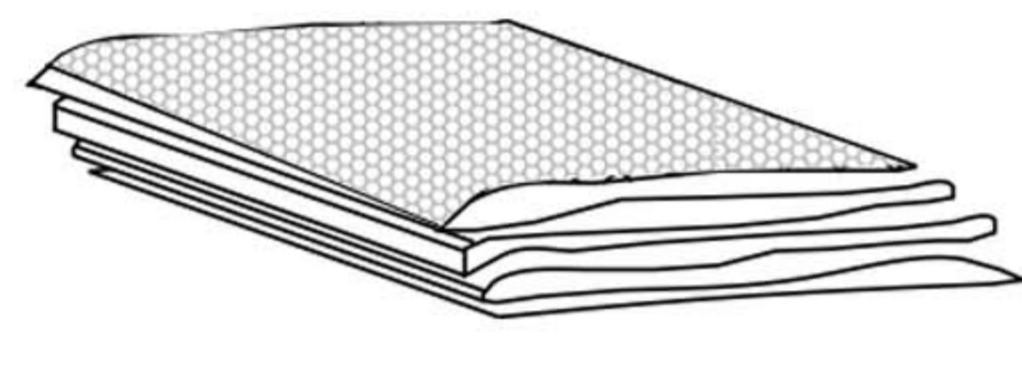
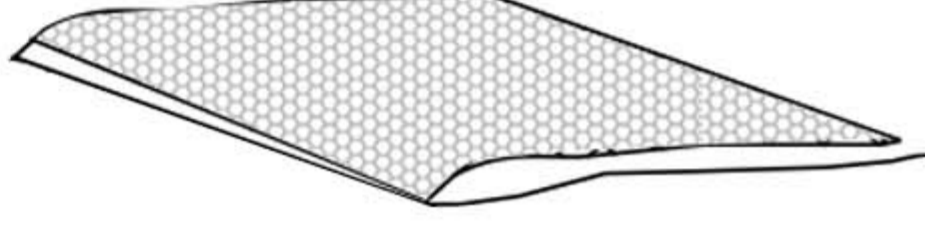

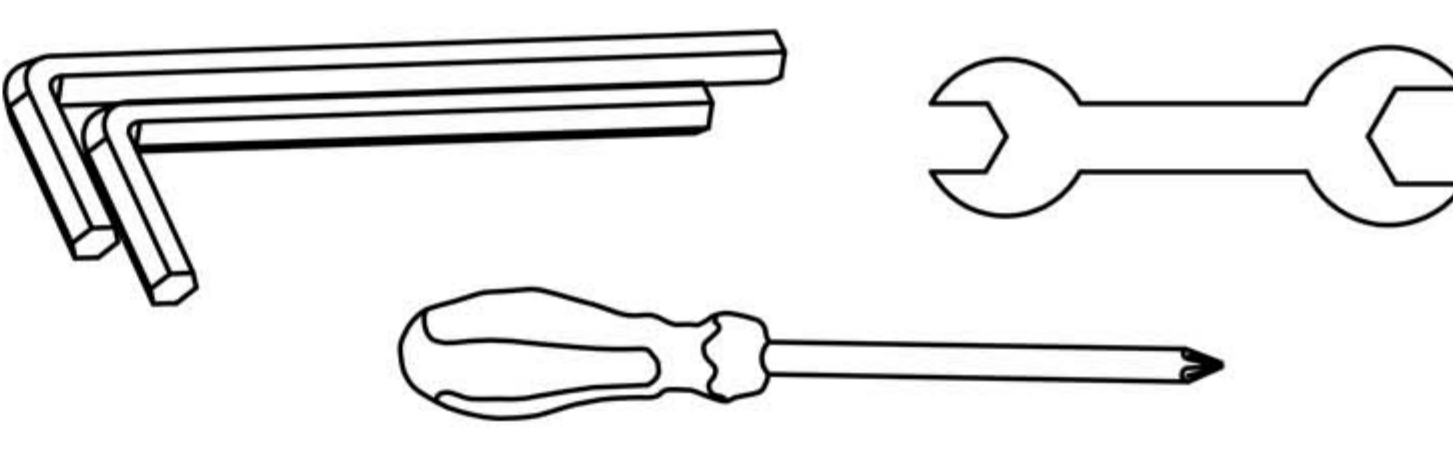
Item no.	Reference Image	Qty.	Item no.	Reference Image	Qty.
I		4	M7		2
J1		4	M8		16
J2		4	P		4
K		1	Q		72
K1		1	S		4
L		12	W		4
M3		4	X1	 M5X15mm	16
M4		4	X2	 M6X15mm	123
M5		38	X3	 M6X20mm	18
M6		4	X4	 M6X42mm	4

Please take care of the screws and contact the after-sales service if there is any problem with the installation or parts.

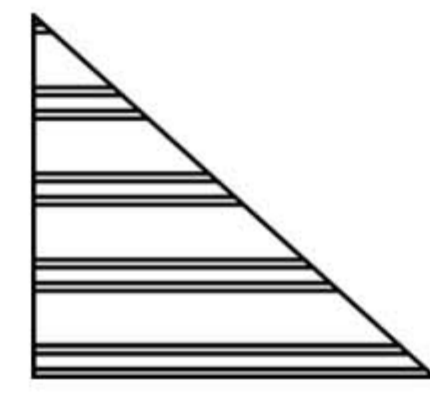
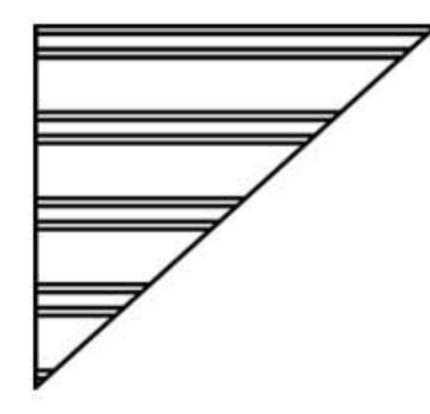
➔ ✉ E-mail: [cs.helper01@gmail.com](mailto:cs.helper01@gmail.com)

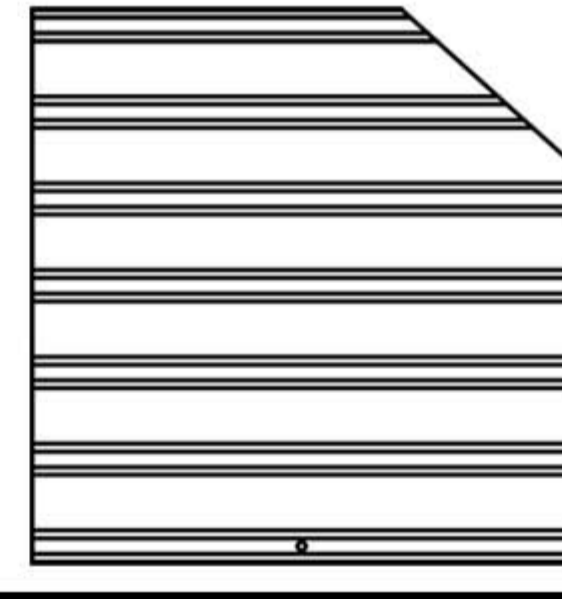
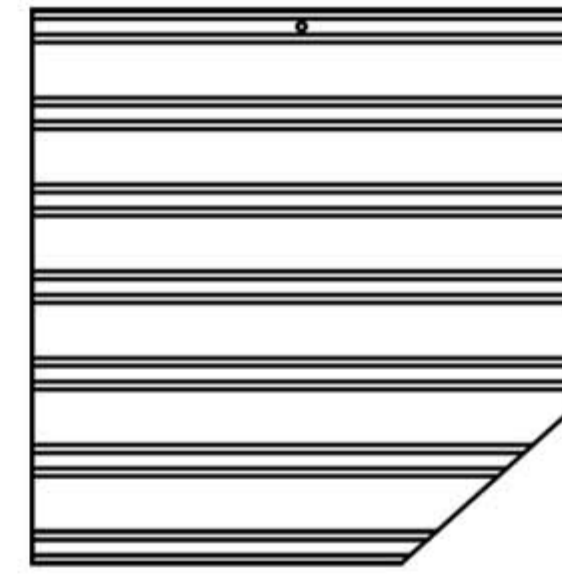
# ACCESSORY CATALOGUE

Item no.	Reference Image	Qty.
<b>X5</b>	 M4X25mm	<b>24</b>
<b>X6</b>	 M6X20mm	<b>20</b>
<b>X7</b>	 M6X30mm	<b>4</b>
<b>X8</b>	 M6X10mm	<b>32</b>
<b>X9</b>	 M6X35mm	<b>14</b>
<b>X10</b>		<b>16</b>

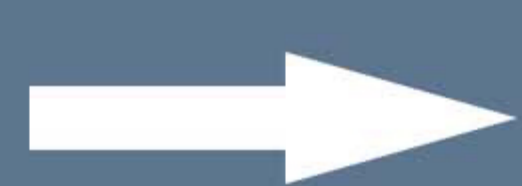
Item no.	Reference Image	Qty.
<b>Z</b>		<b>1</b>
<b>Z1</b>		<b>1</b>
<b>Z2</b>		<b>1</b>
<b>2</b>		<b>8</b>
<b>3</b>		<b>1</b>

**BOX 3** SKU: A001G053-3

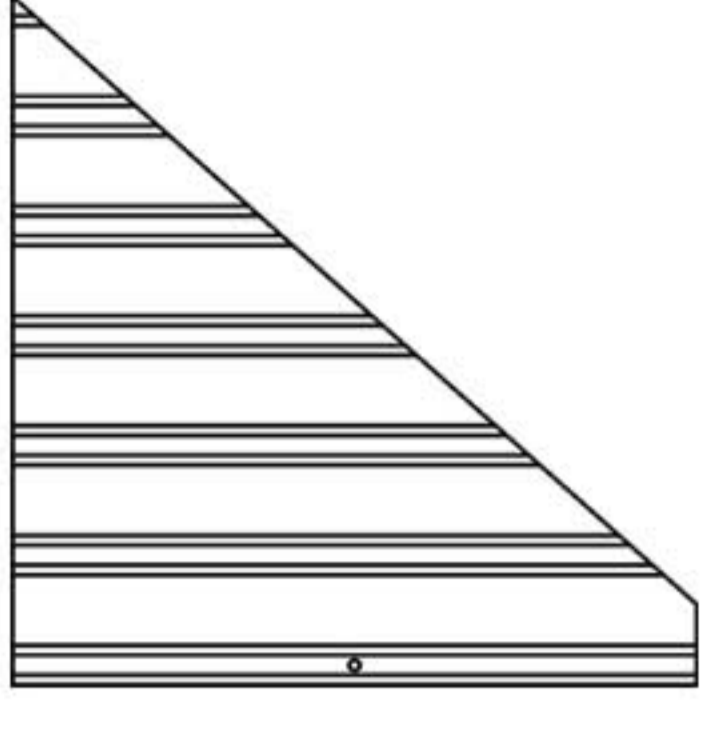
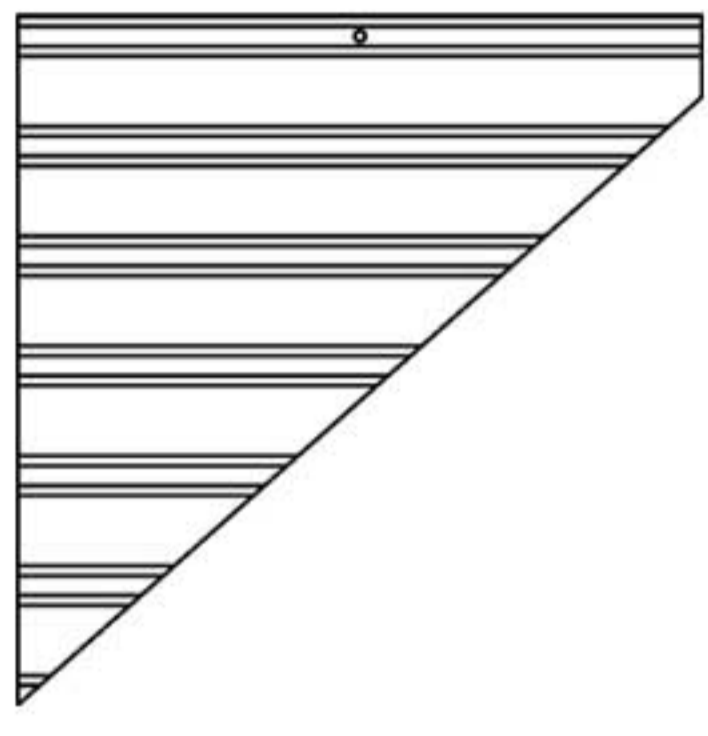
Item no.	Reference Image	Qty.
<b>N4</b>		<b>2</b>
<b>Y4</b>		<b>2</b>

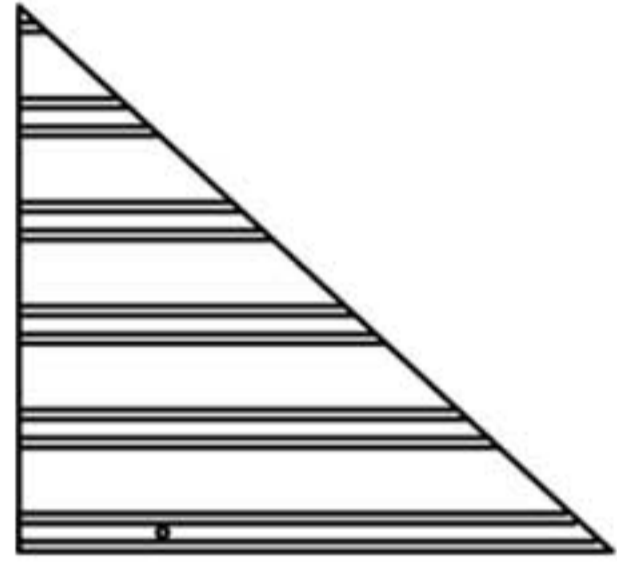
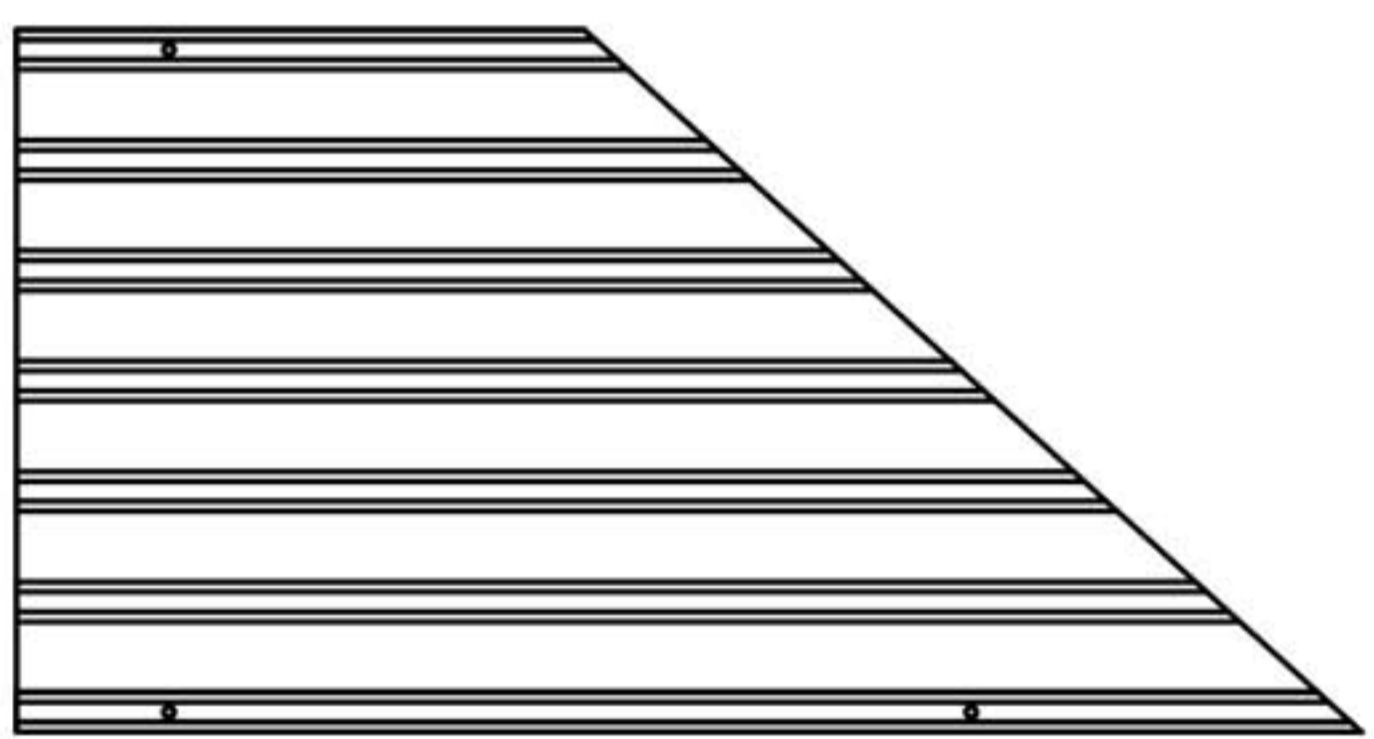
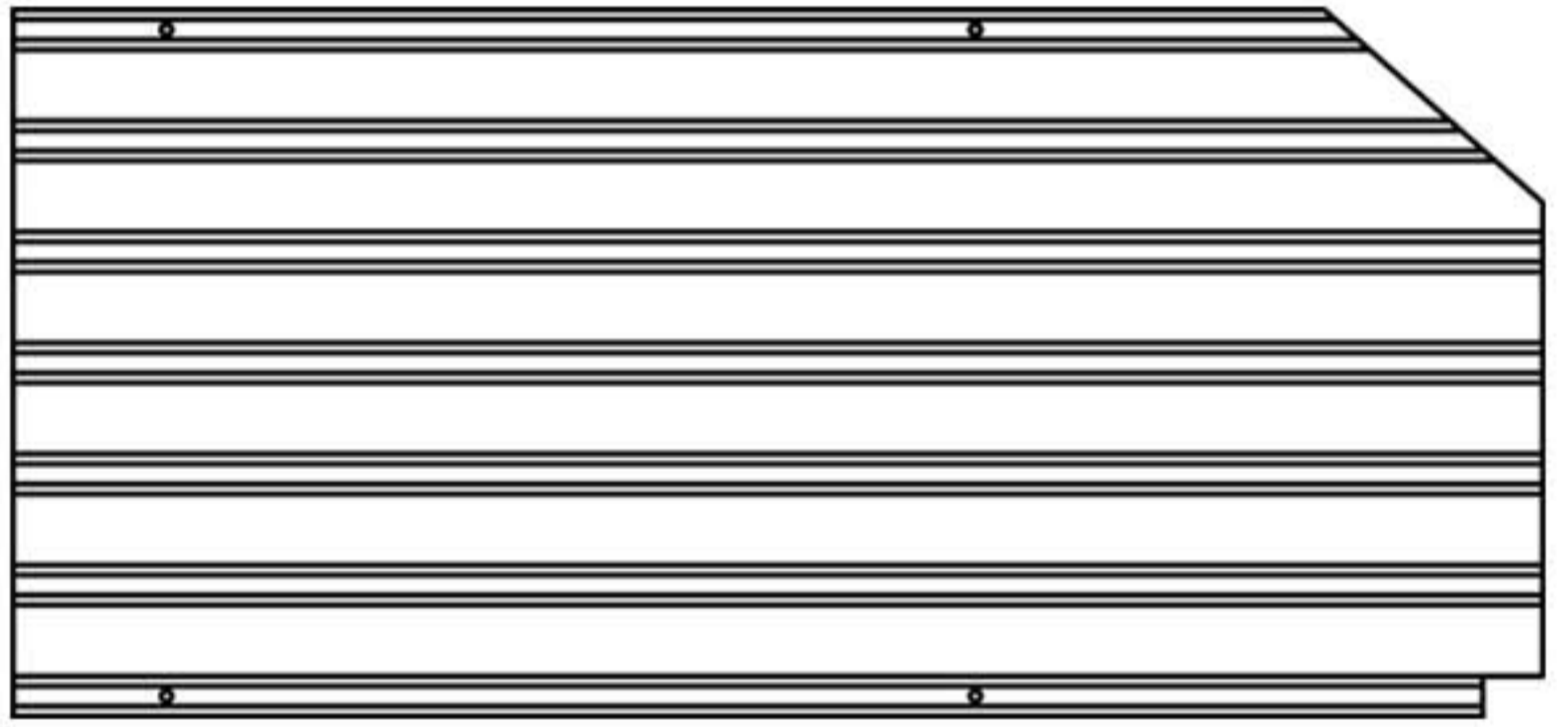
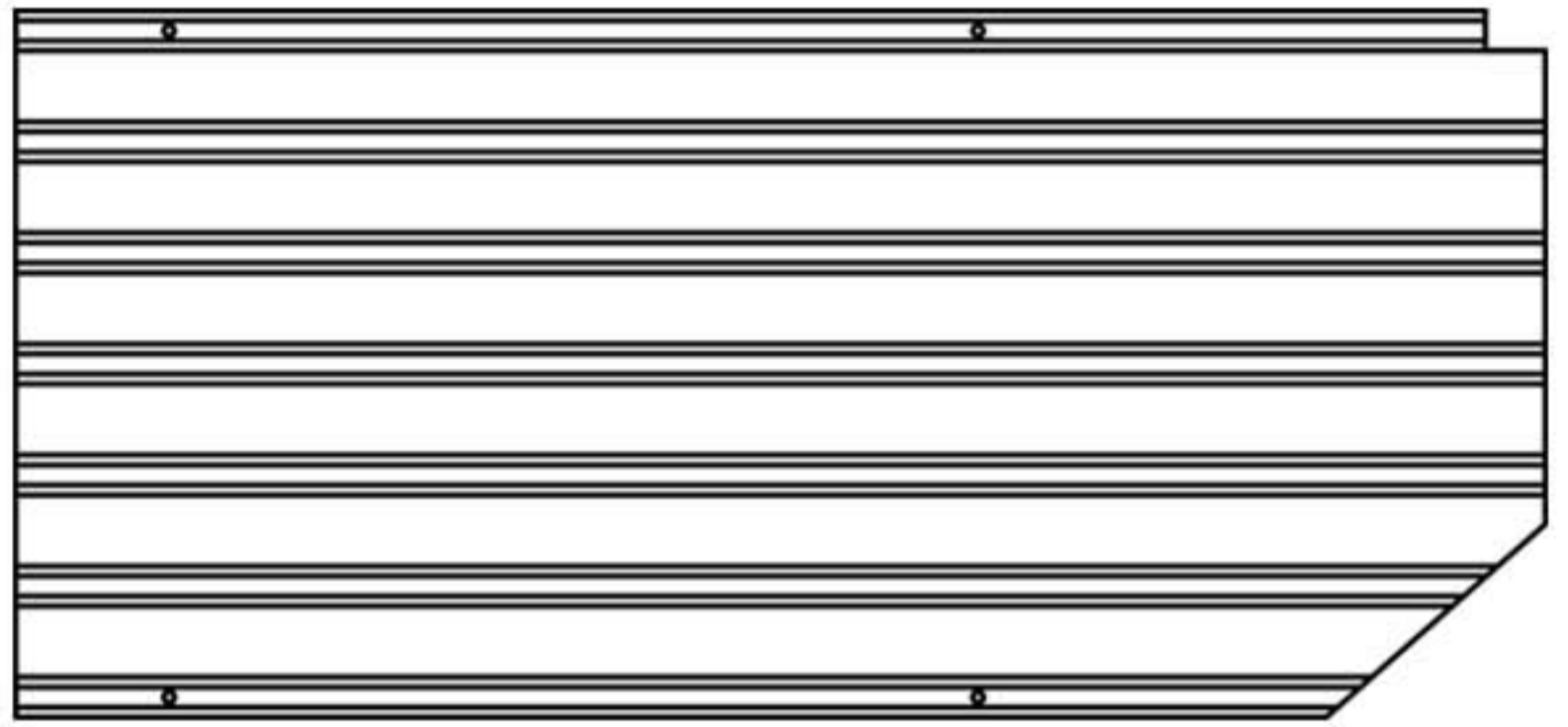
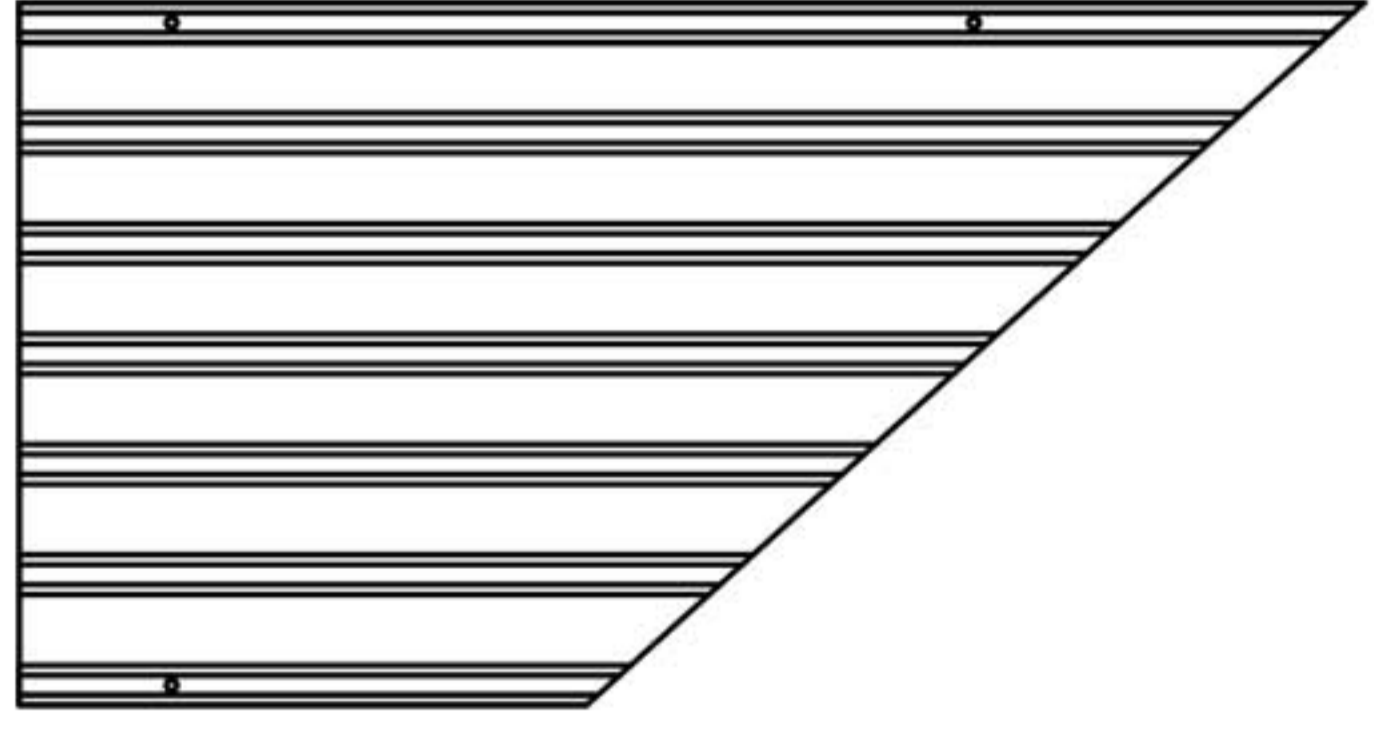
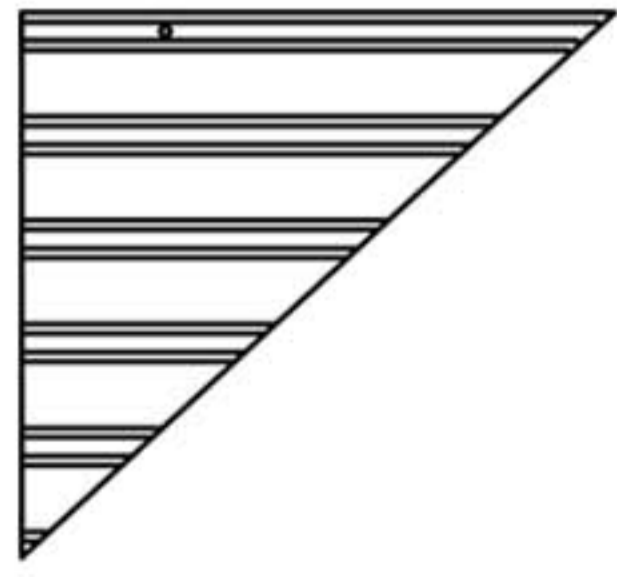
Item no.	Reference Image	Qty.
<b>N5</b>		<b>2</b>
<b>Y5</b>		<b>2</b>

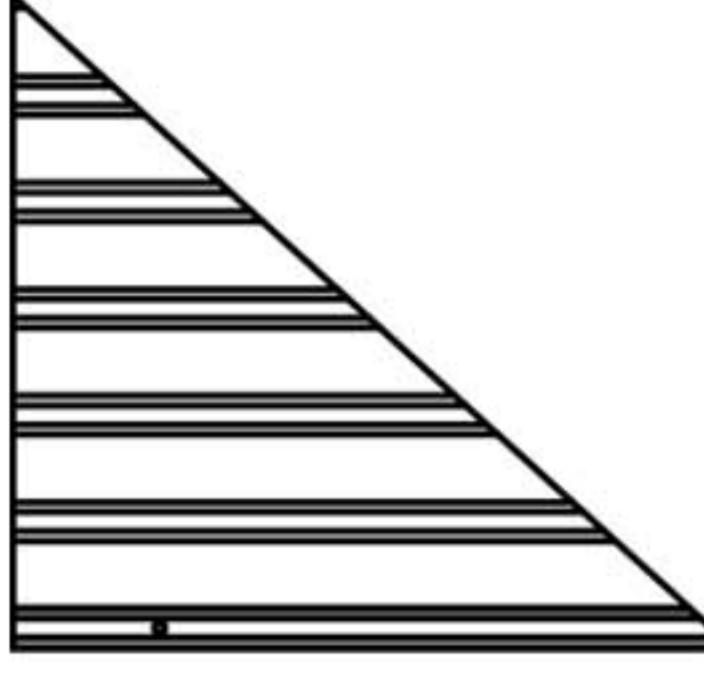
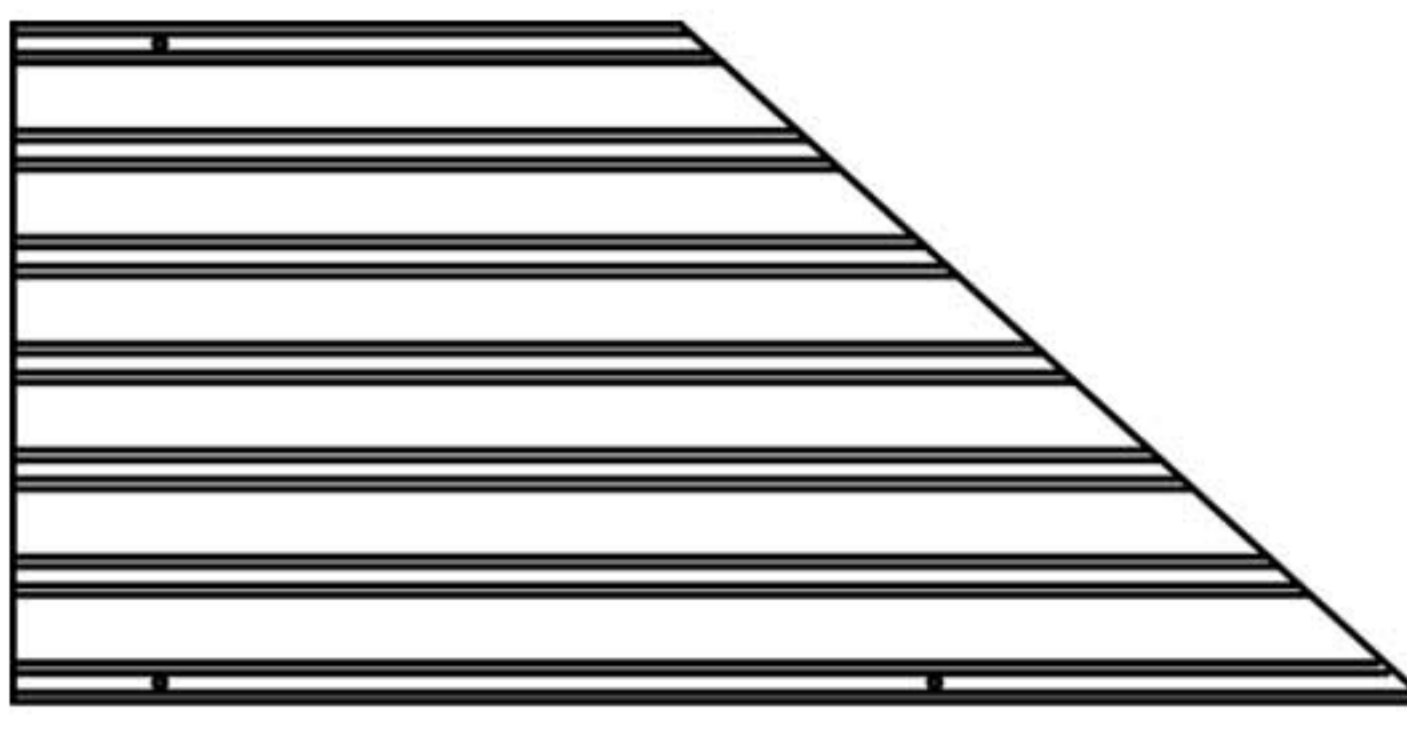


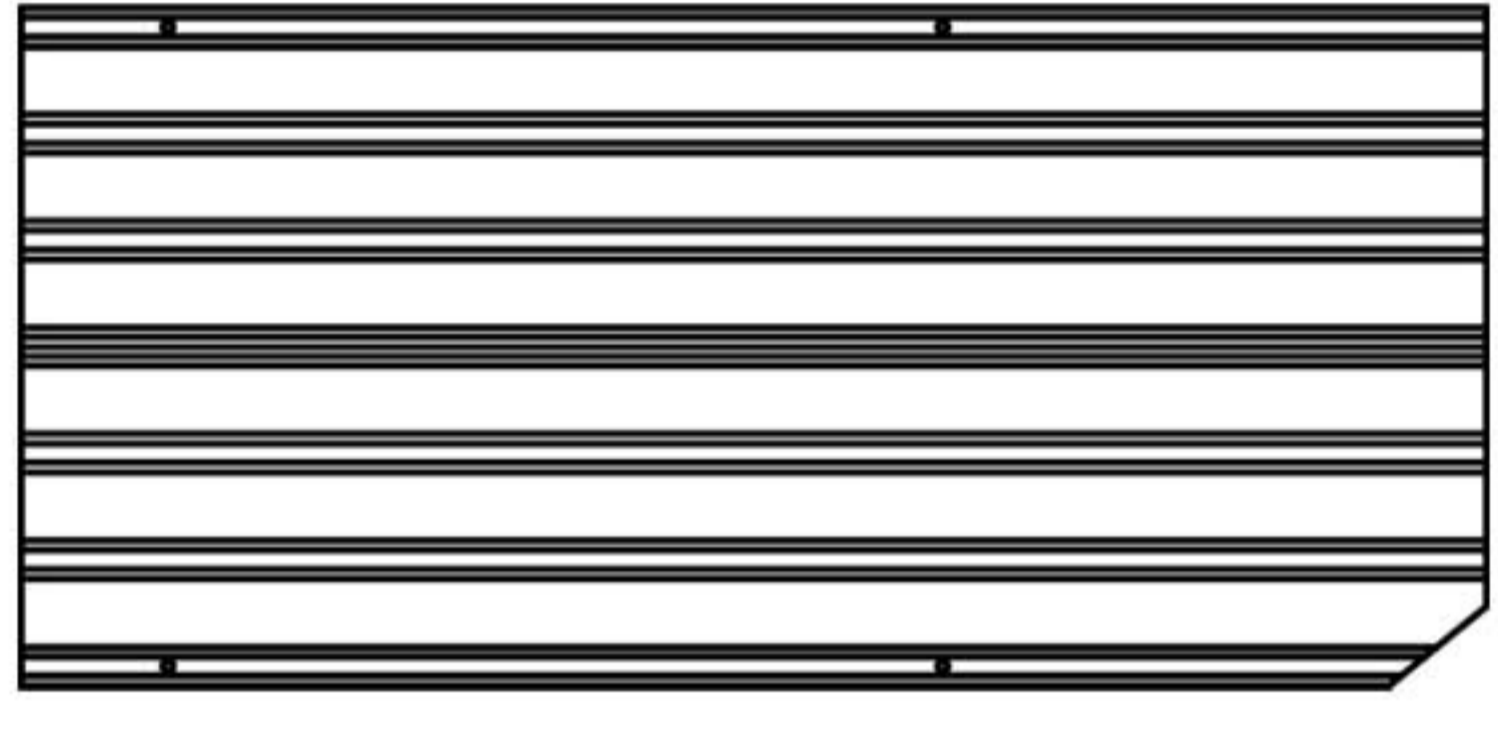
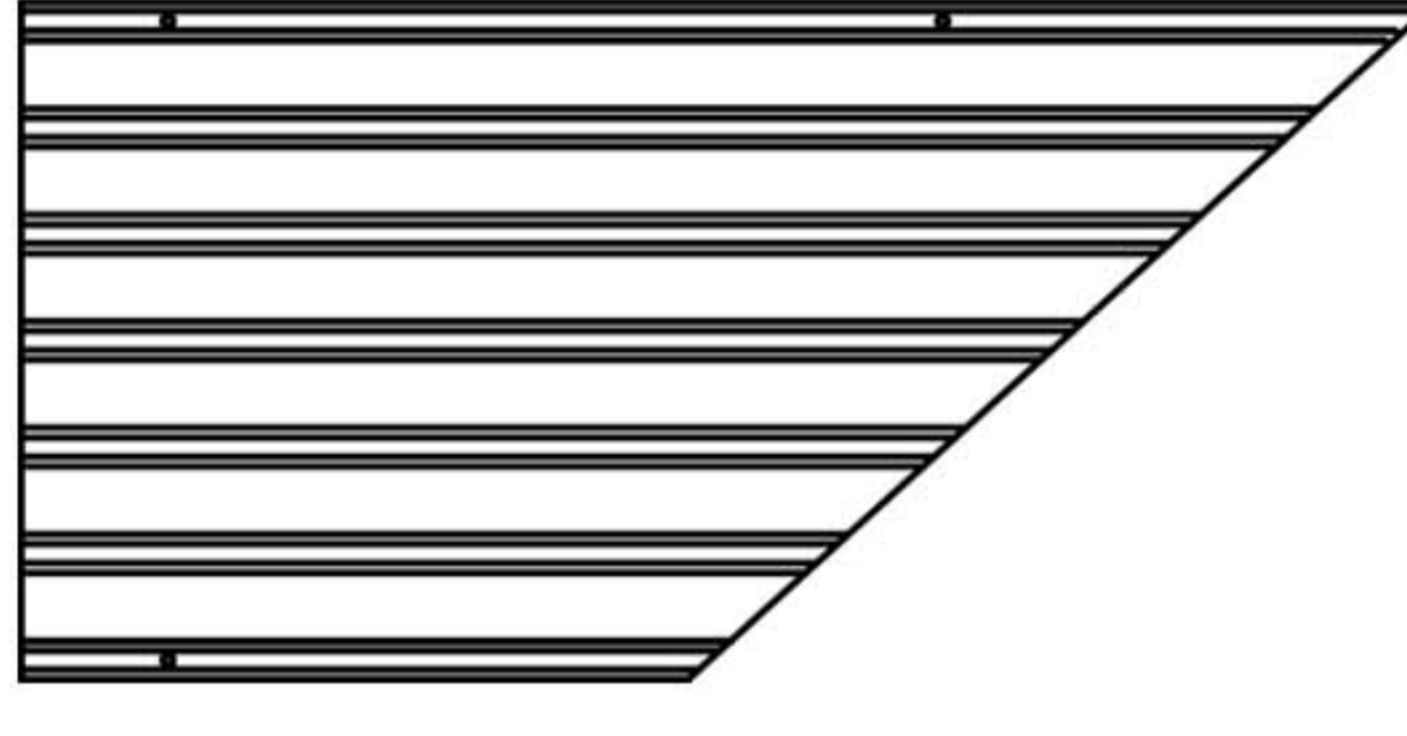
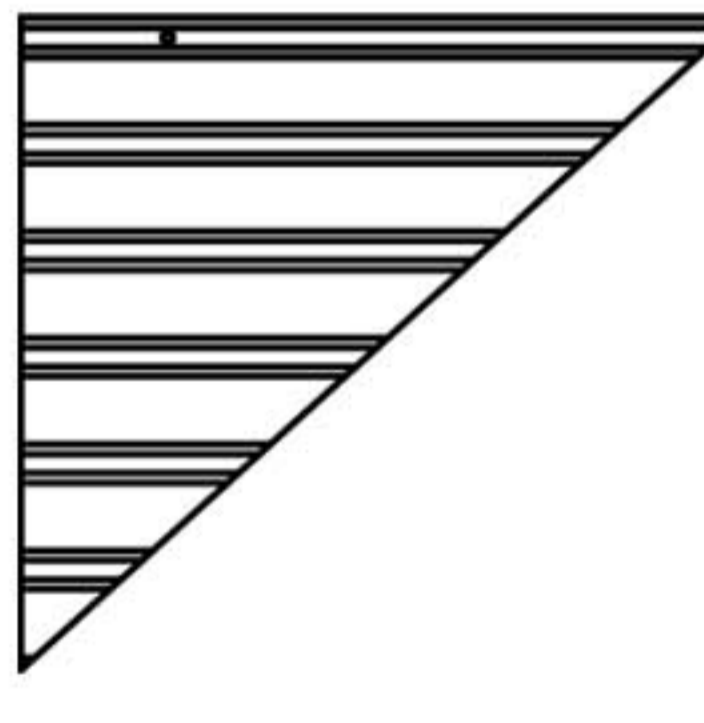
Please take care of the screws and contact the after-sales service if there is any problem with the installation or parts.



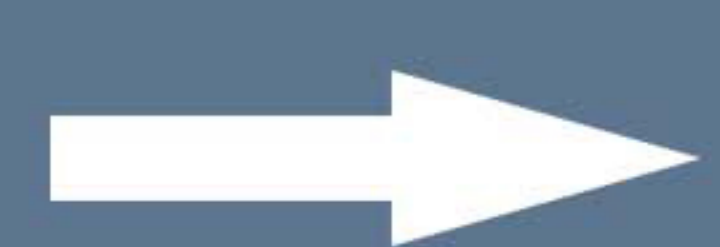
# ACCESSORY CATALOGUE

Item no.	Reference Image	Qty.
<b>O4</b>		<b>2</b>
<b>V4</b>		<b>2</b>

Item no.	Reference Image	Qty.
<b>O1</b>		<b>2</b>
<b>O2</b>		<b>2</b>
<b>O3</b>		<b>2</b>
<b>V3</b>		<b>2</b>
<b>V2</b>		<b>2</b>
<b>V1</b>		<b>2</b>

Item no.	Reference Image	Qty.
<b>N1</b>		<b>2</b>
<b>N2</b>		<b>2</b>
<b>N3</b>		<b>2</b>
<b>N</b>		<b>2</b>
<b>Y3</b>		<b>2</b>
<b>Y2</b>		<b>2</b>
<b>Y1</b>		<b>2</b>

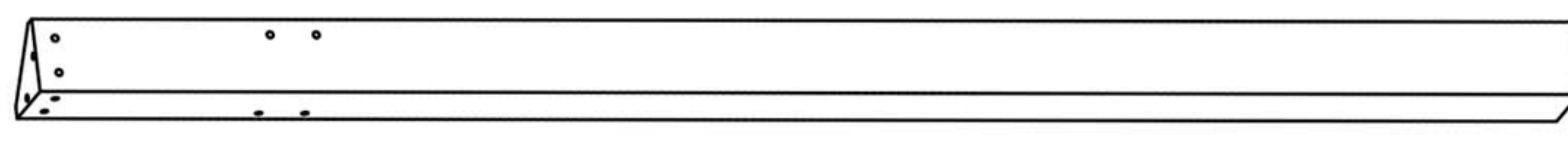
Please take care of the screws and contact the after-sales service if there is any problem with the installation or parts.



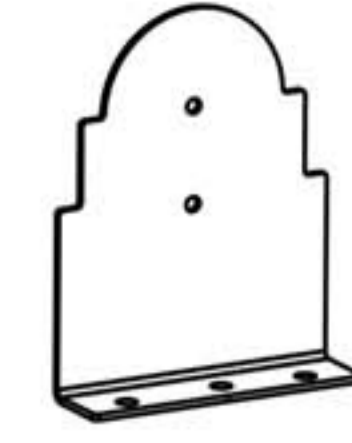
E-mail: [cs.helper01@gmail.com](mailto:cs.helper01@gmail.com)

# STEP 1

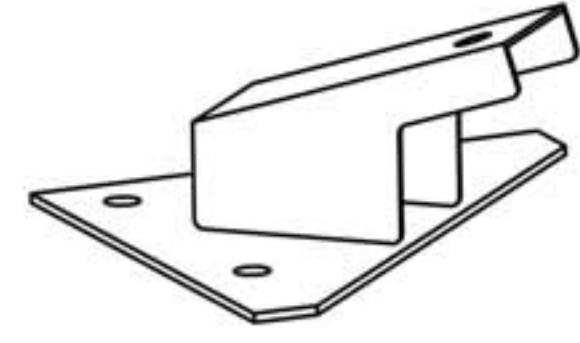
Parts required



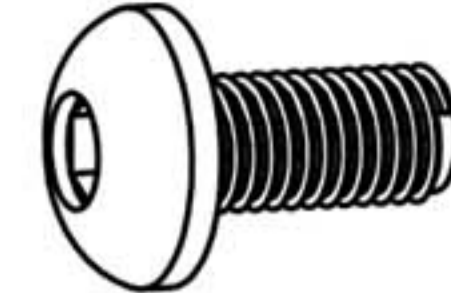
A 4pcs



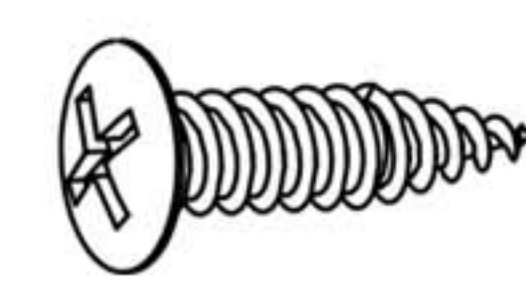
L 12pcs



I 4pcs



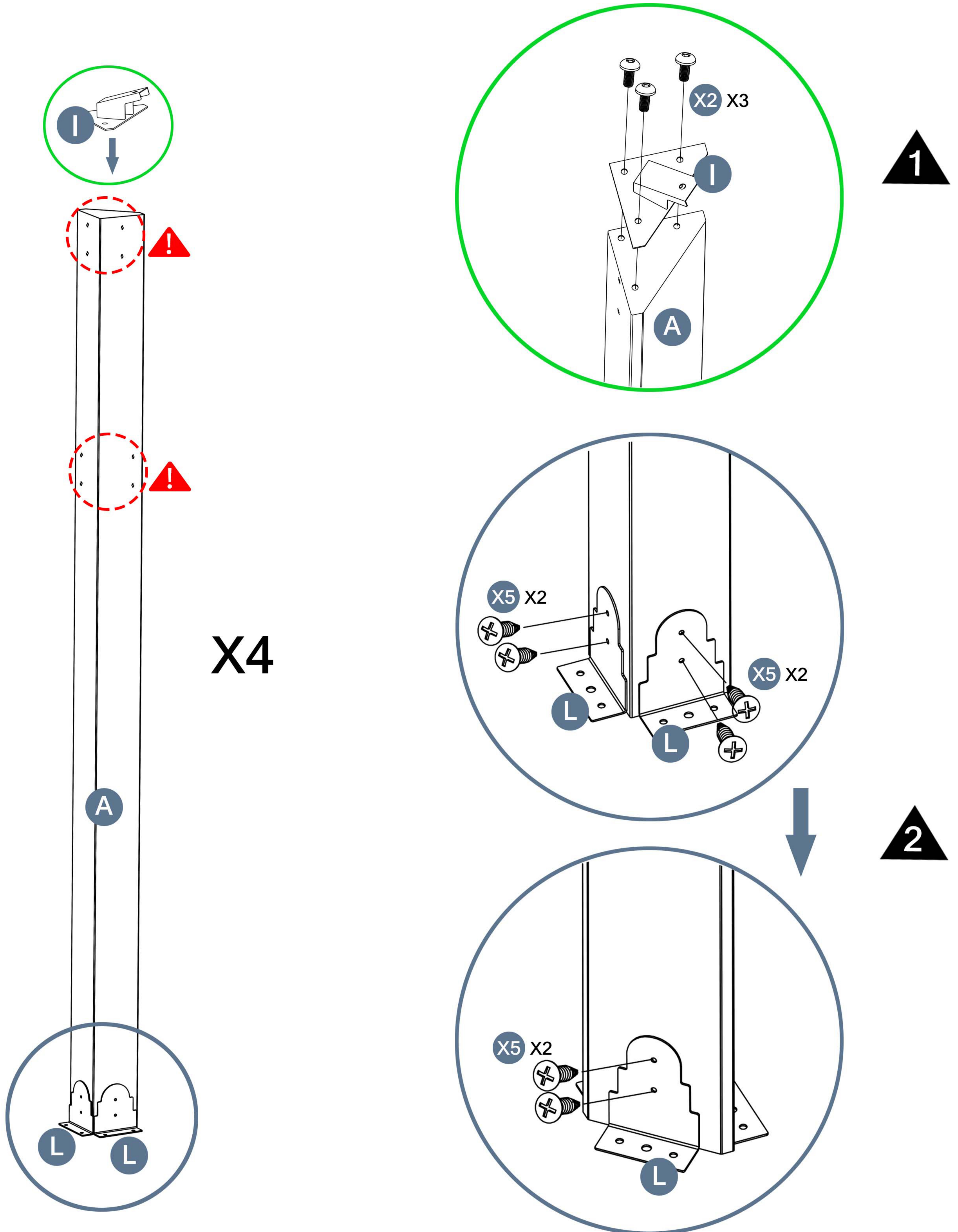
X2 12pcs



X5 24pcs

1 → 2

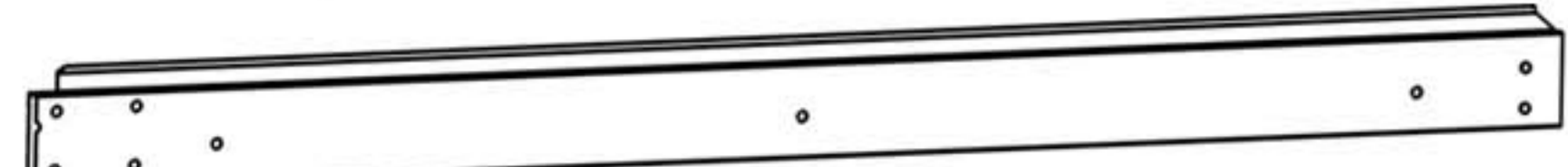
! Please note the orientation of the hole.



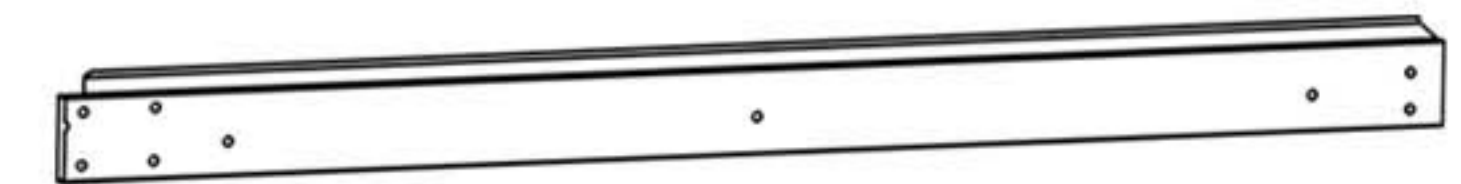
Please take care of the screws and contact the after-sales service if there is any problem with the installation or parts.

# STEP 2

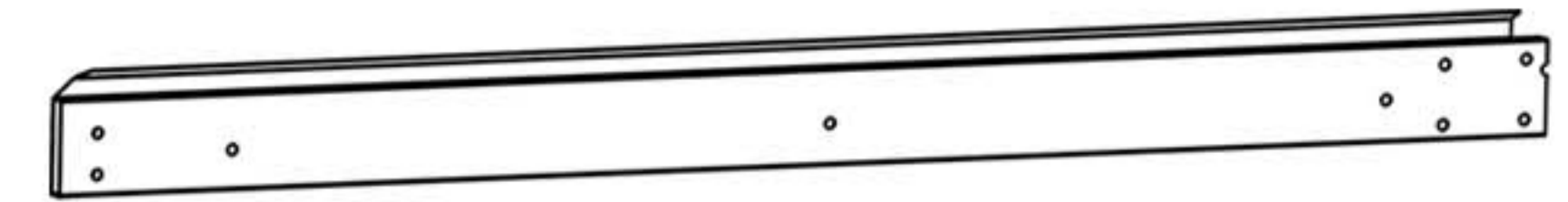
Parts required



**B** 2pcs



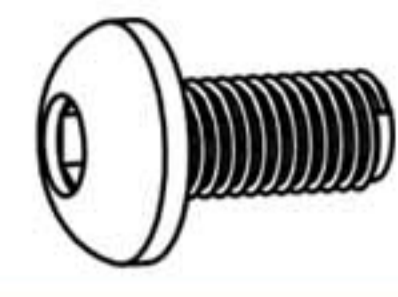
**C** 2pcs



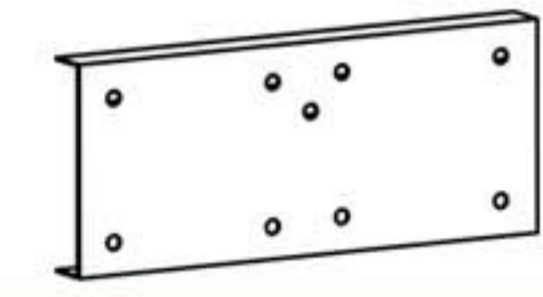
**B1** 2pcs



**C1** 2pcs



**X8** 32pcs

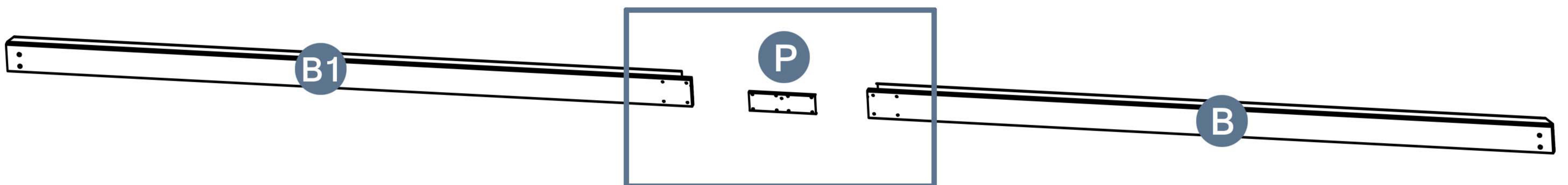


**P** 4pcs

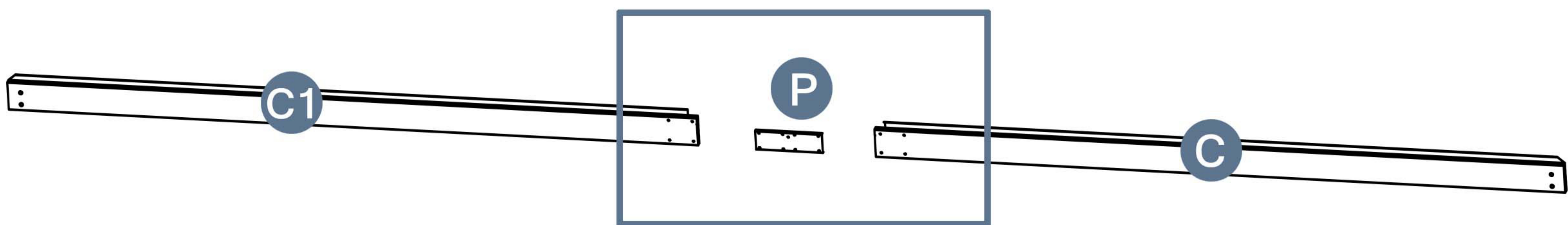
1 → 2



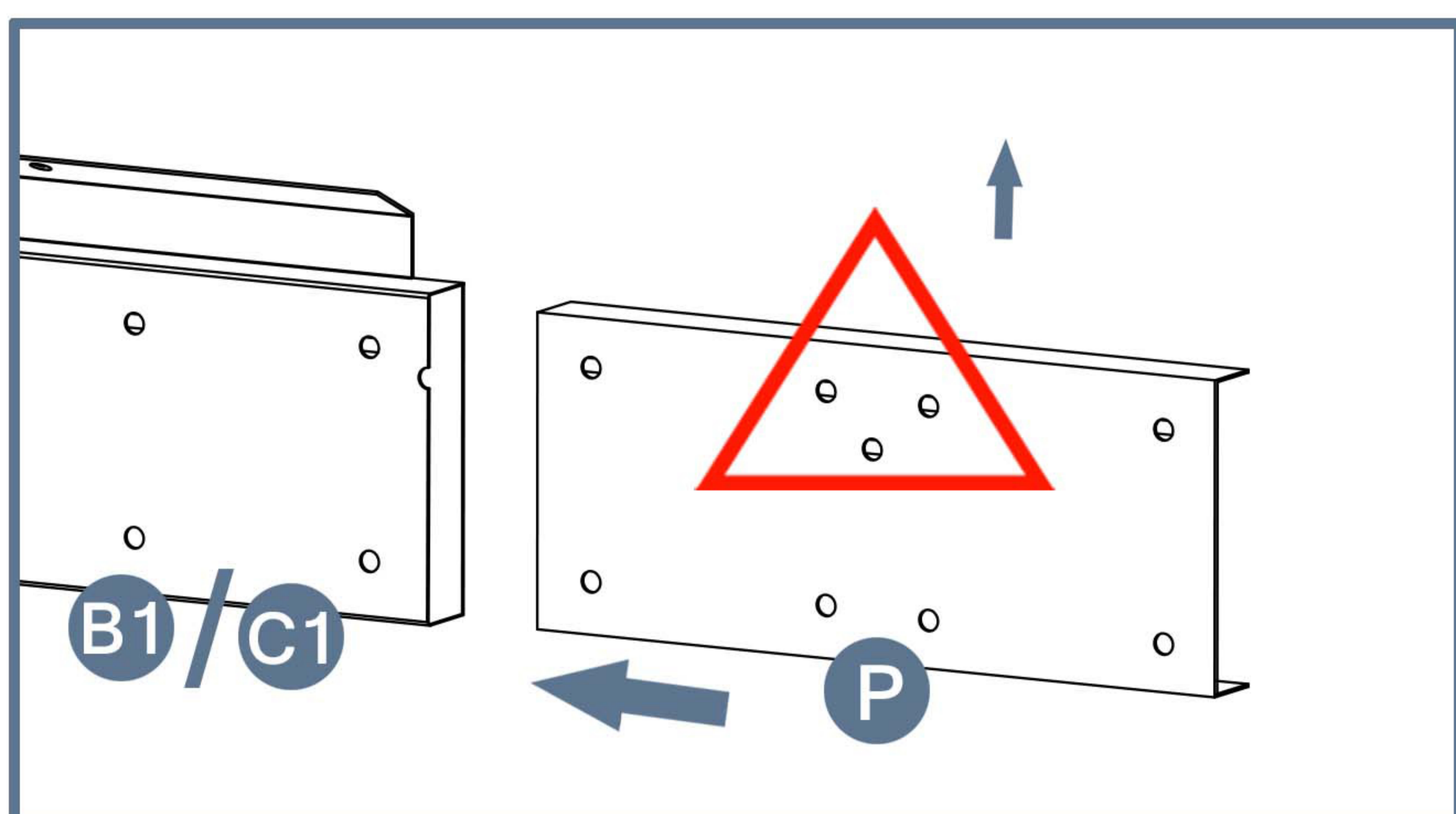
When connecting **C** and **C1** via **P**, and connecting **B** and **B1** via **P**, make sure that 3 holes on part **P** (as shown in the picture) should be facing upwards. Do not install it upside down.



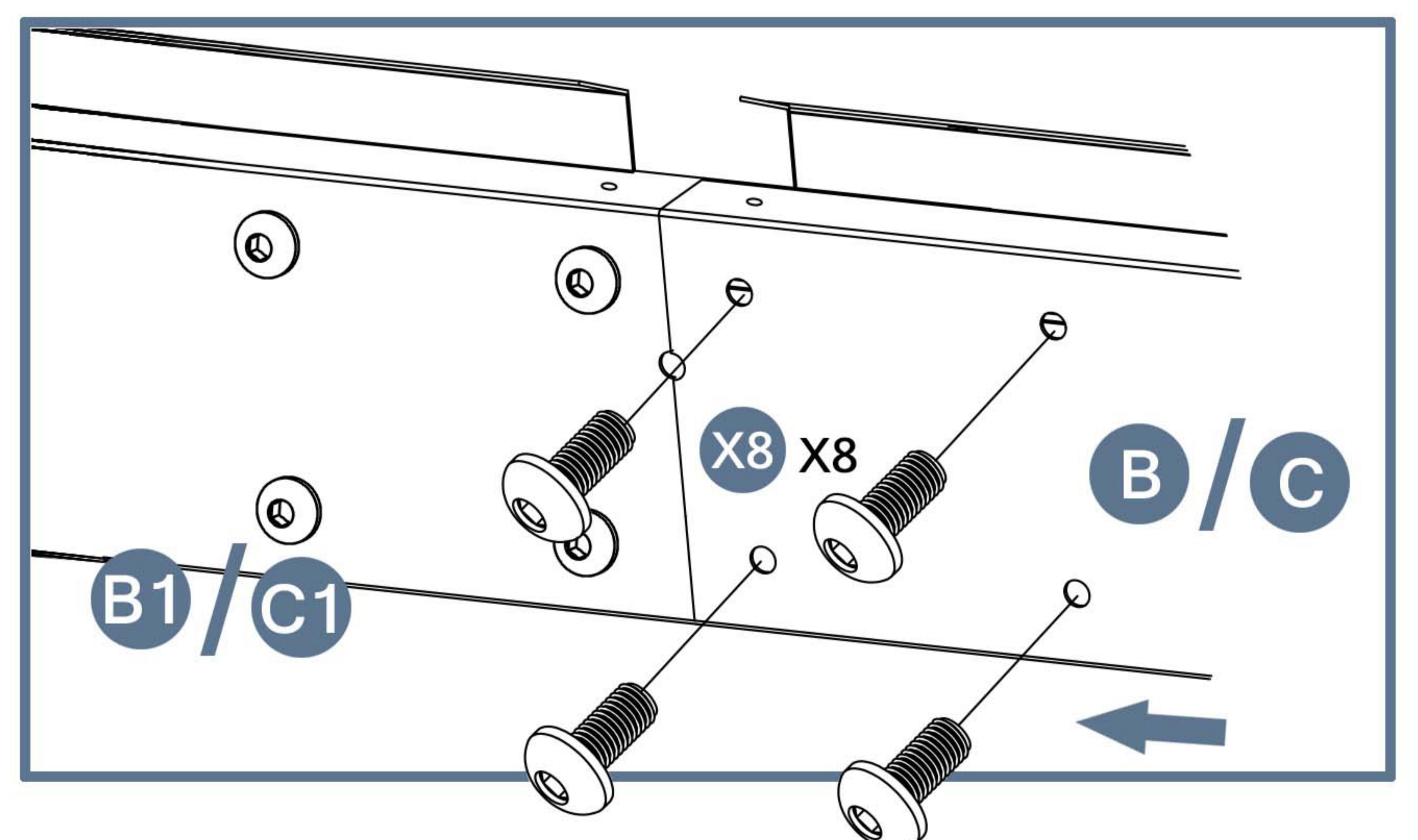
X2



X2

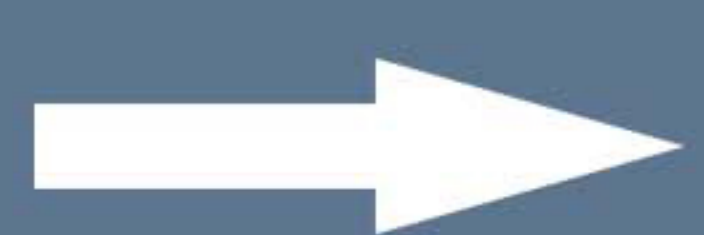


1



2

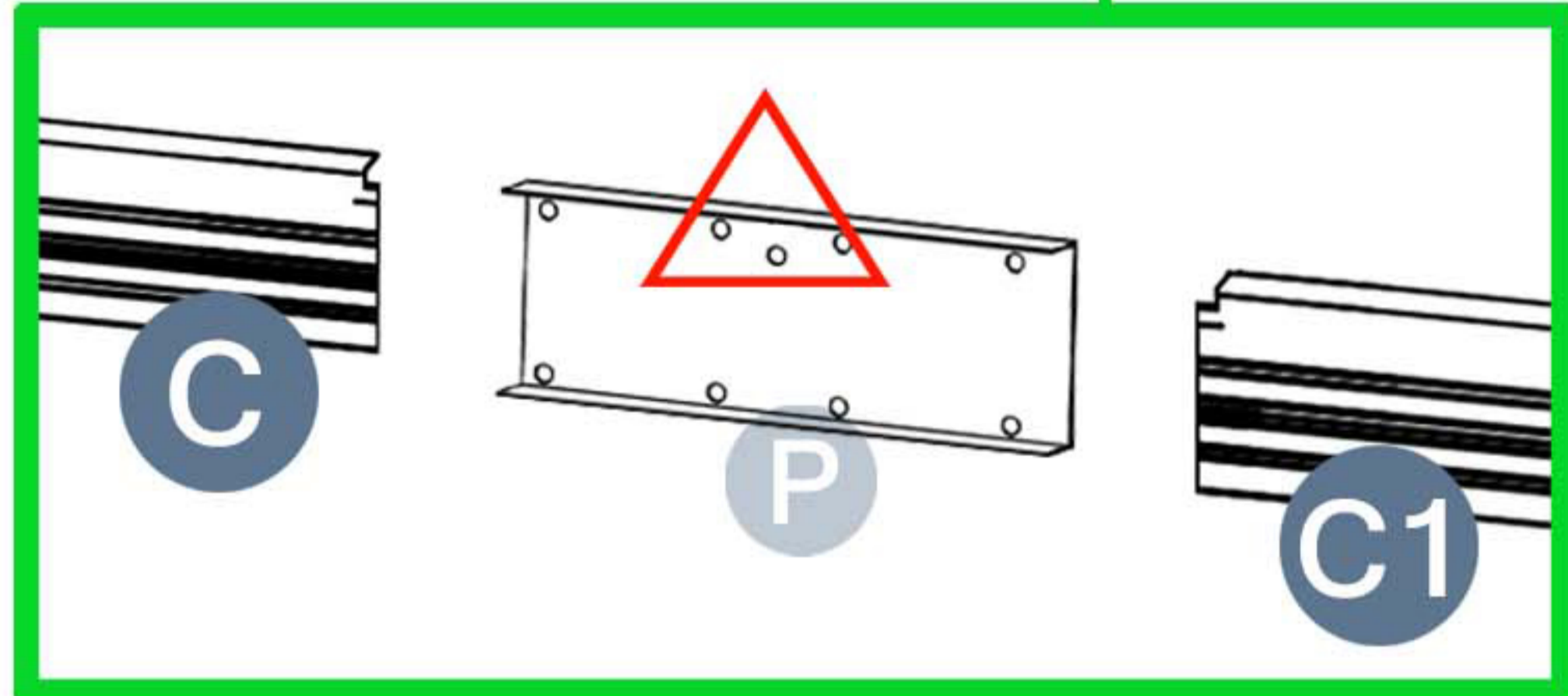
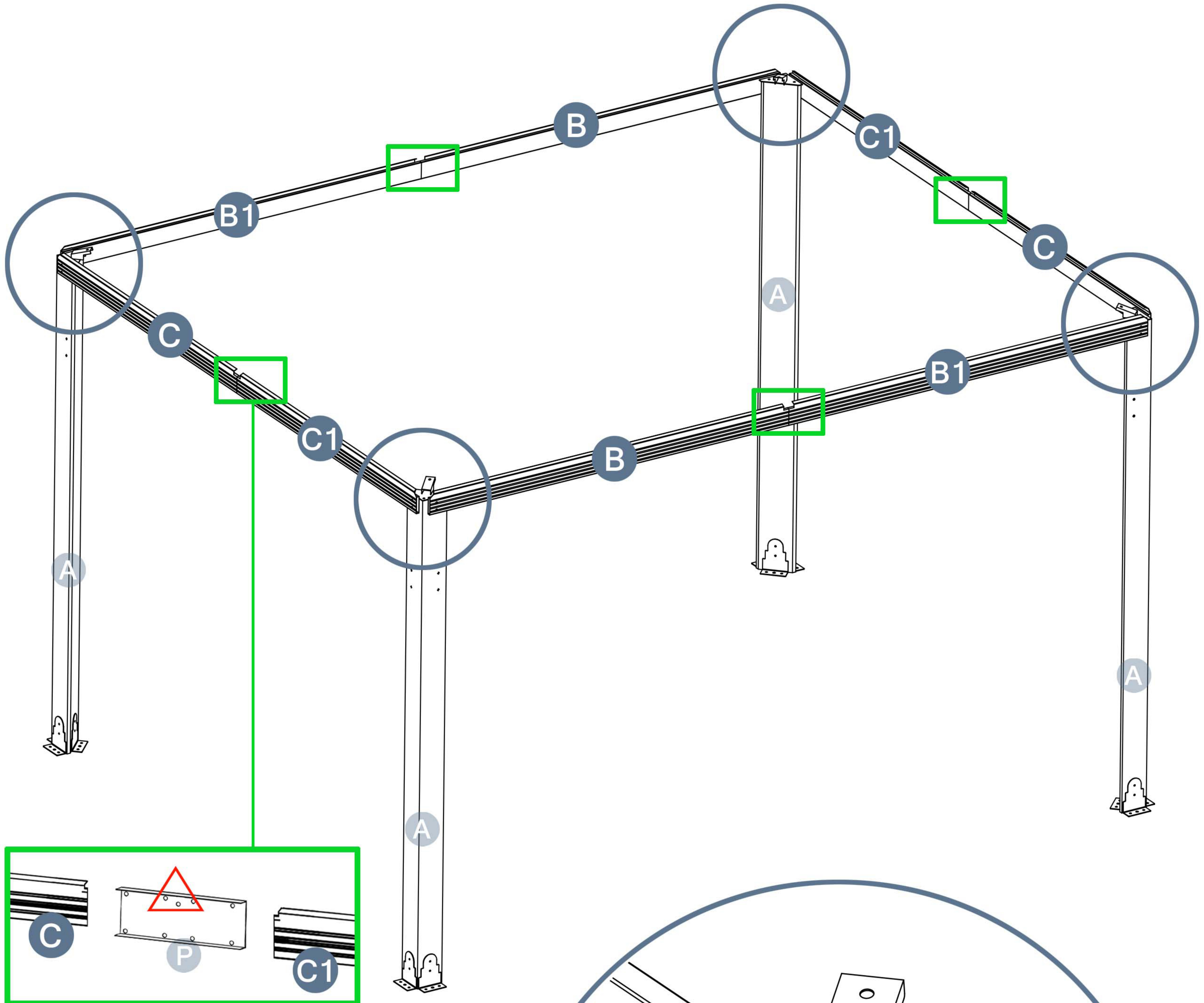
Please take care of the screws and contact the after-sales service if there is any problem with the installation or parts.



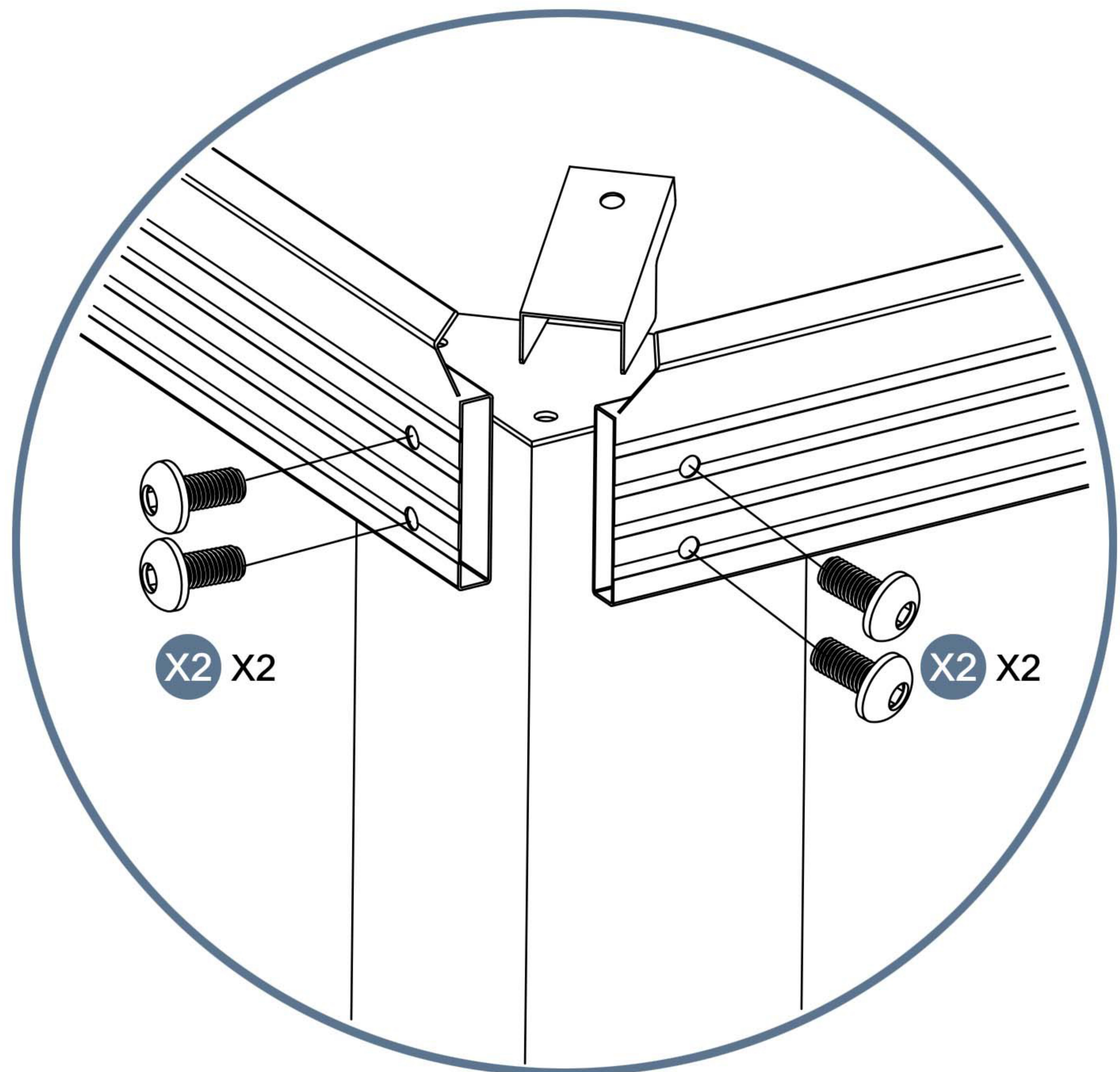
E-mail: [cs.helper01@gmail.com](mailto:cs.helper01@gmail.com)

# STEP 3

Parts required



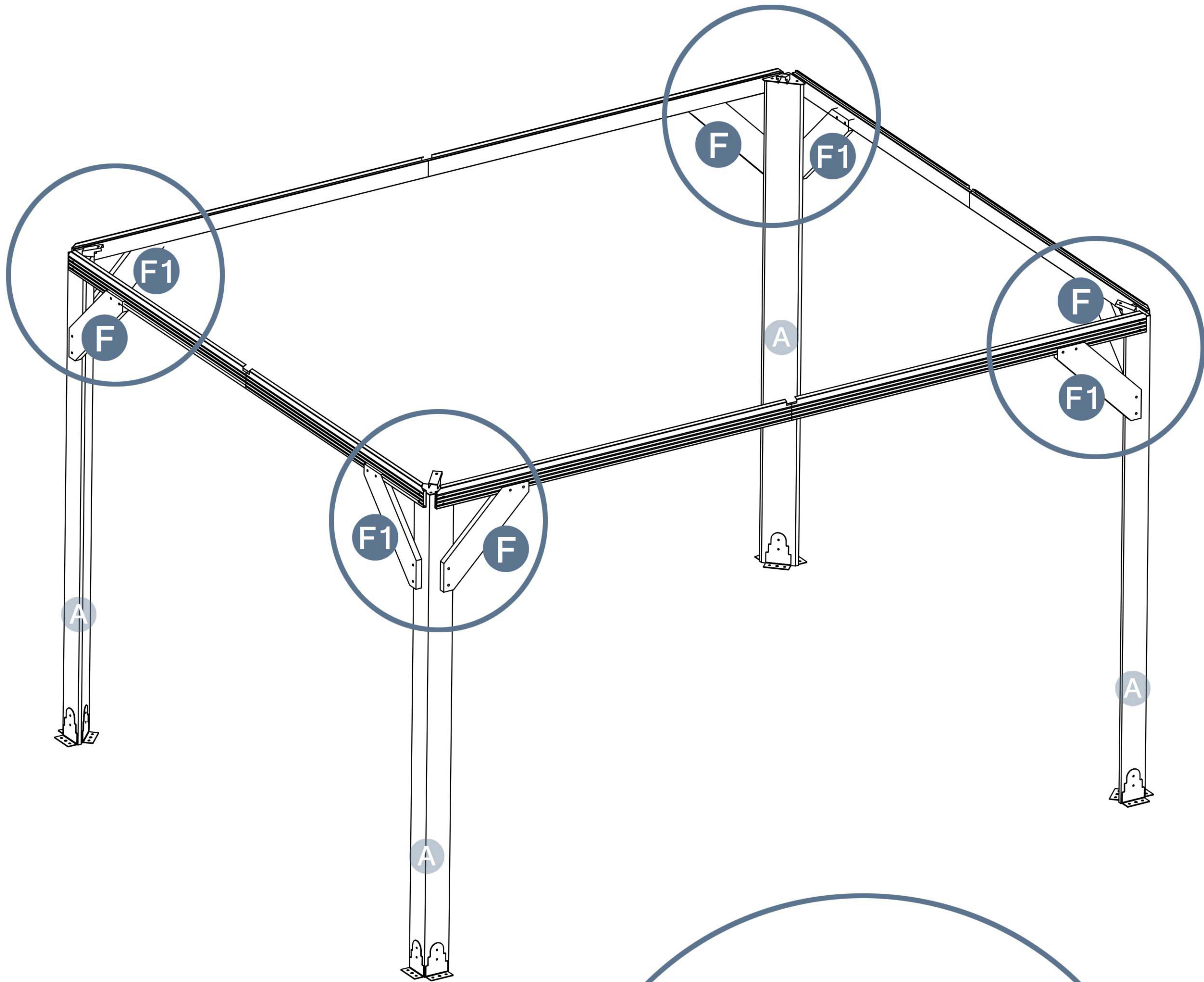
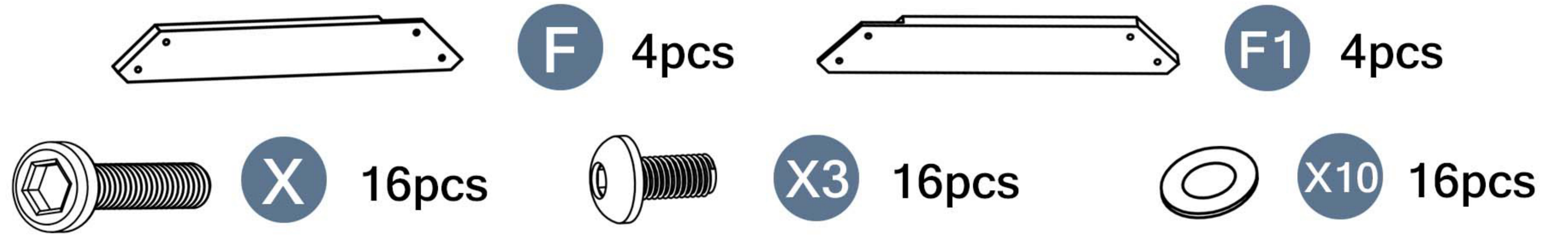
!!! Before installing in this step, please make sure that the 3 holes are facing up




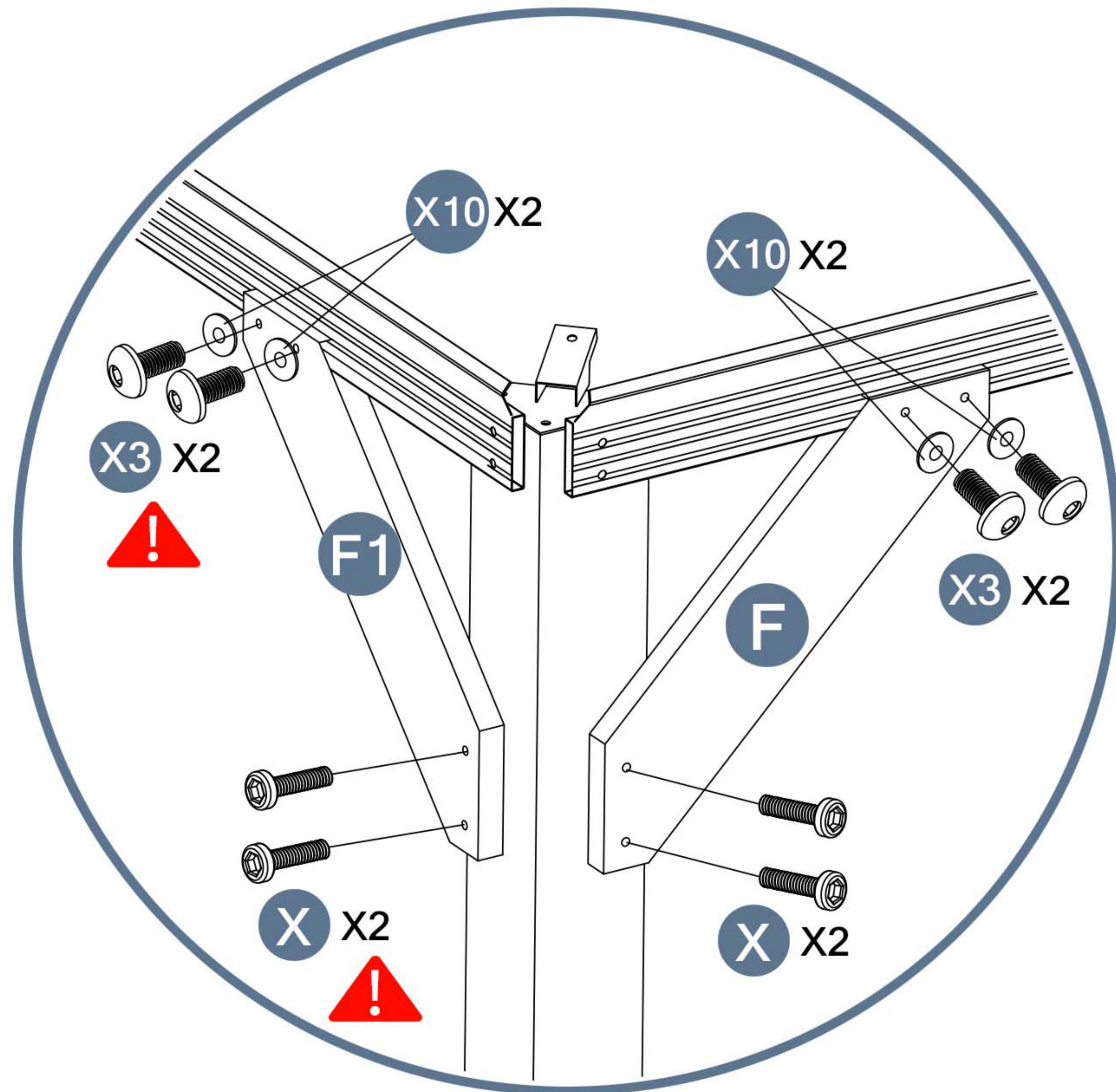
Please take care of the screws and contact the after-sales service if there is any problem with the installation or parts.

# STEP 4

Parts required



!!! Note  the screws above and below are different.

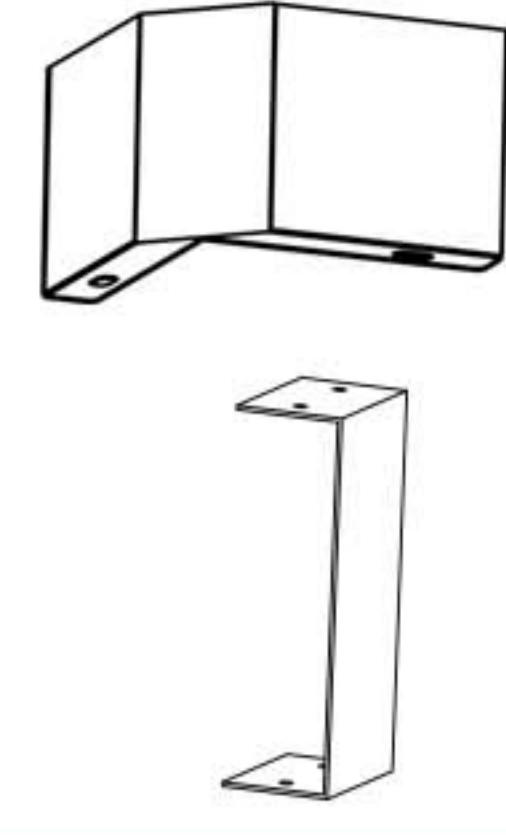


Please take care of the screws and contact the after-sales service if there is any problem with the installation or parts.

  E-mail: [cs.helper01@gmail.com](mailto:cs.helper01@gmail.com)

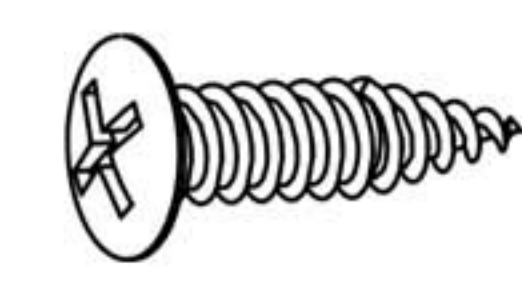
# STEP 5

Parts required



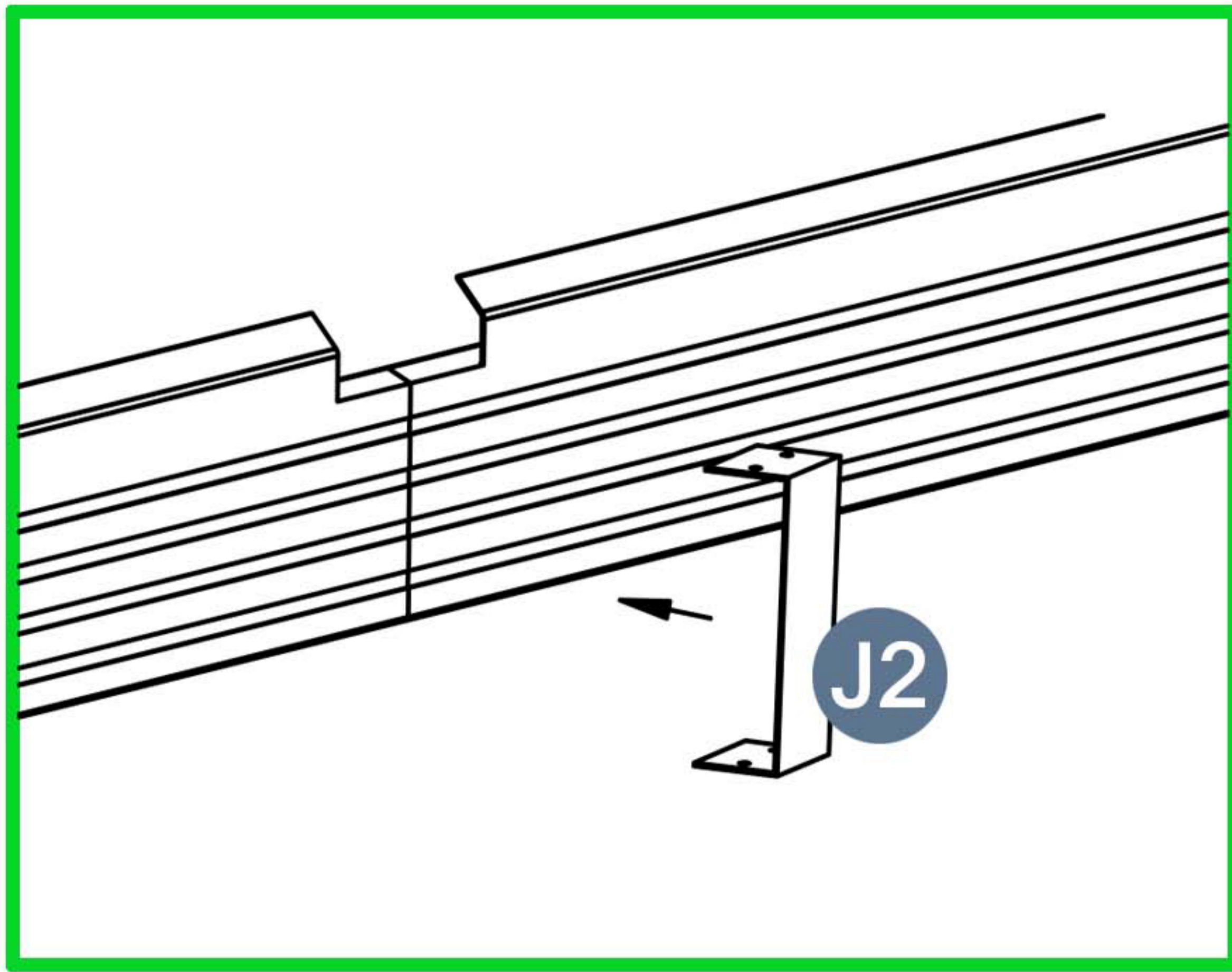
J1 4pcs

J2 4pcs

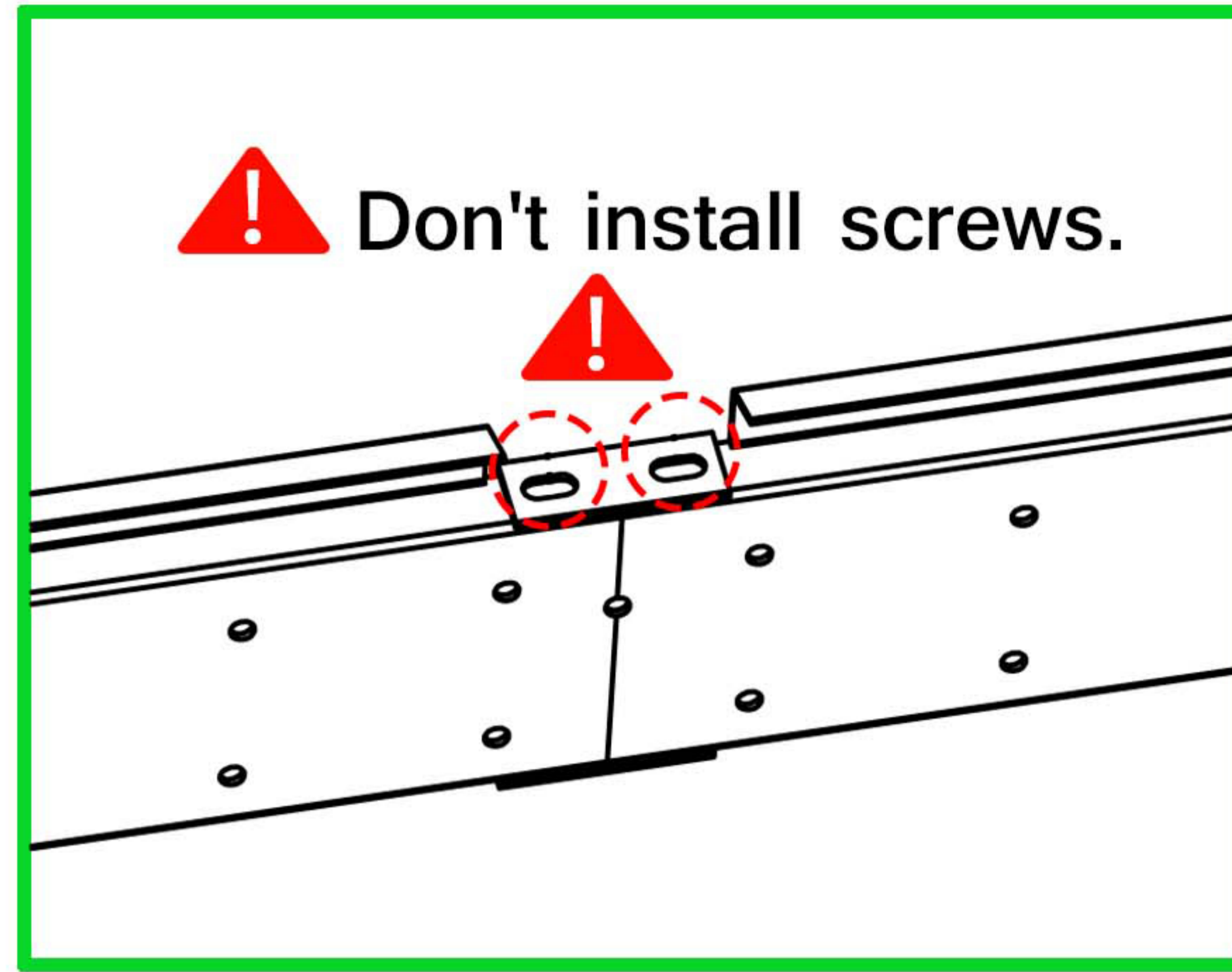


X1 16pcs

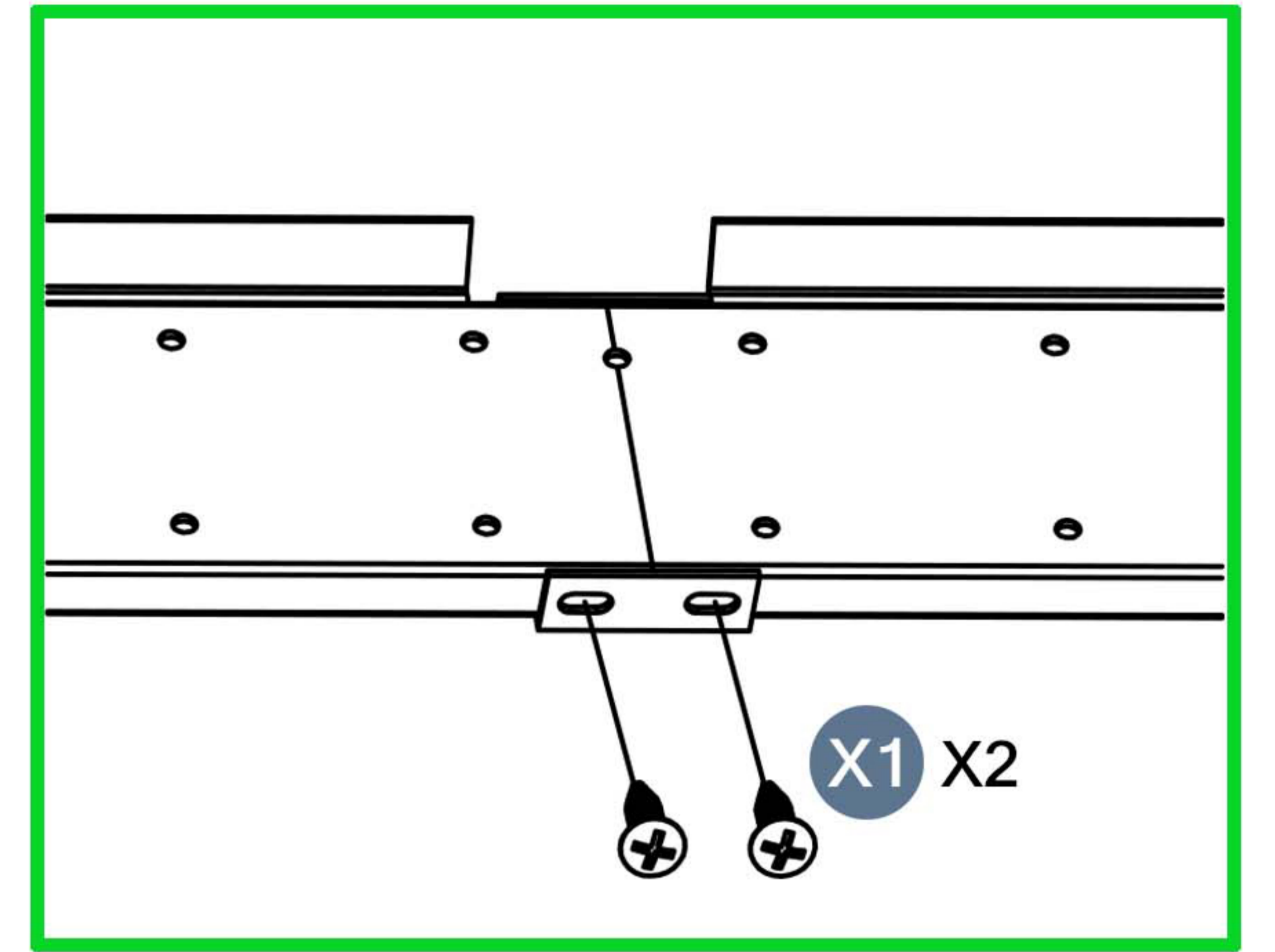
1 → 2 → 3 → 4



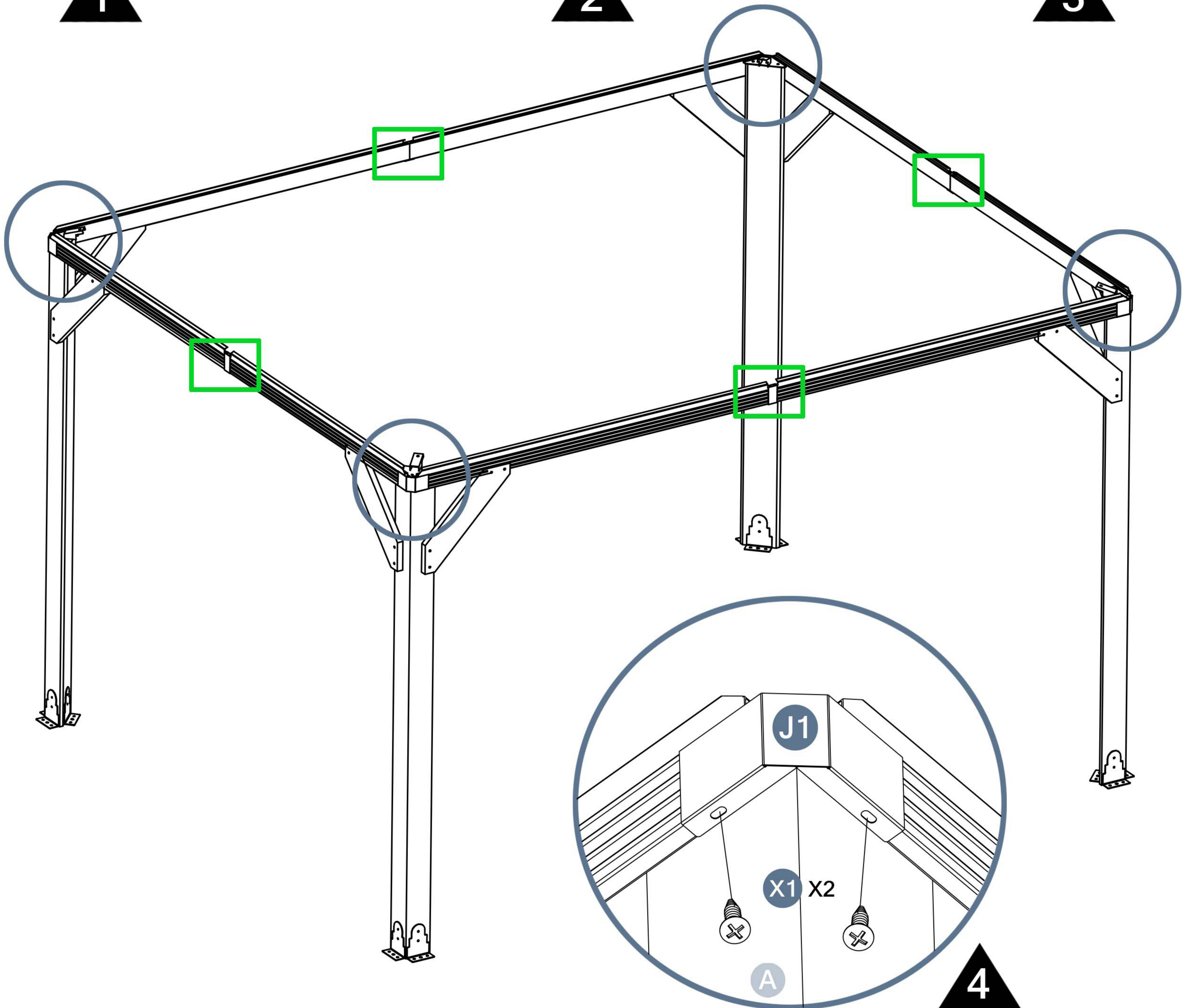
1



2

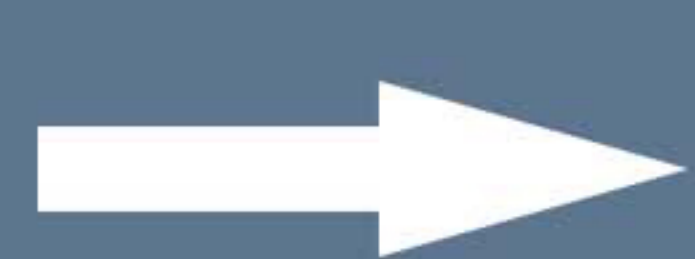


3



4

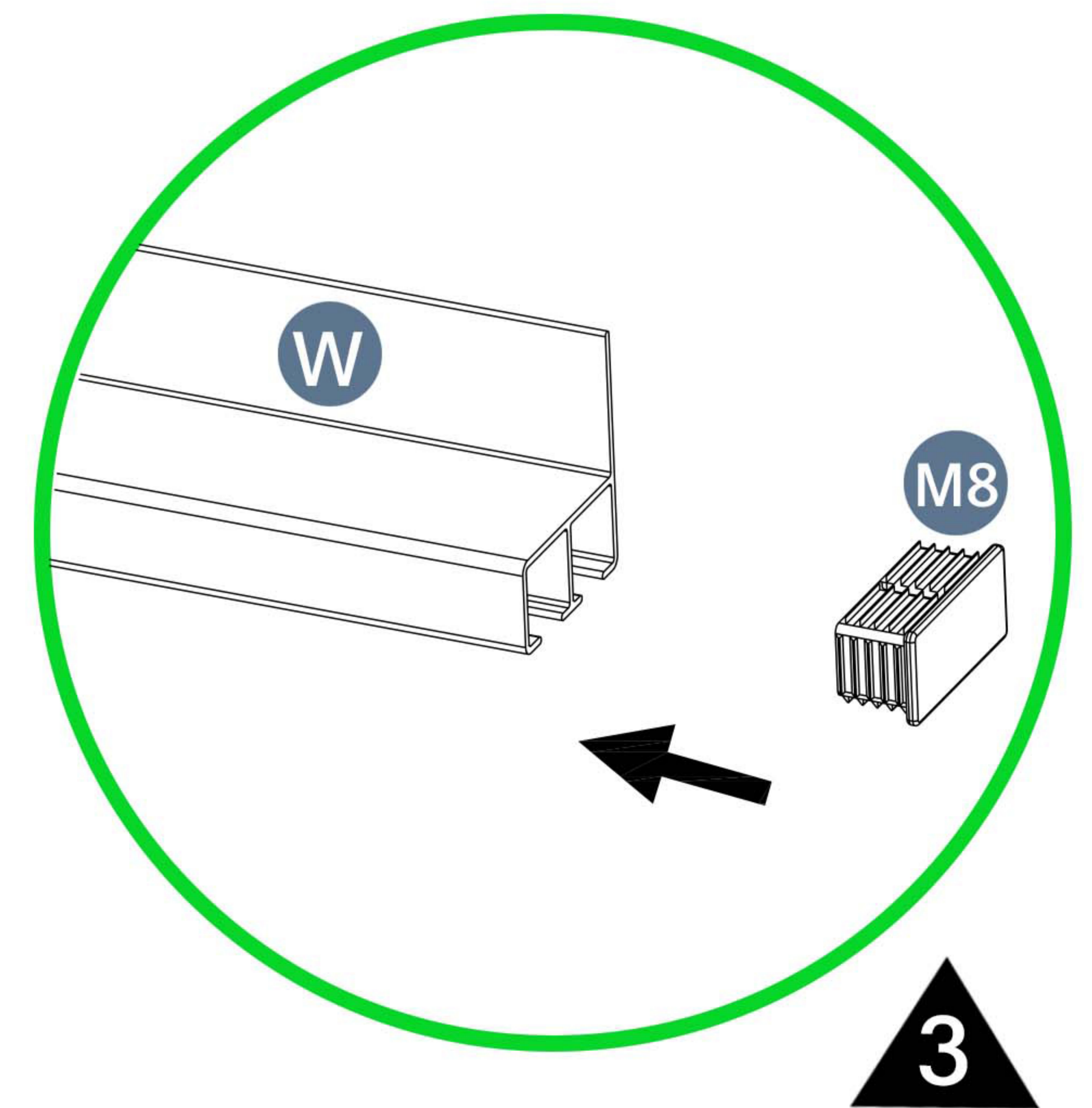
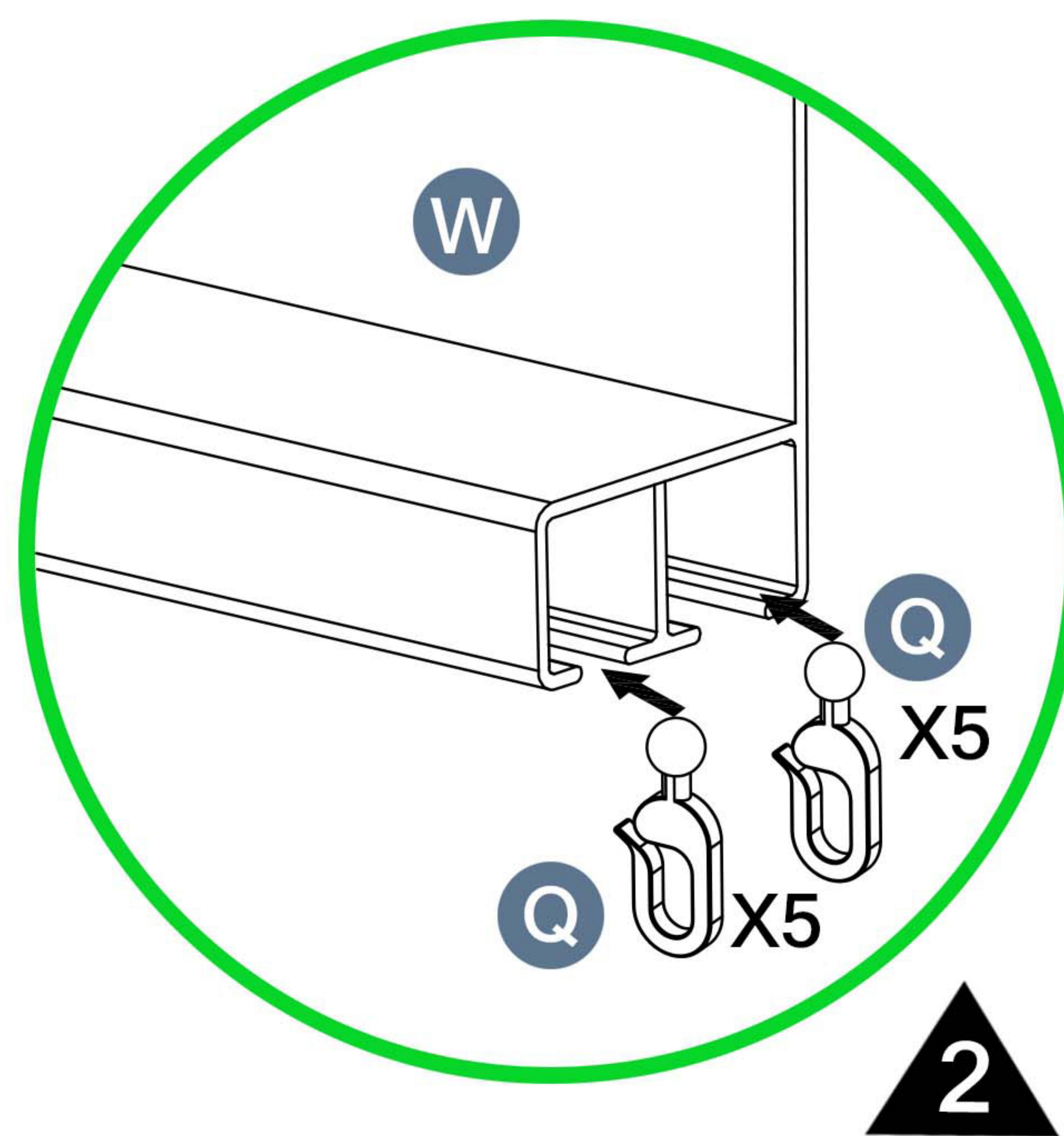
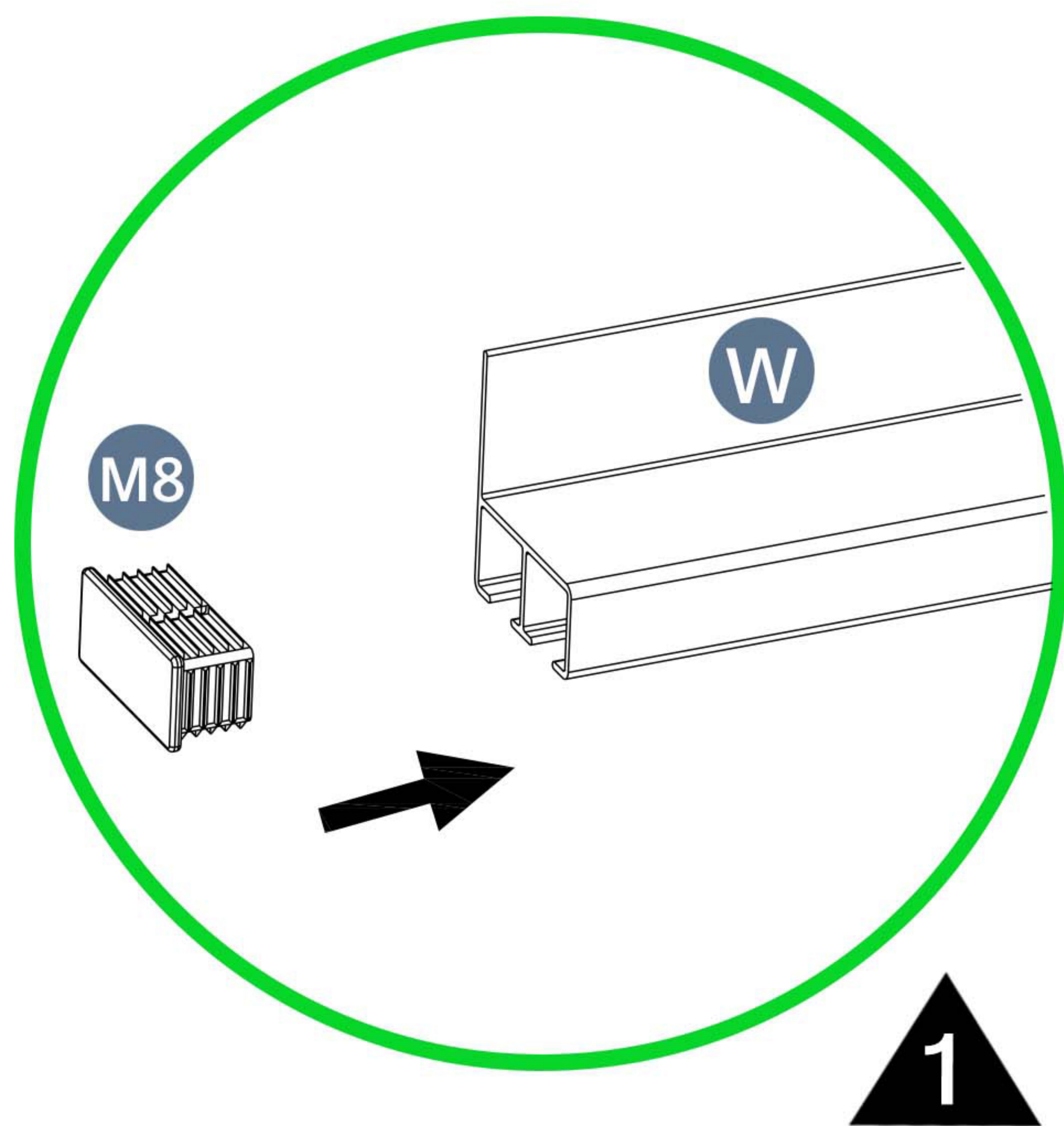
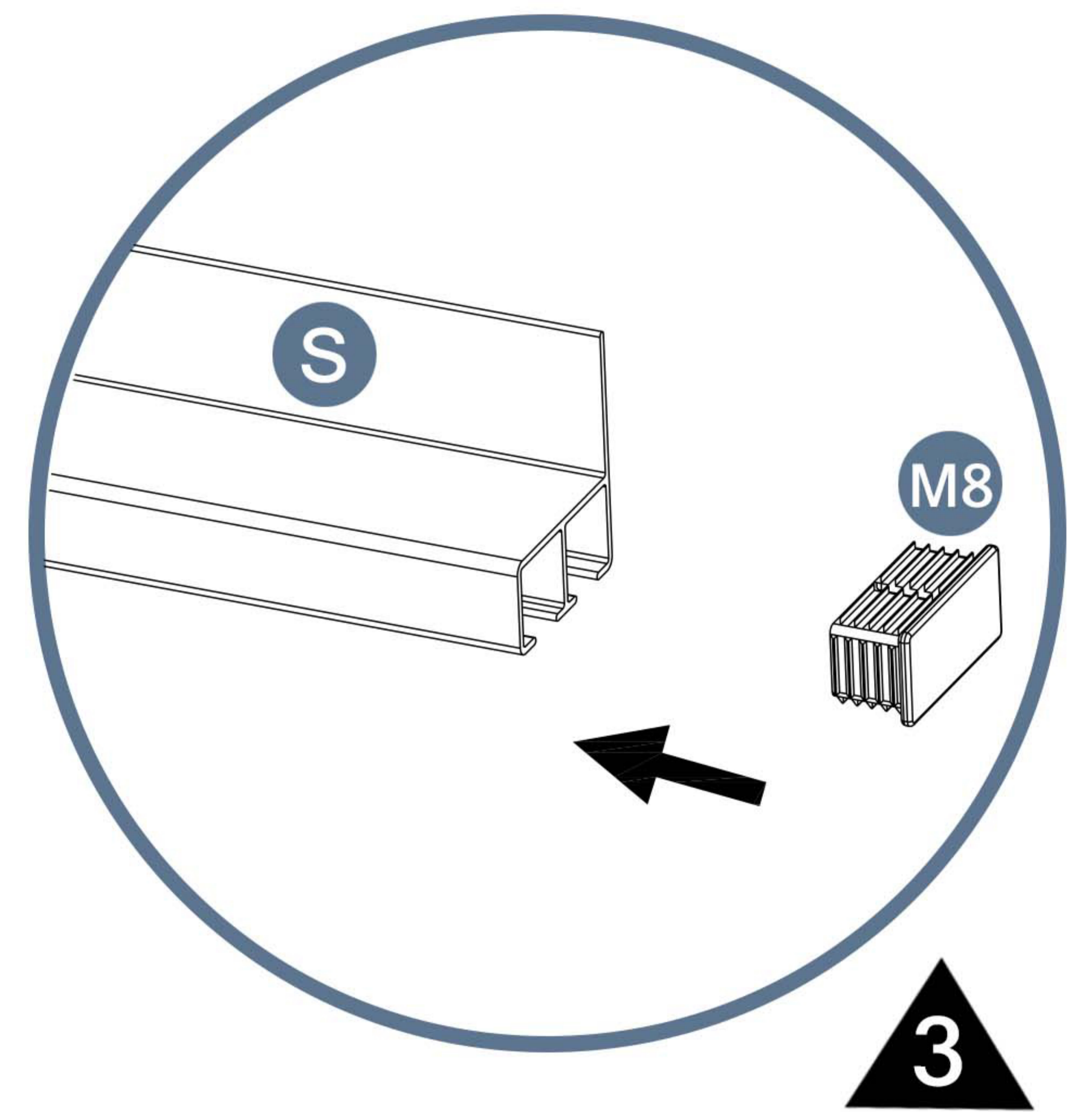
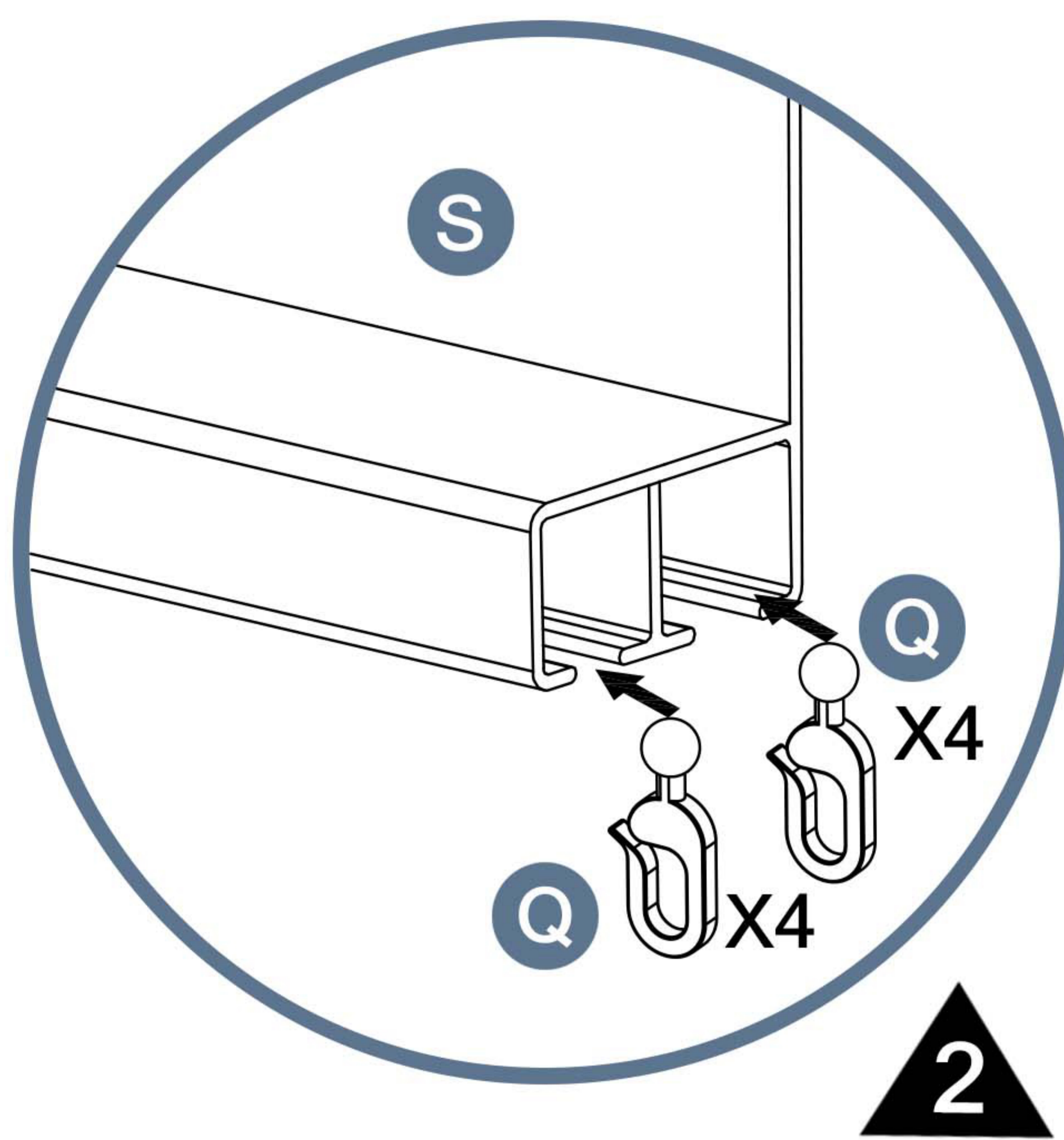
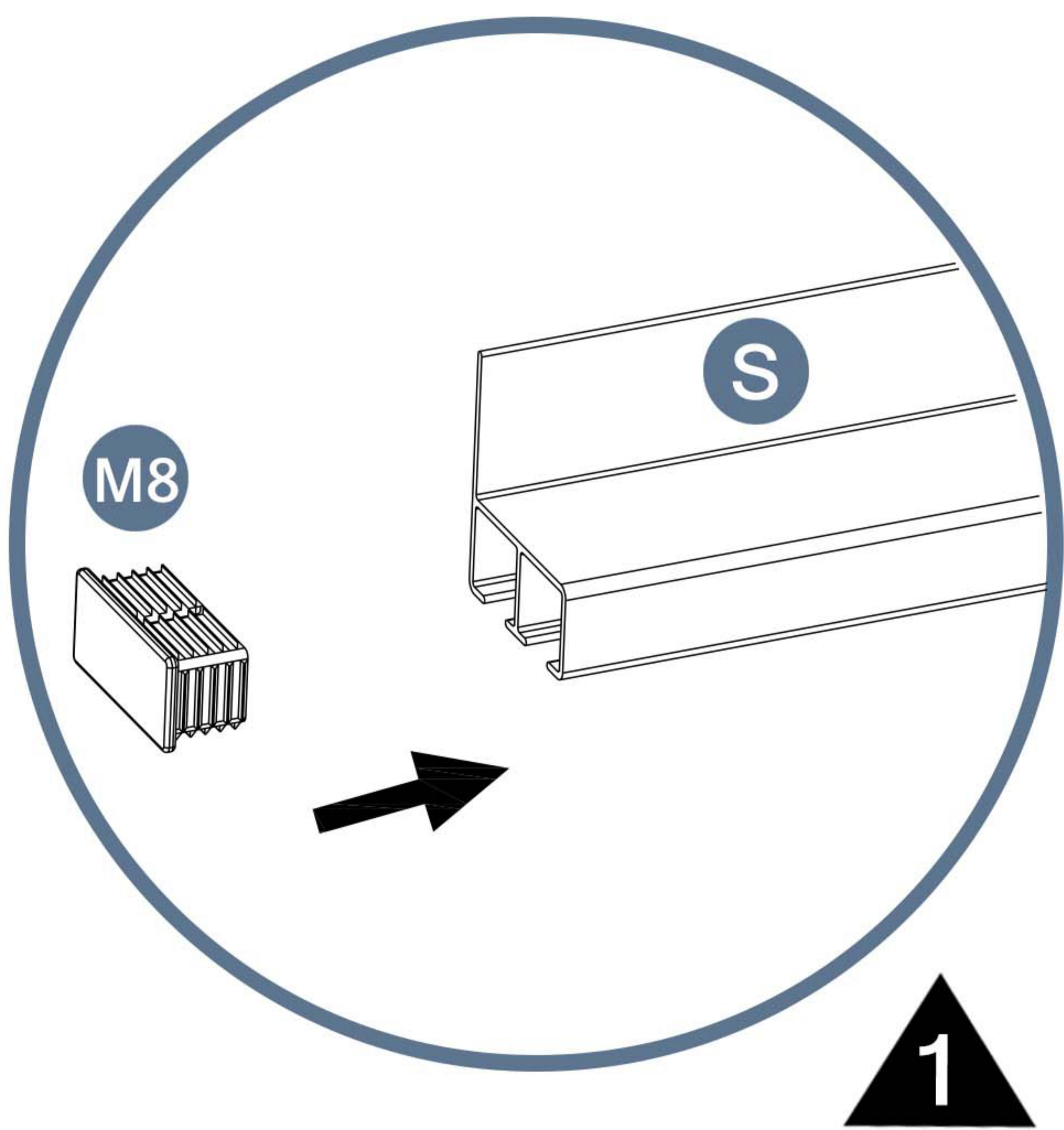
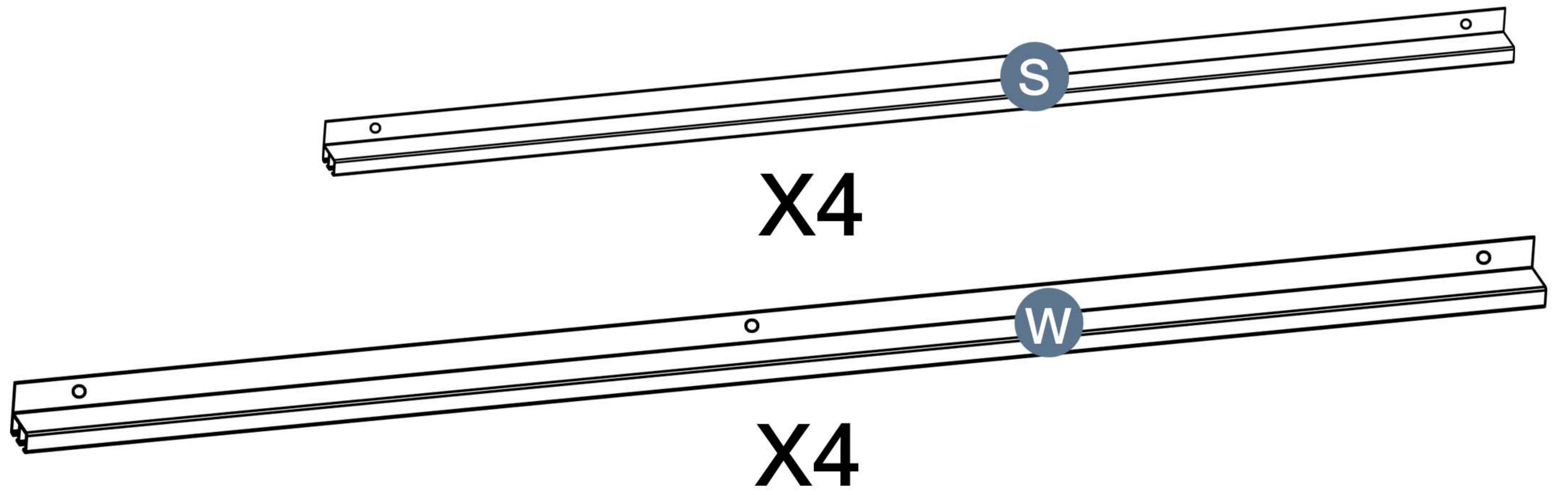
Please take care of the screws and contact the after-sales service if there is any problem with the installation or parts.



E-mail: [cs.helper01@gmail.com](mailto:cs.helper01@gmail.com)

# STEP 6

Parts required

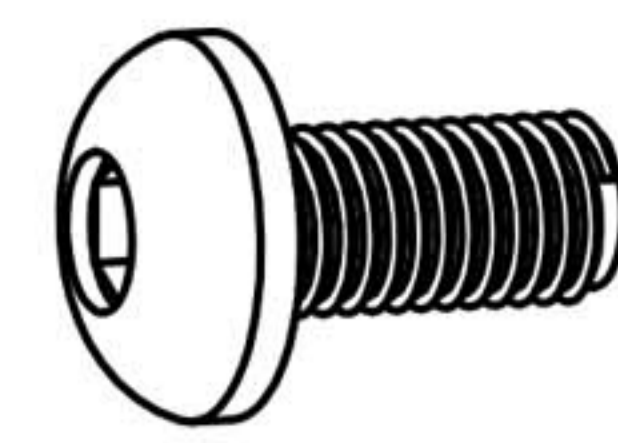


Please take care of the screws and contact the after-sales service if there is any problem with the installation or parts.

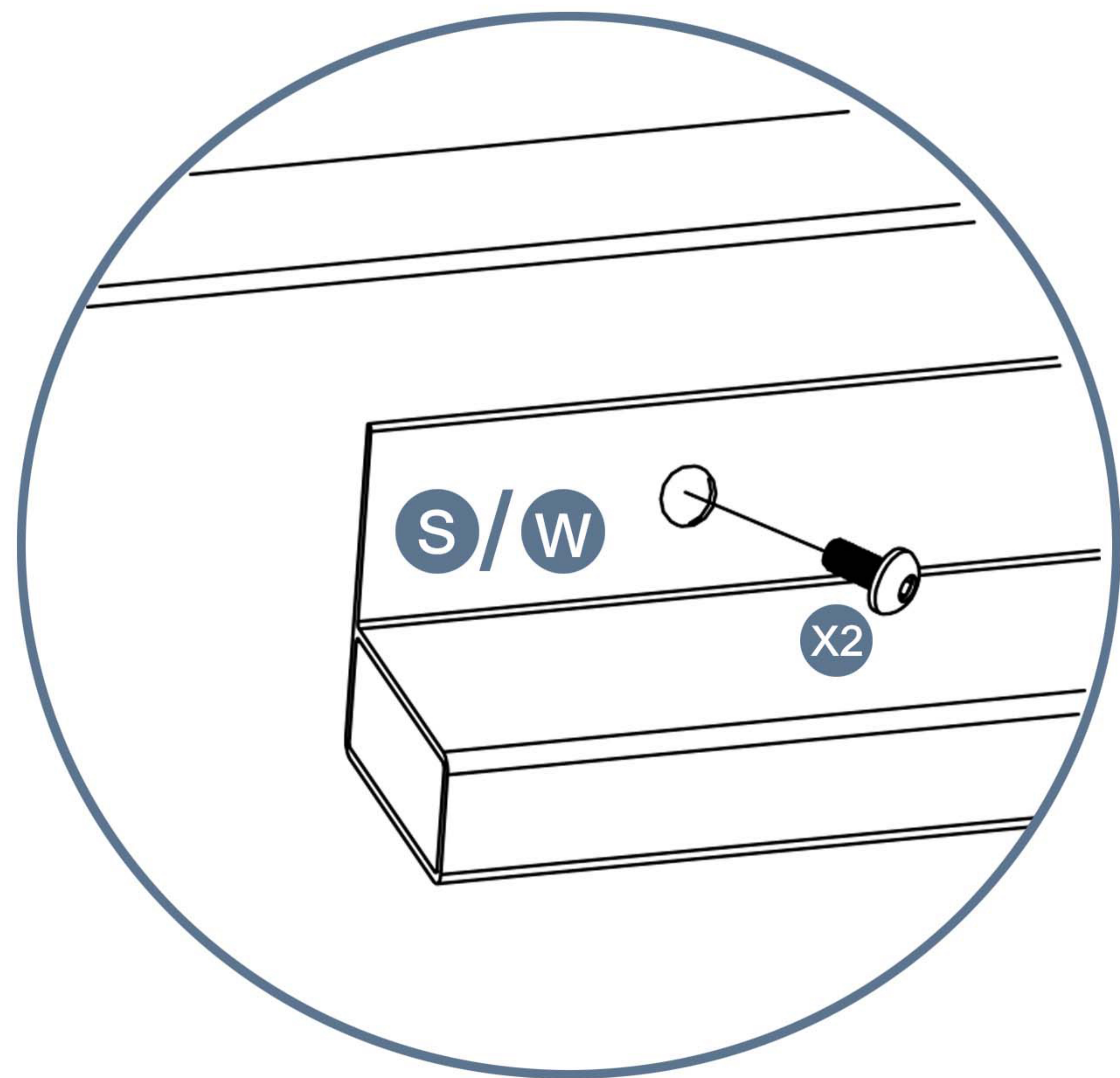
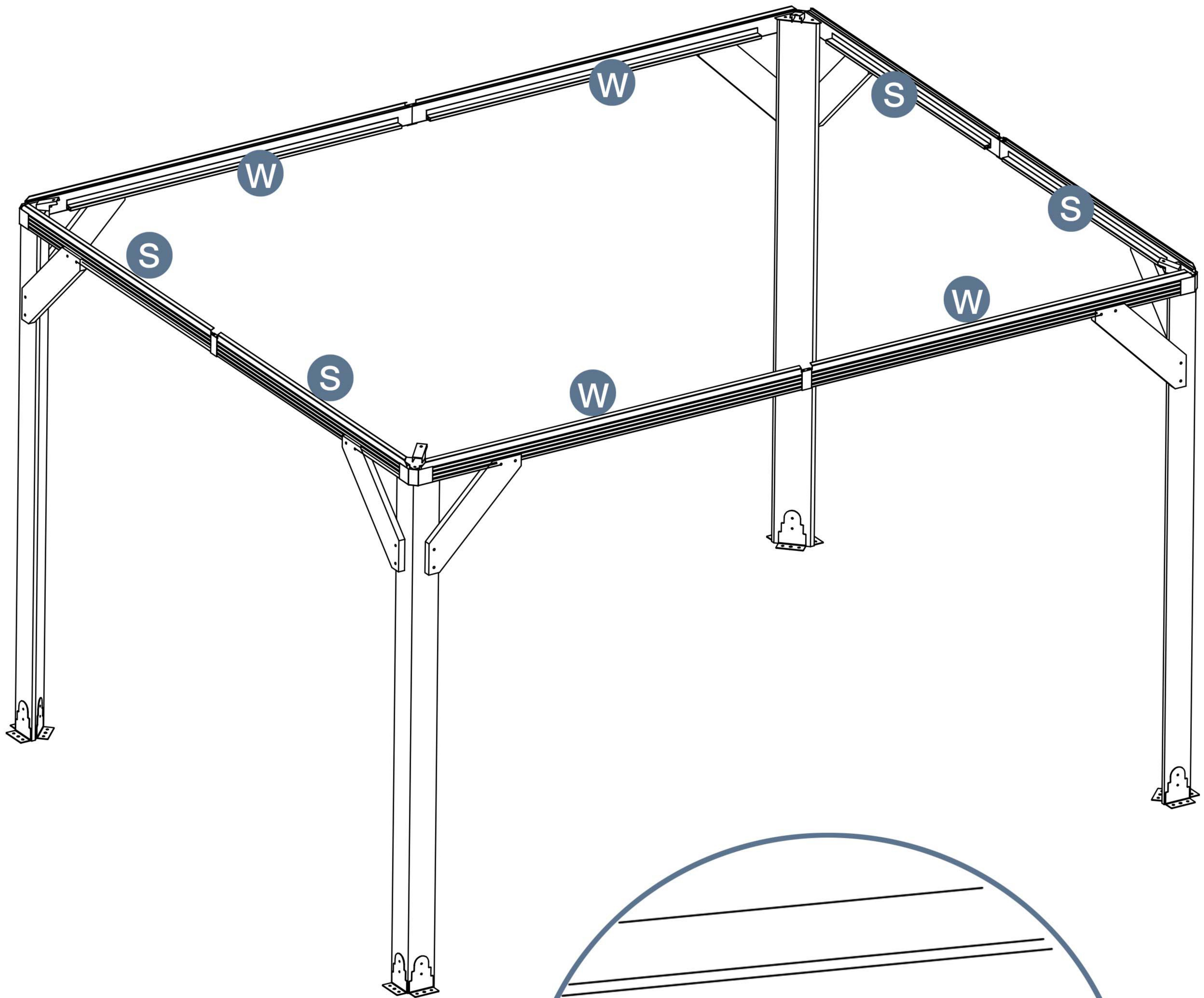
➔ E-mail: [cs.helper01@gmail.com](mailto:cs.helper01@gmail.com)

# STEP 7

Parts required



X2 20pcs



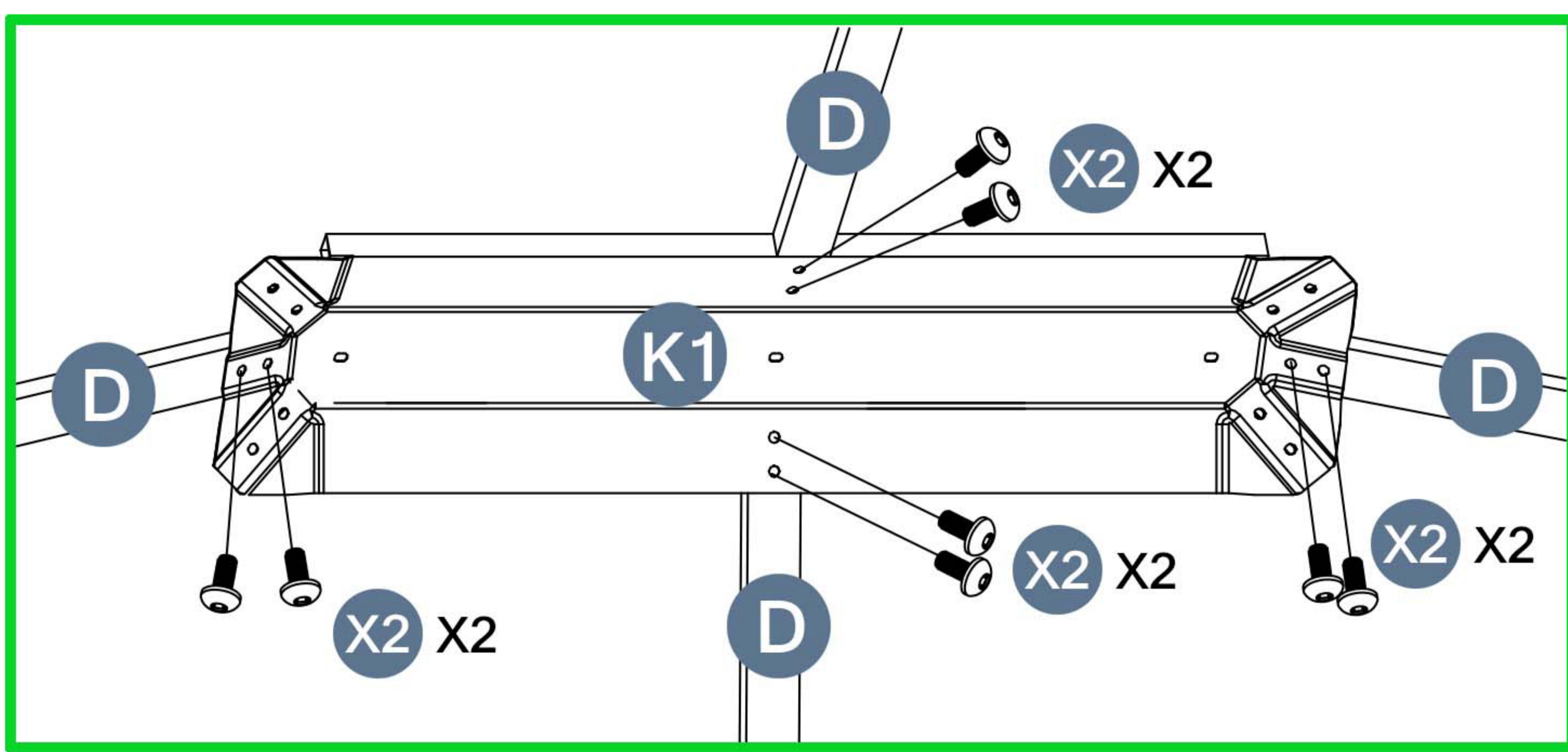
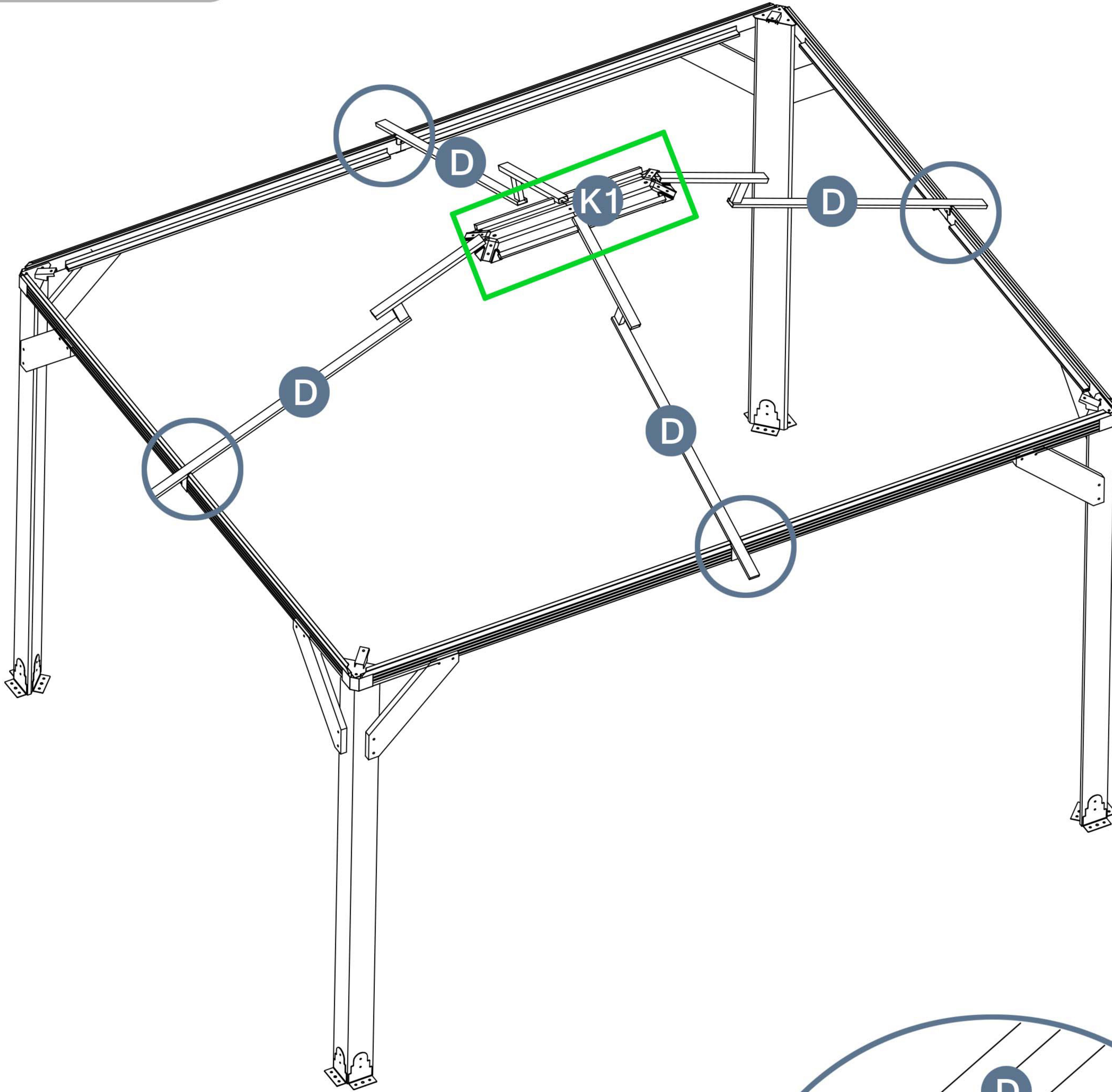
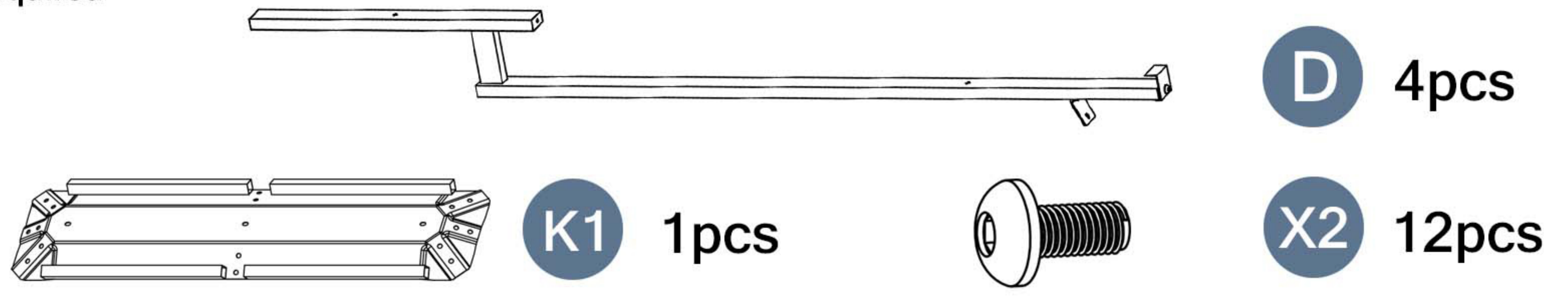
Please take care of the screws and contact the after-sales service if there is any problem with the installation or parts.



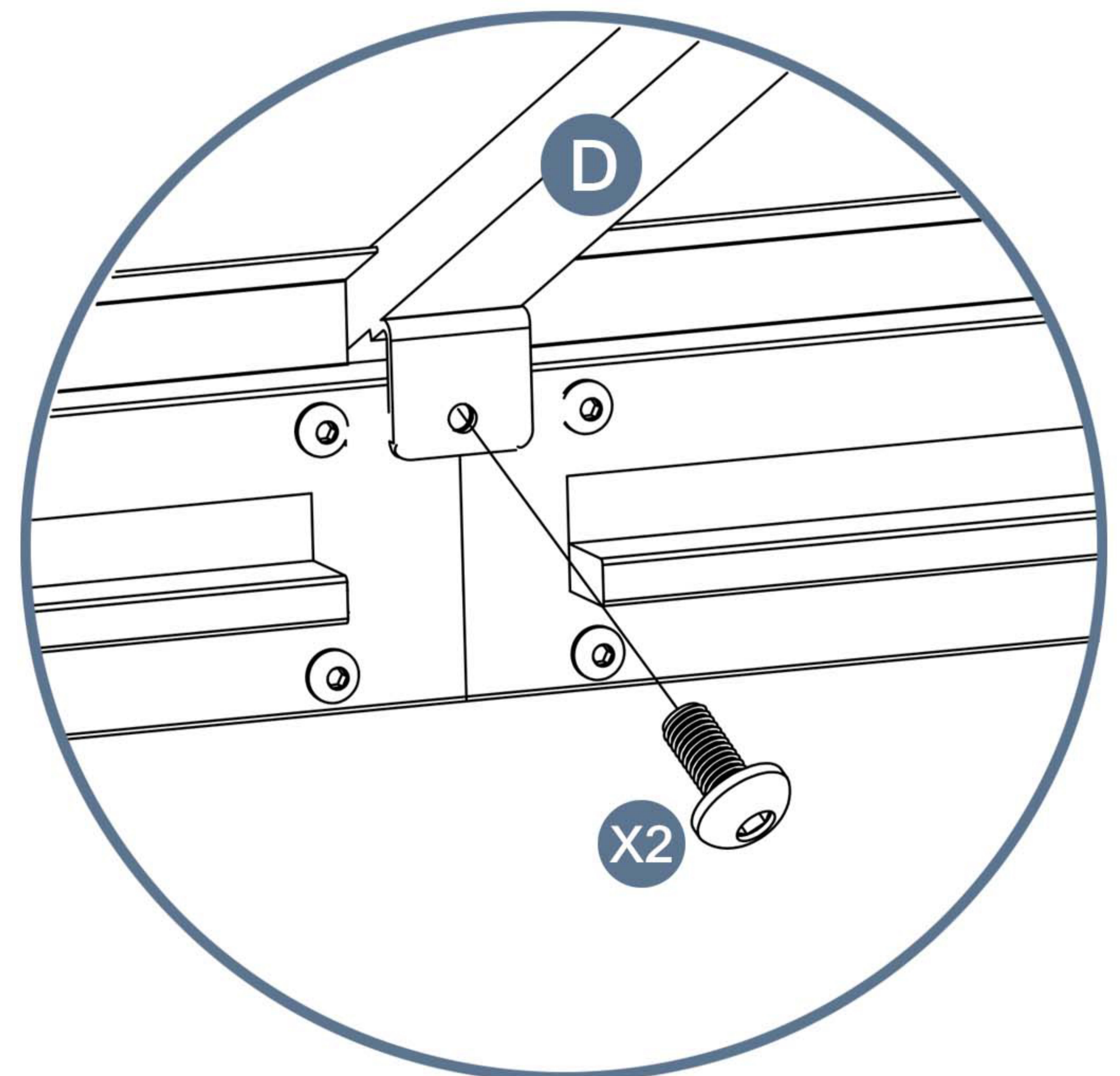
E-mail: [cs.helper01@gmail.com](mailto:cs.helper01@gmail.com)

# STEP 8

Parts required



1



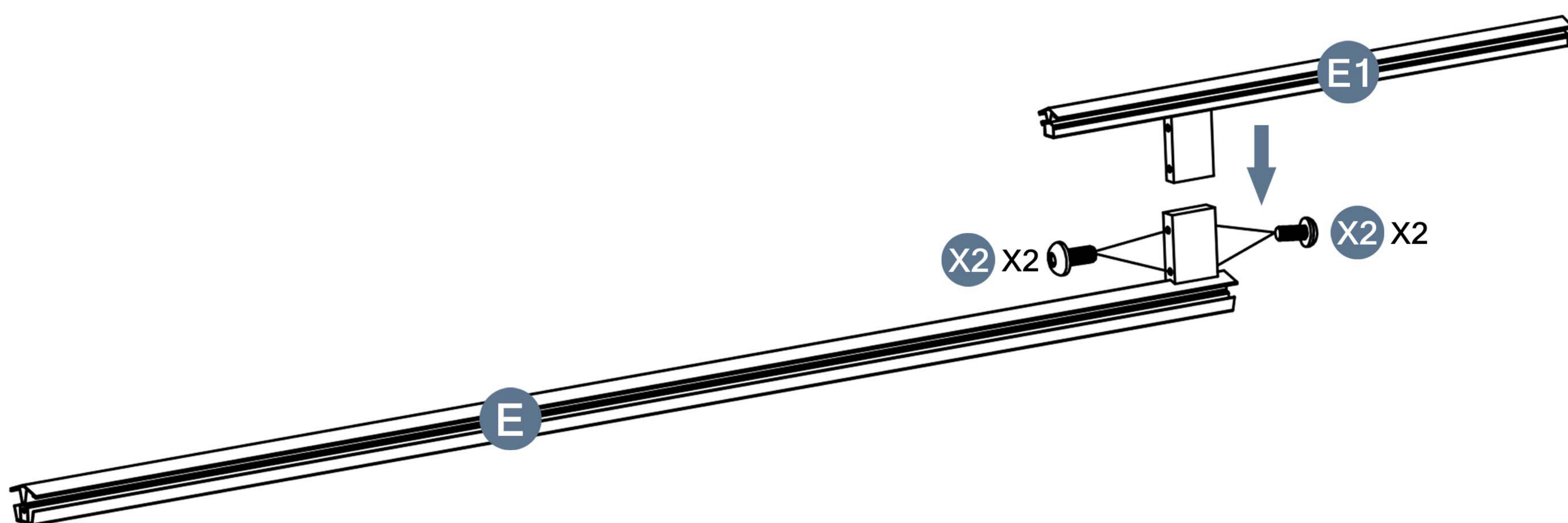
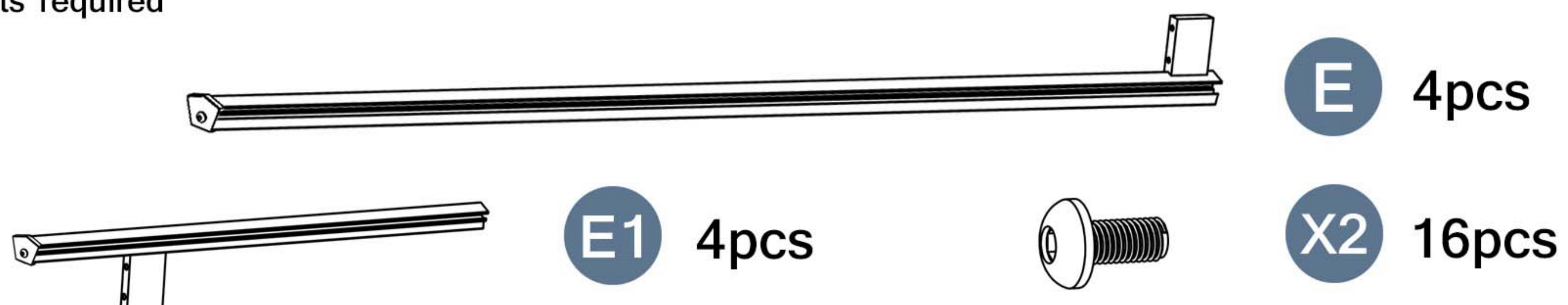
2

Please take care of the screws and contact the after-sales service if there is any problem with the installation or parts.

➔ ✉ E-mail: [cs.helper01@gmail.com](mailto:cs.helper01@gmail.com)

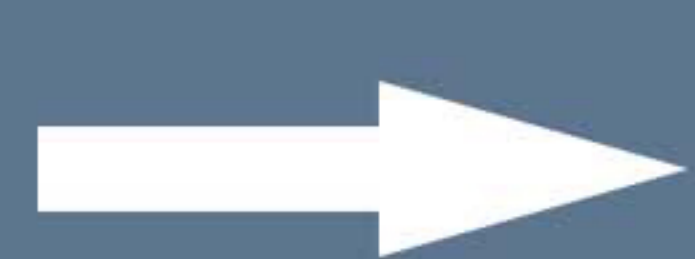
# STEP 9

Parts required



X4

Please take care of the screws and contact the after-sales service if there is any problem with the installation or parts.



E-mail: [cs.helper01@gmail.com](mailto:cs.helper01@gmail.com)

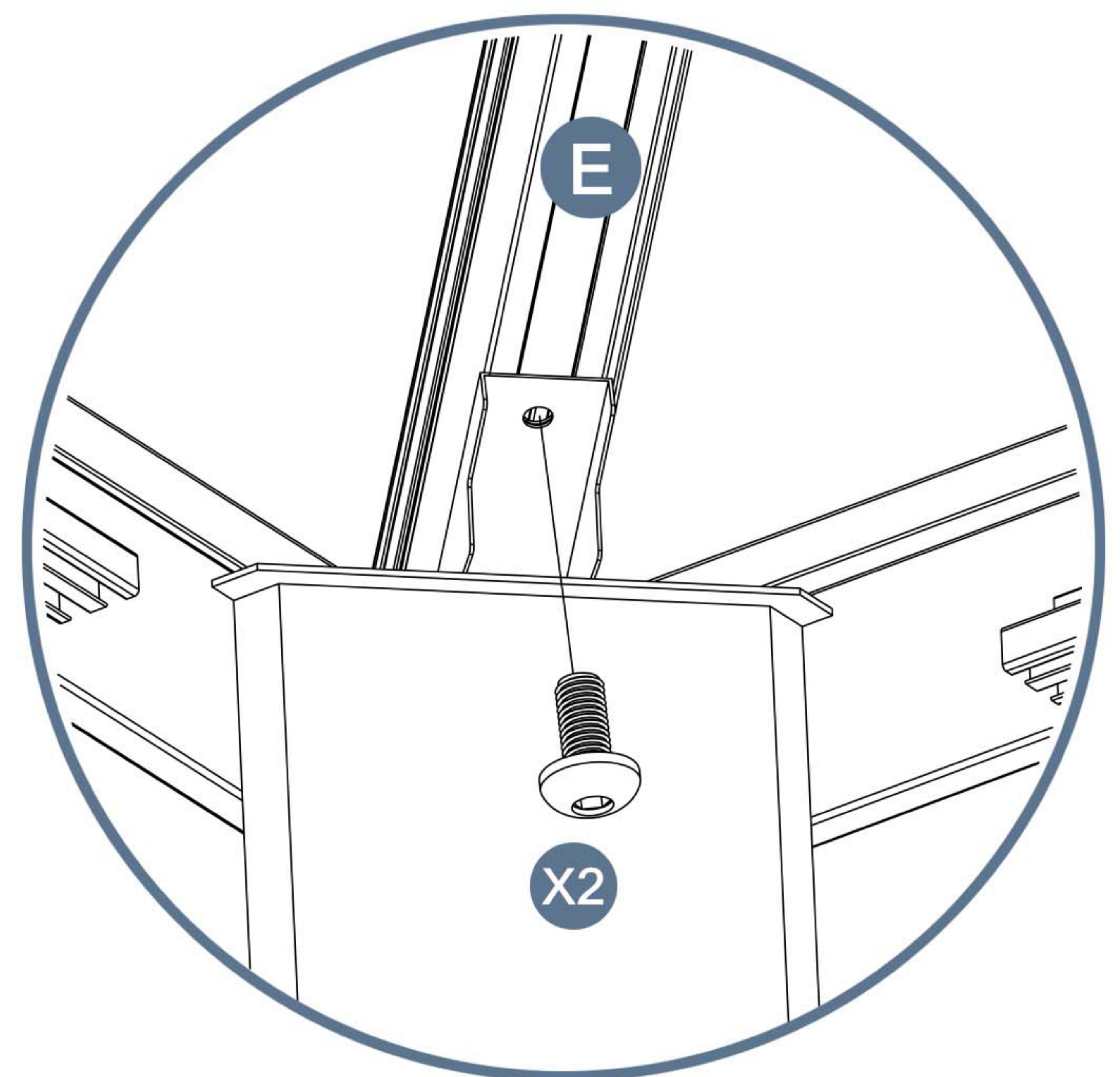
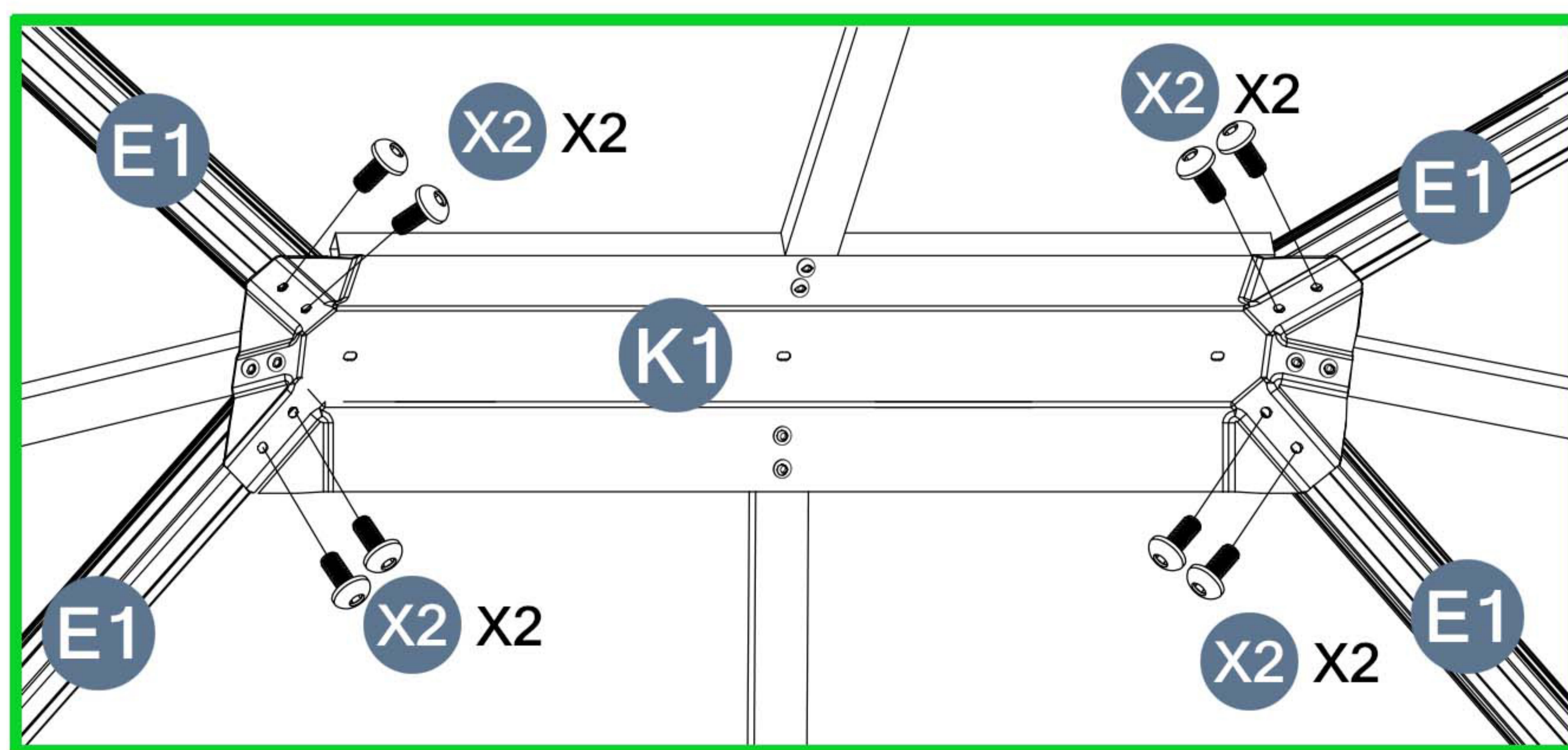
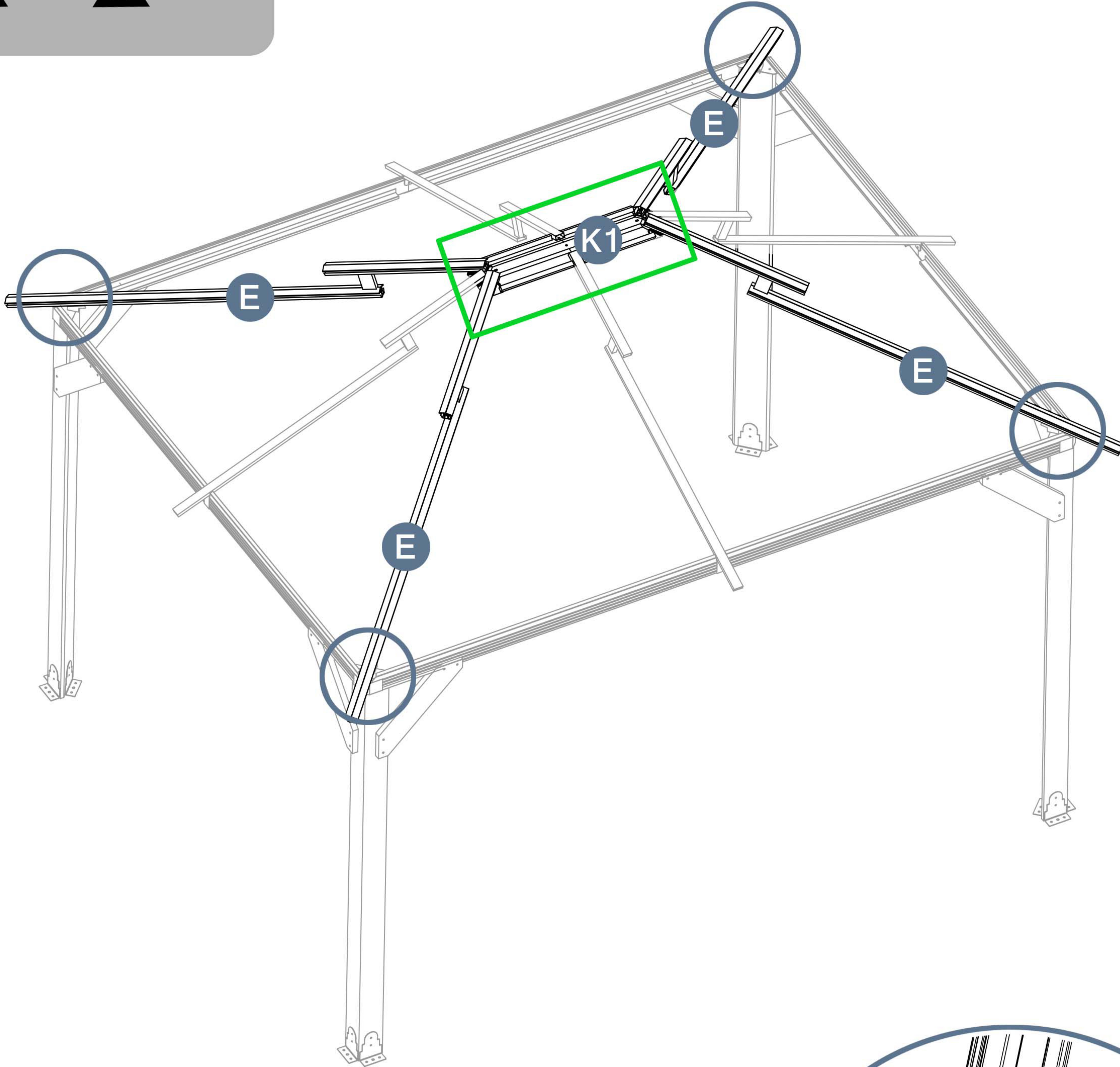
# STEP 10

Parts required

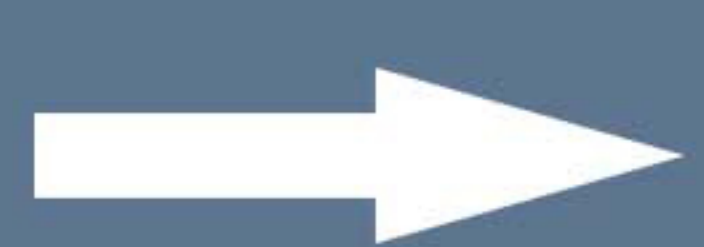


X2 12pcs

1 → 2



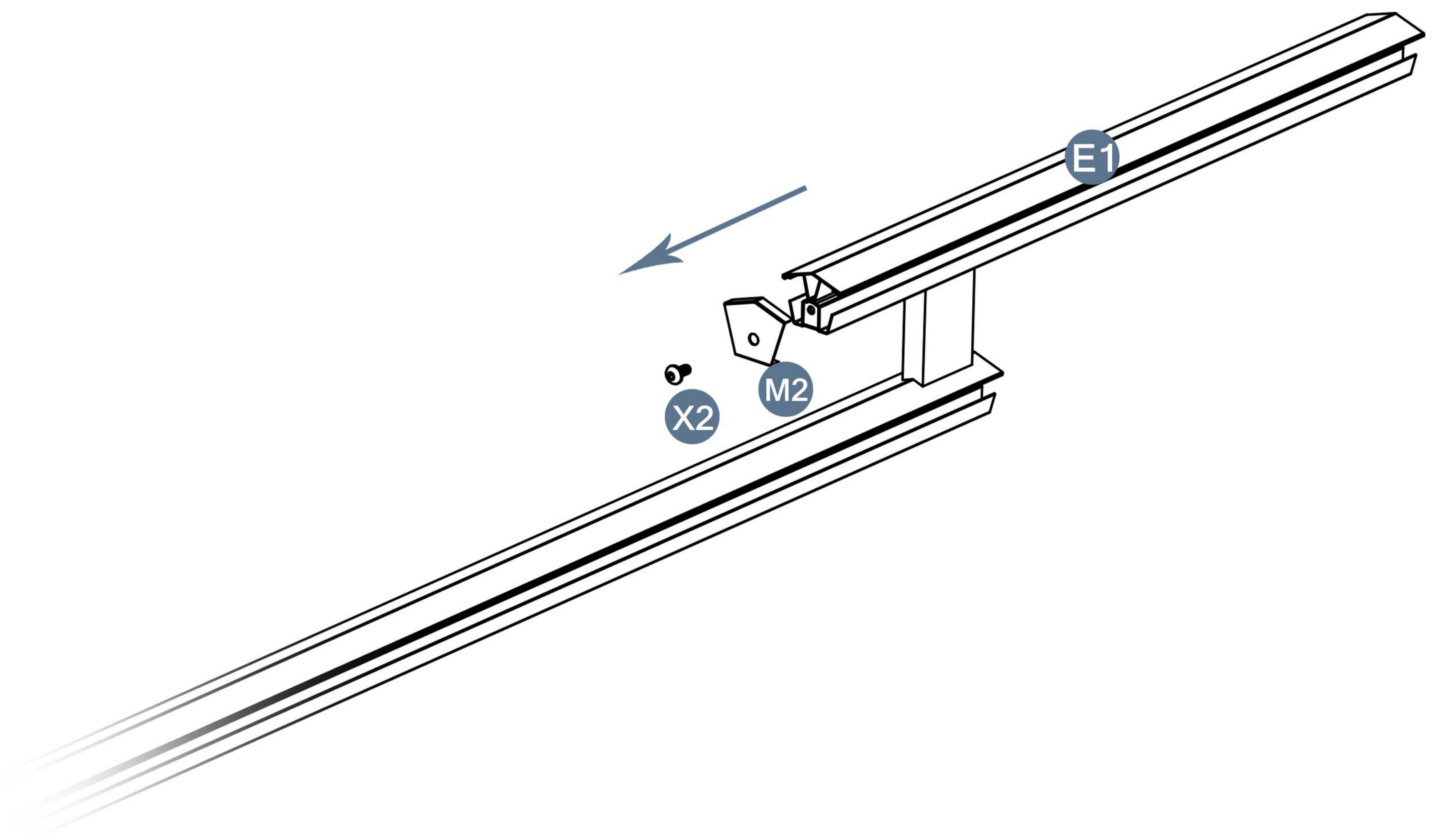
Please take care of the screws and contact the after-sales service if there is any problem with the installation or parts.



E-mail: [cs.helper01@gmail.com](mailto:cs.helper01@gmail.com)

To prevent the loss of M2  
we mounted the M2 on top of the E1 ahead of time

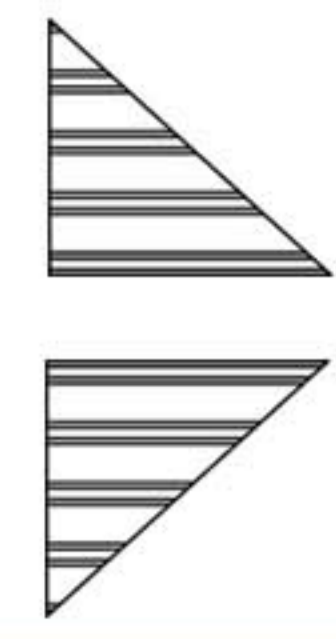
Before installing step 11, please remove the 4 M2's from the part E1. (Reinstall them during step 13) .



Please take care of the screws and contact the after-sales service if there is any problem with the installation or parts.

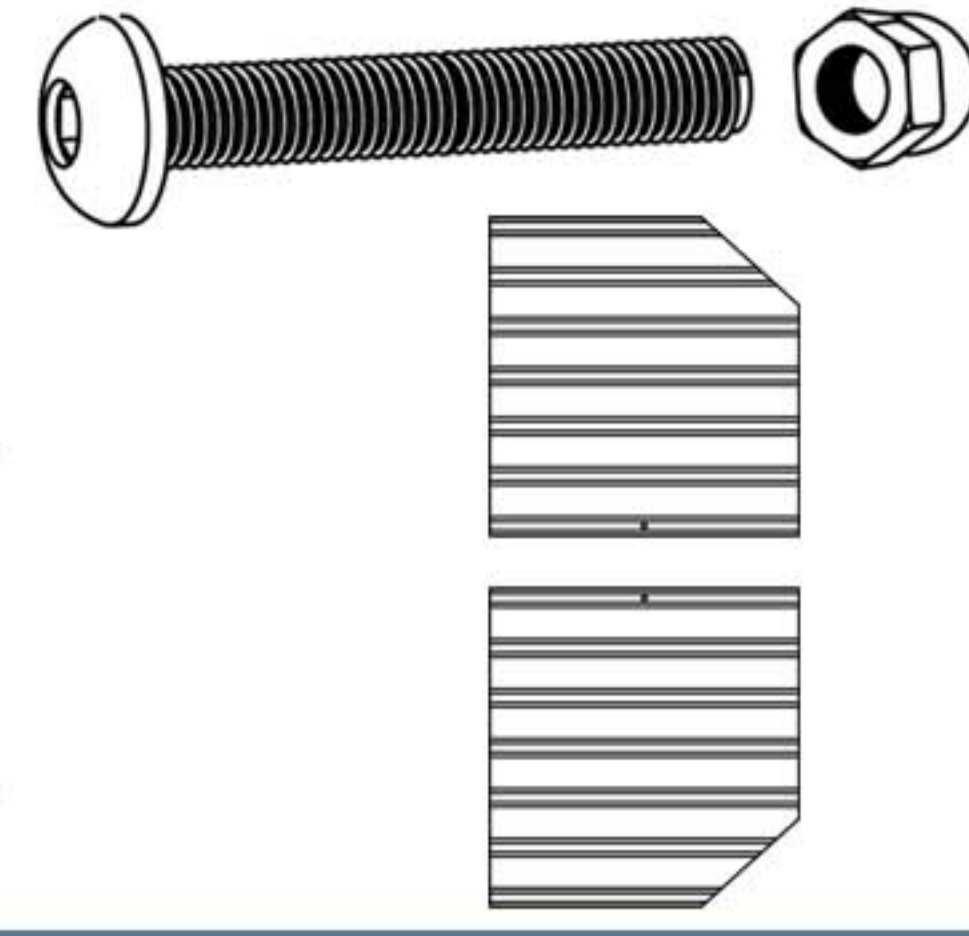
# STEP 11

Parts required



N4 2pcs

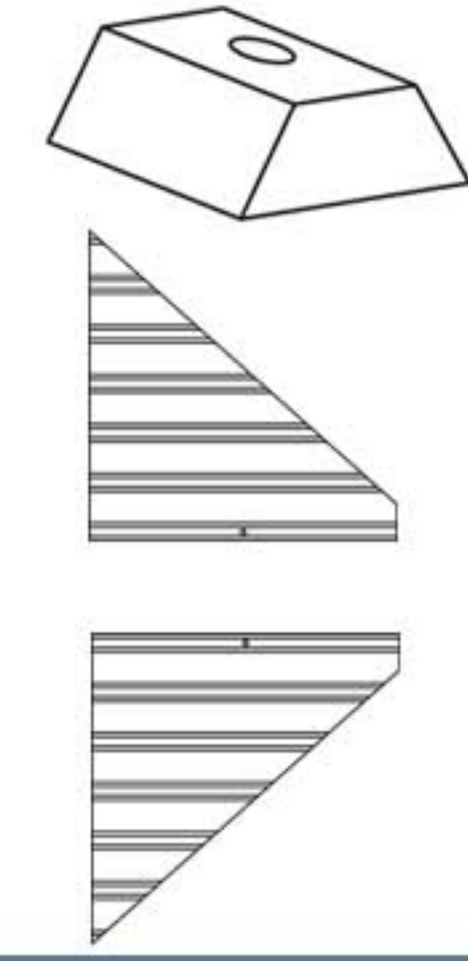
Y4 2pcs



X4 4pcs

N5 2pcs

Y5 2pcs



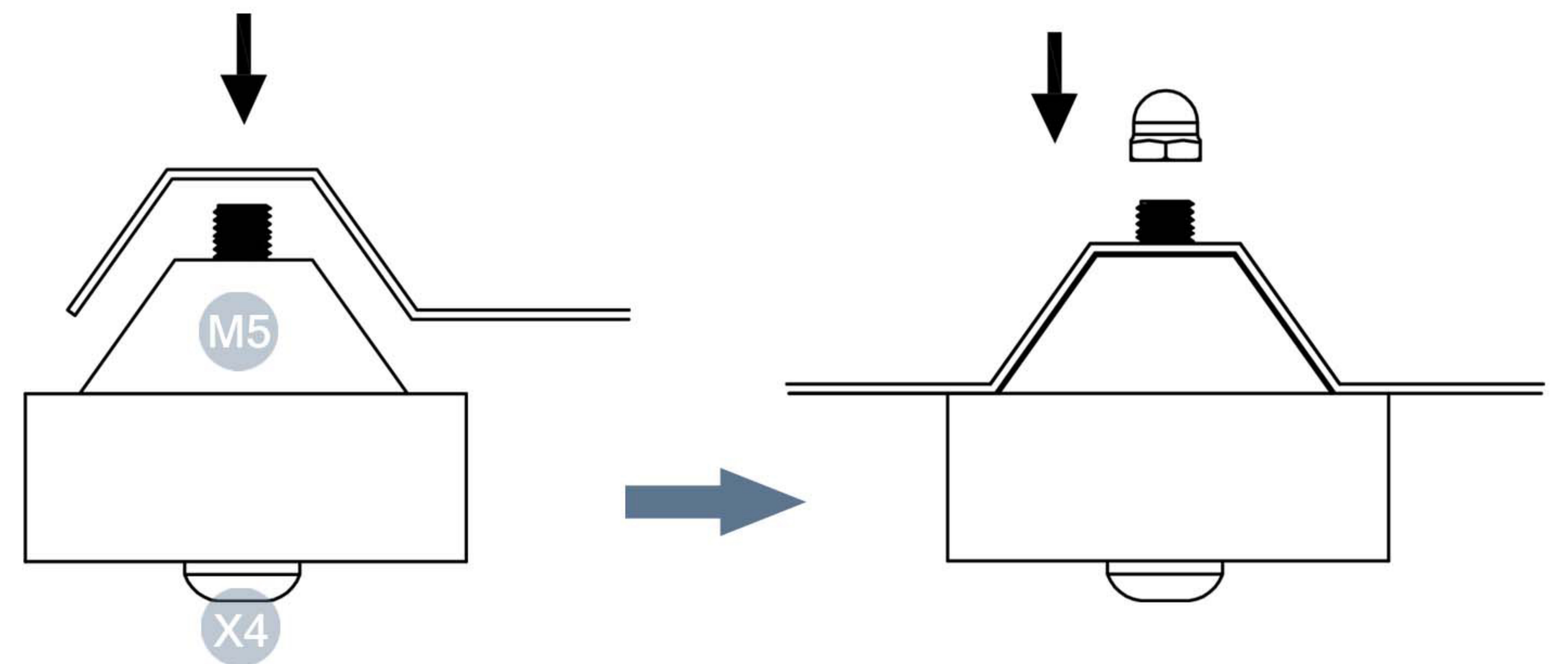
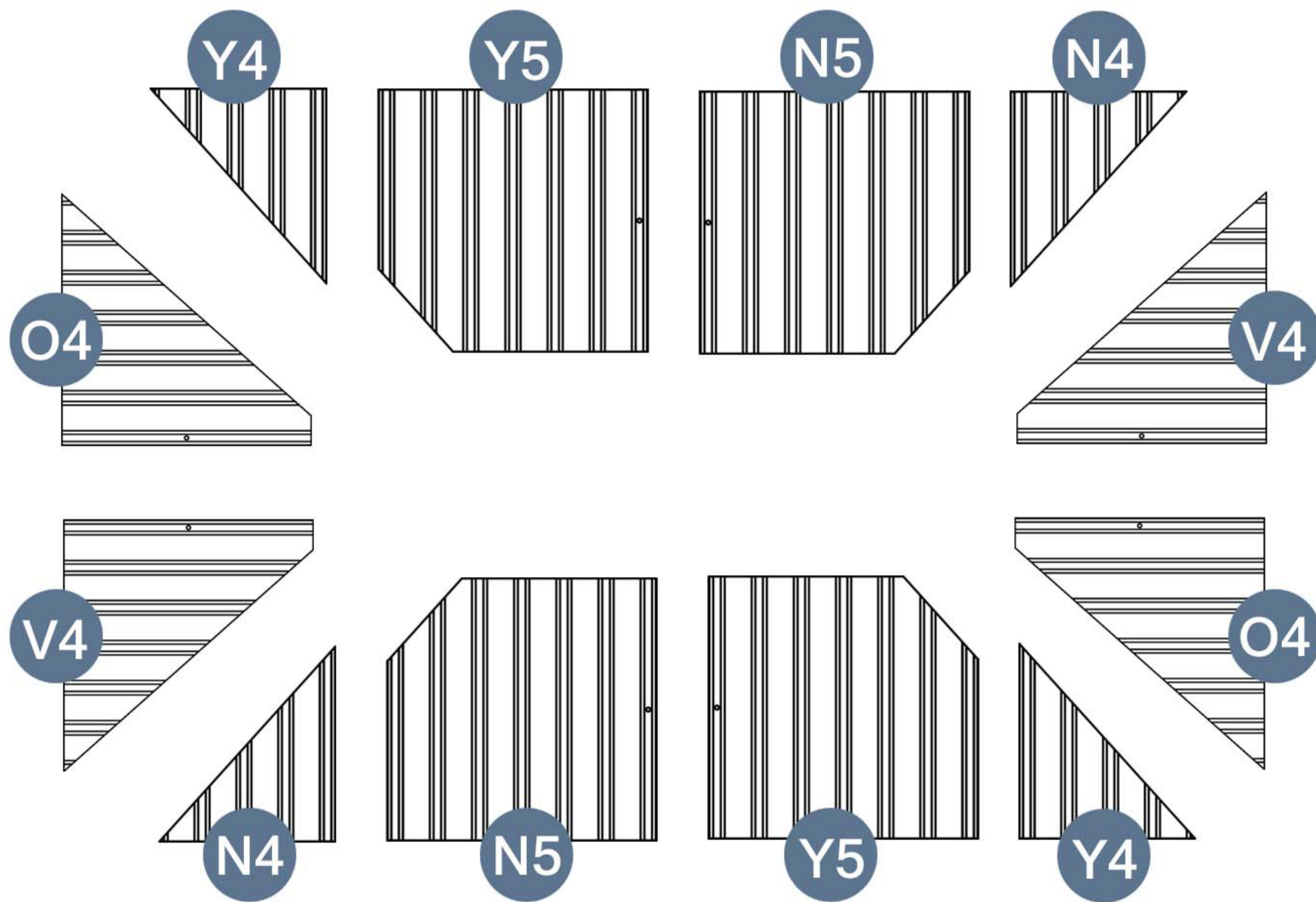
M5 4pcs

O4 2pcs

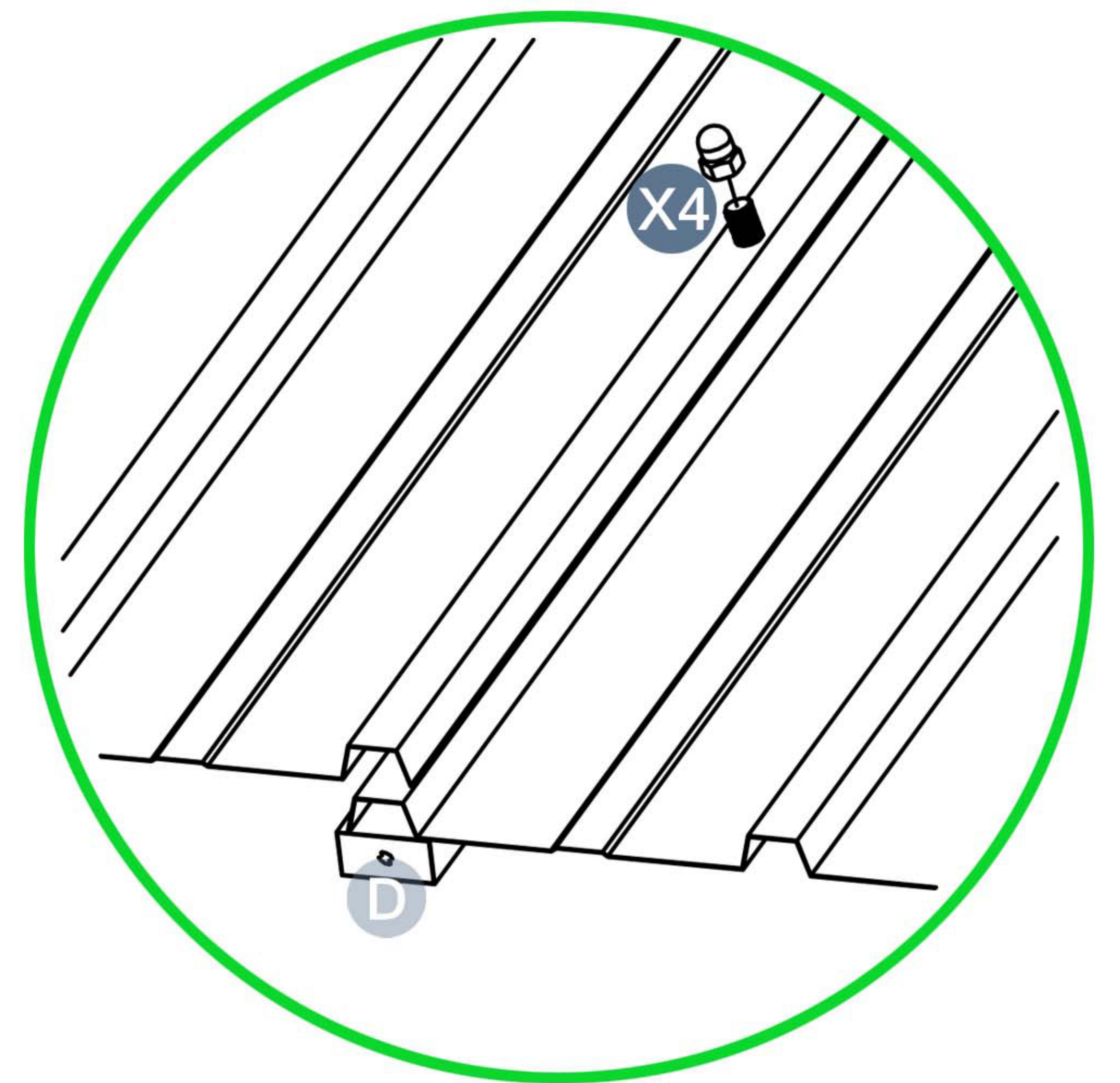
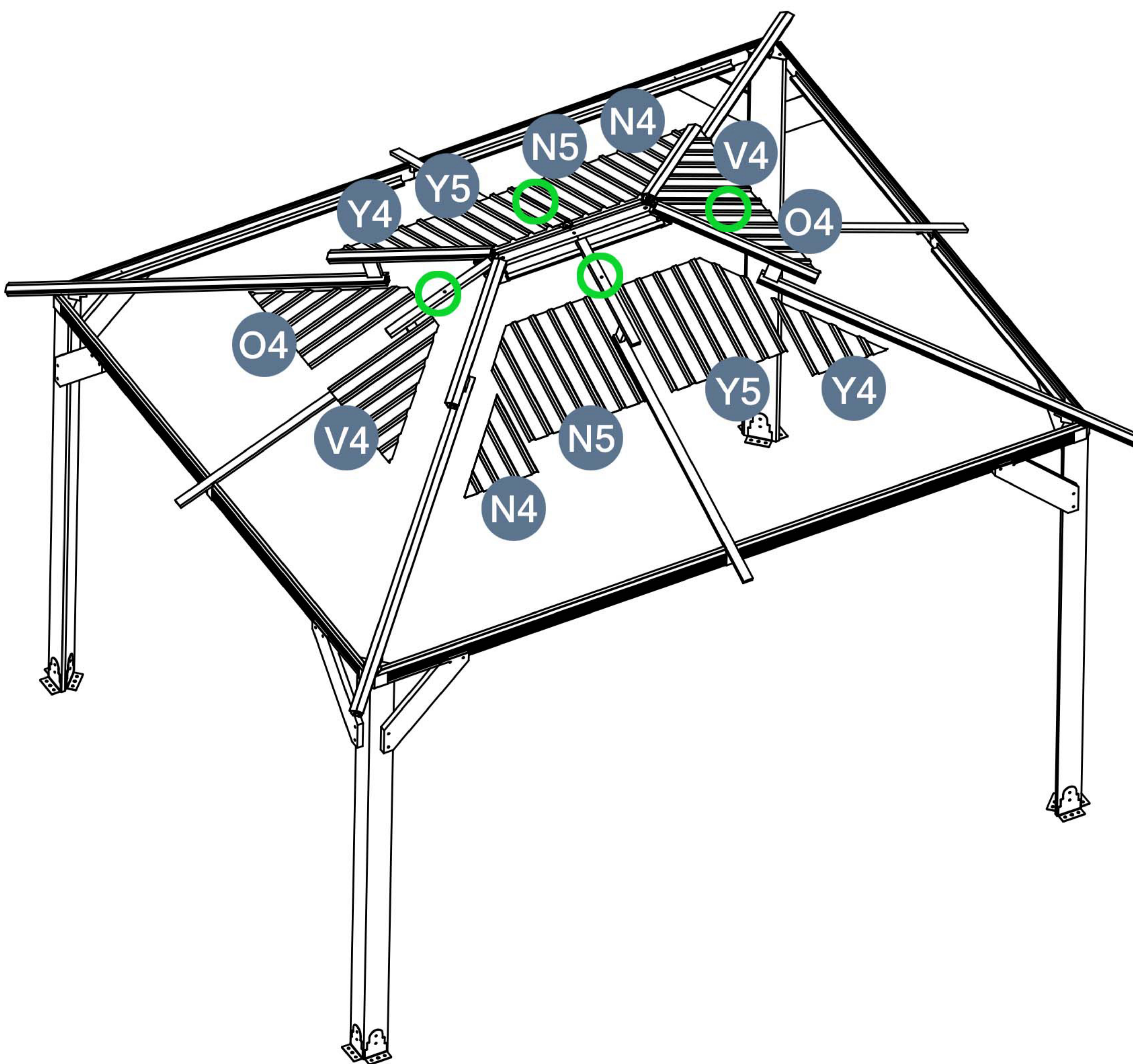
V4 2pcs



In order to facilitate the installation, it is recommended to leave one side and not install it for the time being. Wait for the installation in step 12 to complete before installing.



• Side view

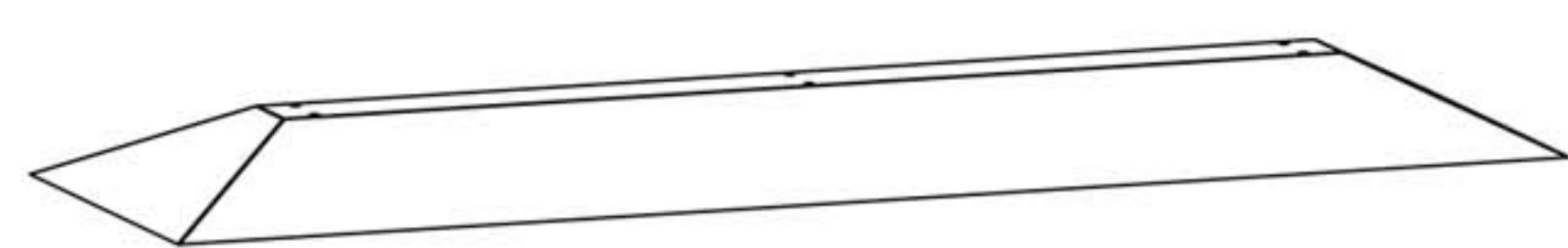


Please take care of the screws and contact the after-sales service if there is any problem with the installation or parts.

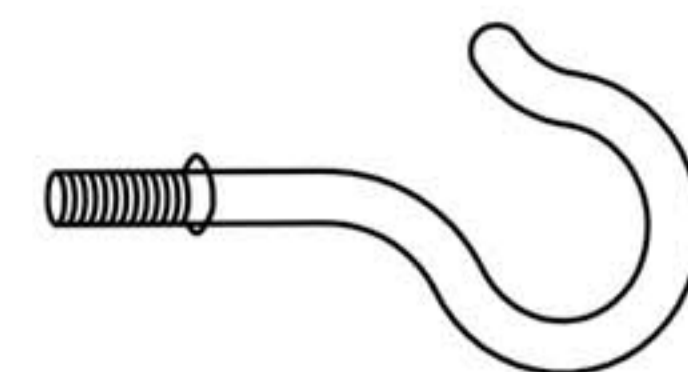
➔ E-mail: [cs.helper01@gmail.com](mailto:cs.helper01@gmail.com)

# STEP 12

Parts required



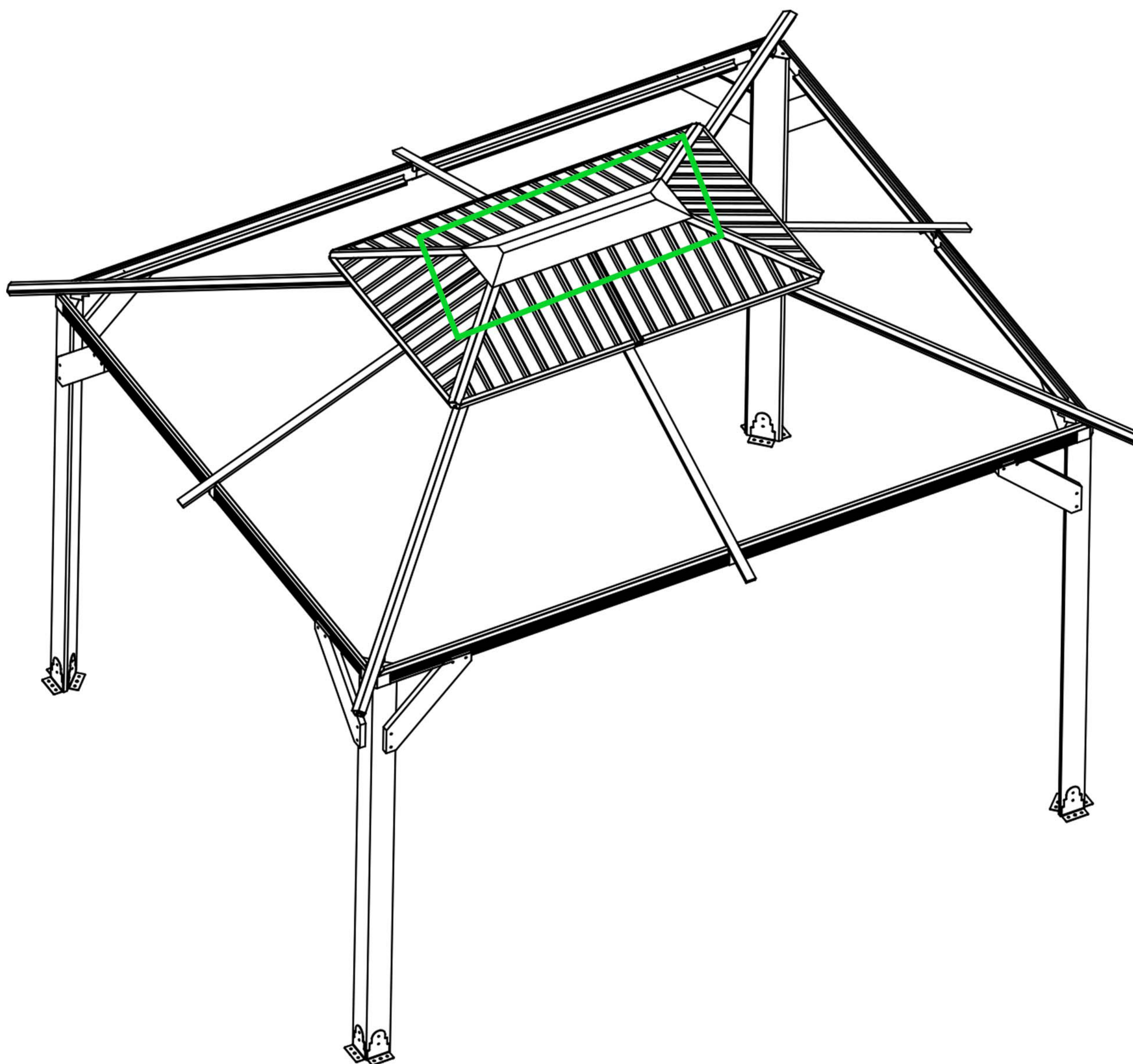
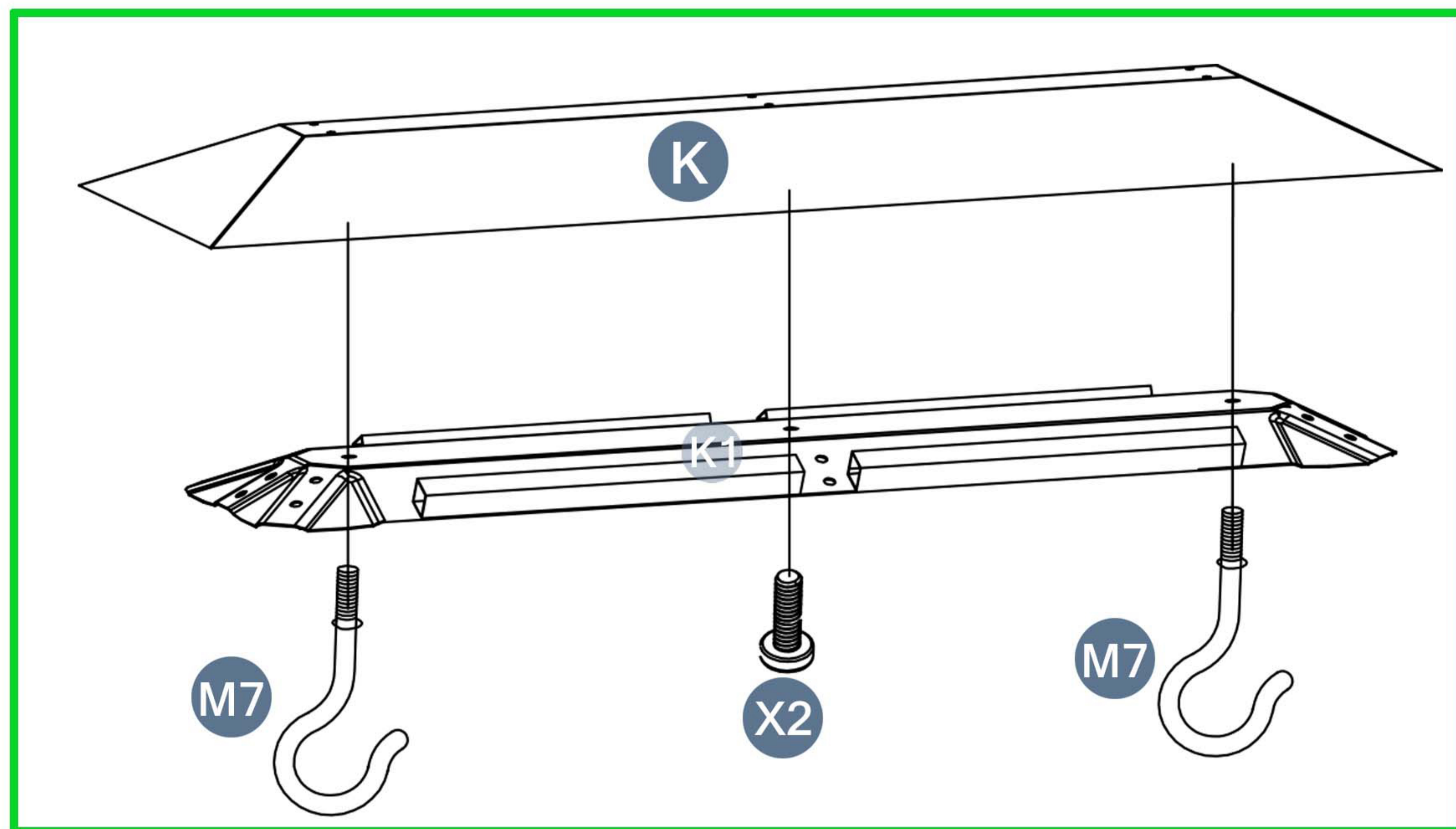
**K** 1pcs



**M7** 2pcs



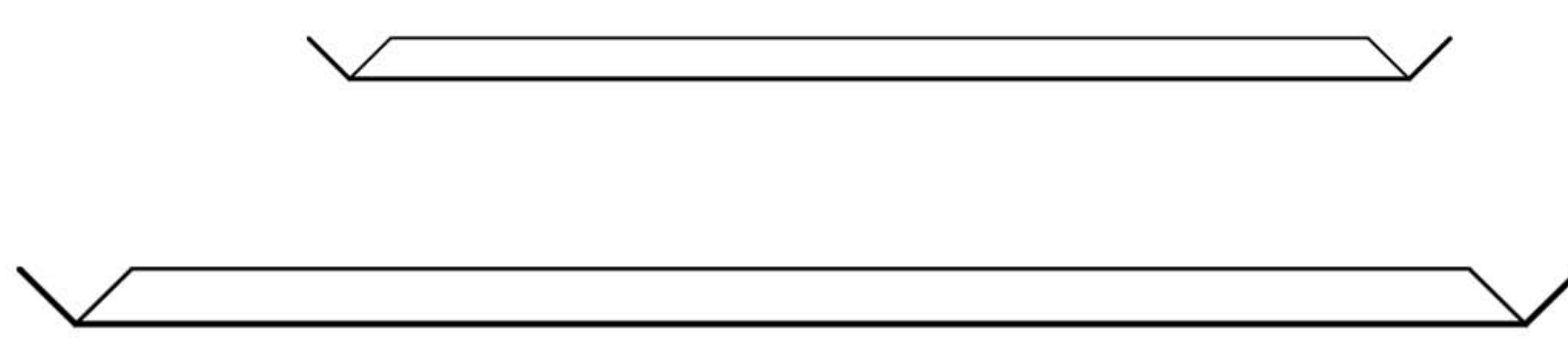
**X2** 1pcs



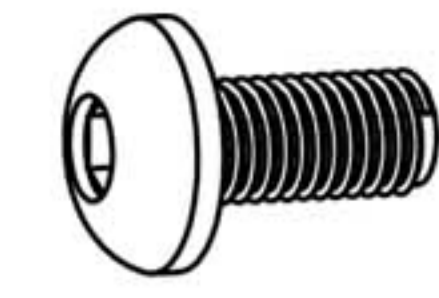
Please take care of the screws and contact the after-sales service if there is any problem with the installation or parts.

# STEP 13

Parts required

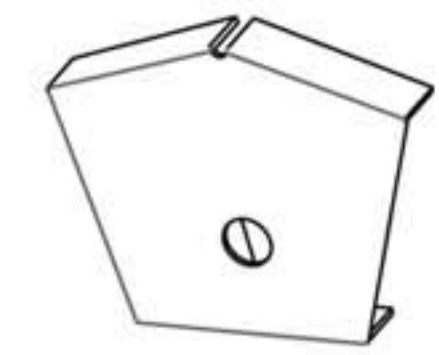


G5 2pcs

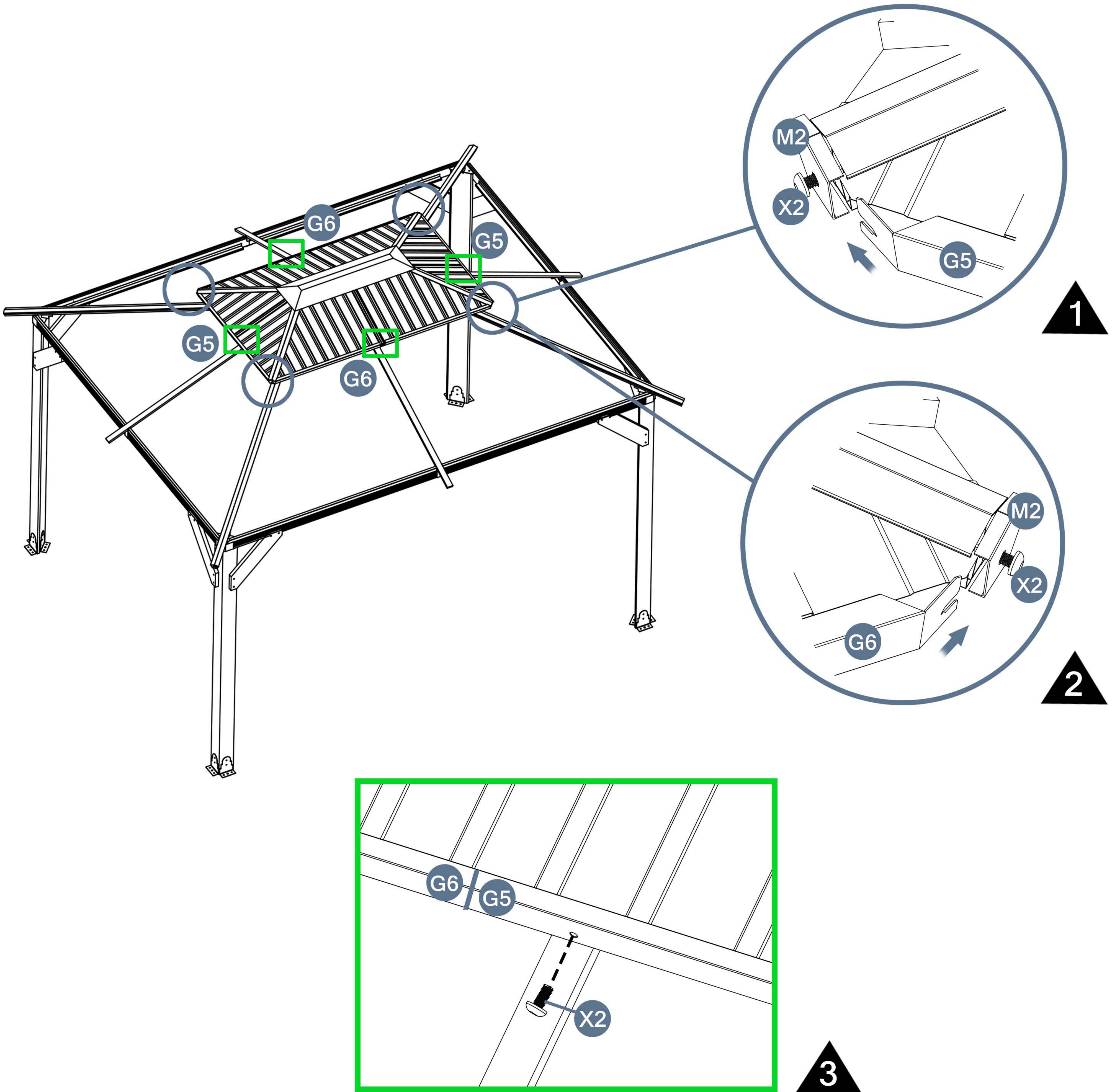


X2 8pcs

G6 2pcs



M2 4pcs

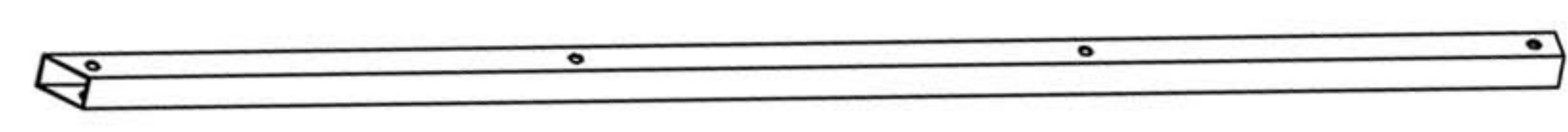


Please take care of the screws and contact the after-sales service if there is any problem with the installation or parts.

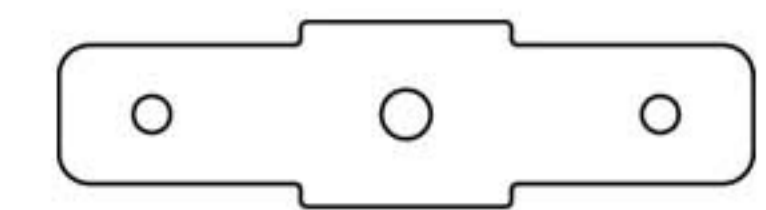
➔ ✉ E-mail: [cs.helper01@gmail.com](mailto:cs.helper01@gmail.com)

# STEP 14

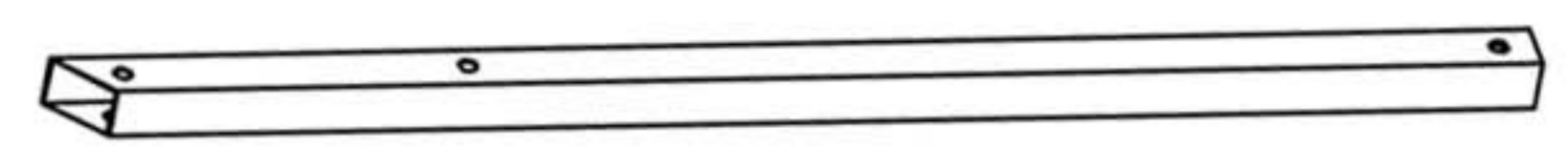
Parts required



H 4pcs



M3 4pcs

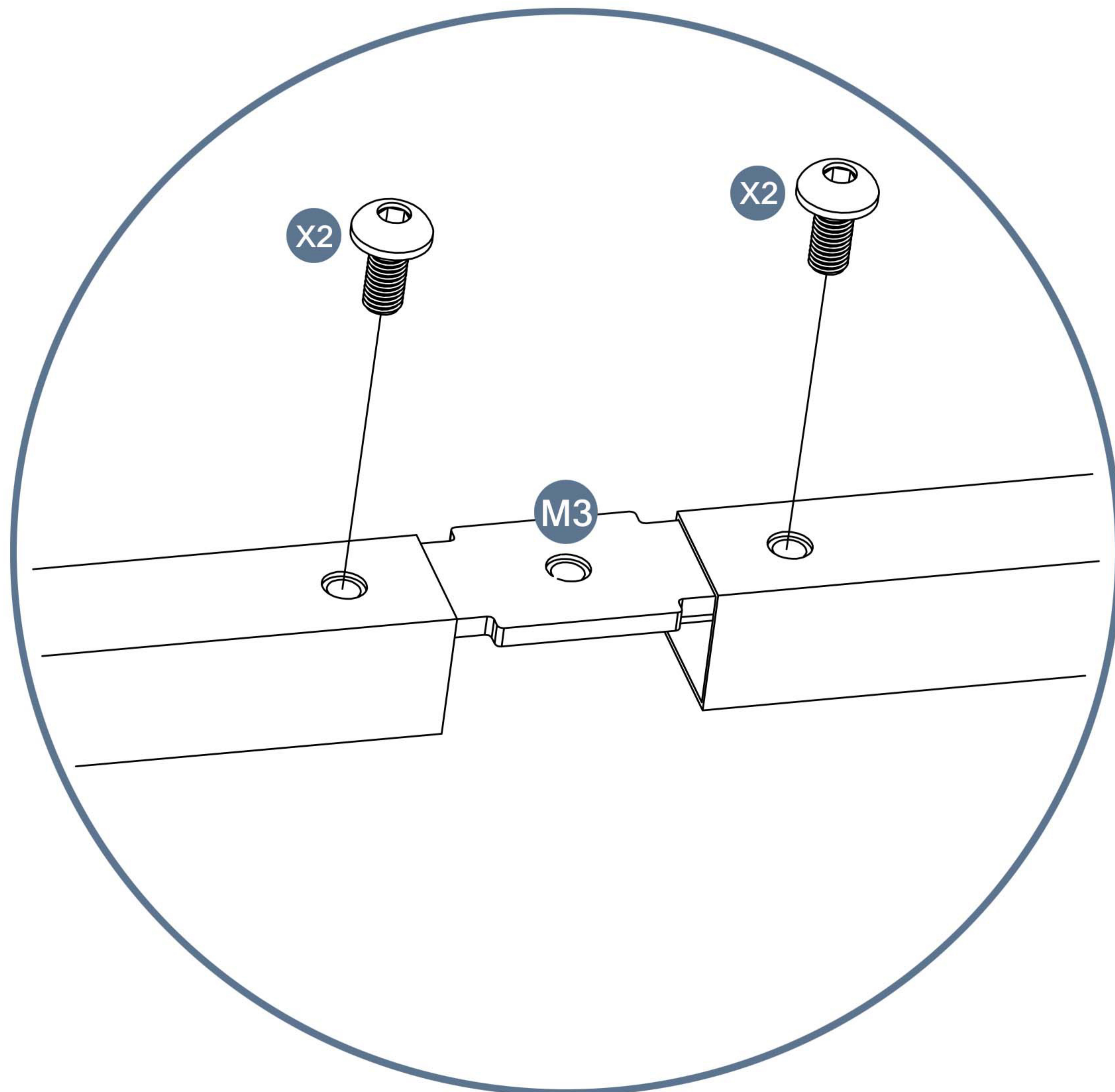
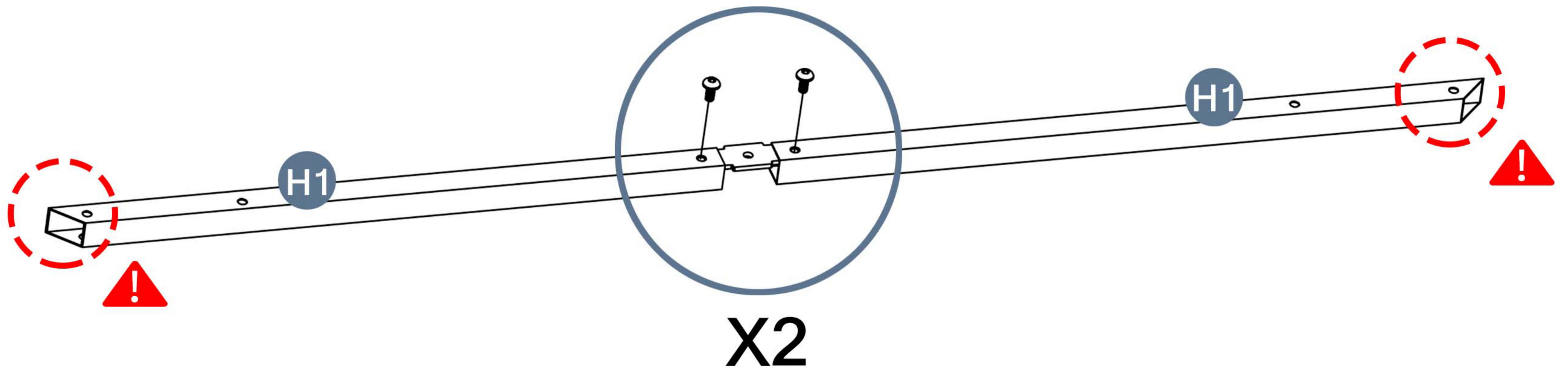
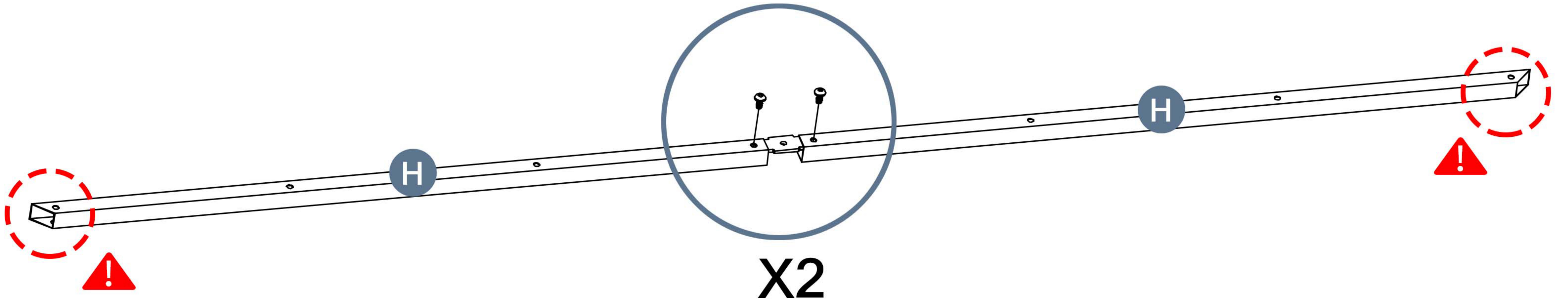


H1 4pcs



X2 8pcs

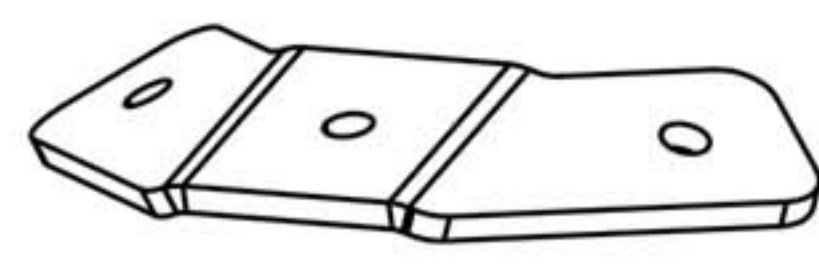
⚠ Part H and H1 should be placed as shown in the picture.



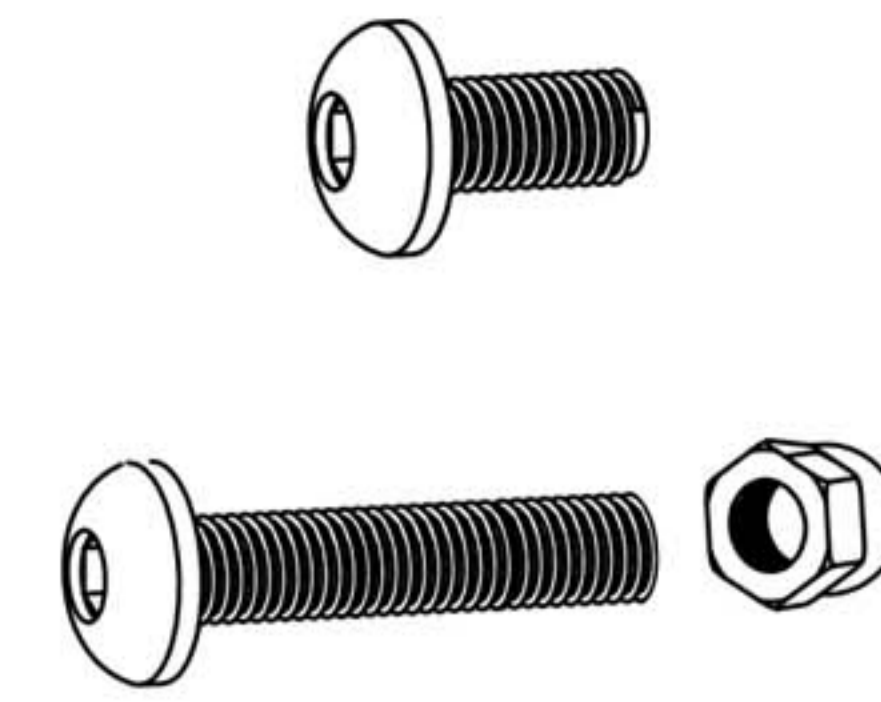
Please take care of the screws and contact the after-sales service if there is any problem with the installation or parts.

# STEP 15

Parts required



M4 4pcs



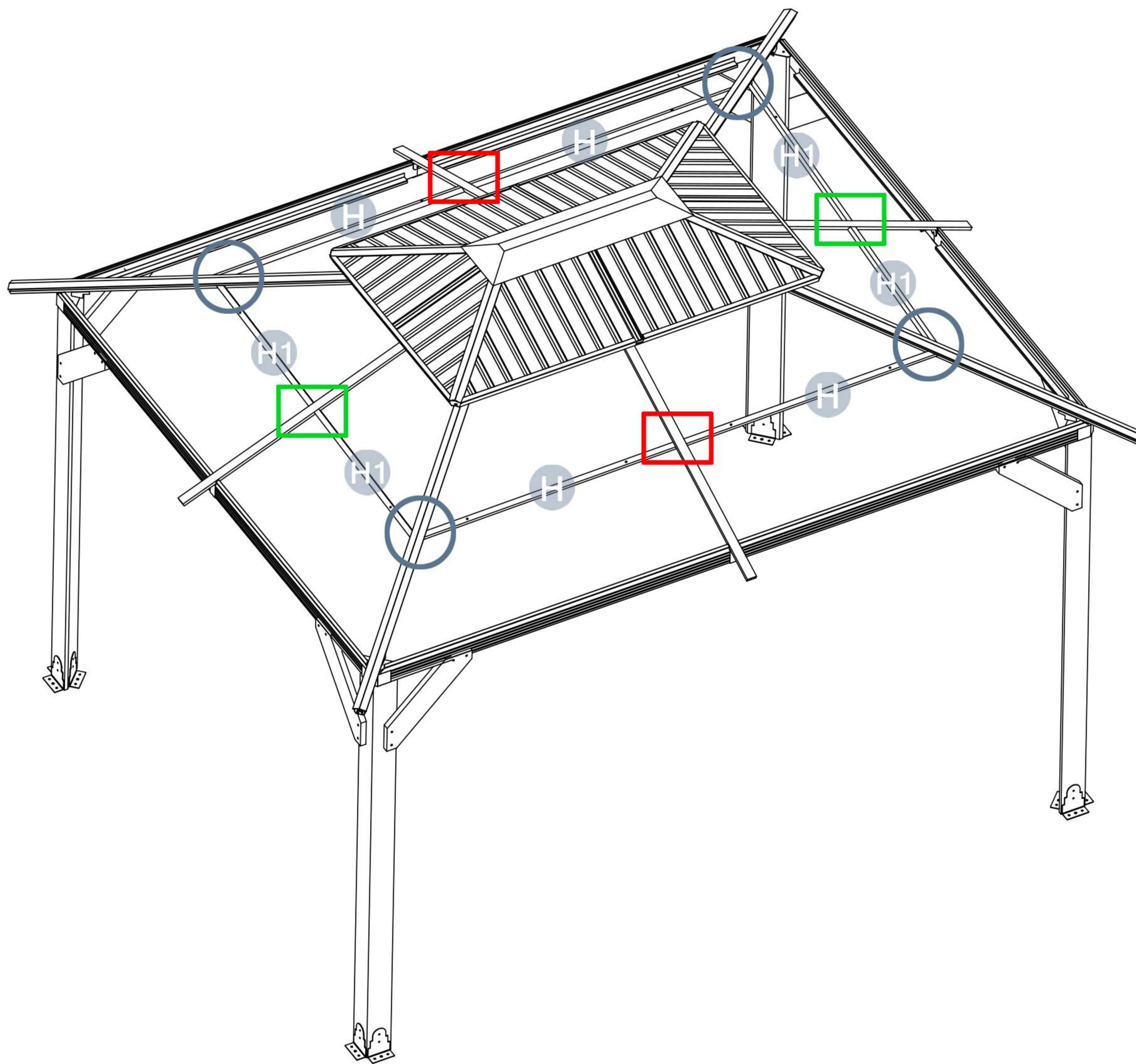
X2 14pcs

X9 2pcs

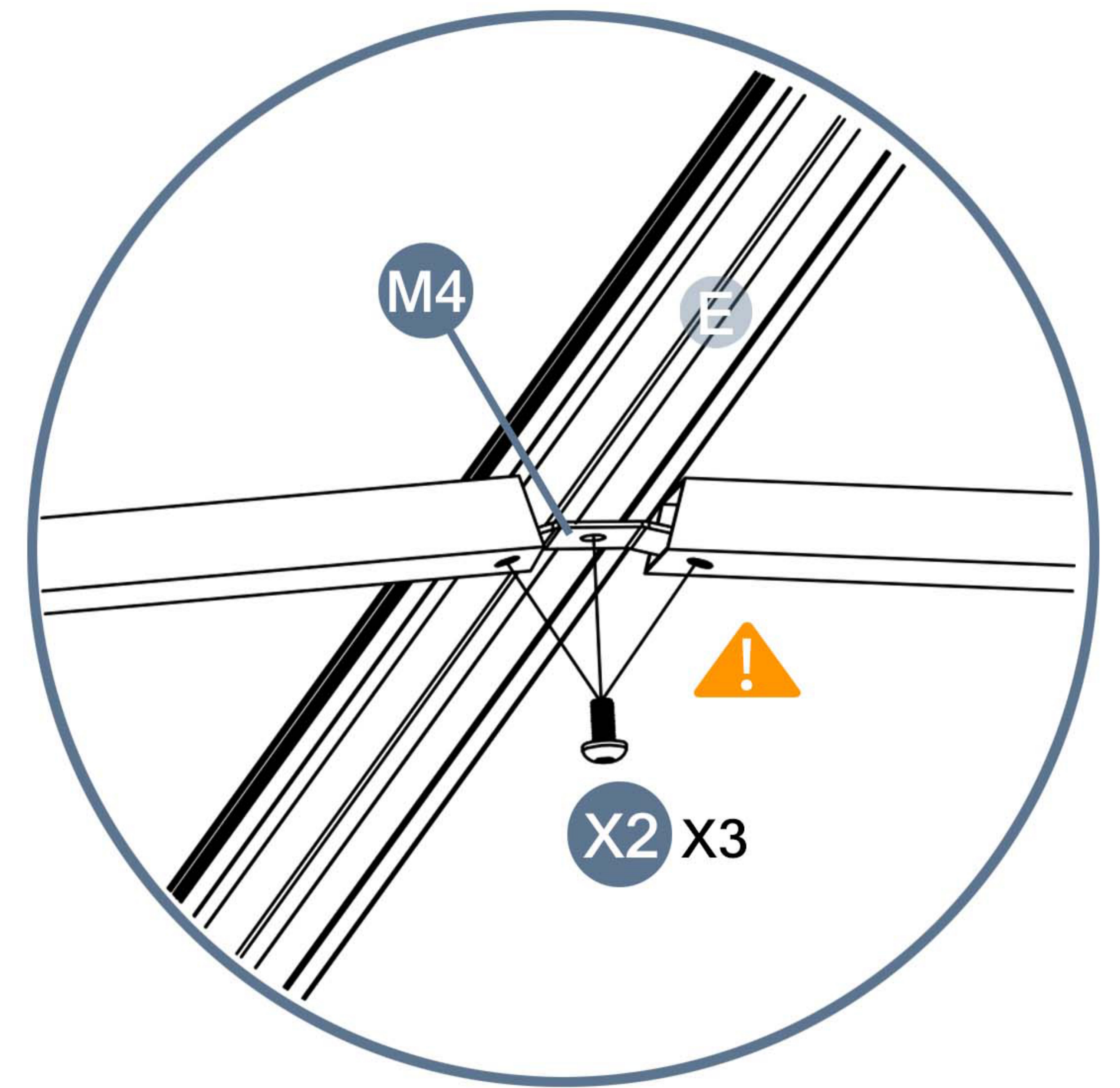


Only X9 screws are used in this step. Please store the X9 nuts. Steps 16 will be used.

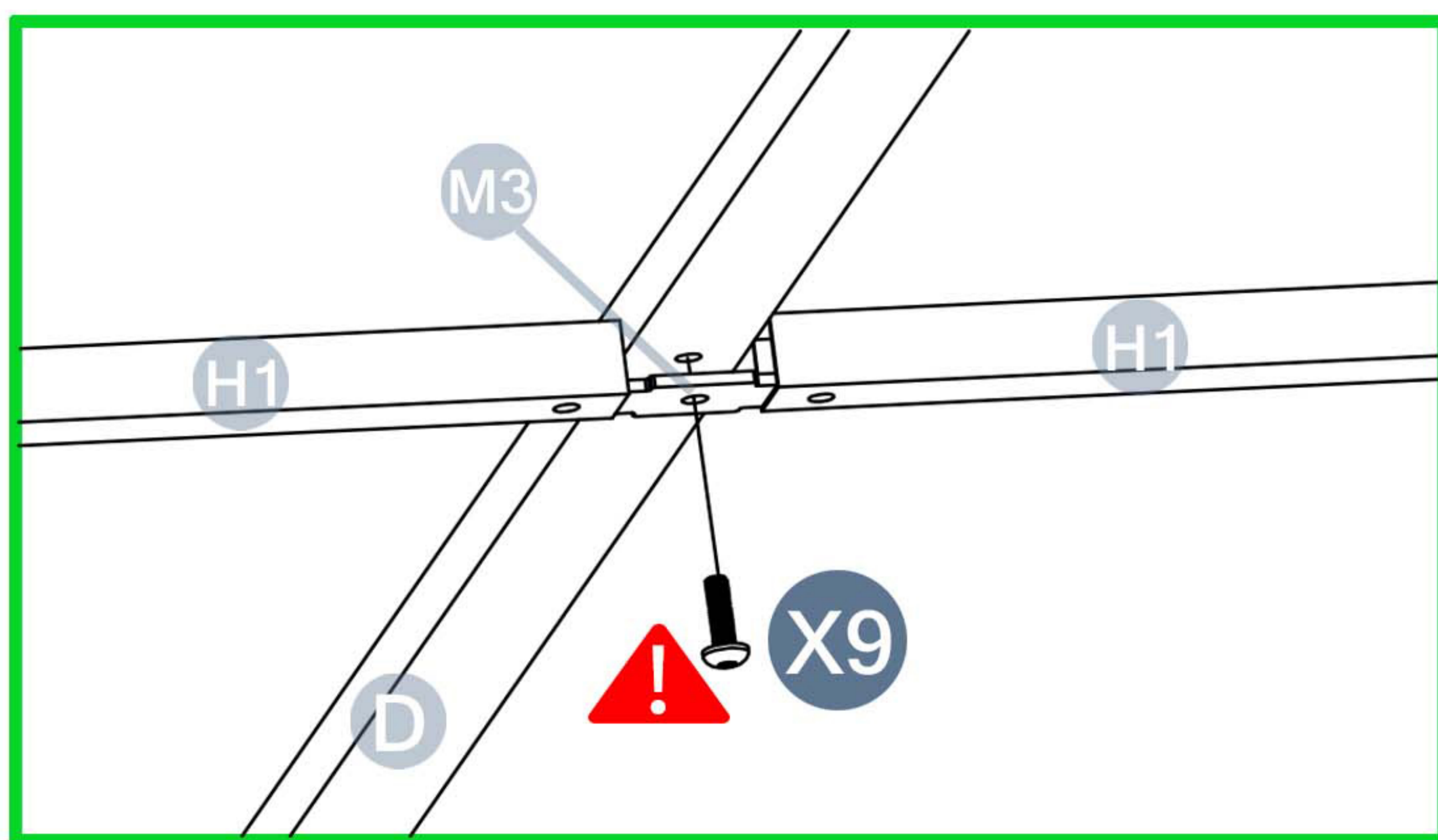
To better align the screws for practical situations, do not fully tighten screws initially.



! M4 needs to be inserted into both tubes, aligned with the holes.

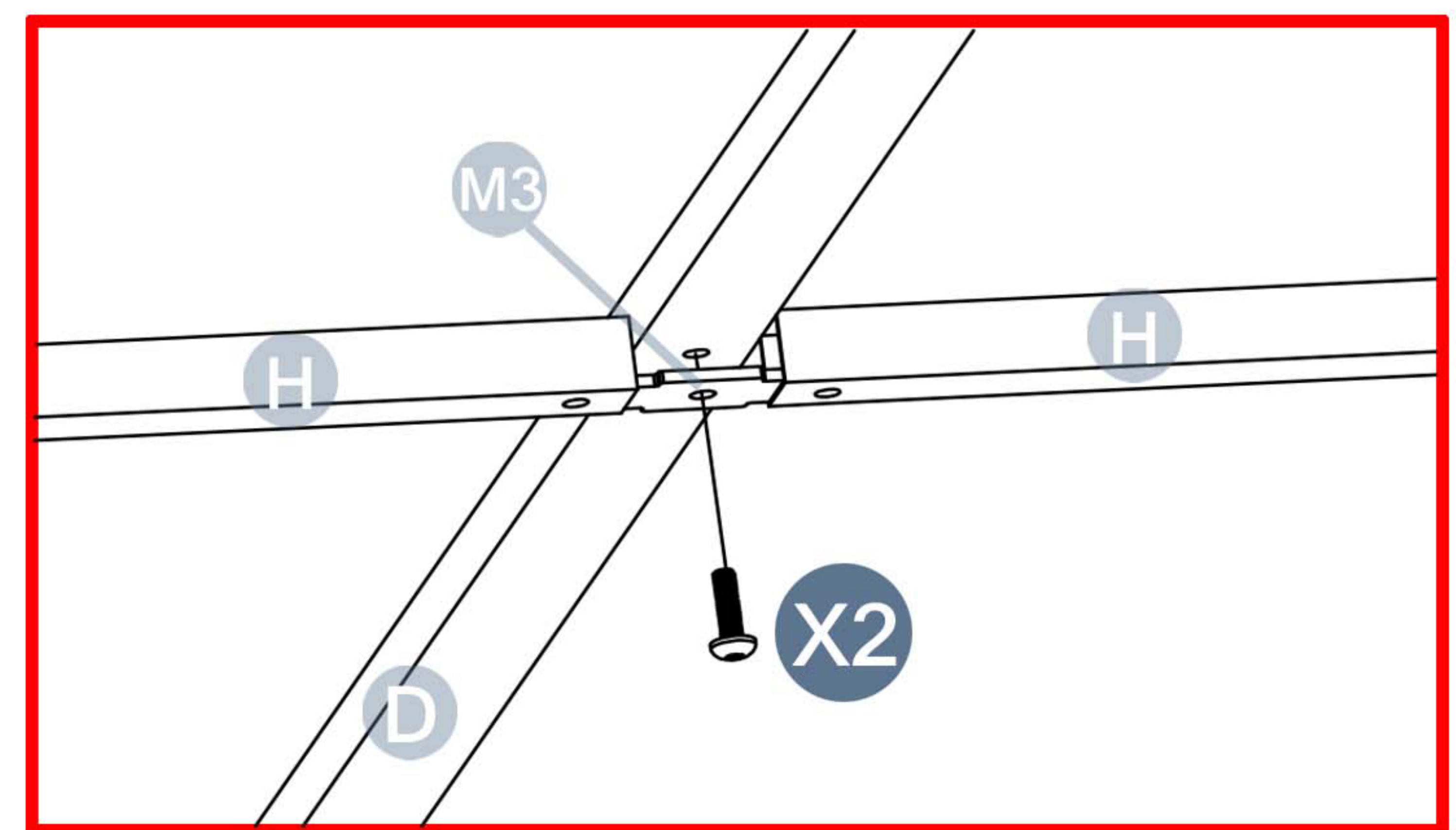


1



2

Pay attention to the difference of screws



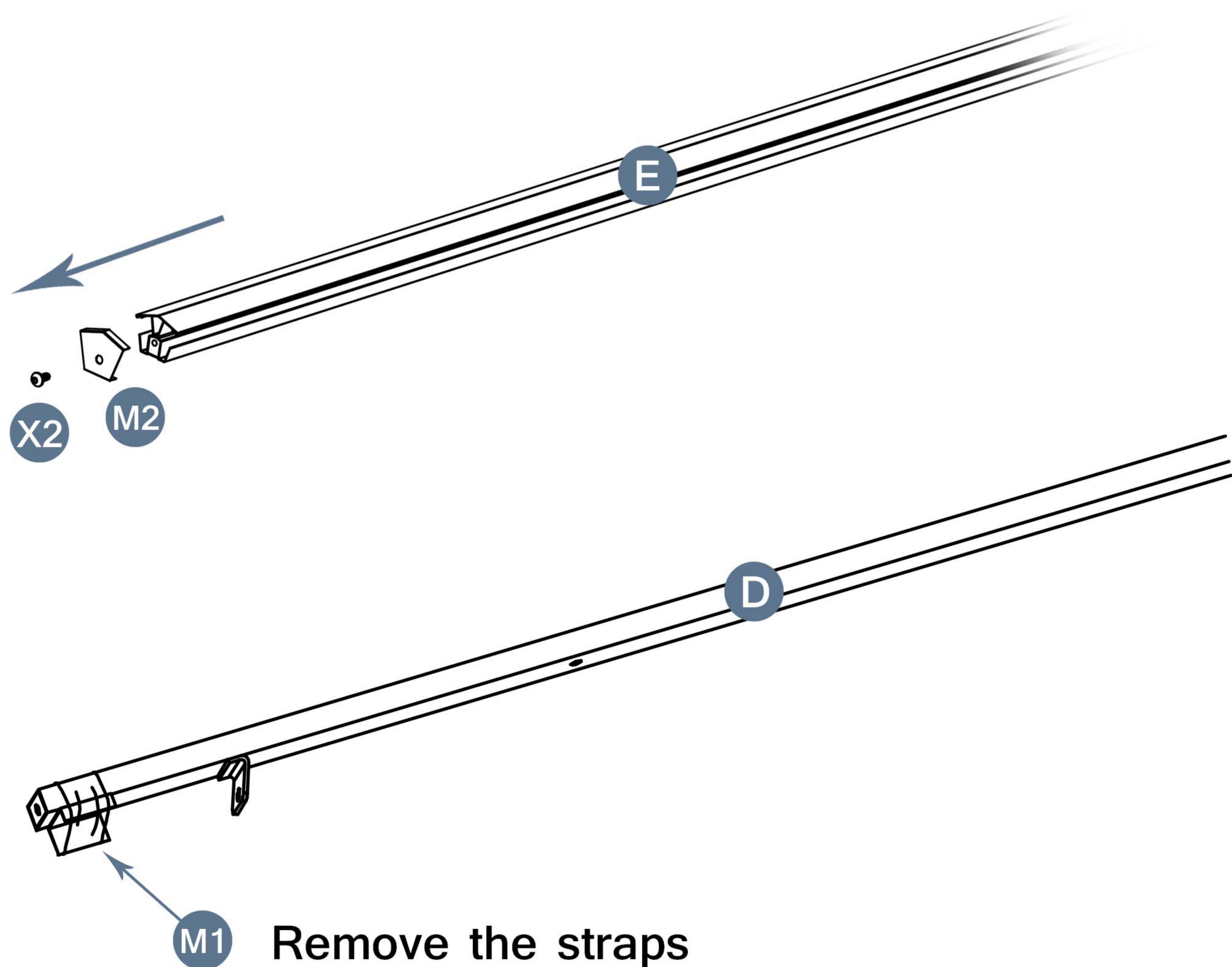
3

Please take care of the screws and contact the after-sales service if there is any problem with the installation or parts.

➔ E-mail: [cs.helper01@gmail.com](mailto:cs.helper01@gmail.com)

To prevent the loss of M2 and M1  
we mounted the M2 and M1 on top of the E and D ahead of time

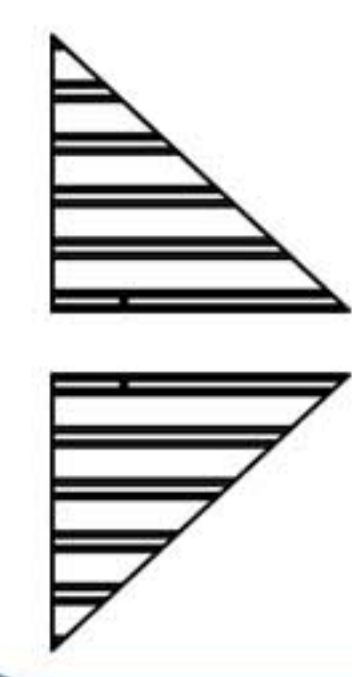
Before installing step 16 /step 17, please remove the 4 M2's  
and 4 M1's from the part E and D. (Reinstall them during step 18) .



Please take care of the screws and contact the after-sales service if there is any problem with the installation or parts.

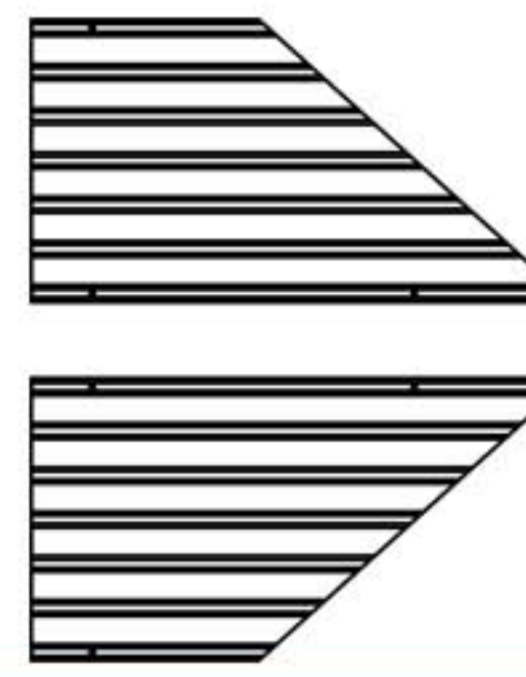
# STEP 16

Parts required



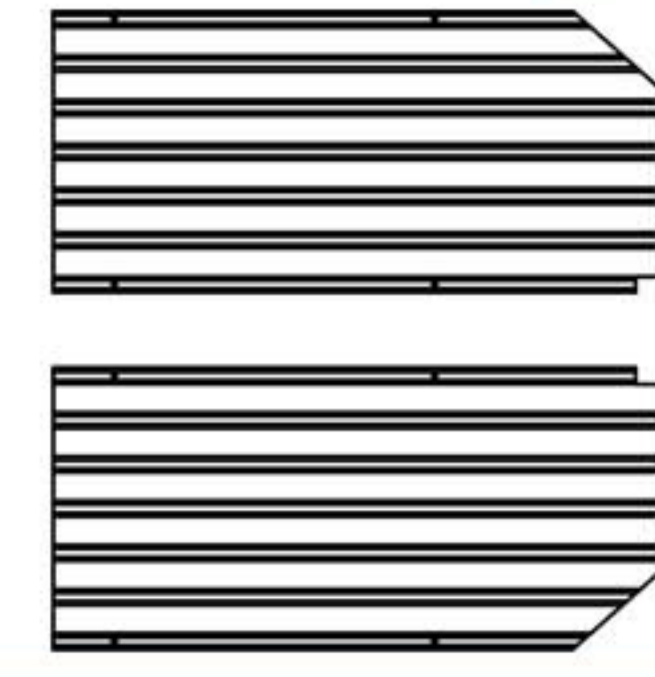
O1 2pcs

V1 2pcs



O2 2pcs

V2 2pcs



O3 2pcs

V3 2pcs



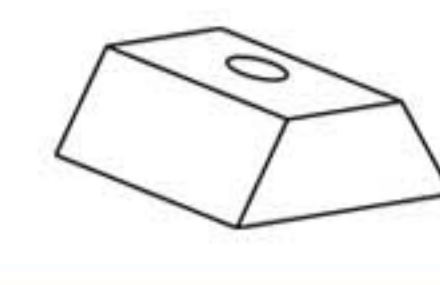
X9 4pcs



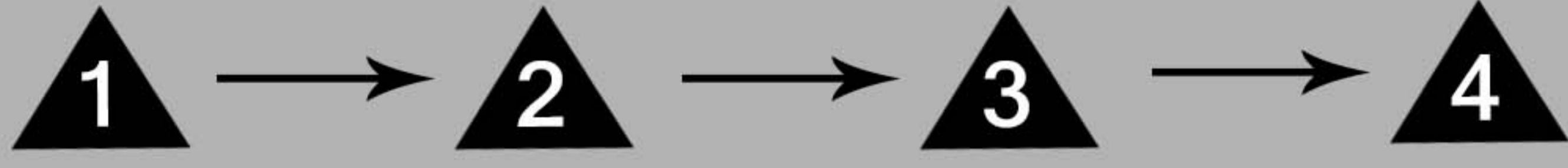
X6 8pcs



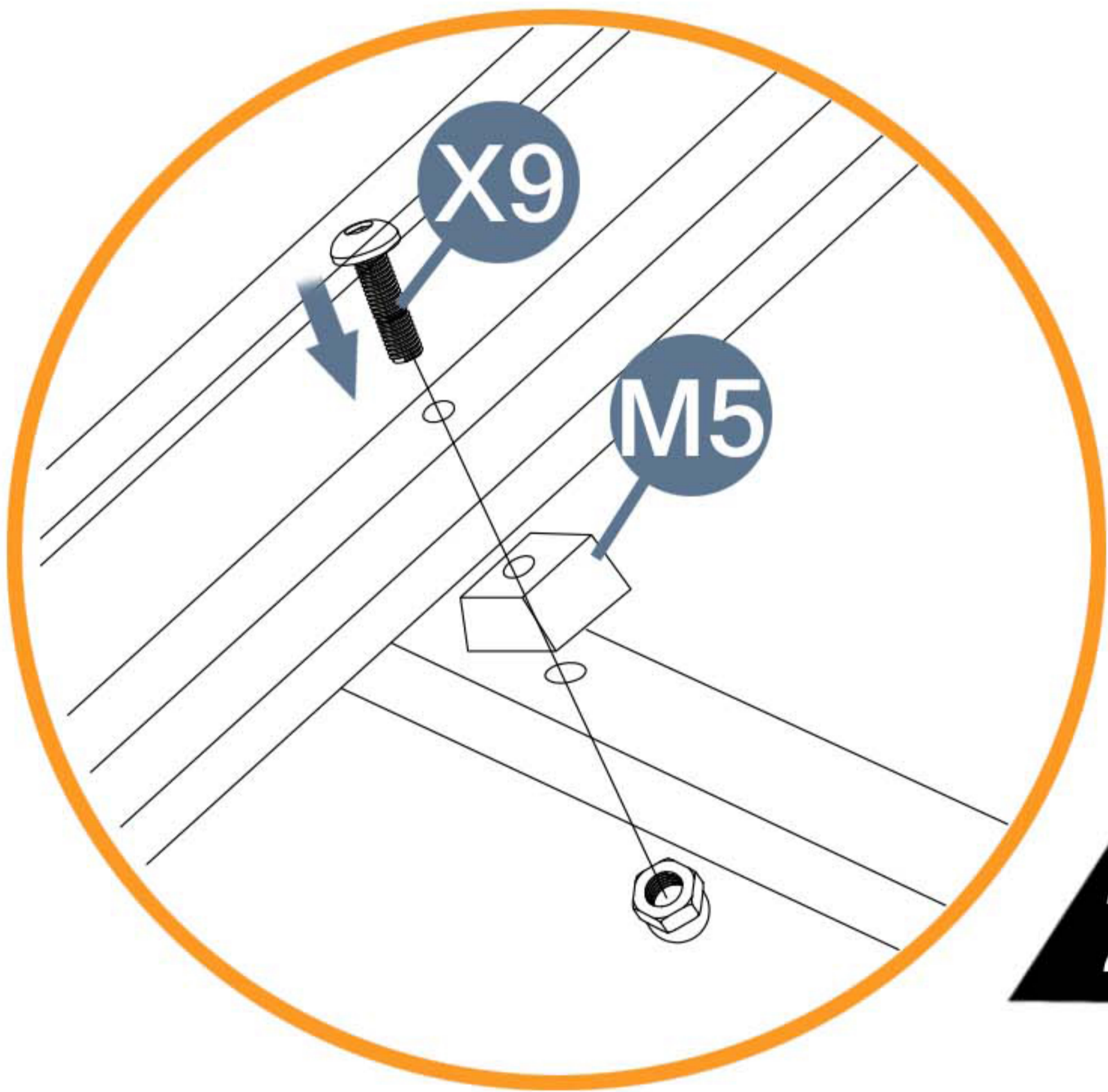
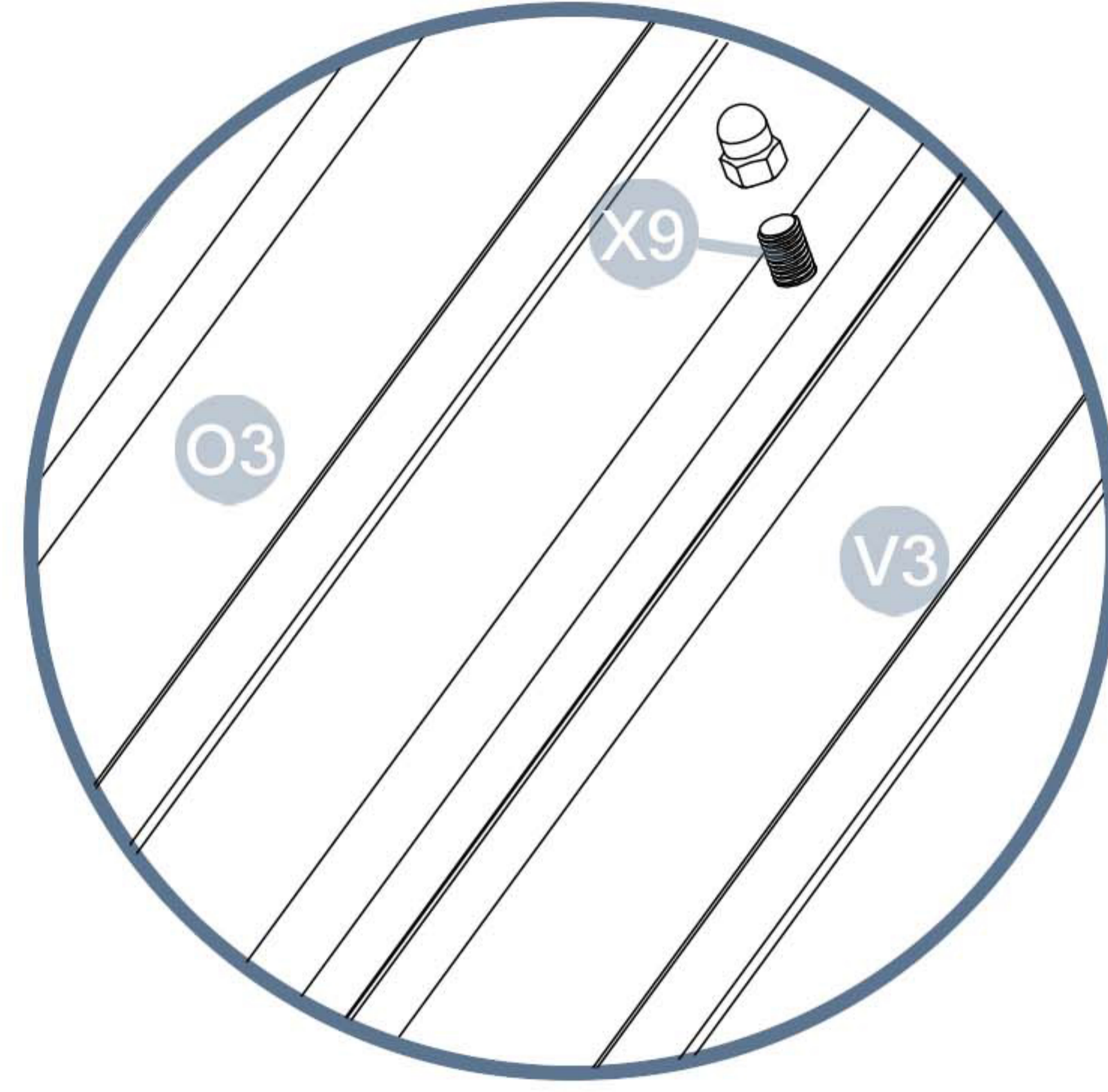
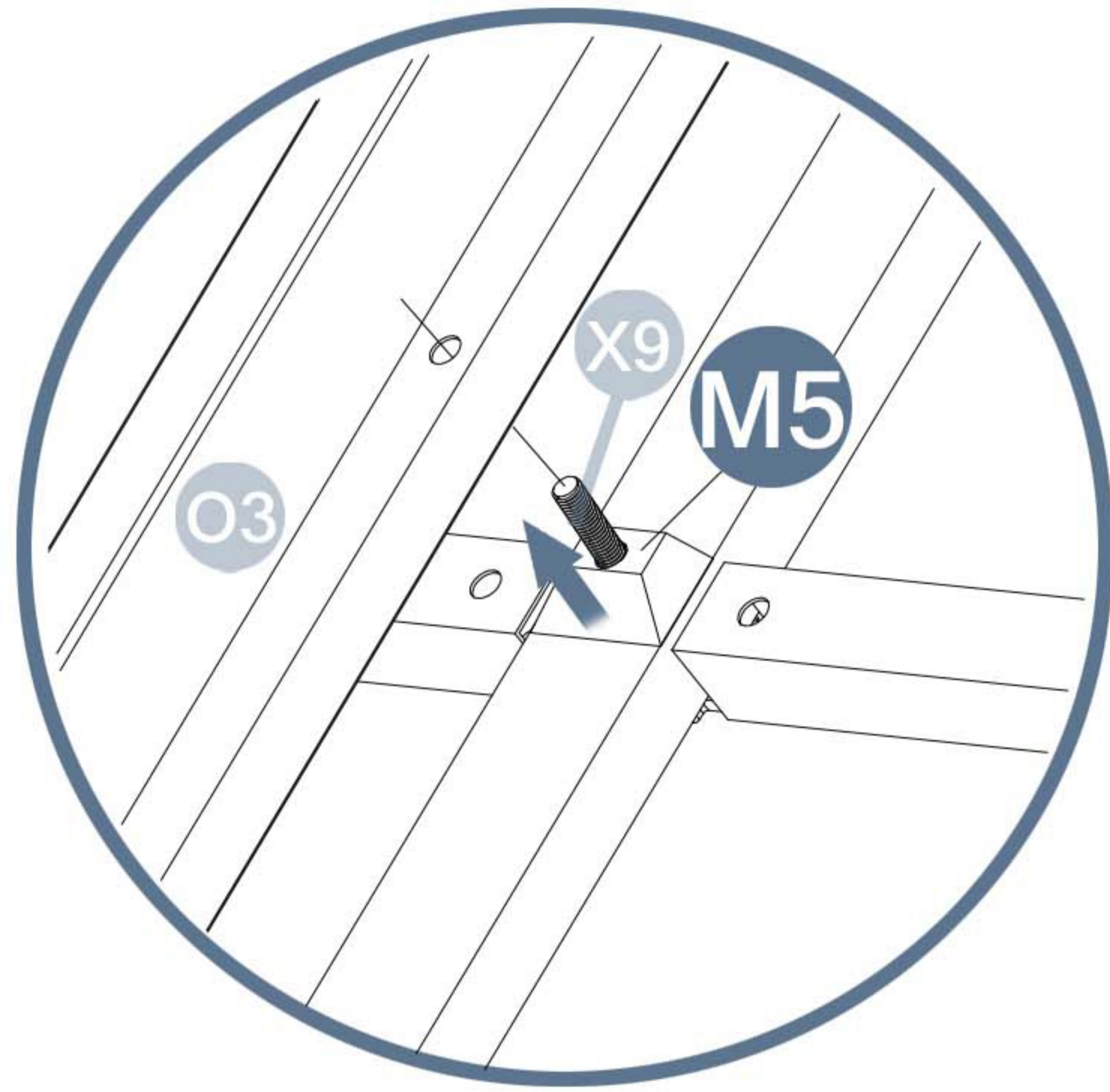
X3 2pcs



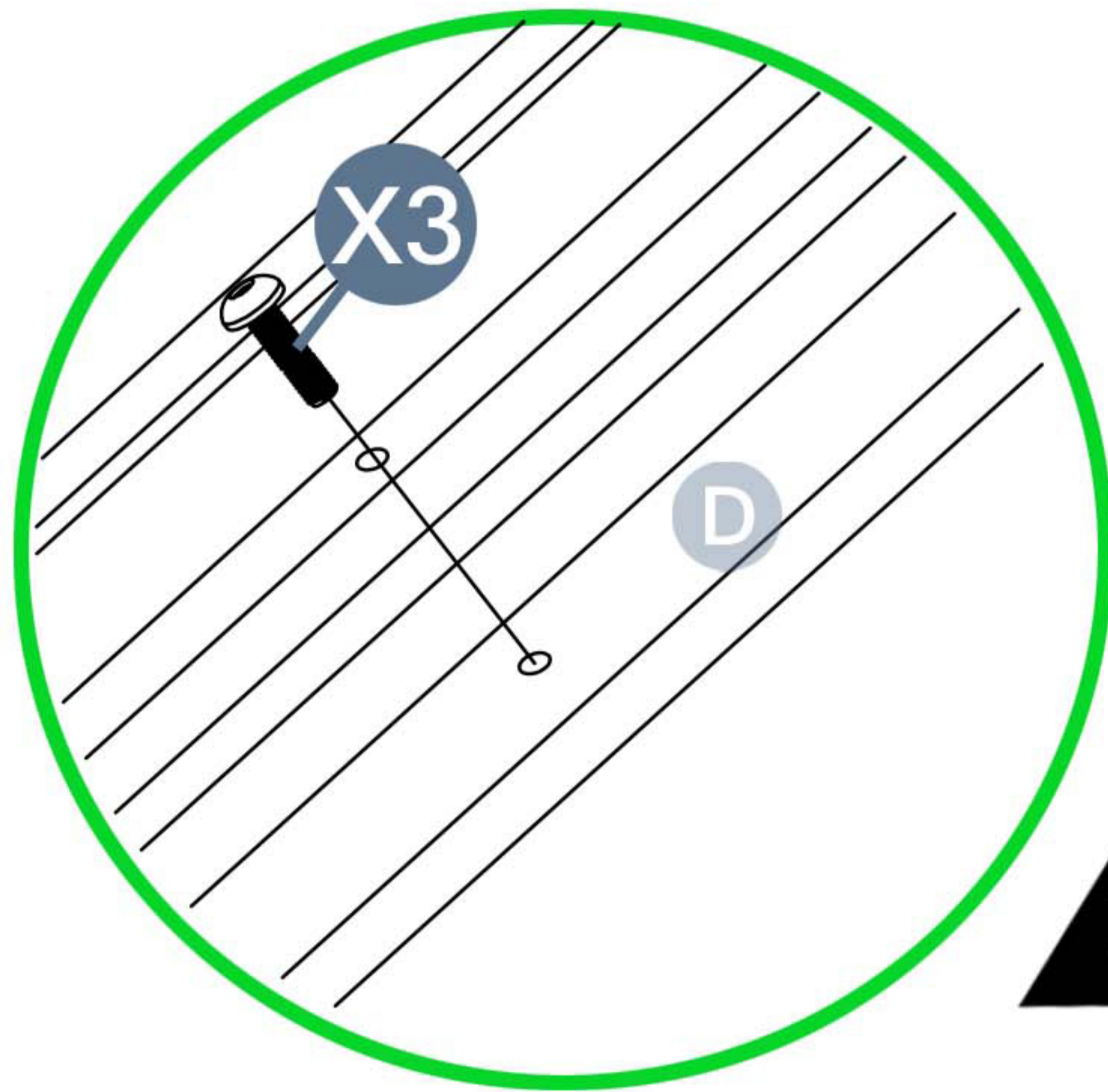
M5 14pcs



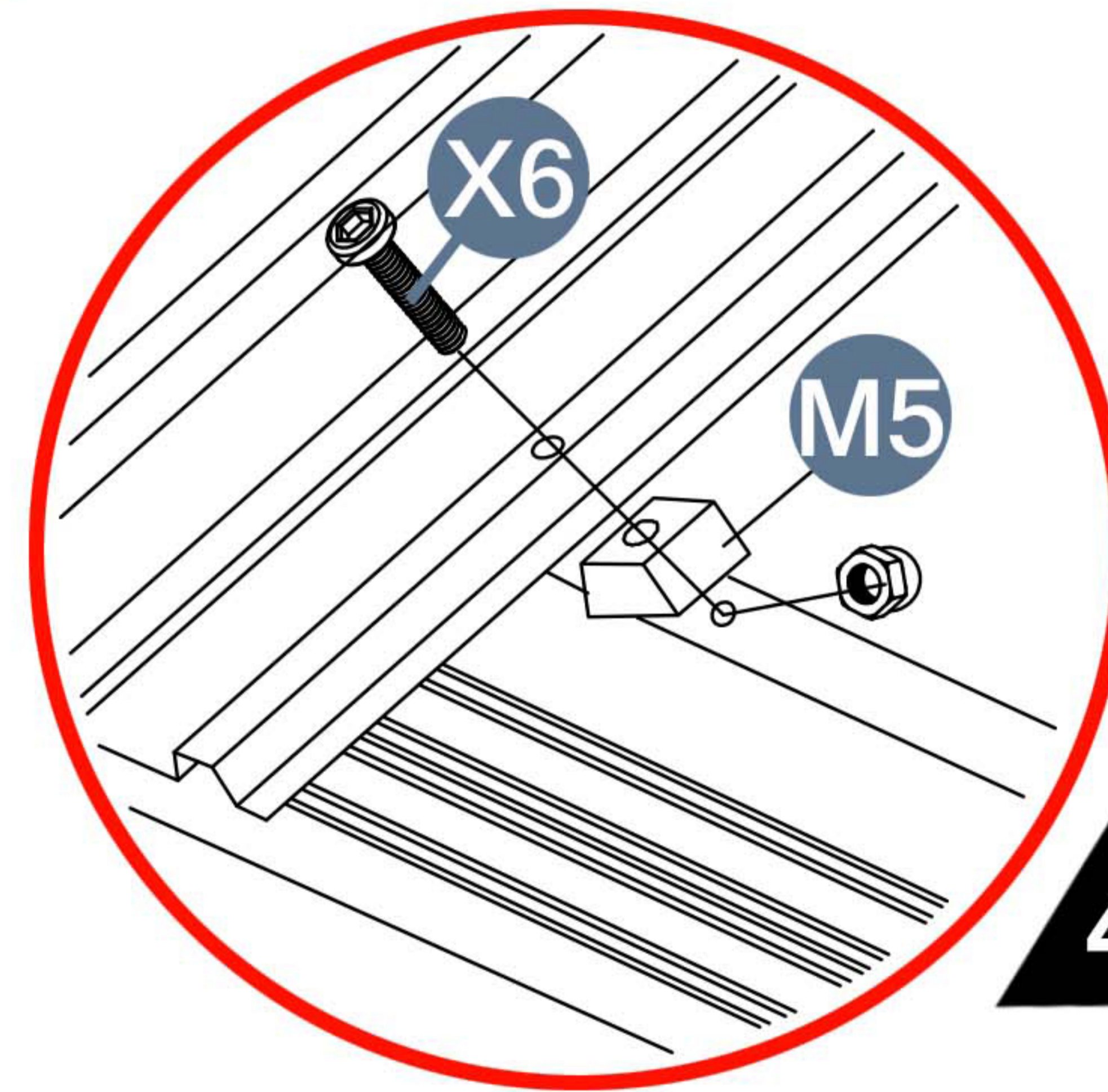
Pay attention to the direction of screw installation



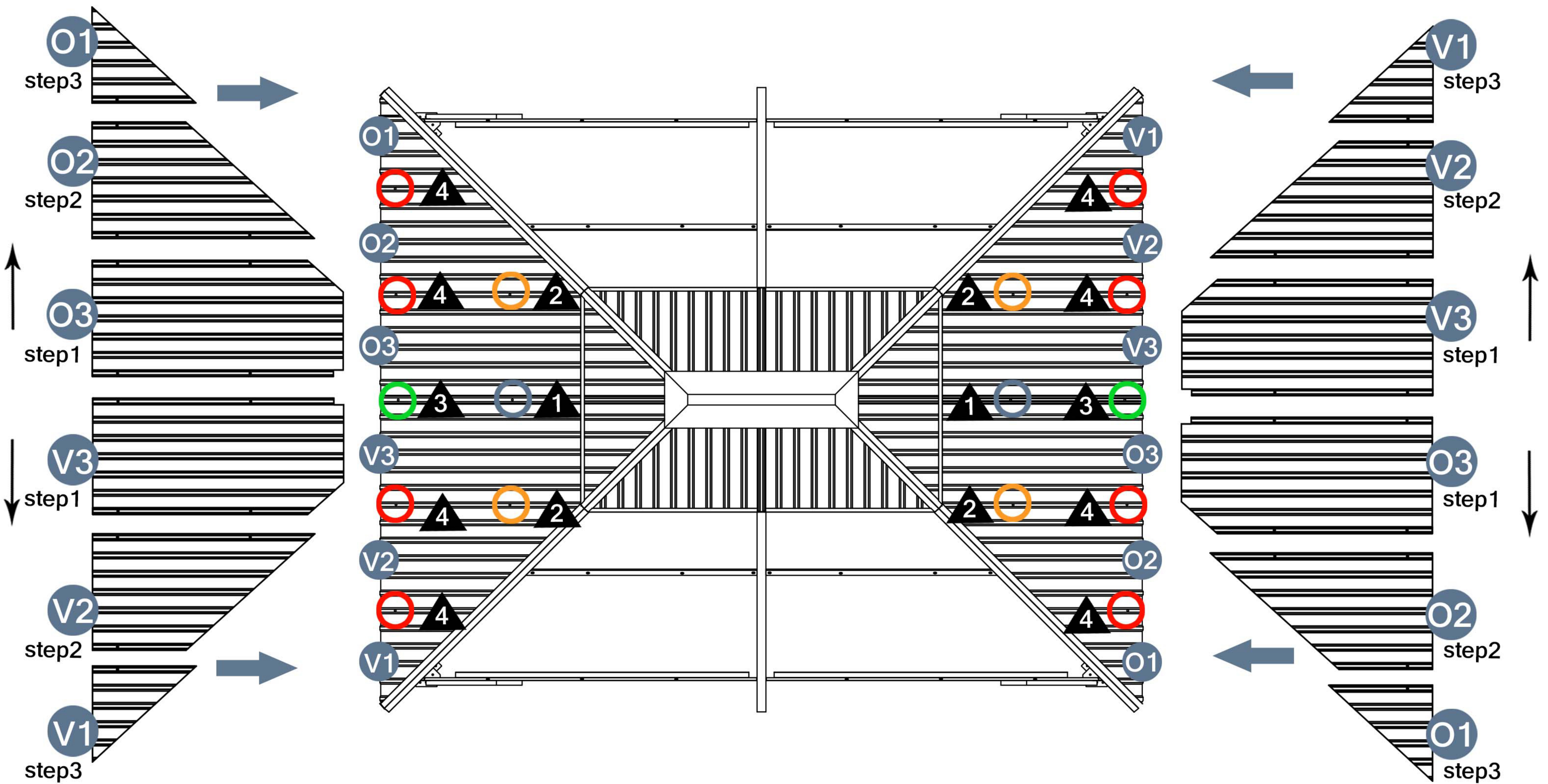
2



3



4

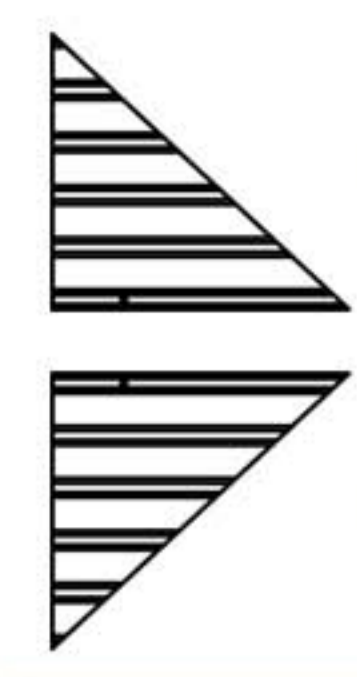


Please take care of the screws and contact the after-sales service if there is any problem with the installation or parts.

➔ E-mail: [cs.helper01@gmail.com](mailto:cs.helper01@gmail.com)

# STEP 17

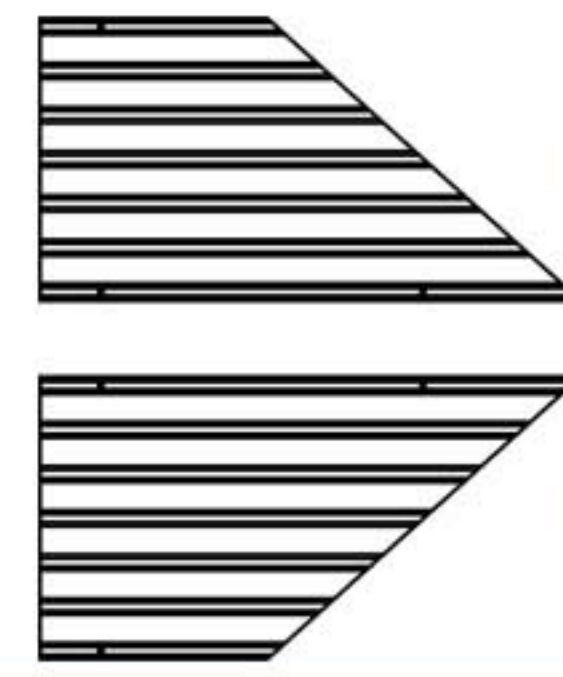
Parts required



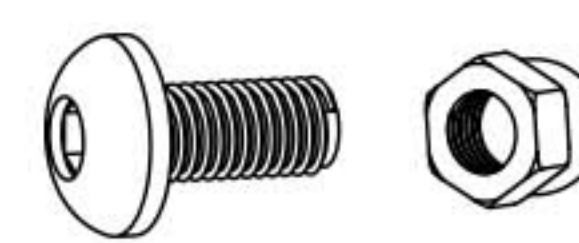
N1 2pcs  
Y1 2pcs



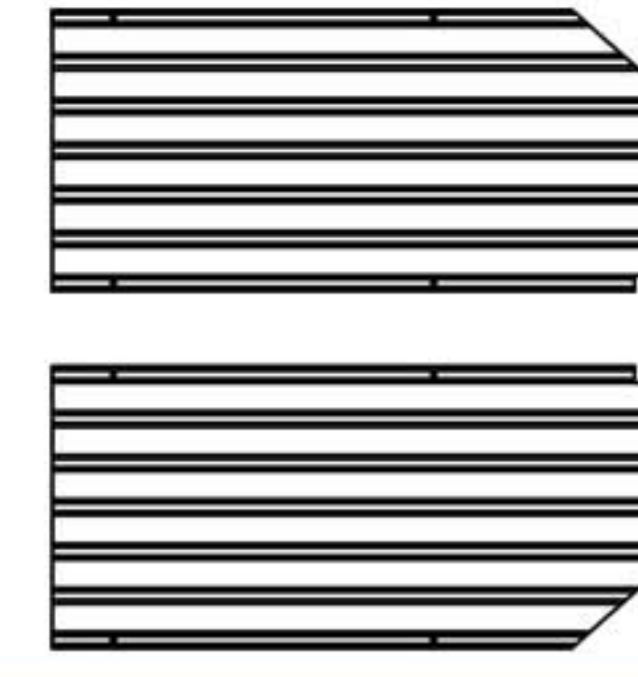
X9 8pcs



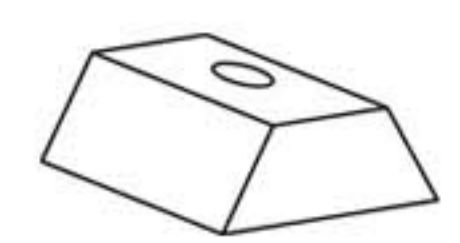
N2 2pcs  
Y2 2pcs



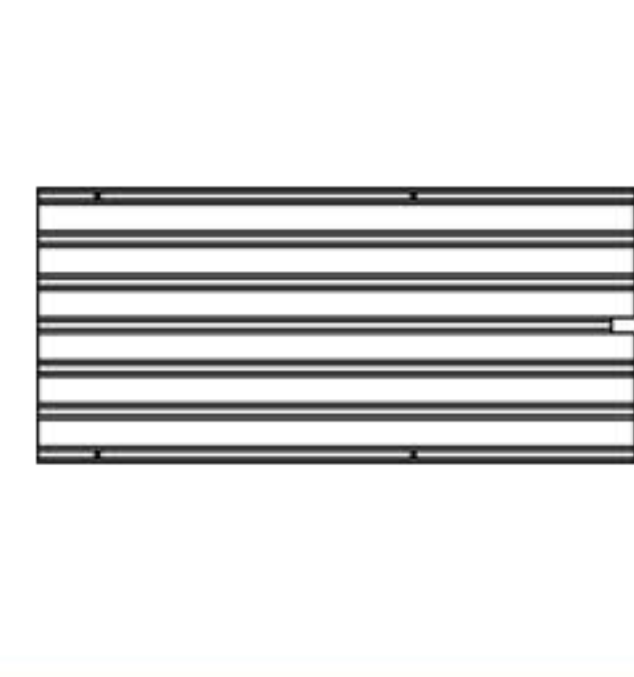
X6 12pcs



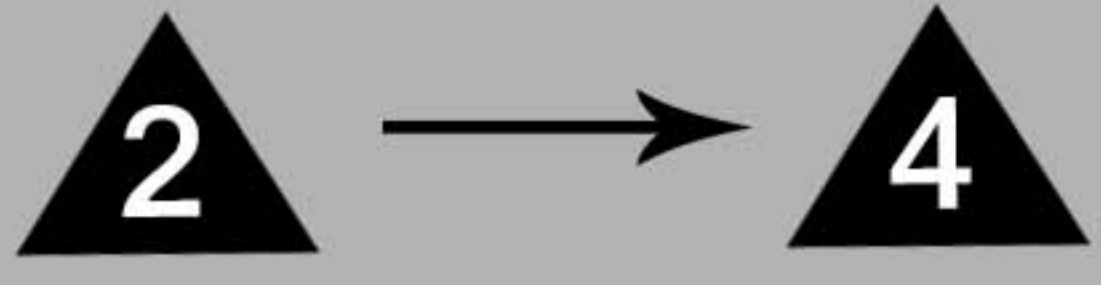
N3 2pcs  
Y3 2pcs



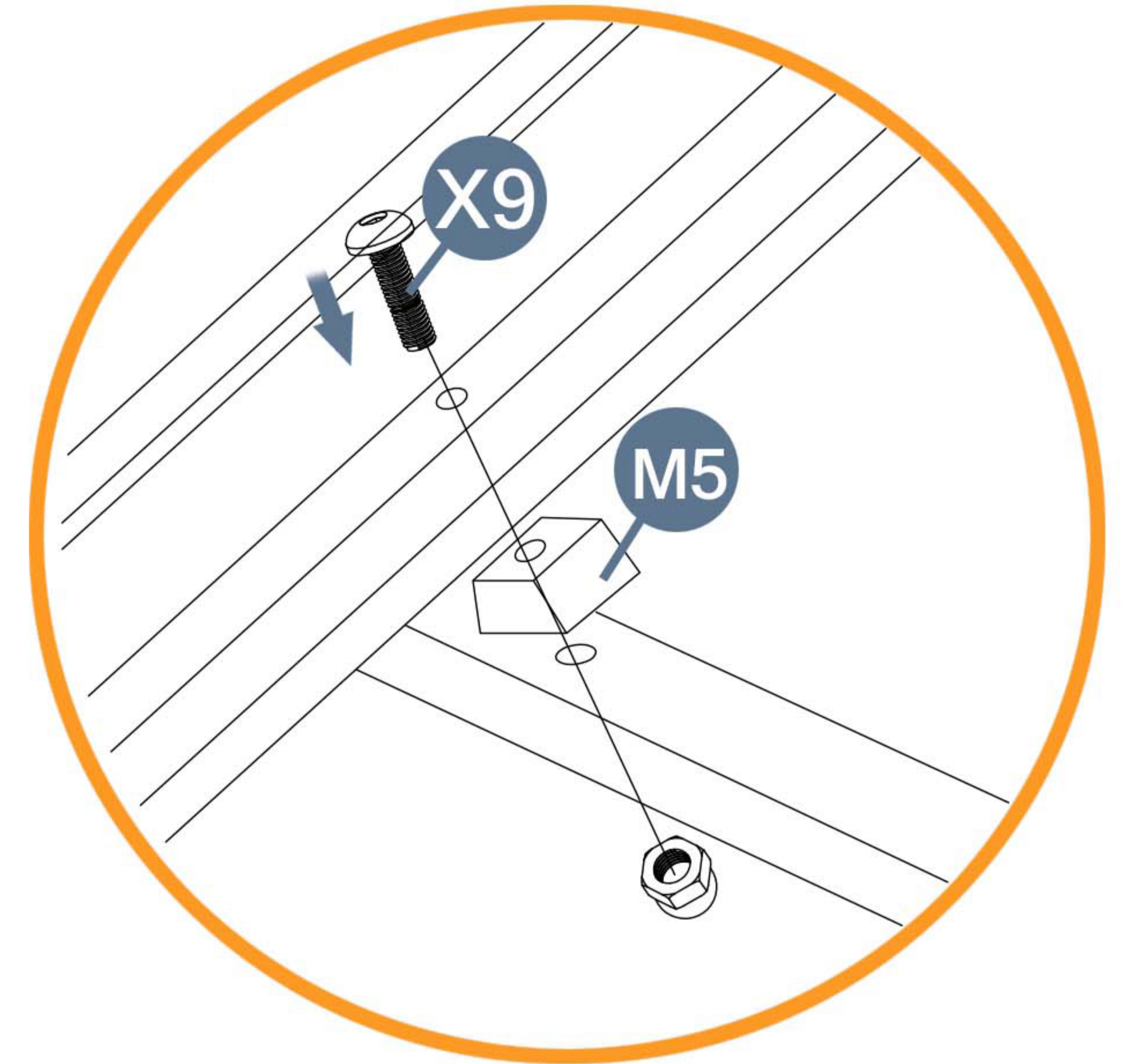
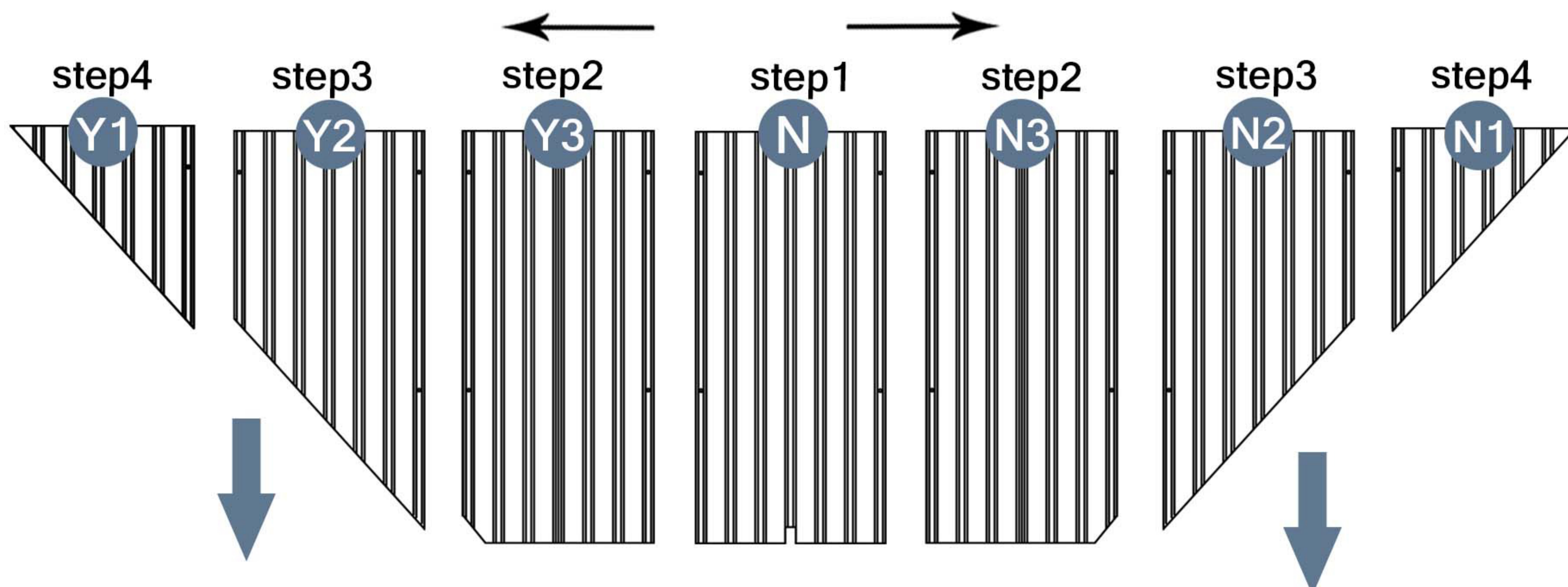
M5 20pcs



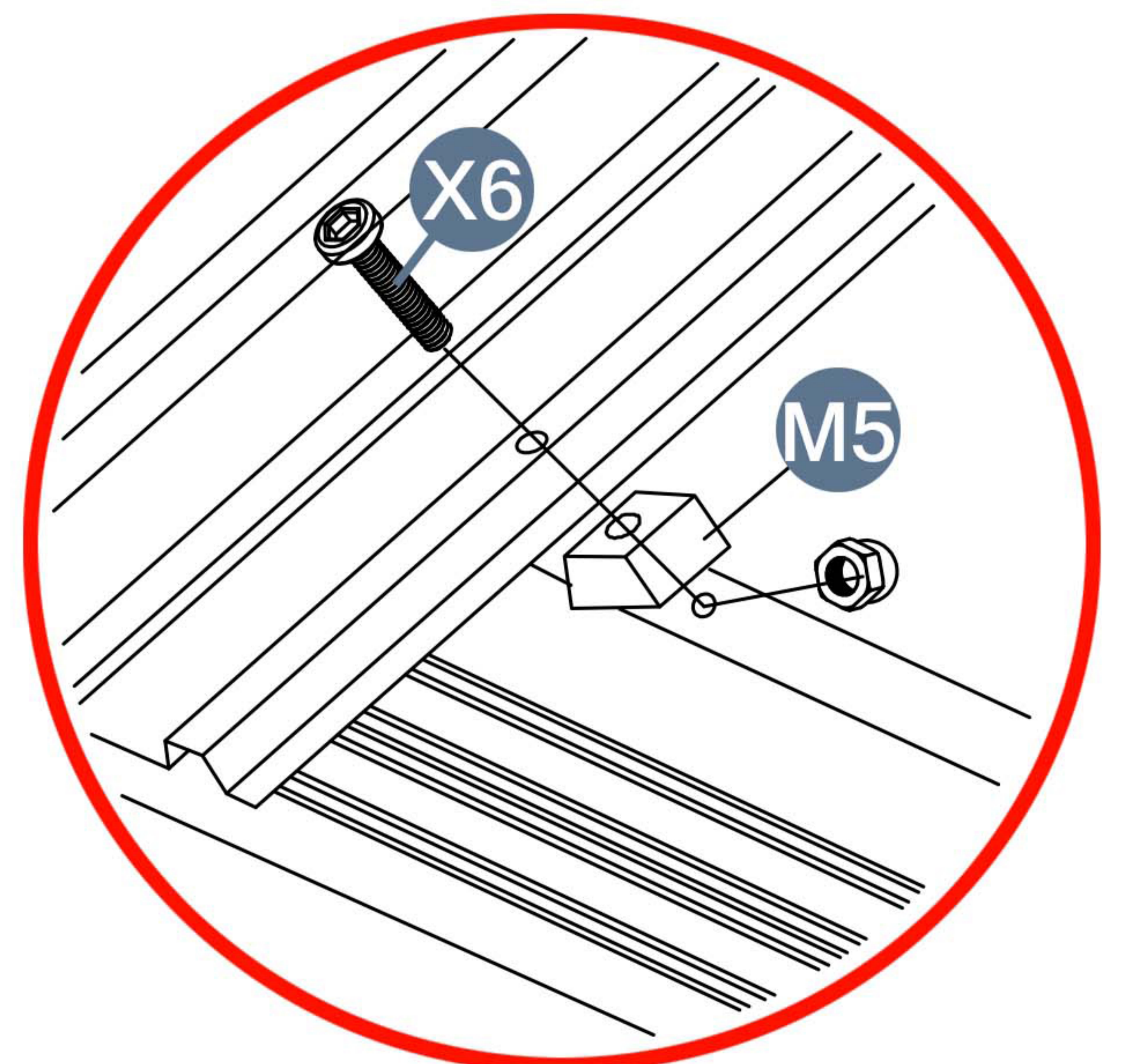
N 2pcs



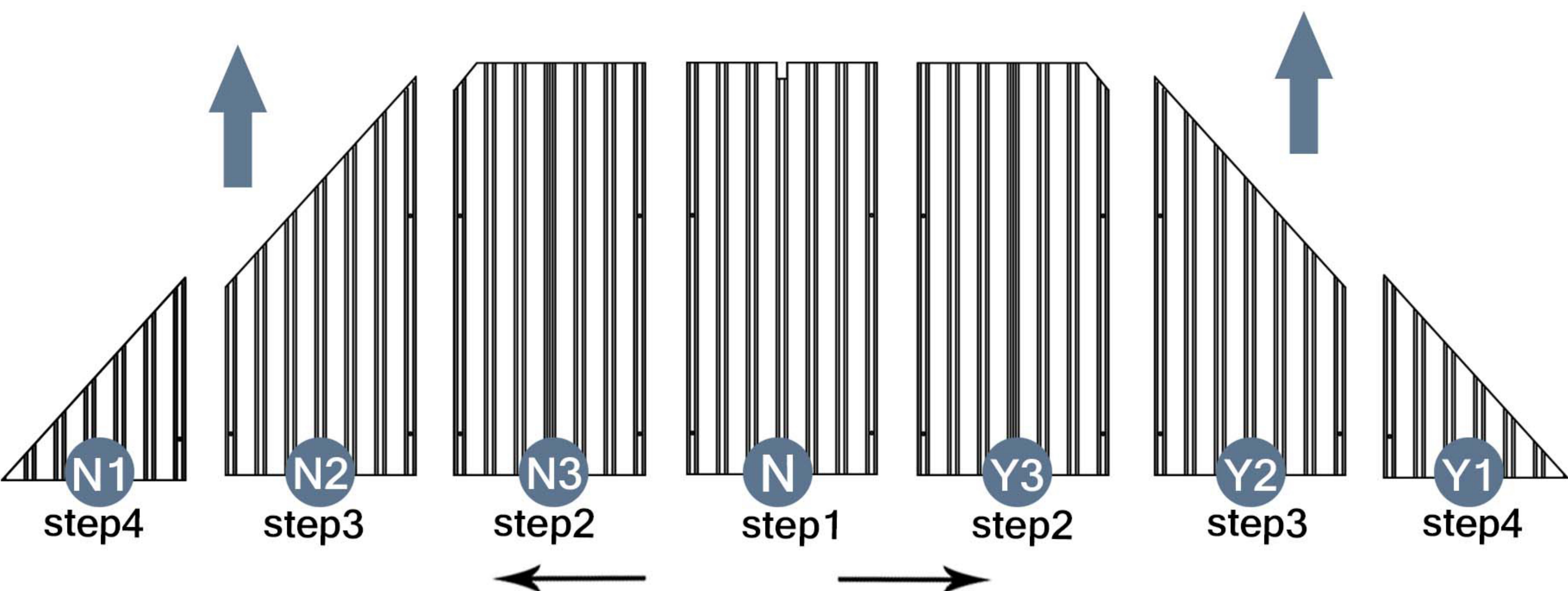
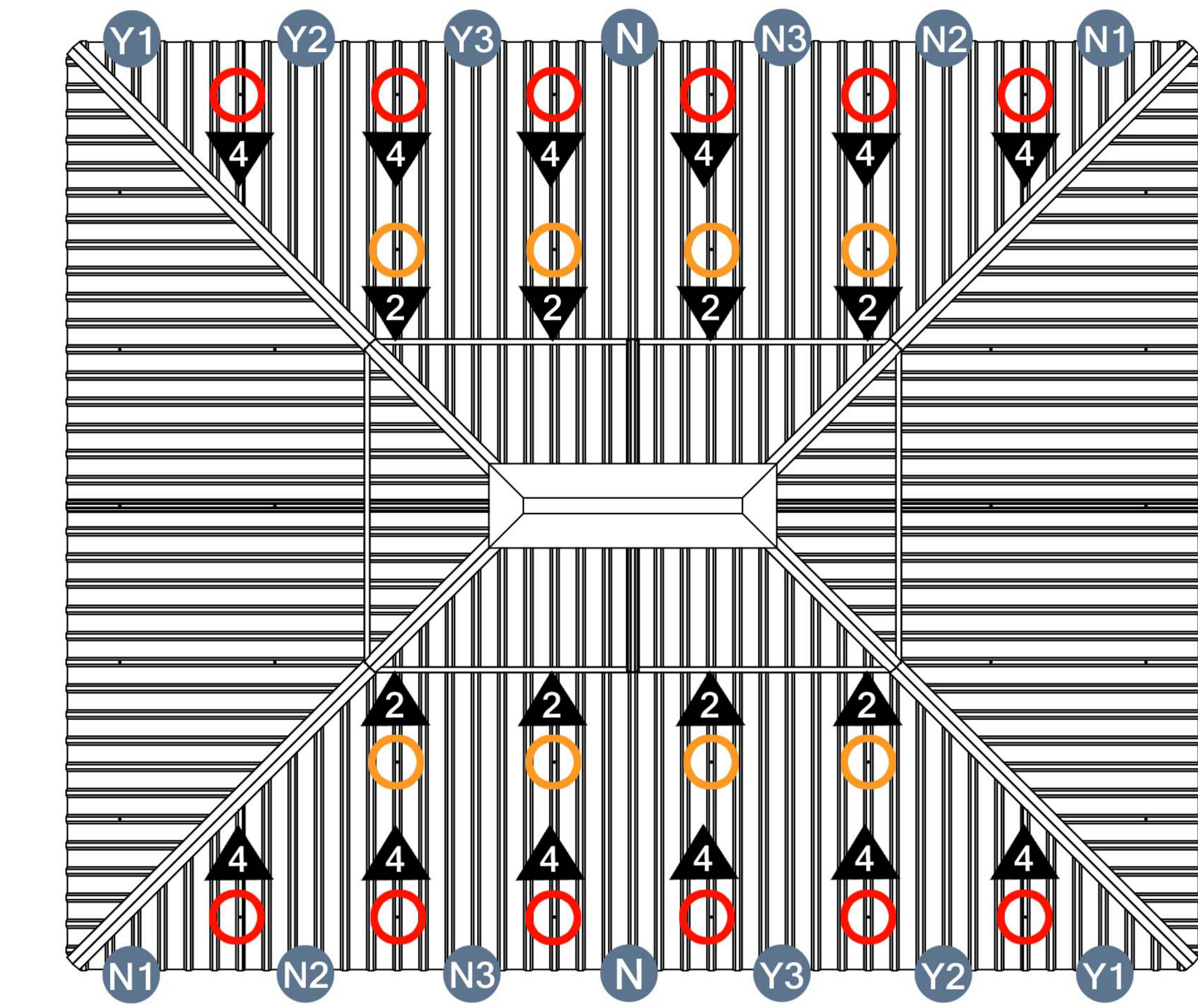
Pay attention to the direction of screw installation



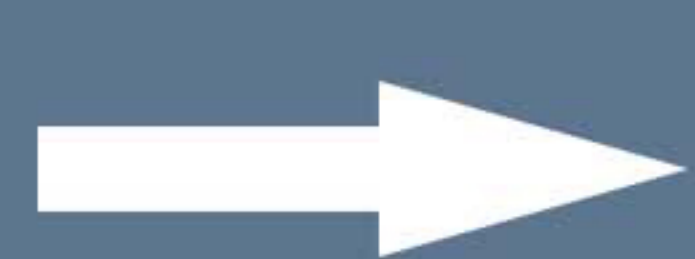
2



4



Please take care of the screws and contact the after-sales service if there is any problem with the installation or parts.



# STEP 18

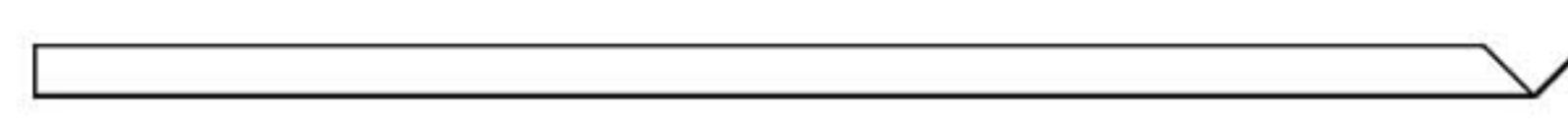
Parts required



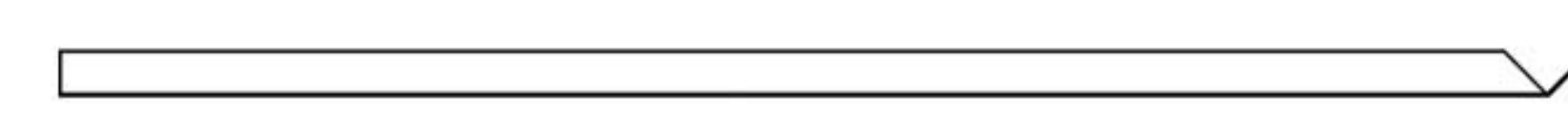
G1 2pcs



G3 2pcs



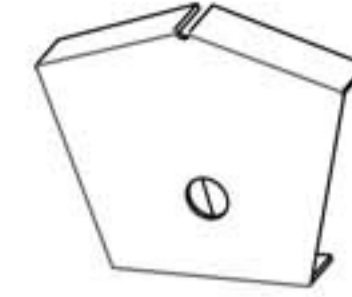
G2 2pcs



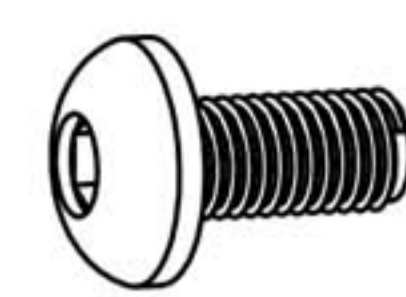
G4 2pcs



M1 4pcs

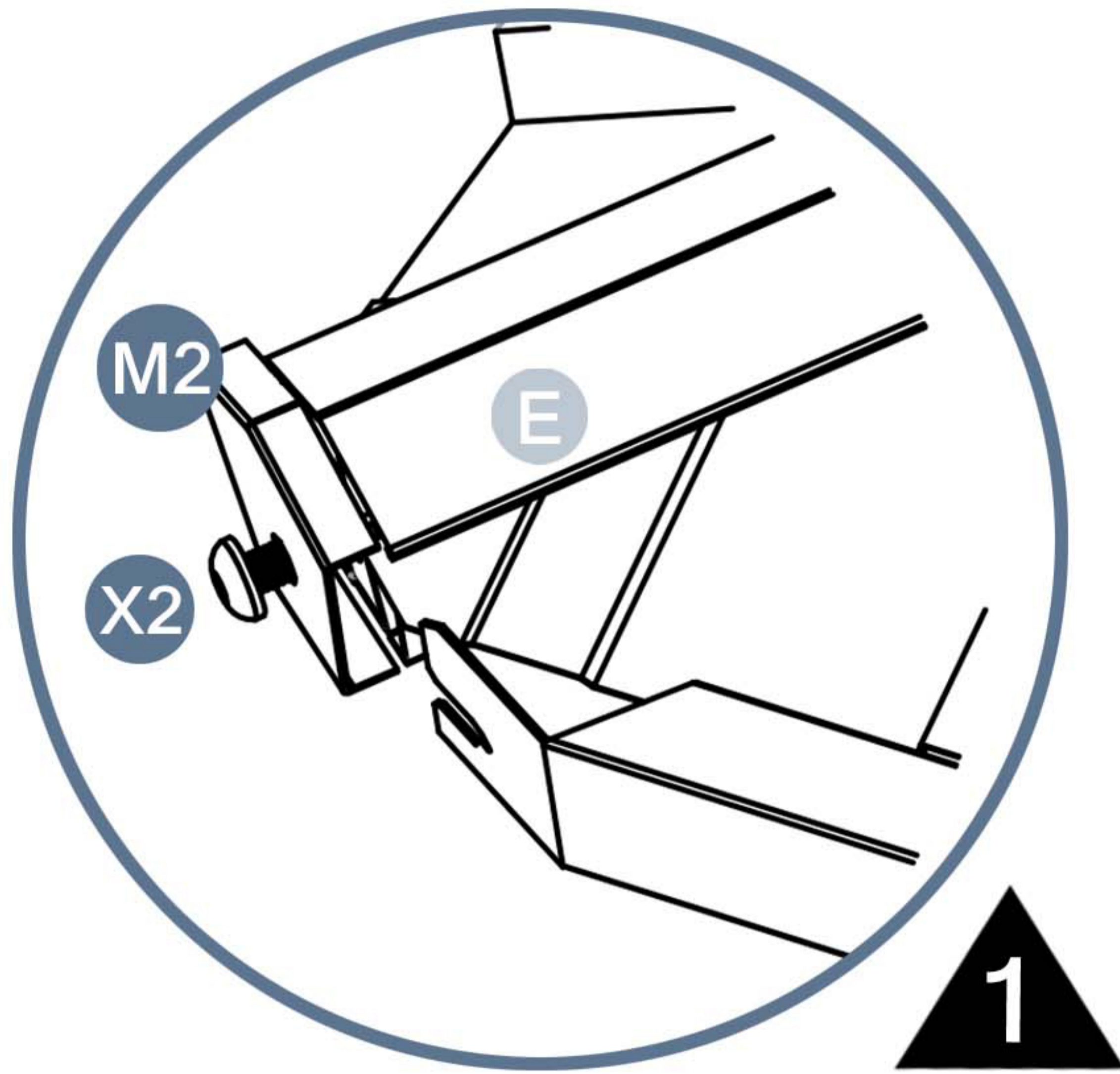


M2 4pcs

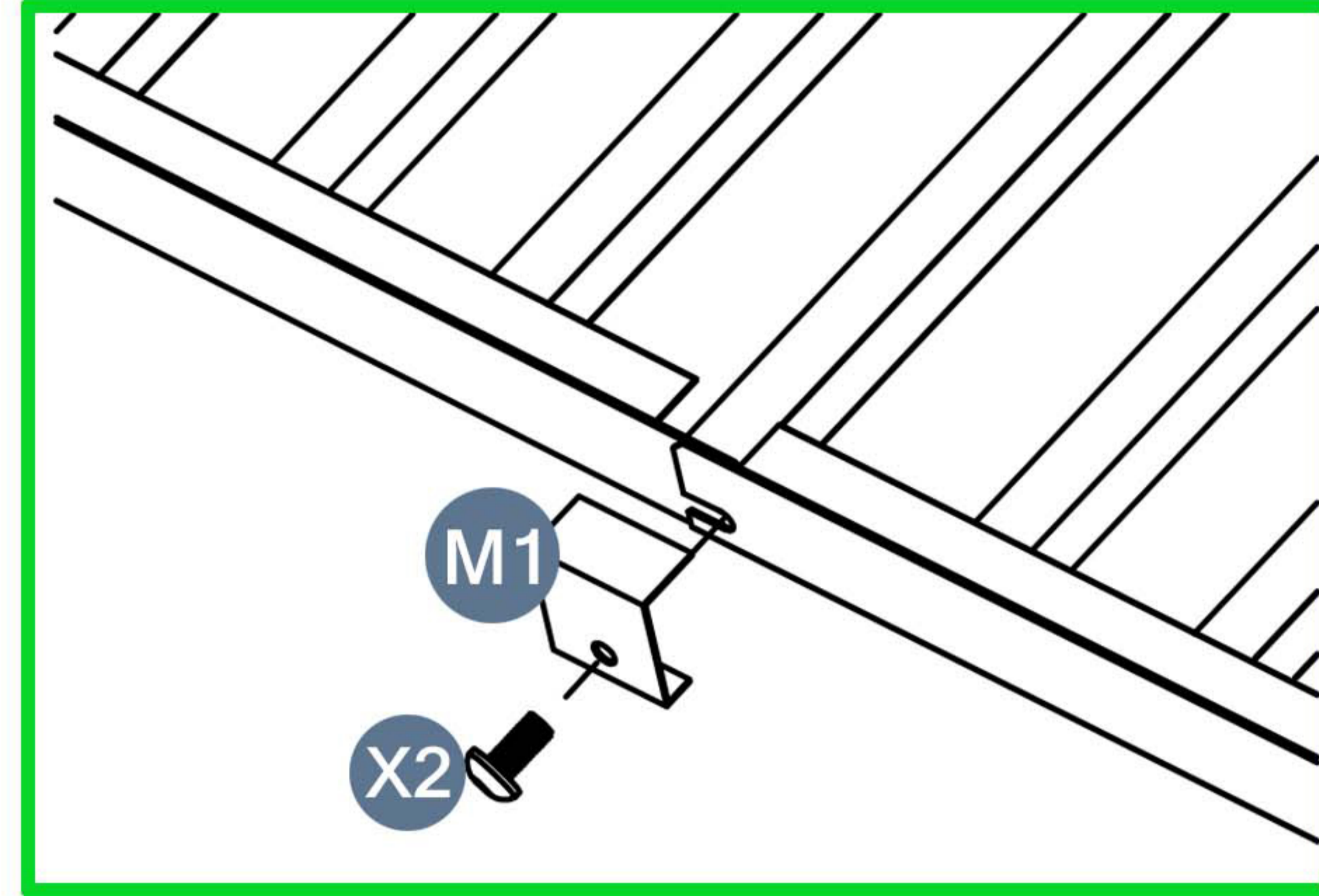


X2 8pcs

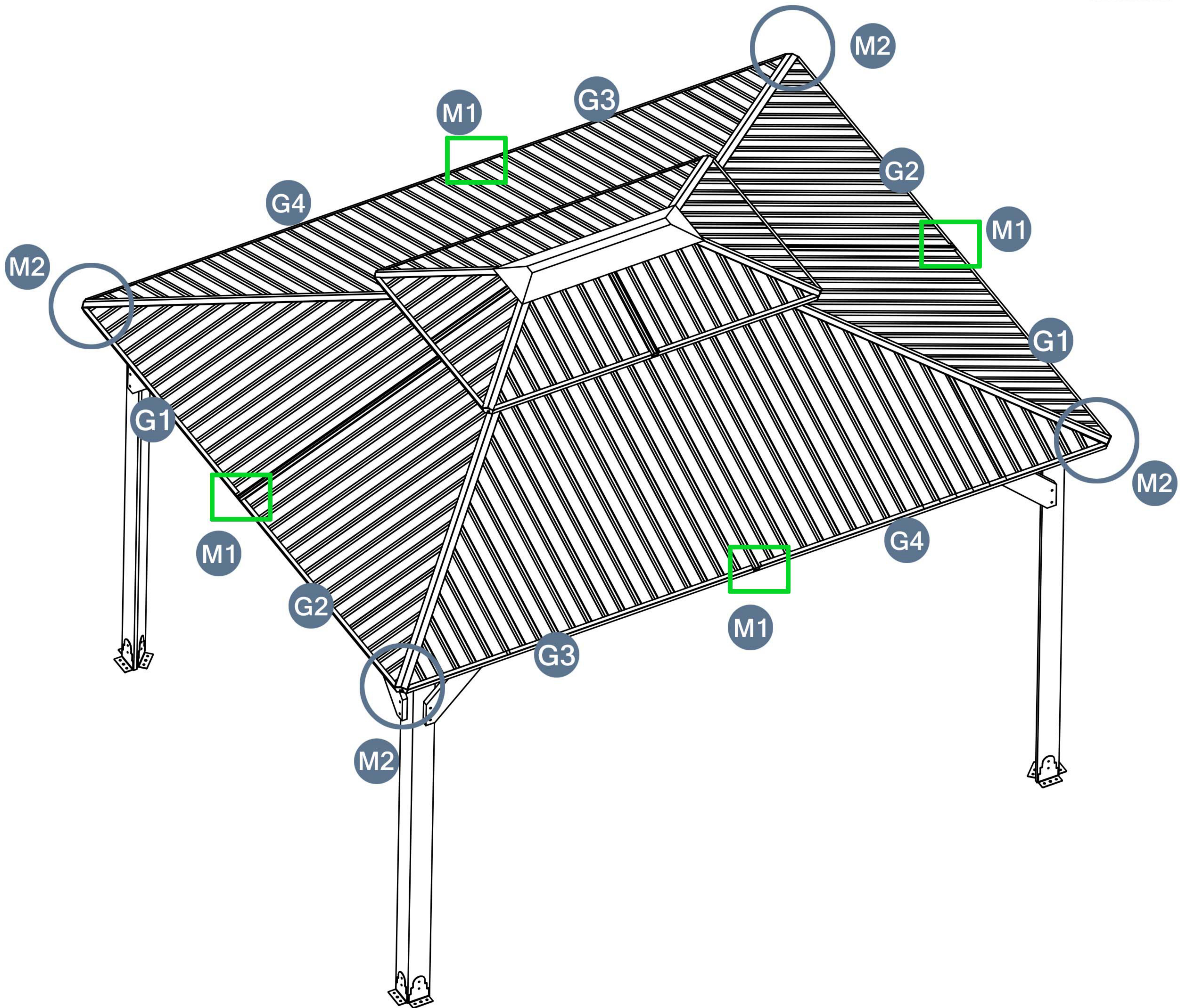
1 → 2



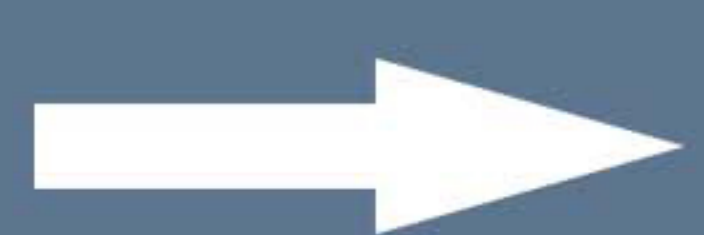
1



2



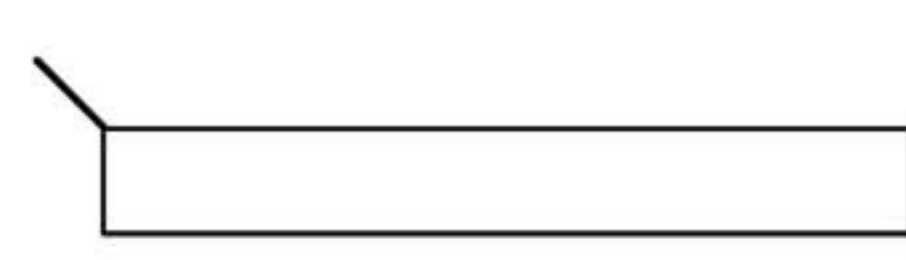
Please take care of the screws and contact the after-sales service if there is any problem with the installation or parts.



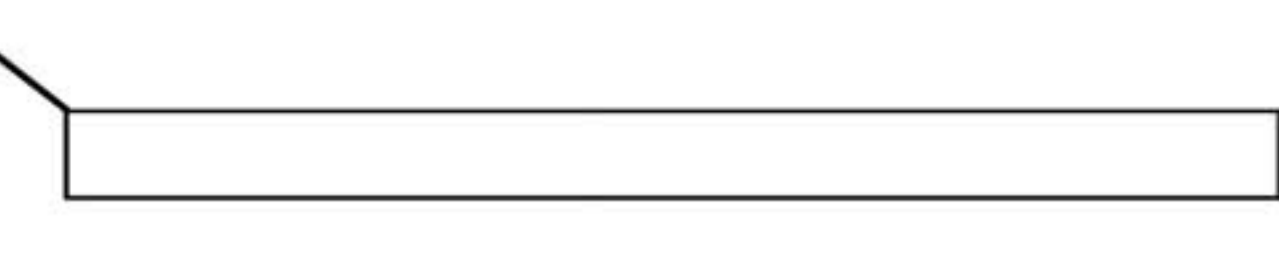
E-mail: [cs.helper01@gmail.com](mailto:cs.helper01@gmail.com)

# STEP 19

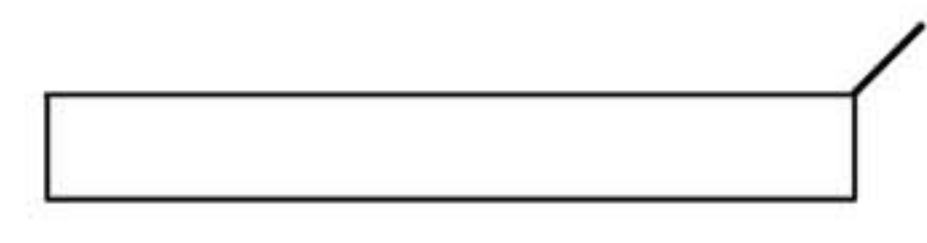
Parts required



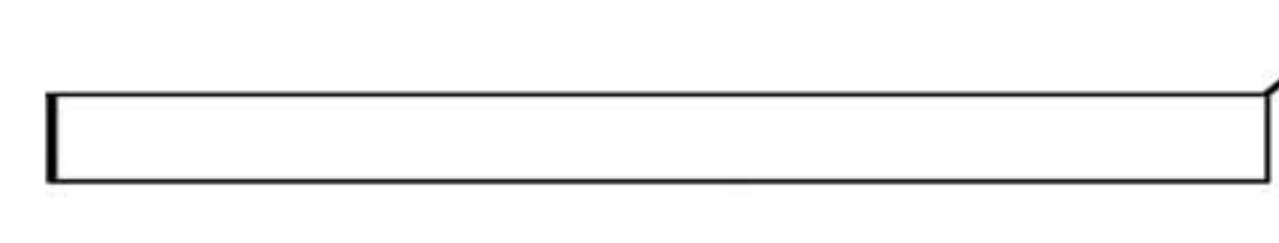
G7 2pcs



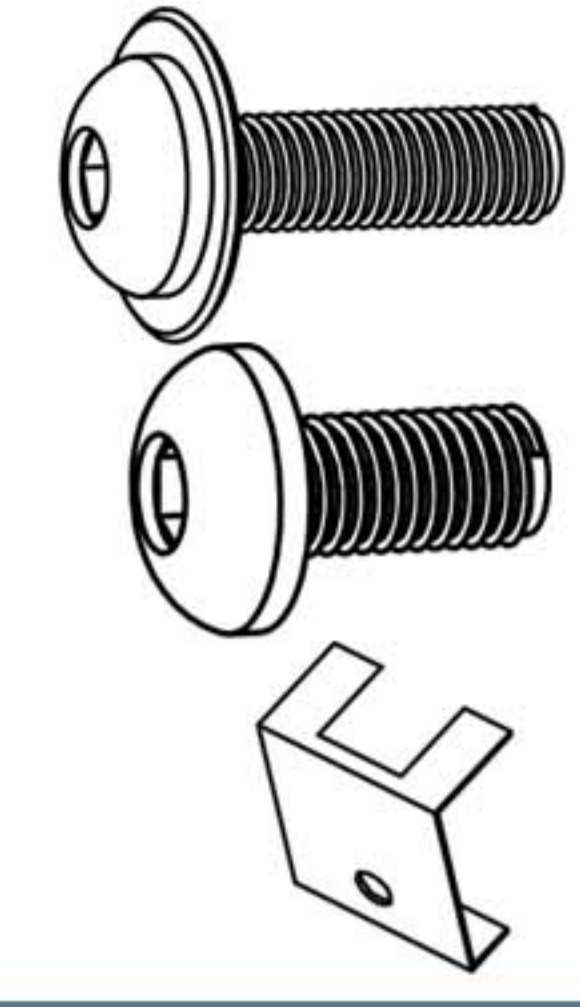
G9 2pcs



G8 2pcs



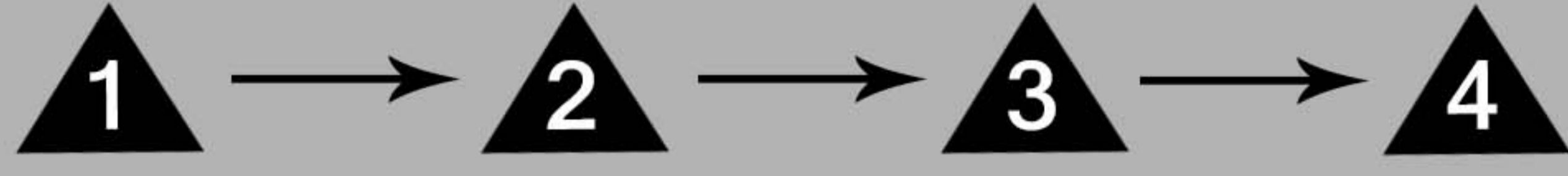
G10 2pcs



X7 4pcs

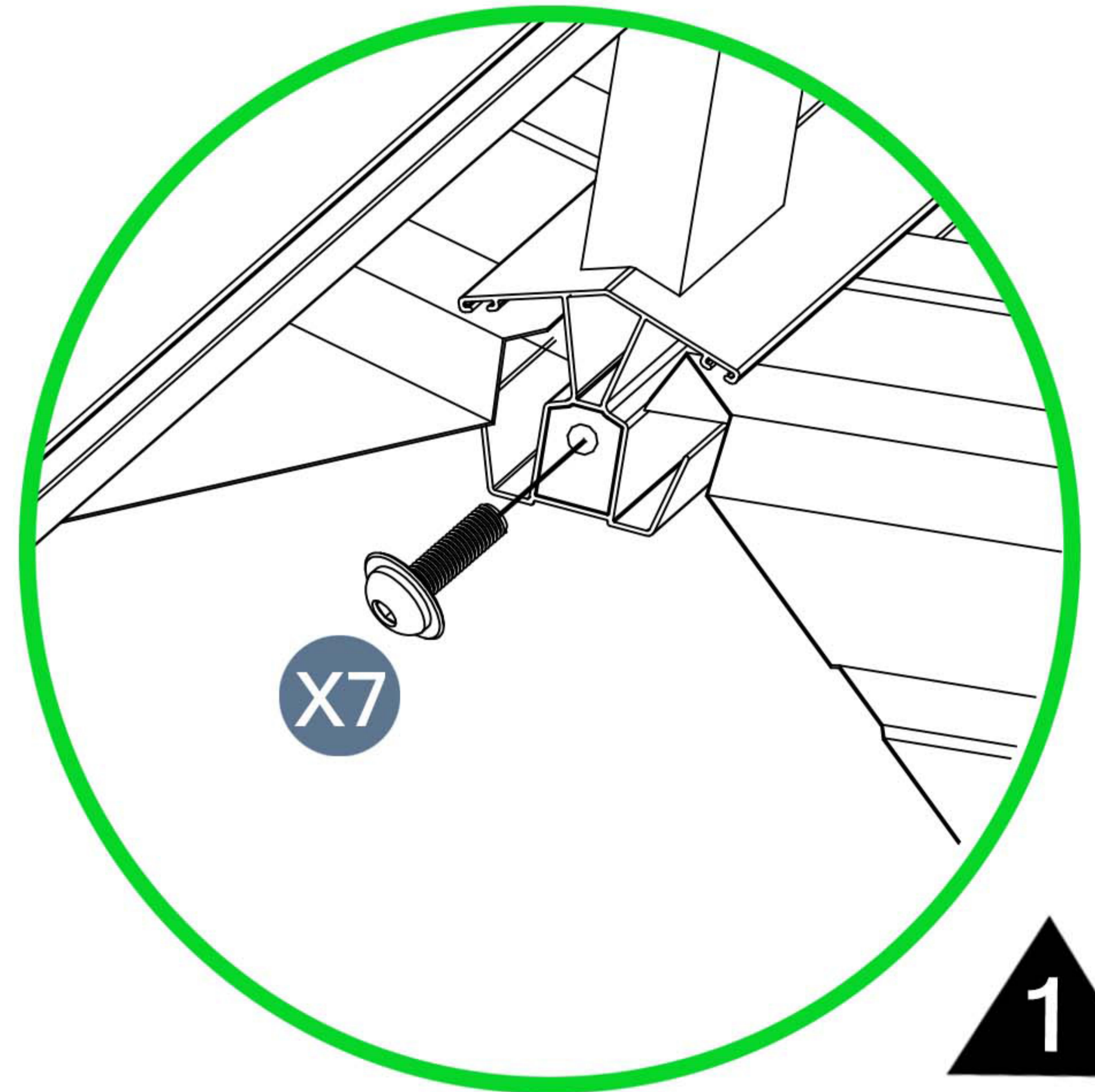
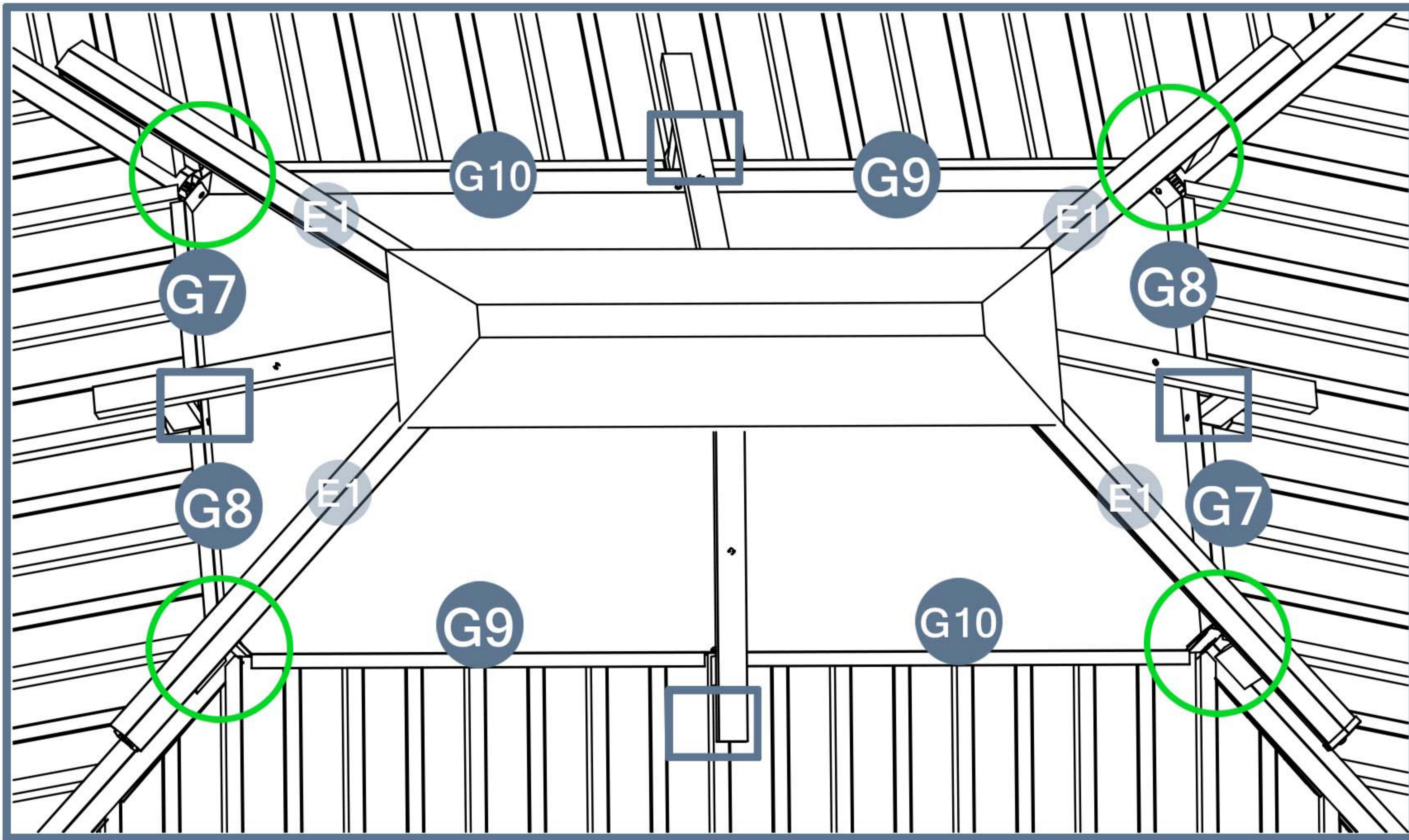
X2 4pcs

M6 4pcs

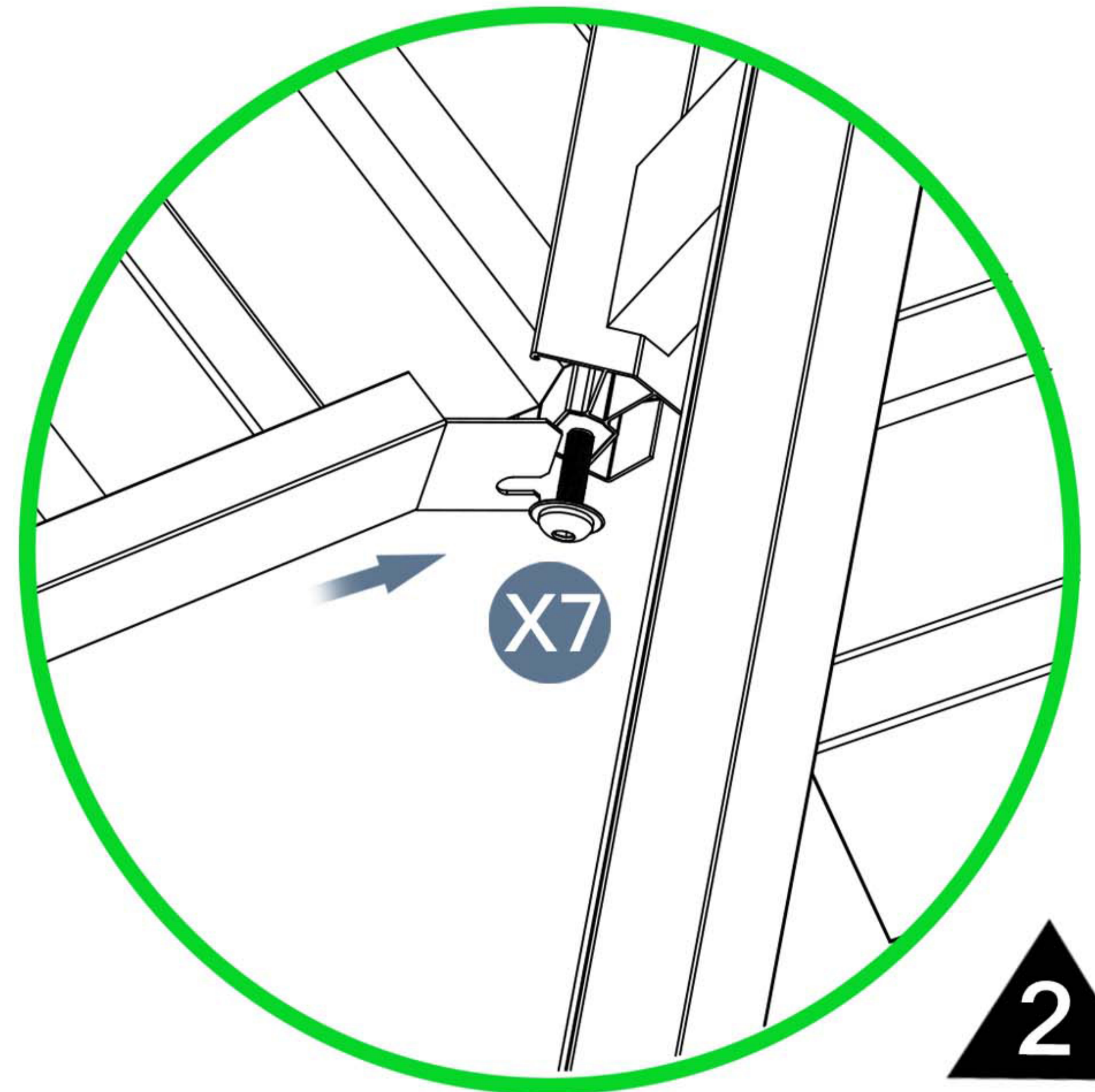


It can be installed from the inside.

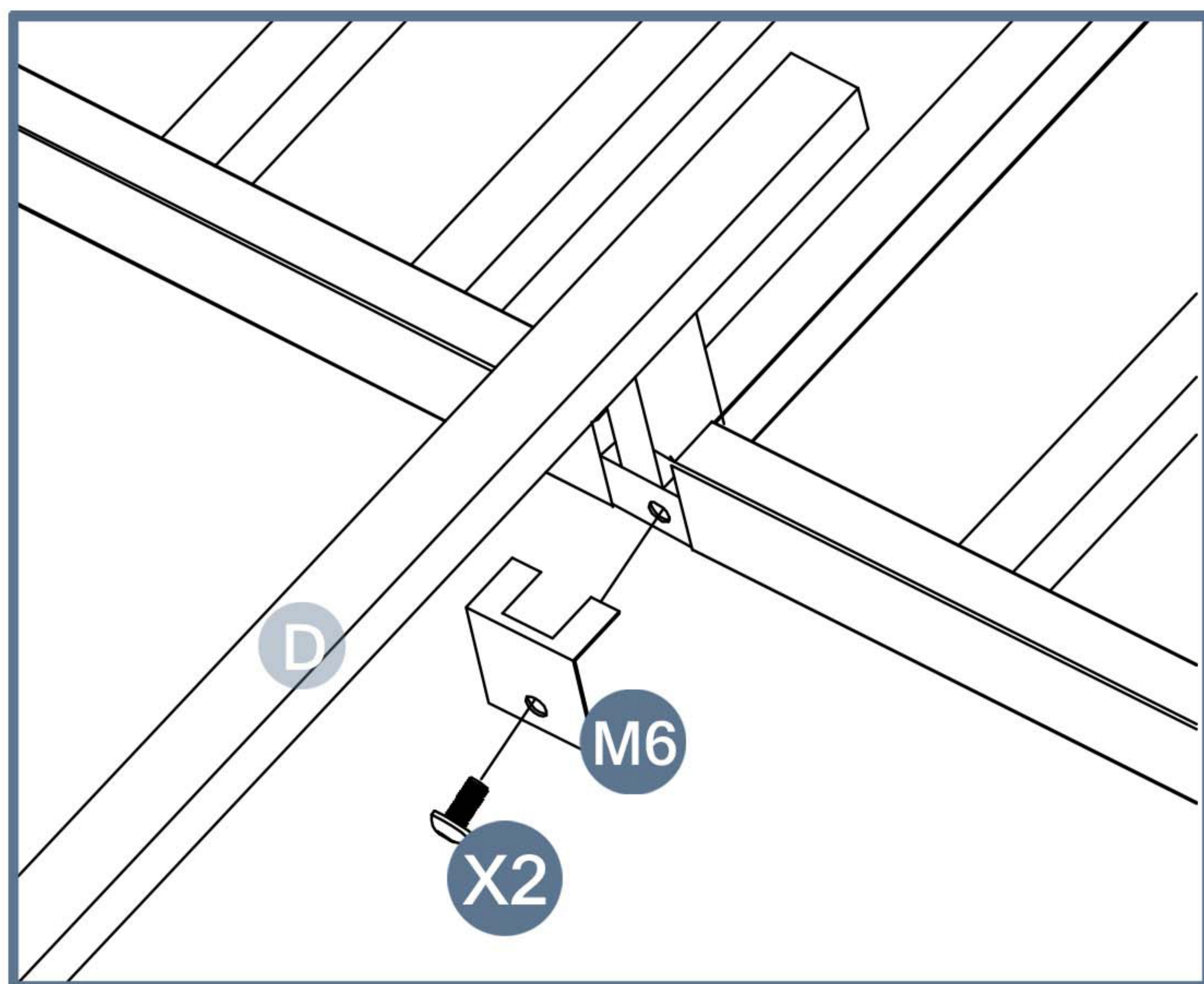
To better align the screws for practical situations, do not fully tighten screws initially.



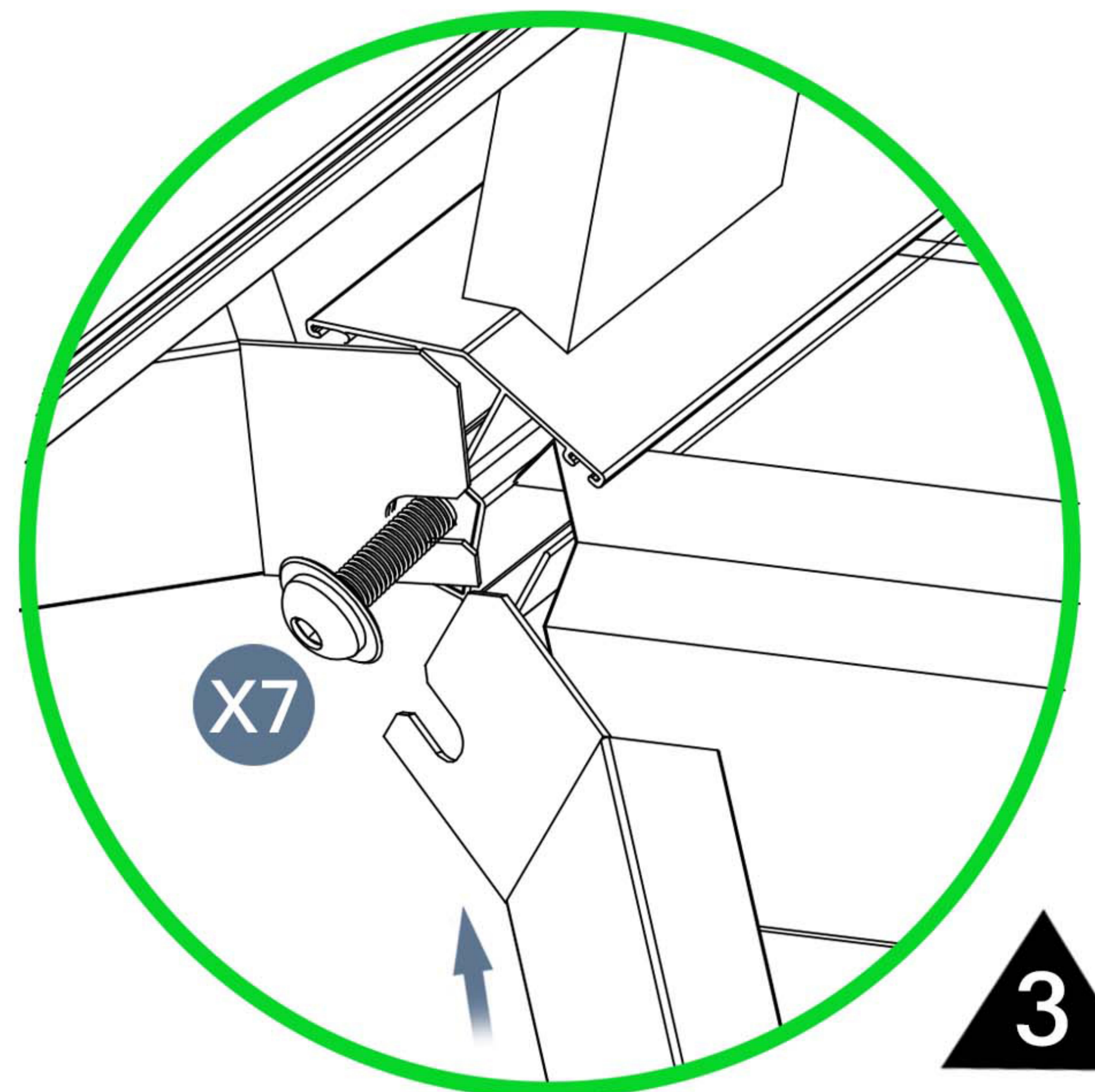
1



2



4



3

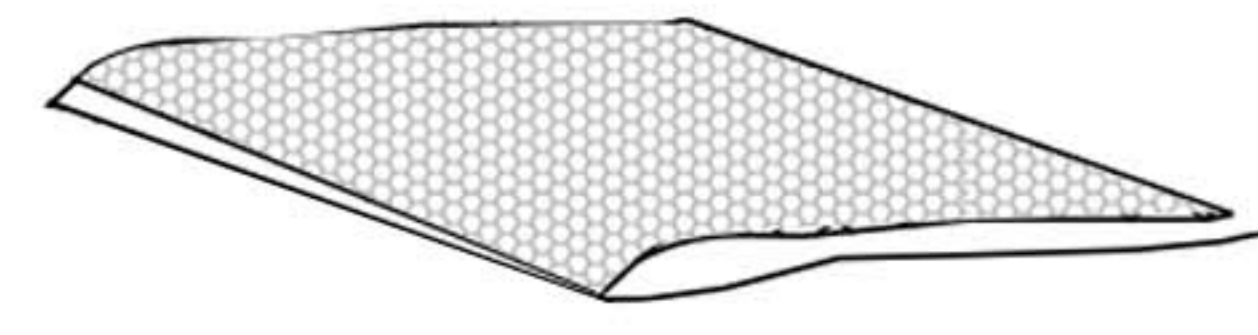
Please take care of the screws and contact the after-sales service if there is any problem with the installation or parts.



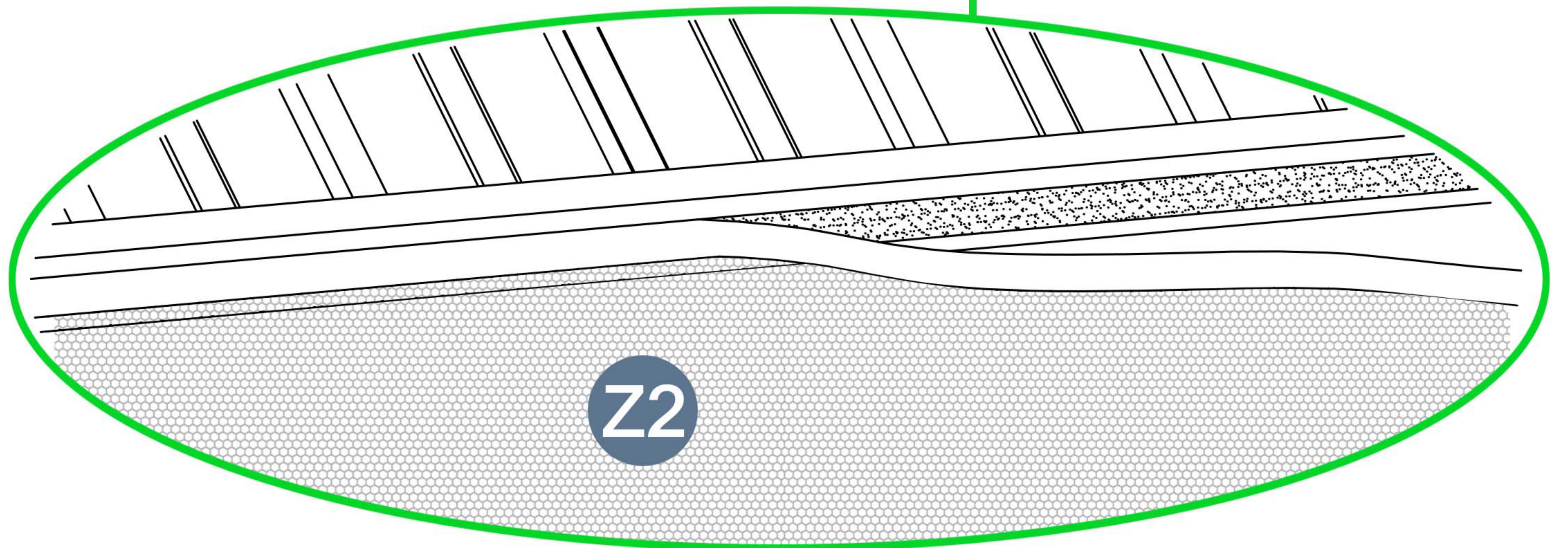
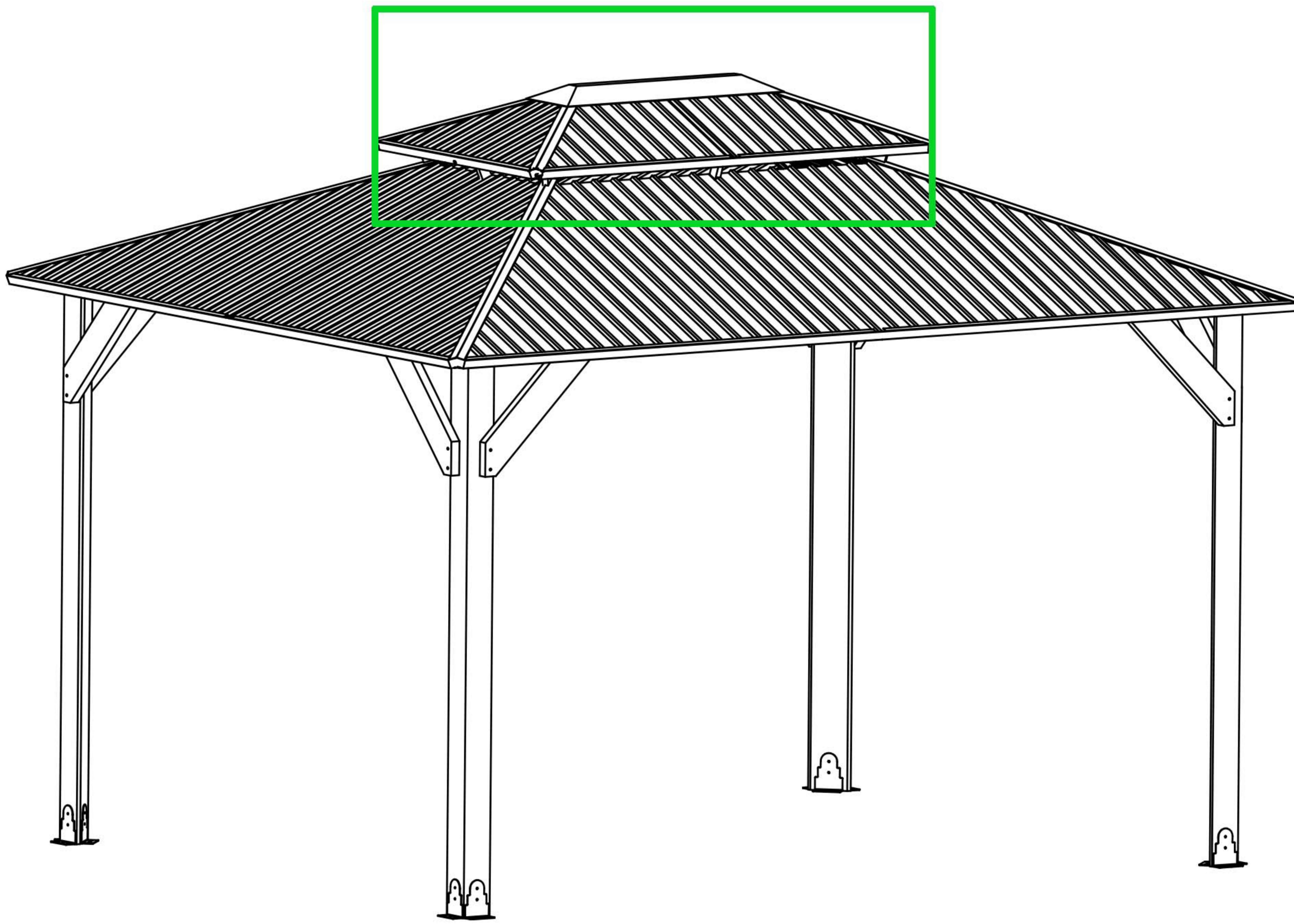
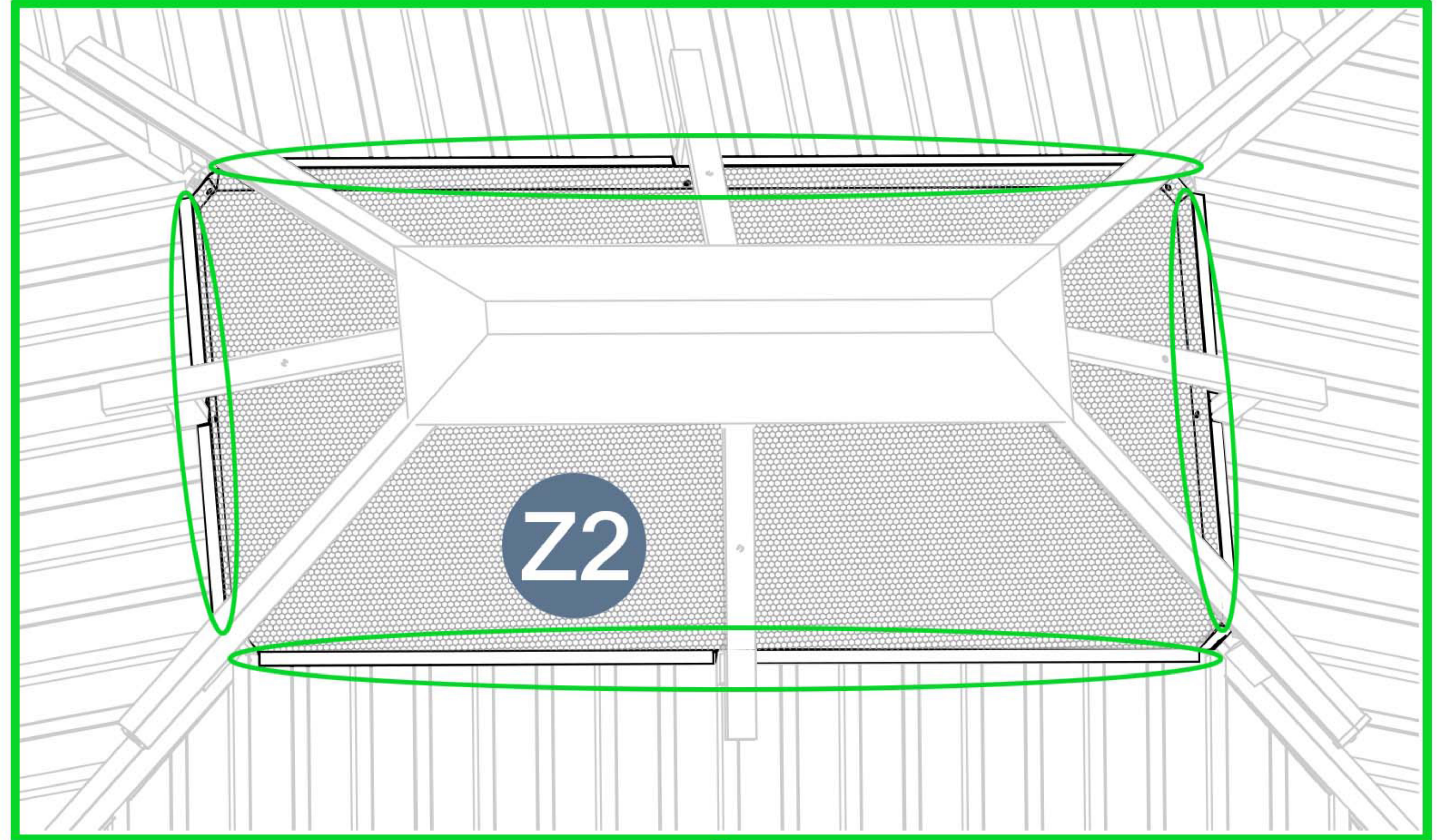
E-mail: [cs.helper01@gmail.com](mailto:cs.helper01@gmail.com)

# STEP 20

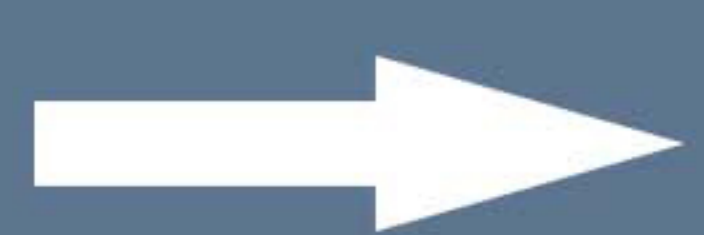
Parts required



Z2 1pcs



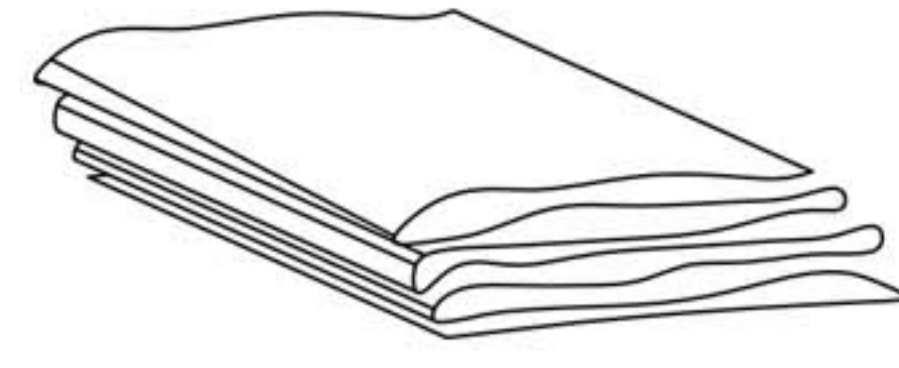
Please take care of the screws and contact the after-sales service if there is any problem with the installation or parts.



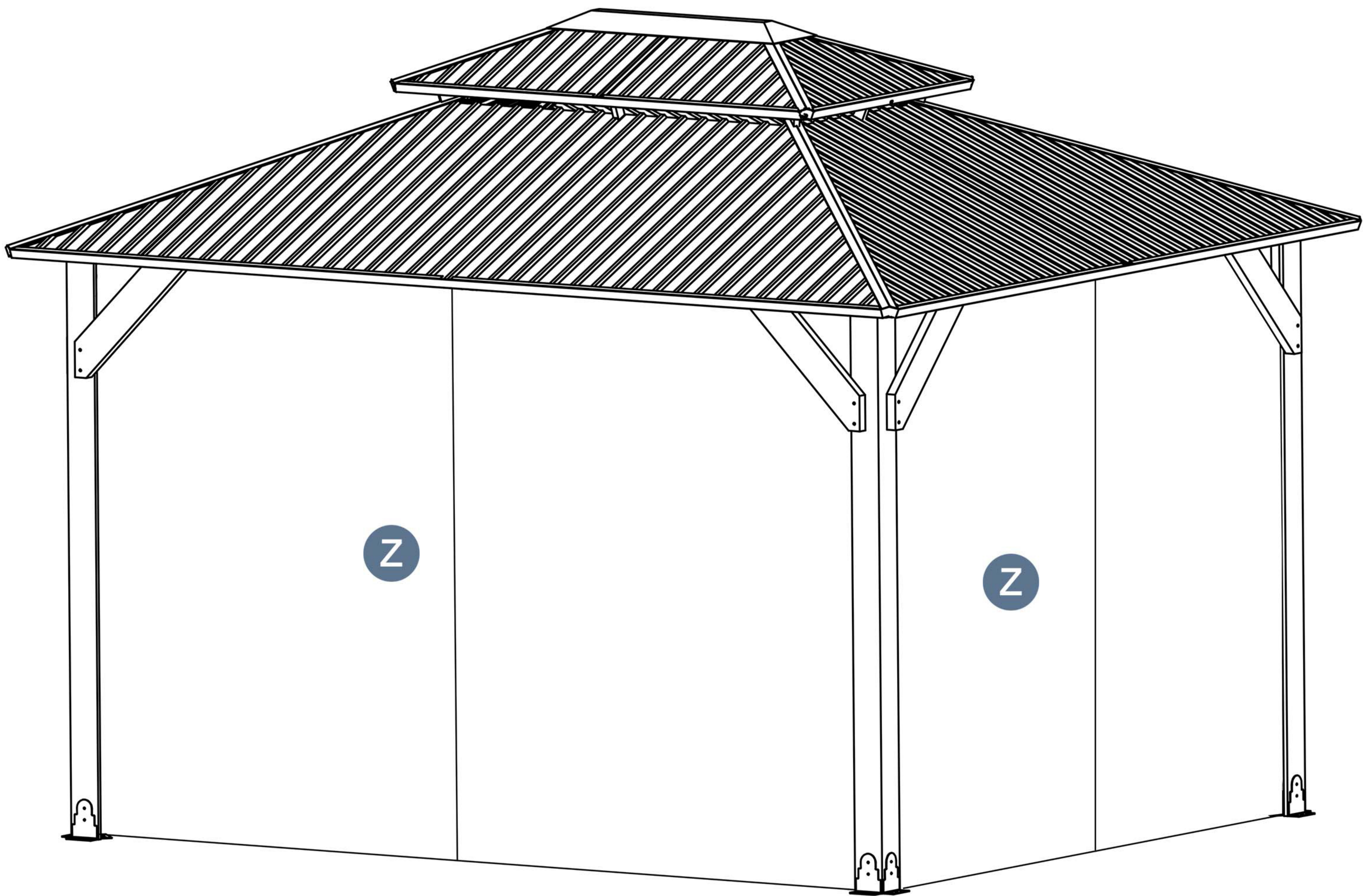
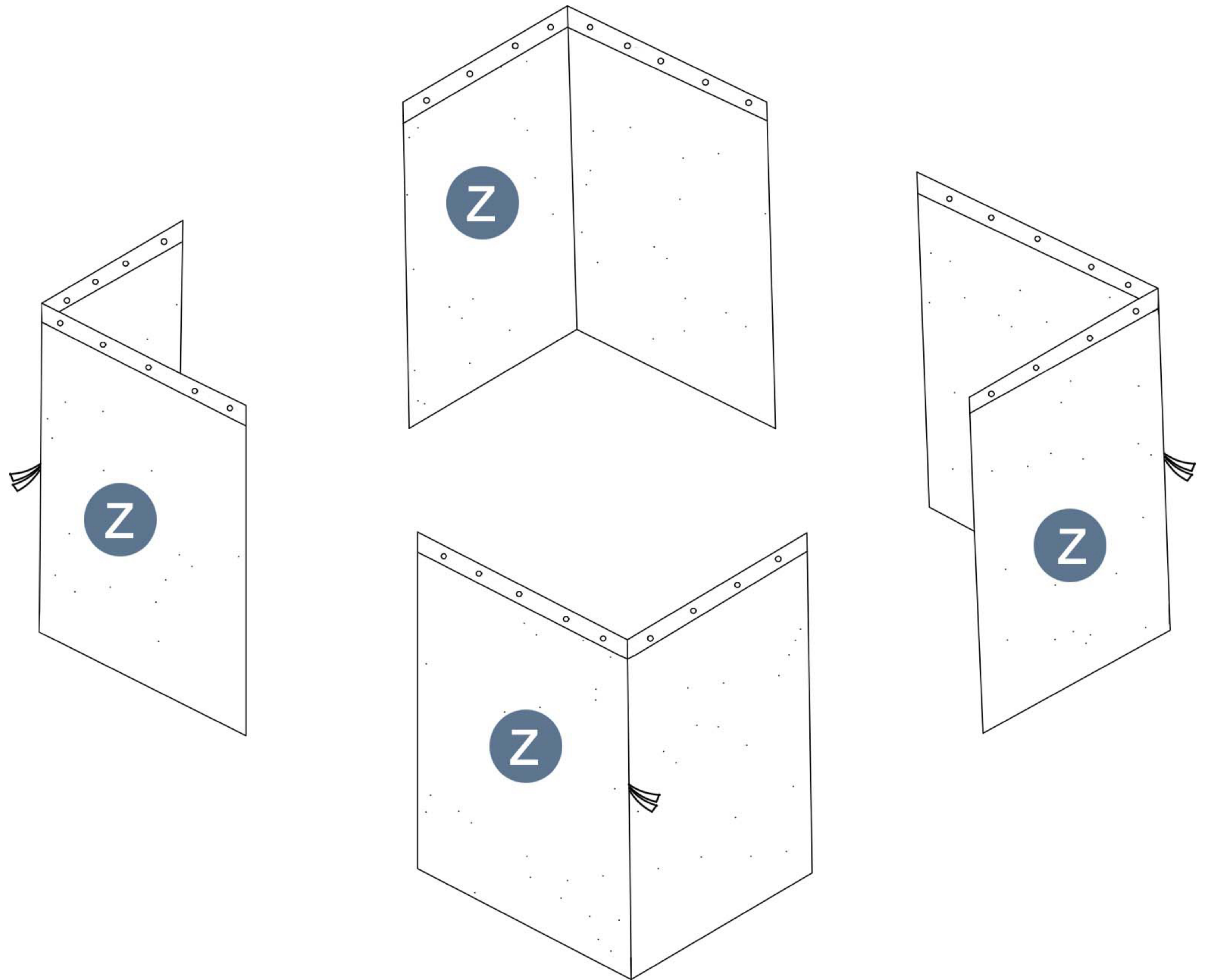
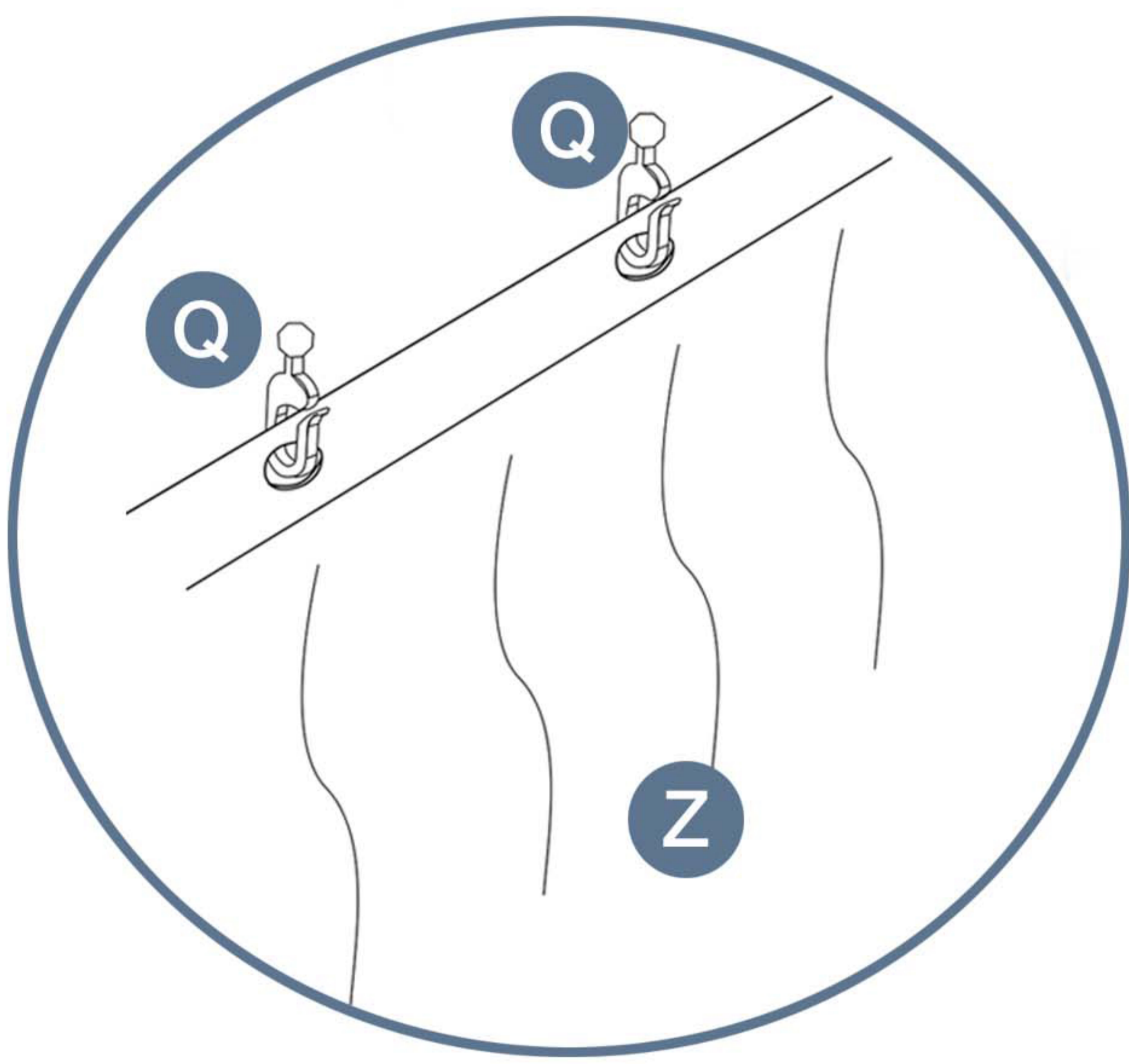
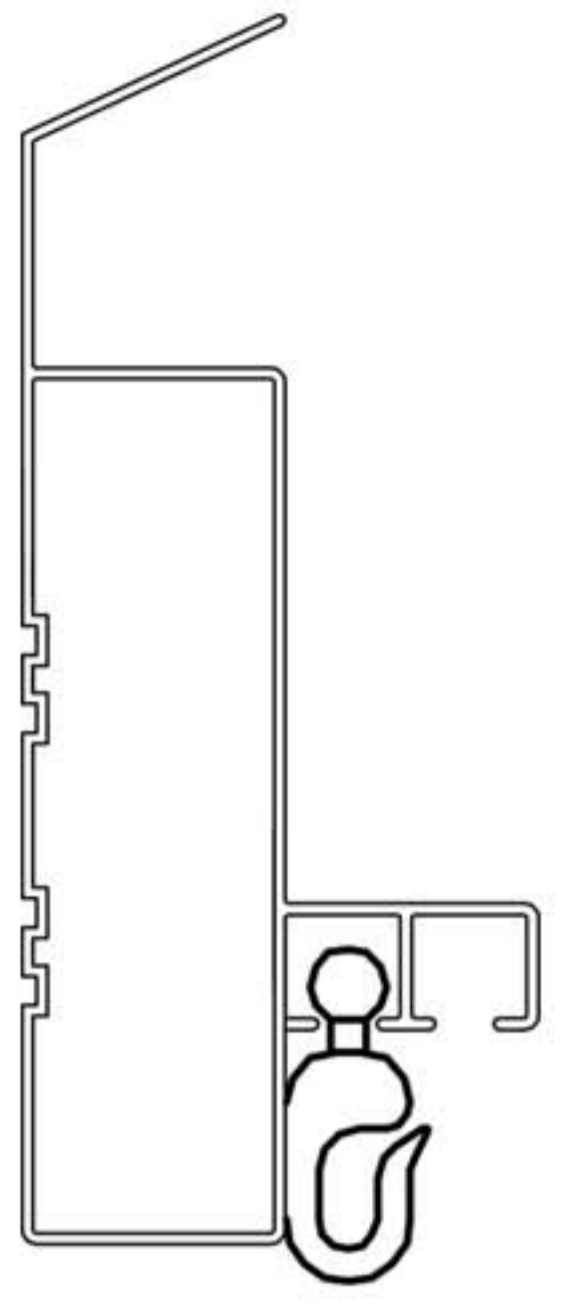
E-mail: [cs.helper01@gmail.com](mailto:cs.helper01@gmail.com)

# STEP 21

Parts required



Z 1pcs



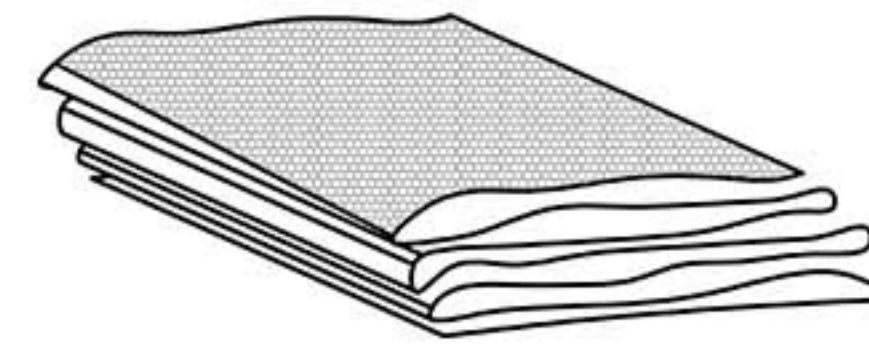
Please take care of the screws and contact the after-sales service if there is any problem with the installation or parts.



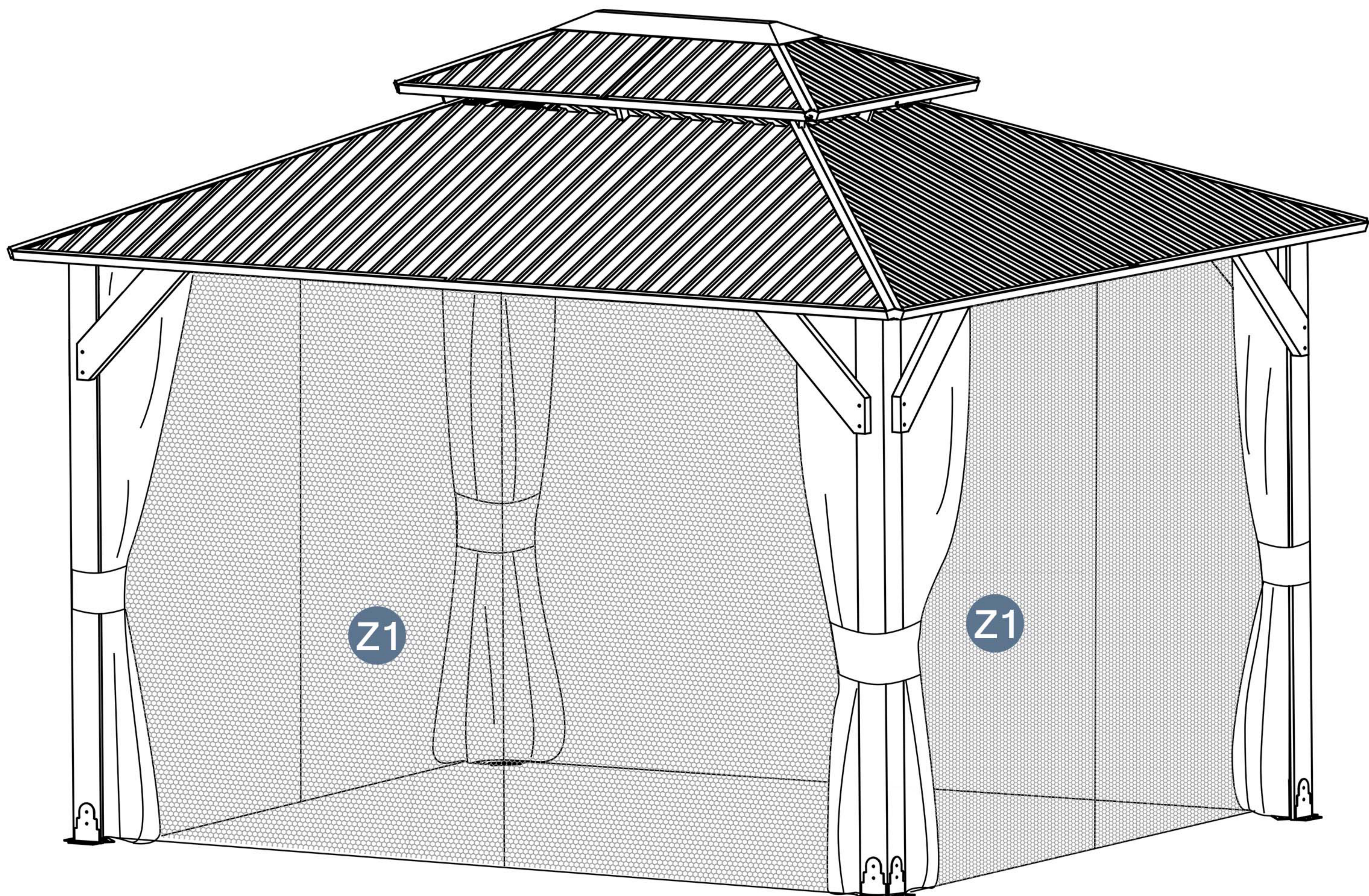
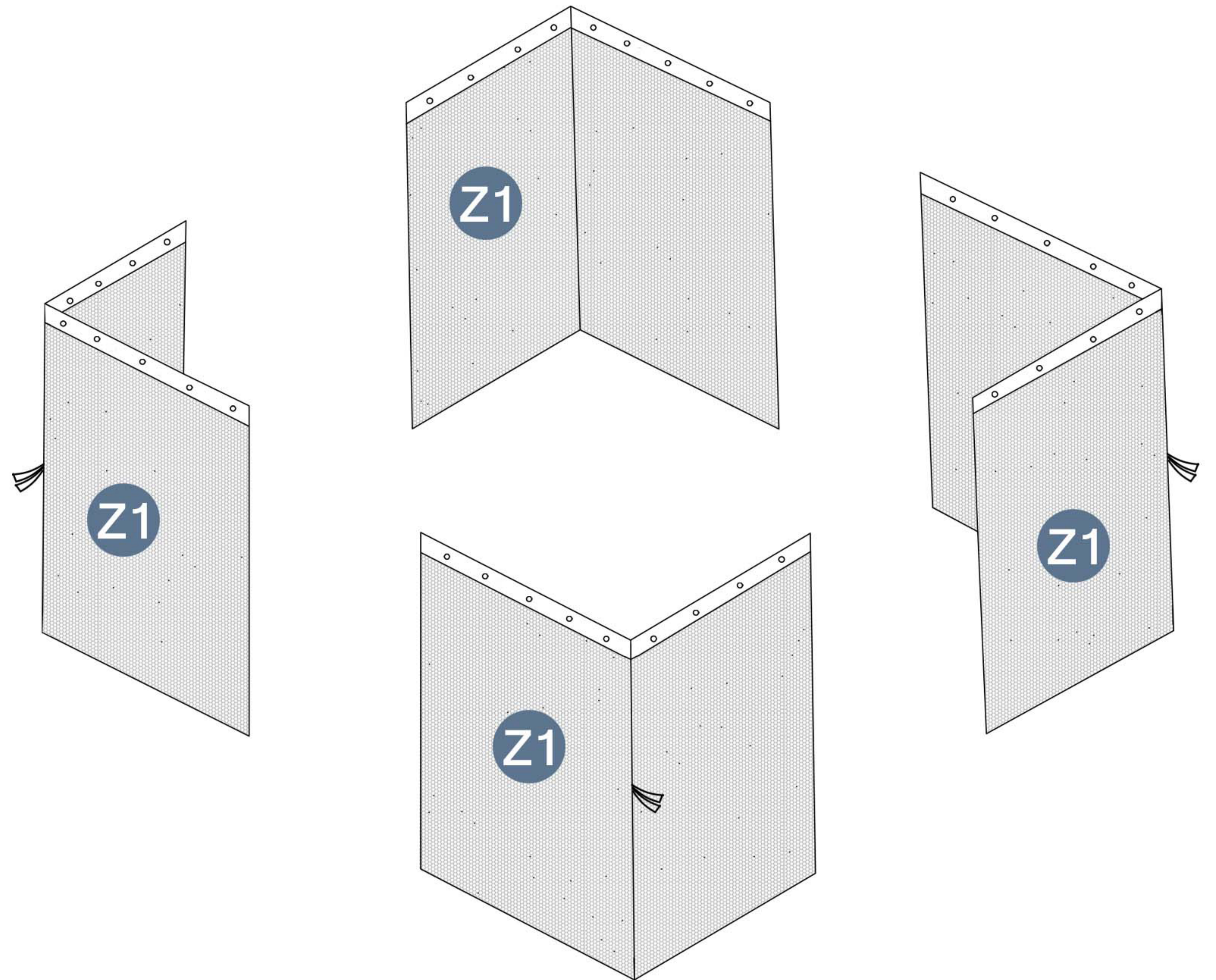
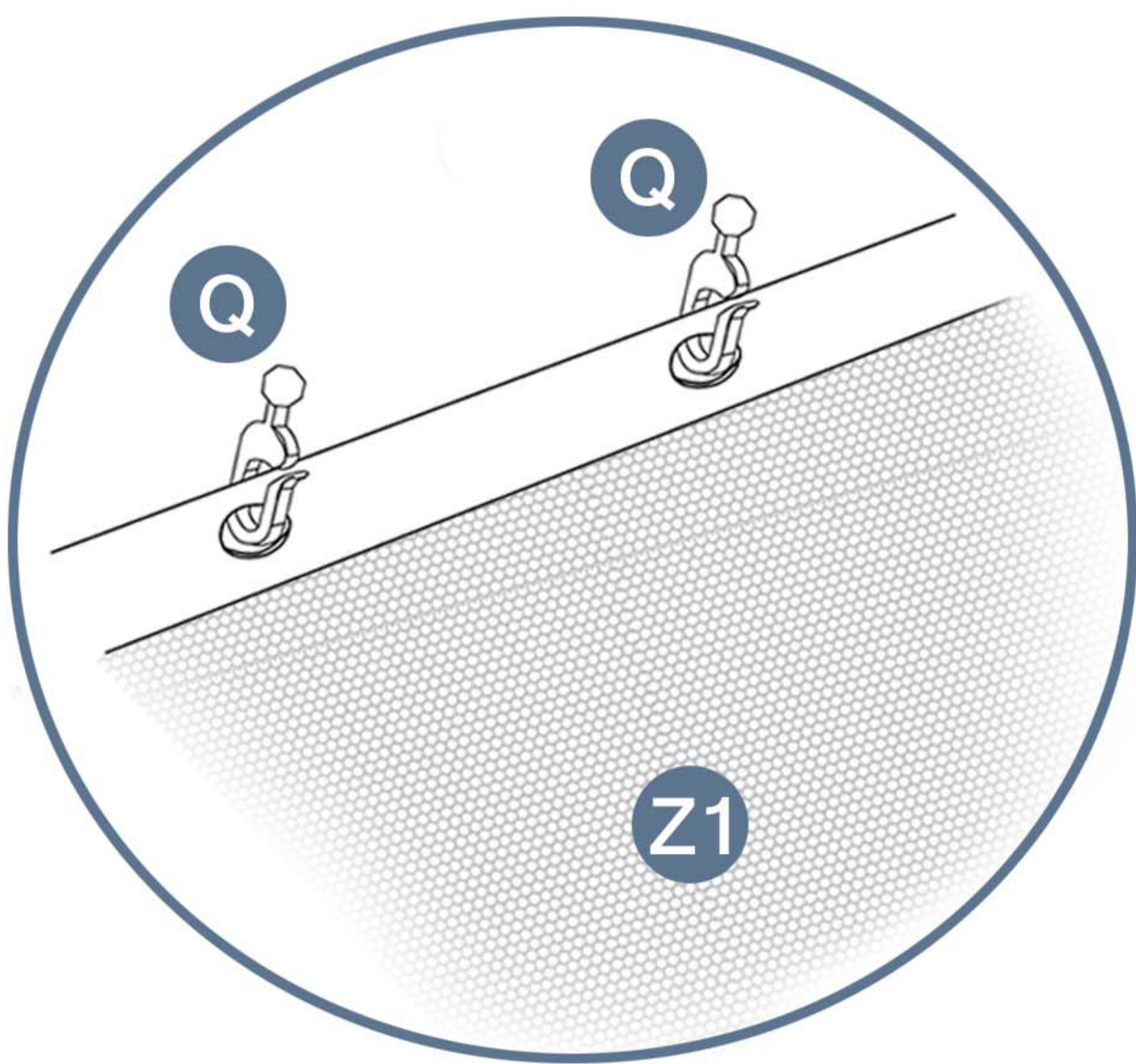
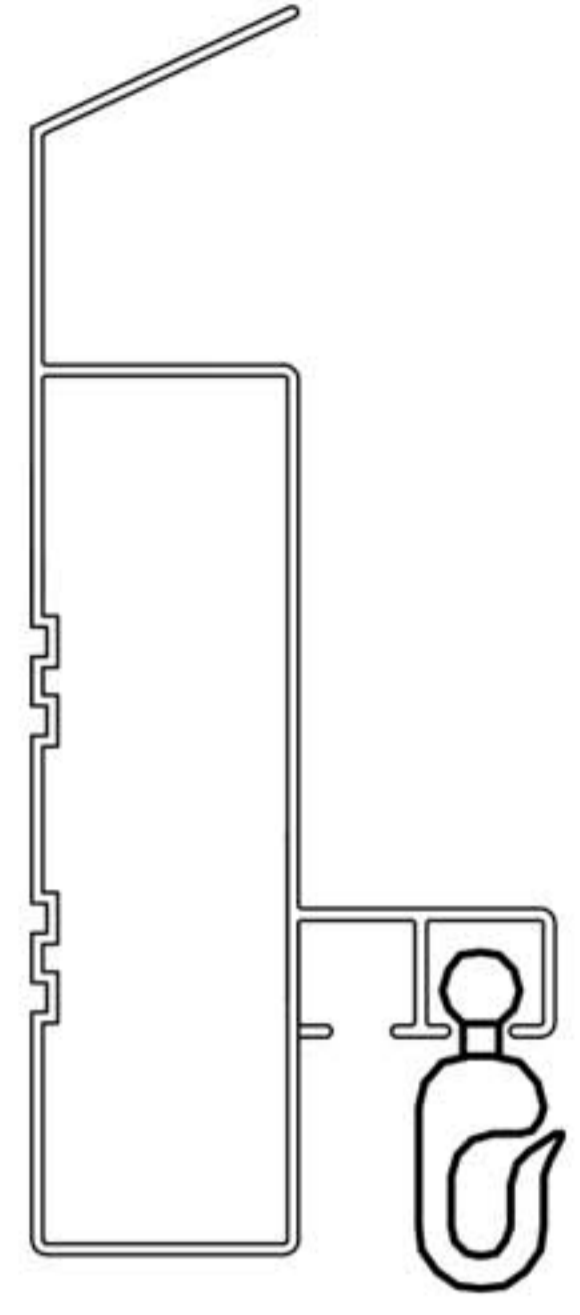
E-mail: [cs.helper01@gmail.com](mailto:cs.helper01@gmail.com)

# STEP 22

Parts required



Z1 1pcs

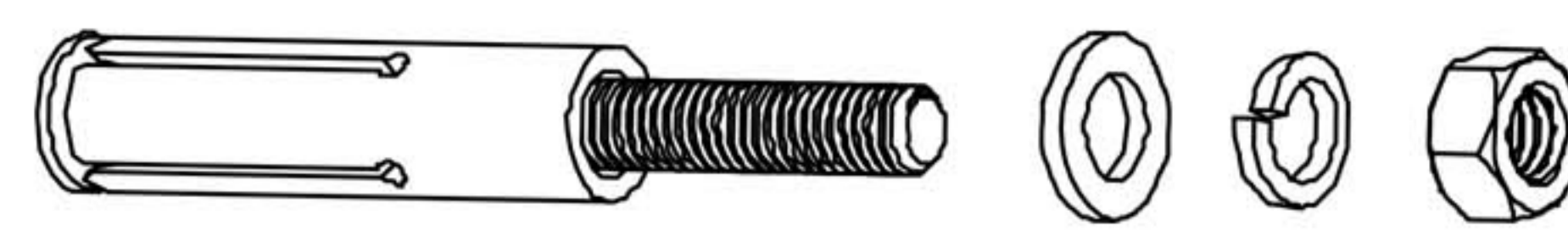


Please take care of the screws and contact the after-sales service if there is any problem with the installation or parts.

➔ ✉ E-mail: [cs.helper01@gmail.com](mailto:cs.helper01@gmail.com)

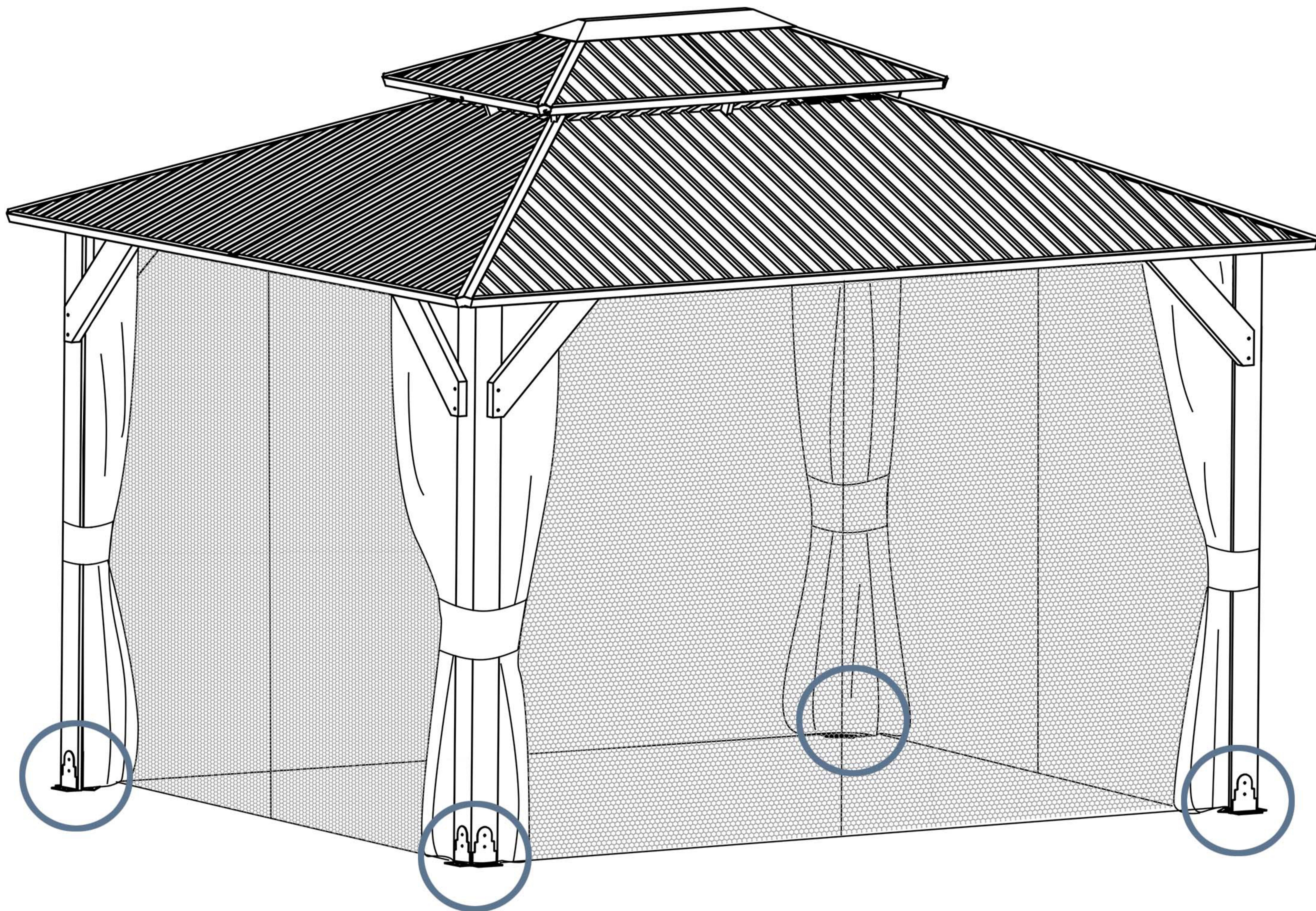
# STEP 23

Parts required

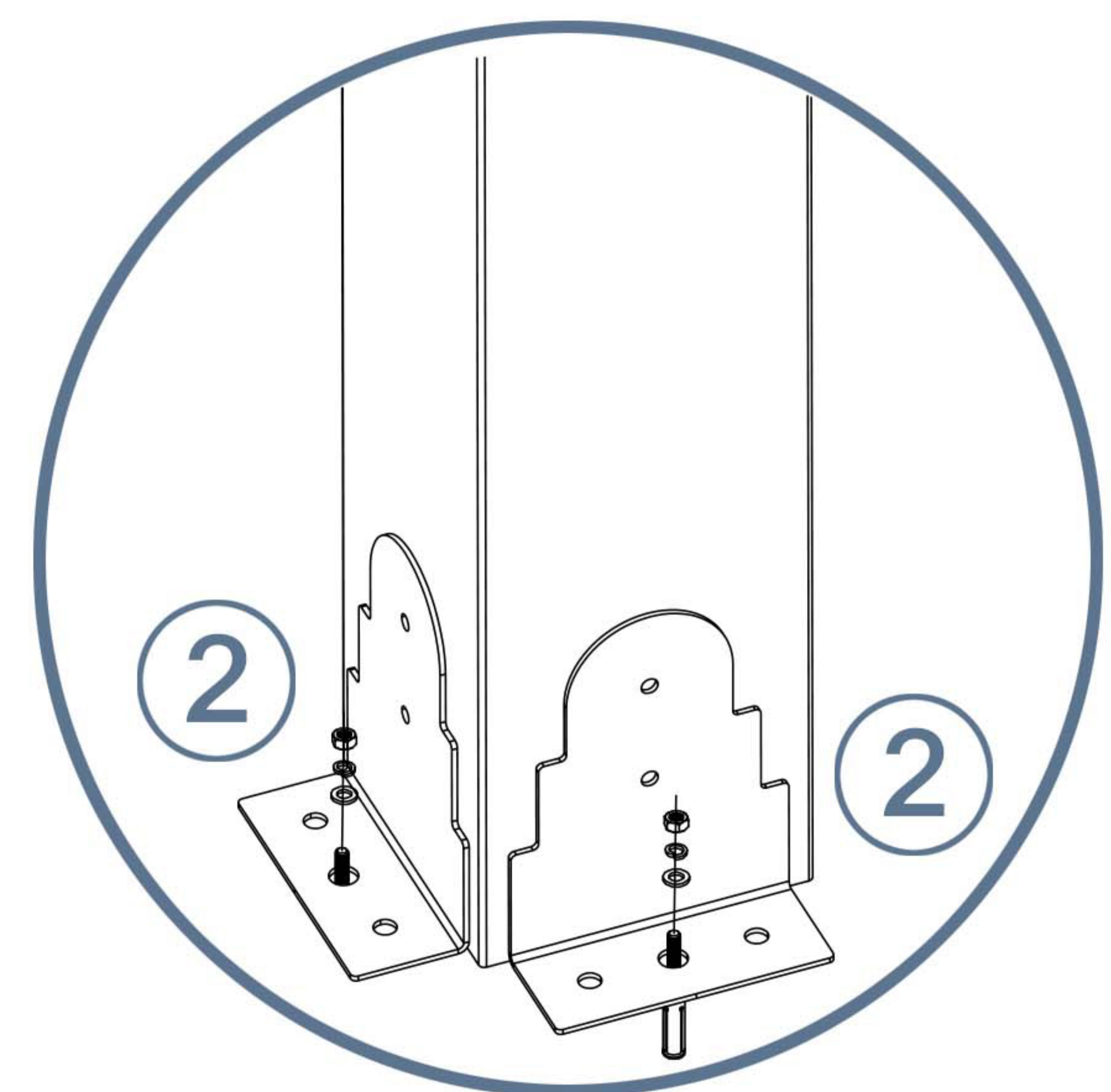


② 8pcs

To improve stability of gazebo, expansion screws very necessary. Expansion screws use for cement surfaces and have included in the package.



!!! For safety's stake, please check and make sure that all screws are tightened after all installation is complete.



## Installation Completed

Please take care of the screws and contact the after-sales service if there is any problem with the installation or parts.



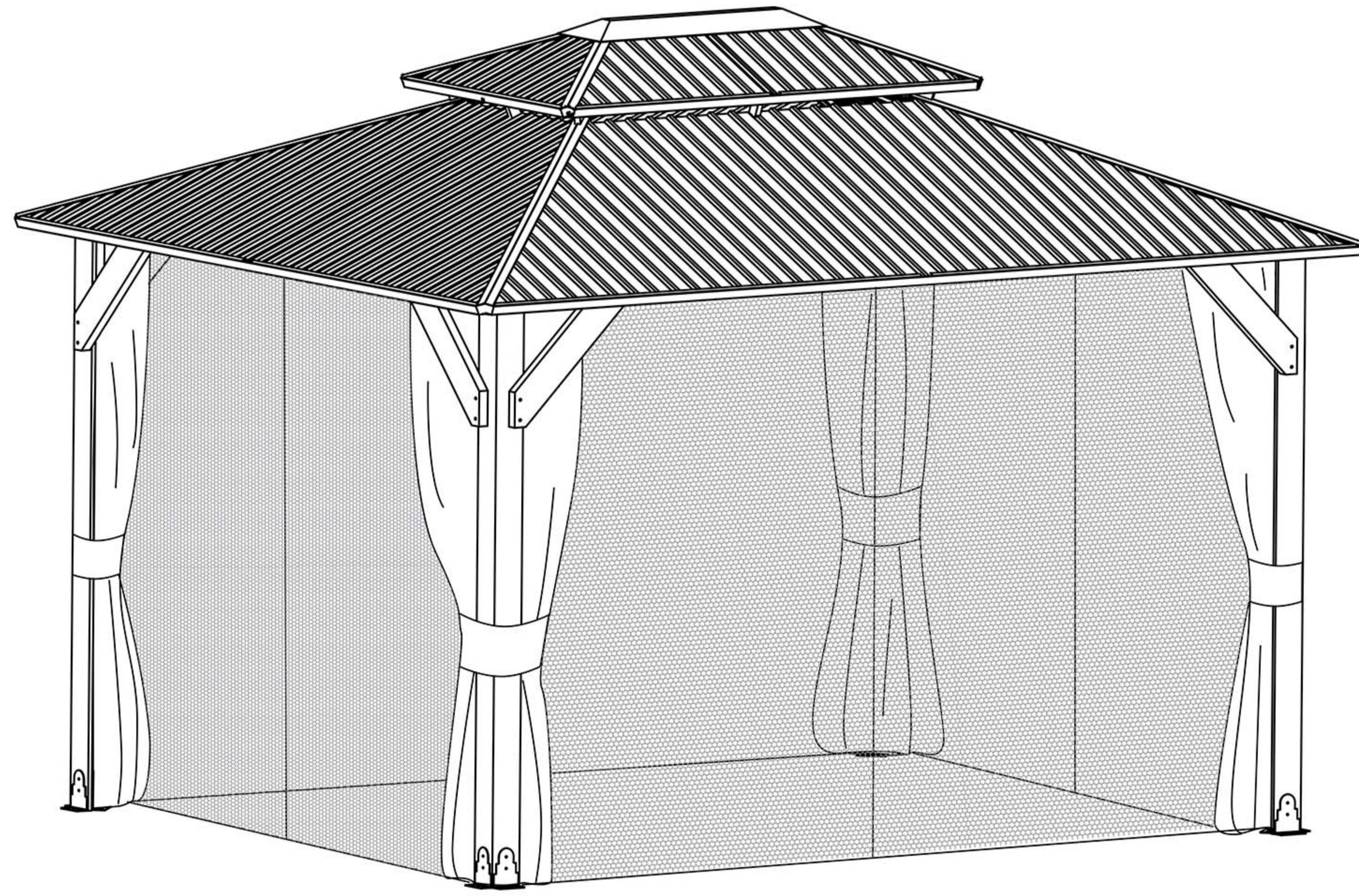
**Hope you enjoy this product.**

If you have any concerns about gazebo Installation, please feel free to contact us. We will reply within 24 hours.



E-mail: [cs.helper01@gmail.com](mailto:cs.helper01@gmail.com)

10X12FT



SKU:A001G053-1  
A001G053-2  
A001G053-3