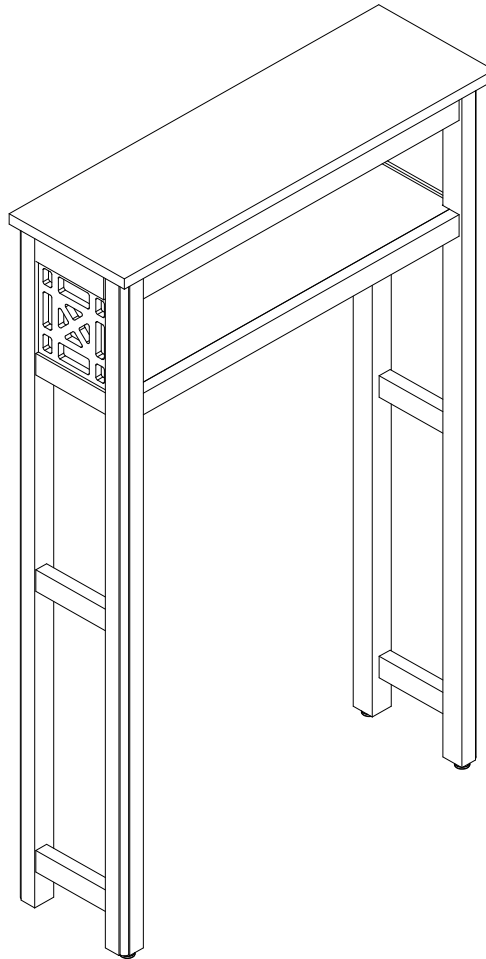


ASSEMBLY INSTRUCTIONS

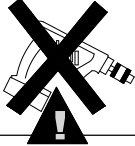
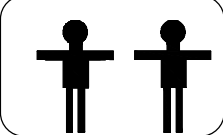

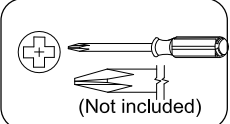
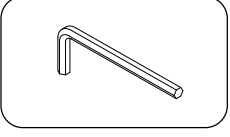
Over Toilet Open Storage Shelf



REPLACEMENT PARTS

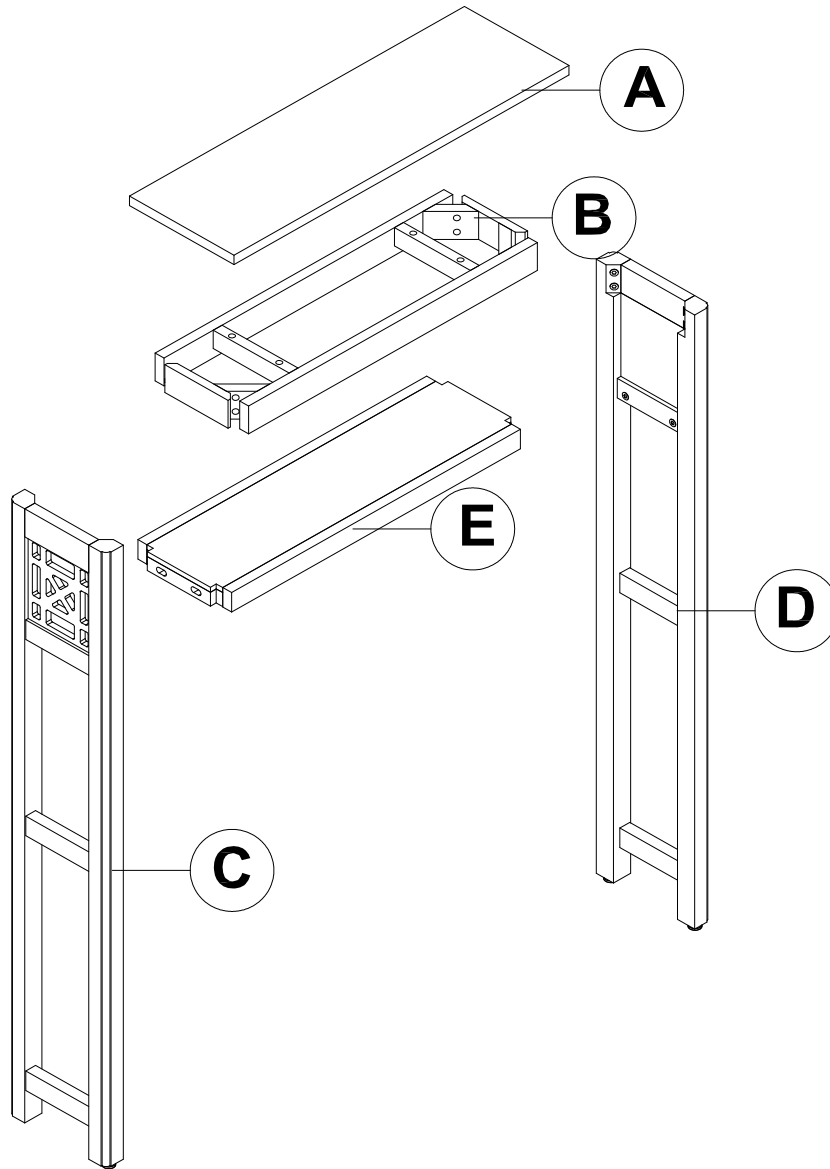
Please do not contact the company purchased from as we can help you faster.

Order replacement parts and hardware at "boltonfurniture.com"

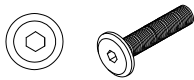
 <p>. Use of power tool to assemble this product will invalidate any claim and damage this product making it unsafe!!! . Please assemble on a clean soft surface to avoid damage.</p>	 <p>+</p>  <p>50 minutes</p>	<p>Tool Included</p>  <p>(Not included)</p> 
--	---	---

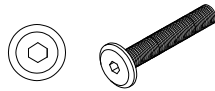
www.boltonfurniture.com

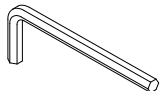
Part List- Over Toilet Open Storage Shelf

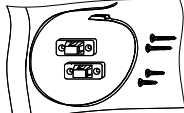


Identifying the hardware-Identify the hardware using the illustrations below.

F  **04**
M6X45mm


G  **12**
M6X60mm

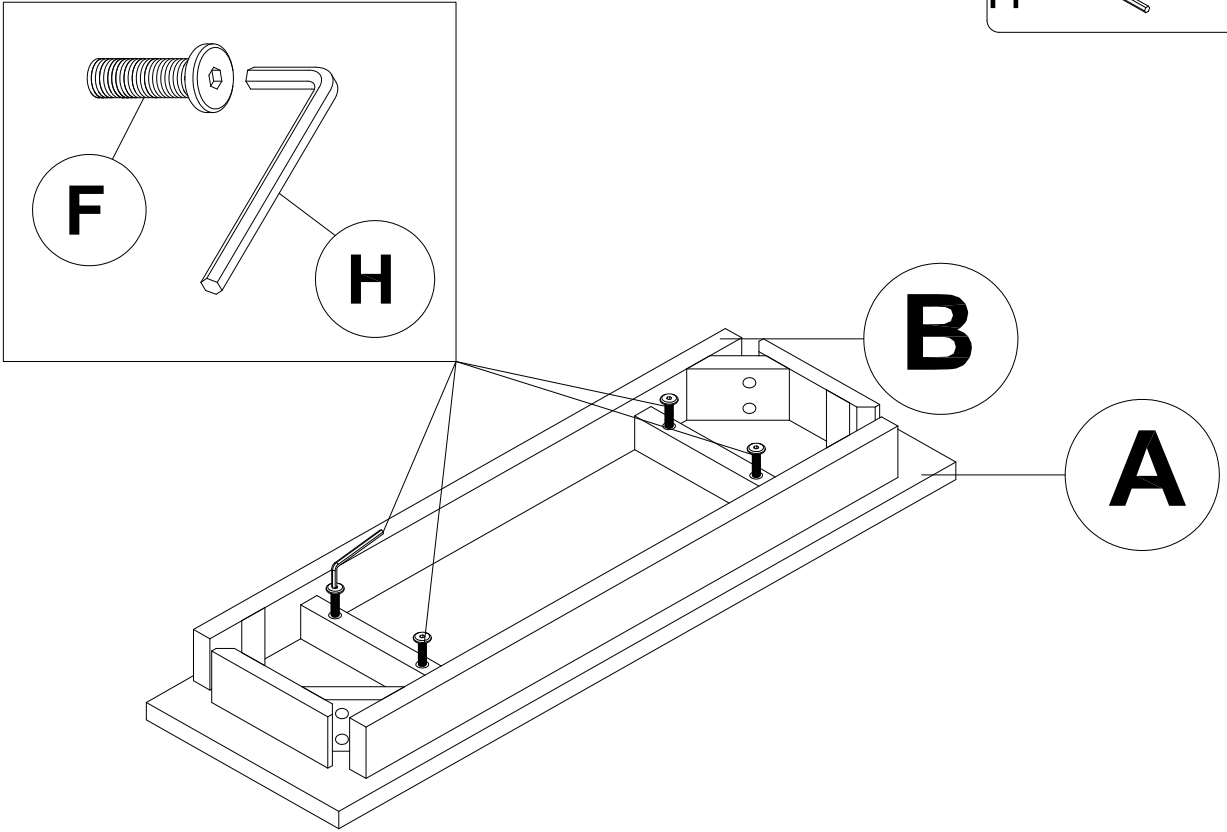
H  **01**

I  **01**
Anti-Tip Bag

Step 1


F  04
M6X45mm

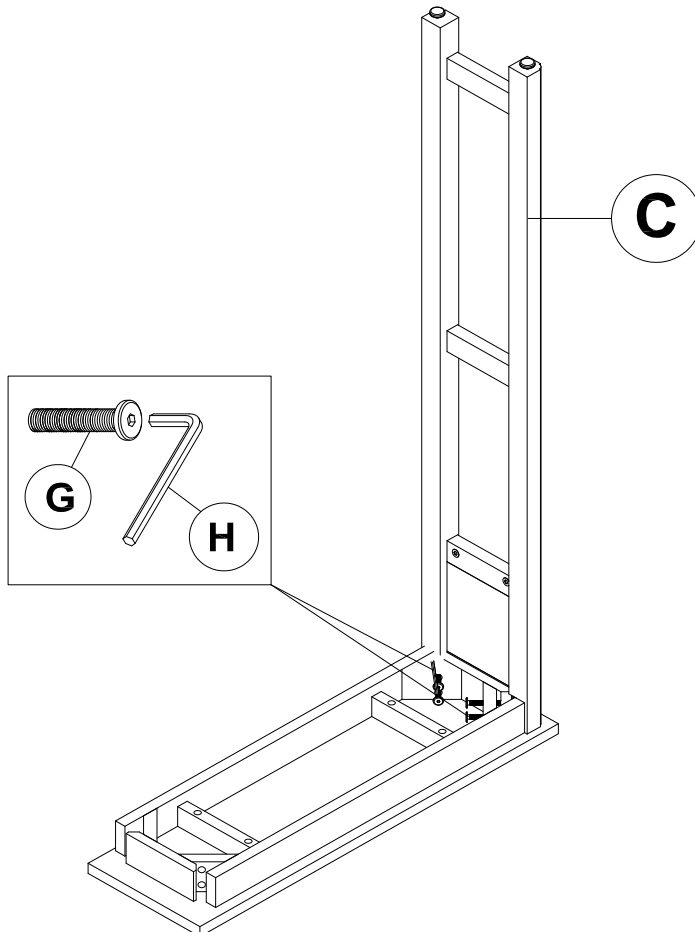
H  01



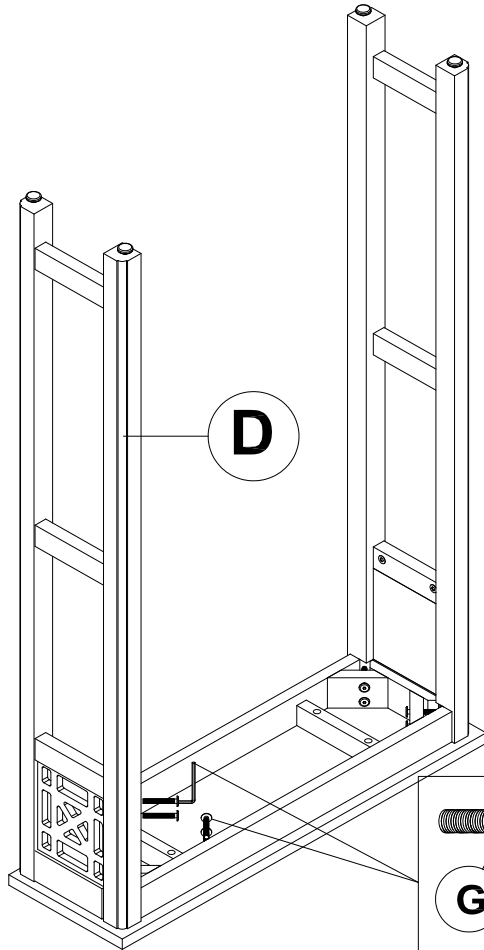
Step 2

G  04
M6X60mm

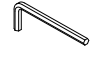
H  01

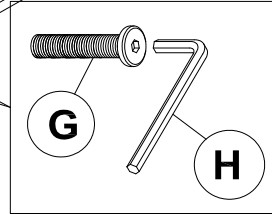


Step 3

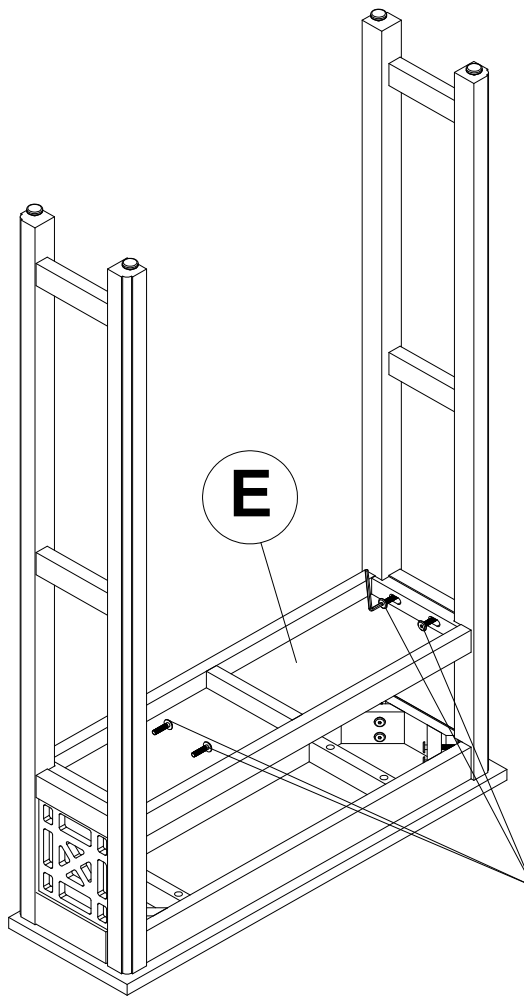



G  04
M6X60mm


H  01

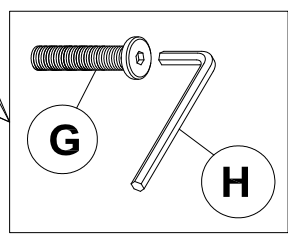


Step 4:


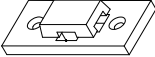

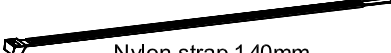


G  04
M6X60mm

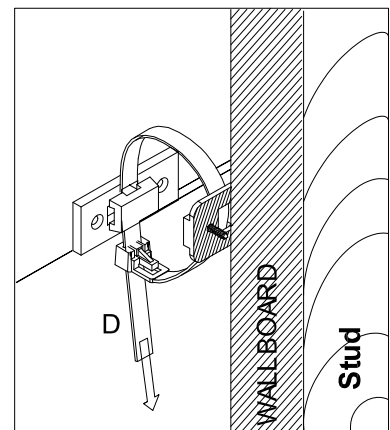
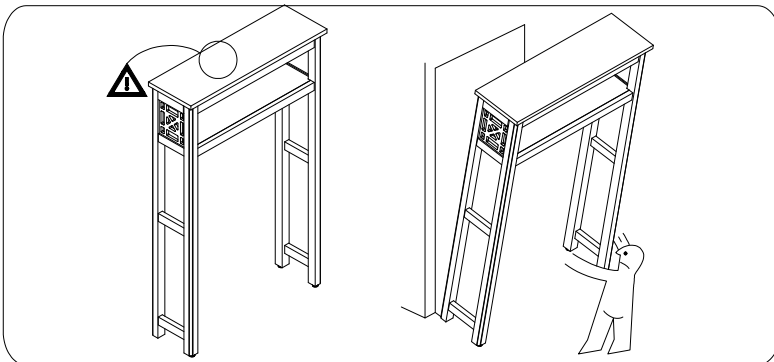
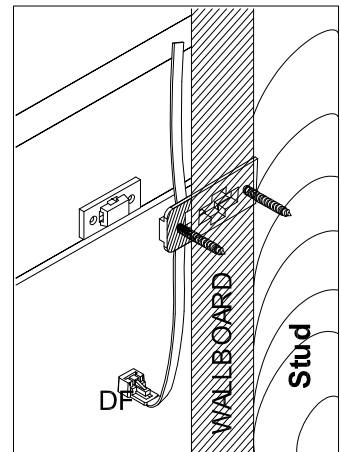
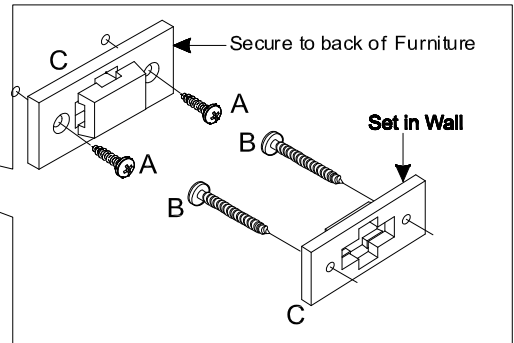
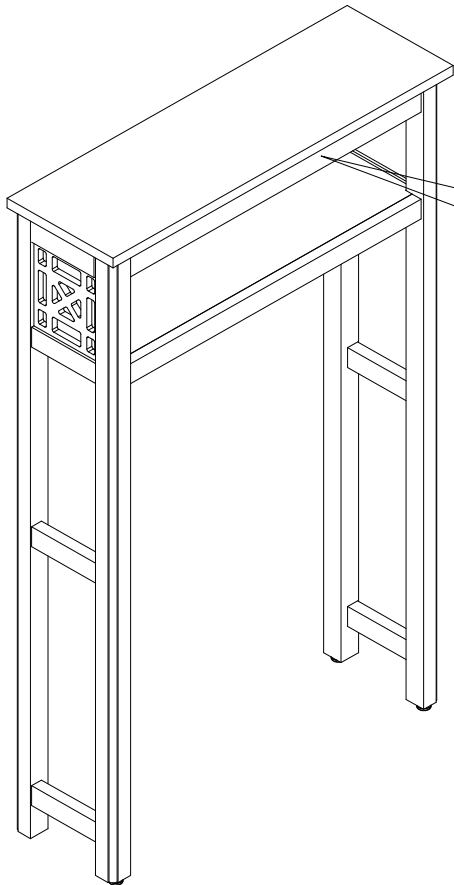
H  01



"I" Anti-Tip Bag

A	 4x14 Screw	02	C	 Plastic wall bracket	02
B	 4x35 Screw	02	D	 Nylon strap 140mm	01

Secure to Stud Behind Wallboard



Secure to Stud behind Wallboard!