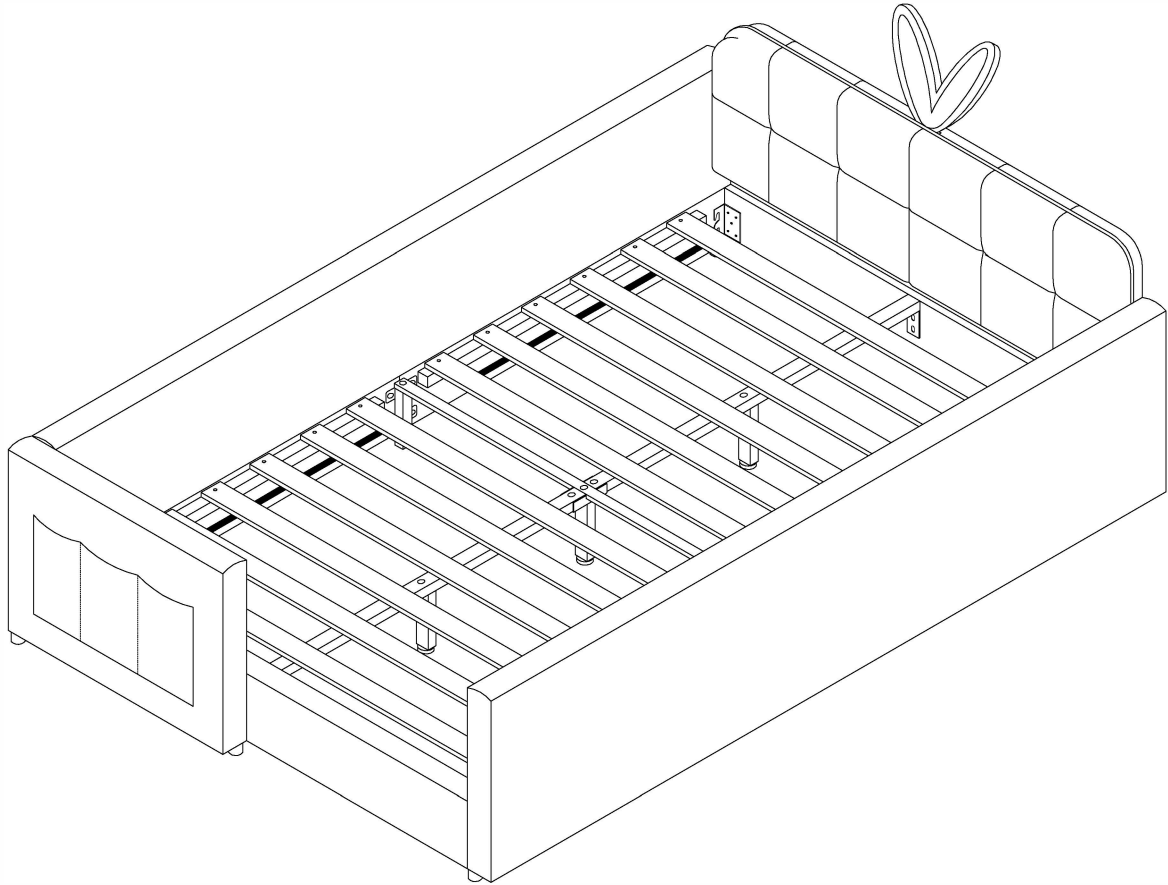
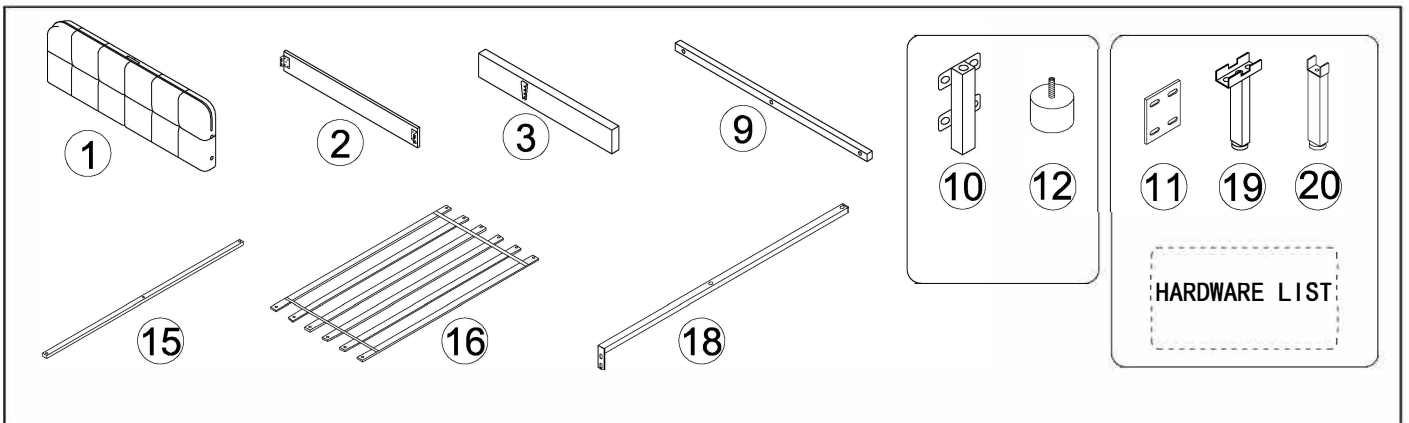


ASSEMBLY INSTRUCTION

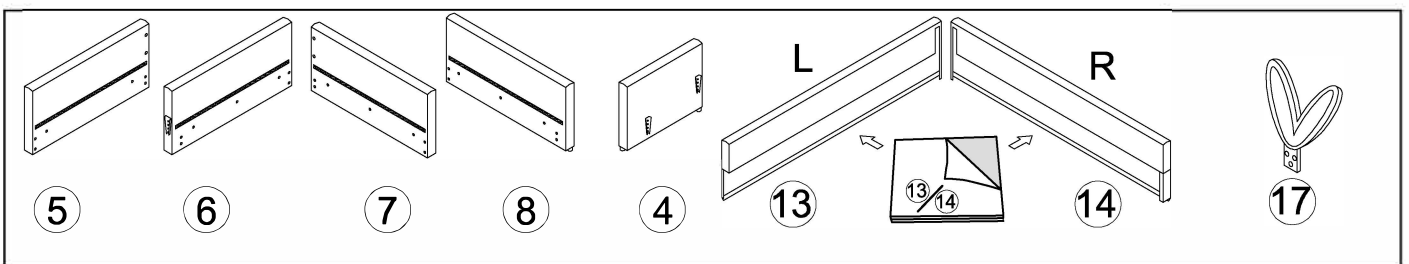


STEP :Packing Details

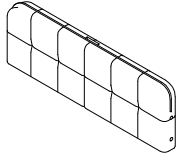
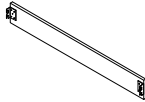
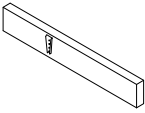
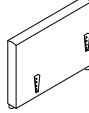
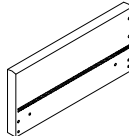
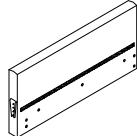
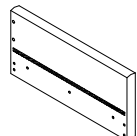
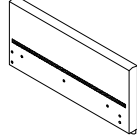
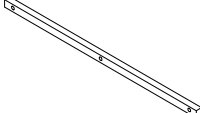

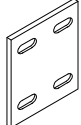

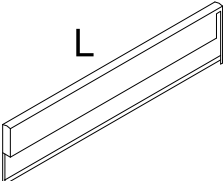
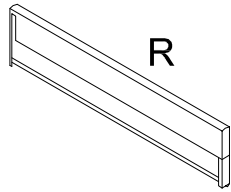
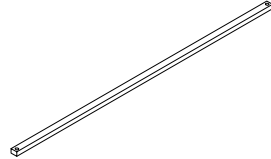
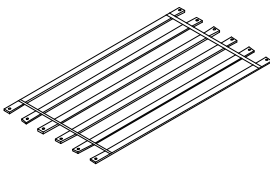

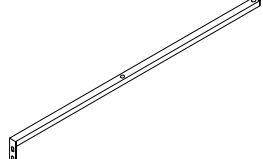
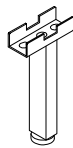

BOX A




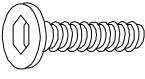
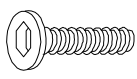


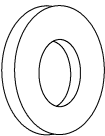
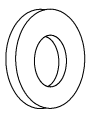


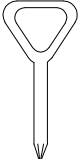
BOX B



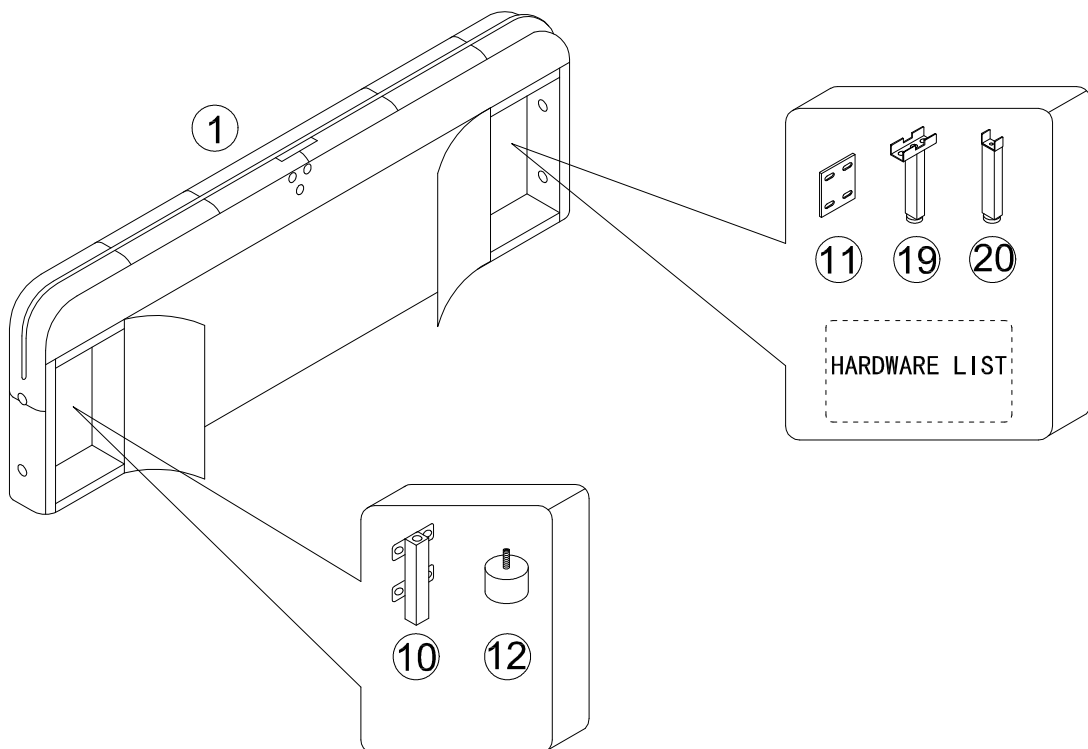
PARTS LIST

<p>① Headboard</p>  <p style="text-align: center; border: 1px solid black; padding: 2px;">1PC</p>	<p>② HB crossboard</p>  <p style="text-align: center; border: 1px solid black; padding: 2px;">1PC</p>	<p>③ Footboard</p>  <p style="text-align: center; border: 1px solid black; padding: 2px;">1PC</p>	<p>④ FB Side Rail</p>  <p style="text-align: center; border: 1px solid black; padding: 2px;">1PC</p>
<p>⑤ HB Side Rail -L</p>  <p style="text-align: center; border: 1px solid black; padding: 2px;">1PC</p>	<p>⑥ FB Side Rail -L</p>  <p style="text-align: center; border: 1px solid black; padding: 2px;">1PC</p>	<p>⑦ HB Side Rail -R</p>  <p style="text-align: center; border: 1px solid black; padding: 2px;">1PC</p>	<p>⑧ FB Side Rail -R</p>  <p style="text-align: center; border: 1px solid black; padding: 2px;">1PC</p>
<p>⑨ Side rail support</p>  <p style="text-align: center; border: 1px solid black; padding: 2px;">4PCS</p>	<p>⑩ Side rail feet</p>  <p style="text-align: center; border: 1px solid black; padding: 2px;">2PCS</p>	<p>⑪ Iron Plate</p>  <p style="text-align: center; border: 1px solid black; padding: 2px;">4PCS</p>	<p>⑫ Bed Leg</p>  <p style="text-align: center; border: 1px solid black; padding: 2px;">6PCS</p>
<p>⑬ Side-rail jacket L</p>  <p style="text-align: center; border: 1px solid black; padding: 2px;">1PC</p>	<p>⑭ Side-rail jacket R</p>  <p style="text-align: center; border: 1px solid black; padding: 2px;">1PC</p>	<p>⑮ Center cross bar</p>  <p style="text-align: center; border: 1px solid black; padding: 2px;">1PC</p>	<p>⑯ Slat</p>  <p style="text-align: center; border: 1px solid black; padding: 2px;">2SET</p>
<p>⑰ HB</p>  <p style="text-align: center; border: 1px solid black; padding: 2px;">1PC</p>	<p>⑱ Center support rail</p>  <p style="text-align: center; border: 1px solid black; padding: 2px;">2PCS</p>	<p>⑲ Center Support Leg</p>  <p style="text-align: center; border: 1px solid black; padding: 2px;">1PC</p>	<p>⑳ Support Leg</p>  <p style="text-align: center; border: 1px solid black; padding: 2px;">2PCS</p>

HARDWARE LIST

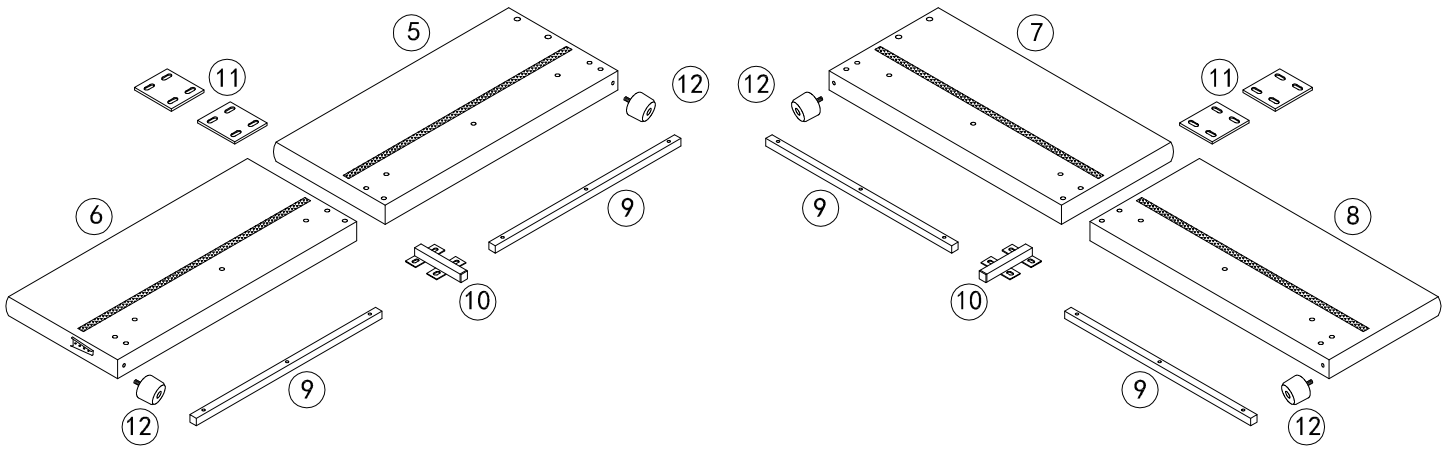
<p>A Screw</p>  <p>m8*50mm 4PCS</p>	<p>B Screw</p>  <p>m8*30mm 43PCS</p>	<p>C Screw</p>  <p>m6*45mm 15PCS</p>	<p>D Screw</p>  <p>M4*30mm 24PCS</p>
<p>E Lock Washer</p>  <p>m8*13mm 47PCS</p>	<p>F Flat Washer</p>  <p>m8*19mm 47PCS</p>	<p>G Flat Washer</p>  <p>m6*16mm 15PCS</p>	<p>H Inner allen wrench</p>  <p>M8 1PC</p>
<p>I Inner allen wrench</p>  <p>M6 1PC</p>	<p>J Screwdriver</p>  <p>M8 1PC</p>		

STEP :Packing Details

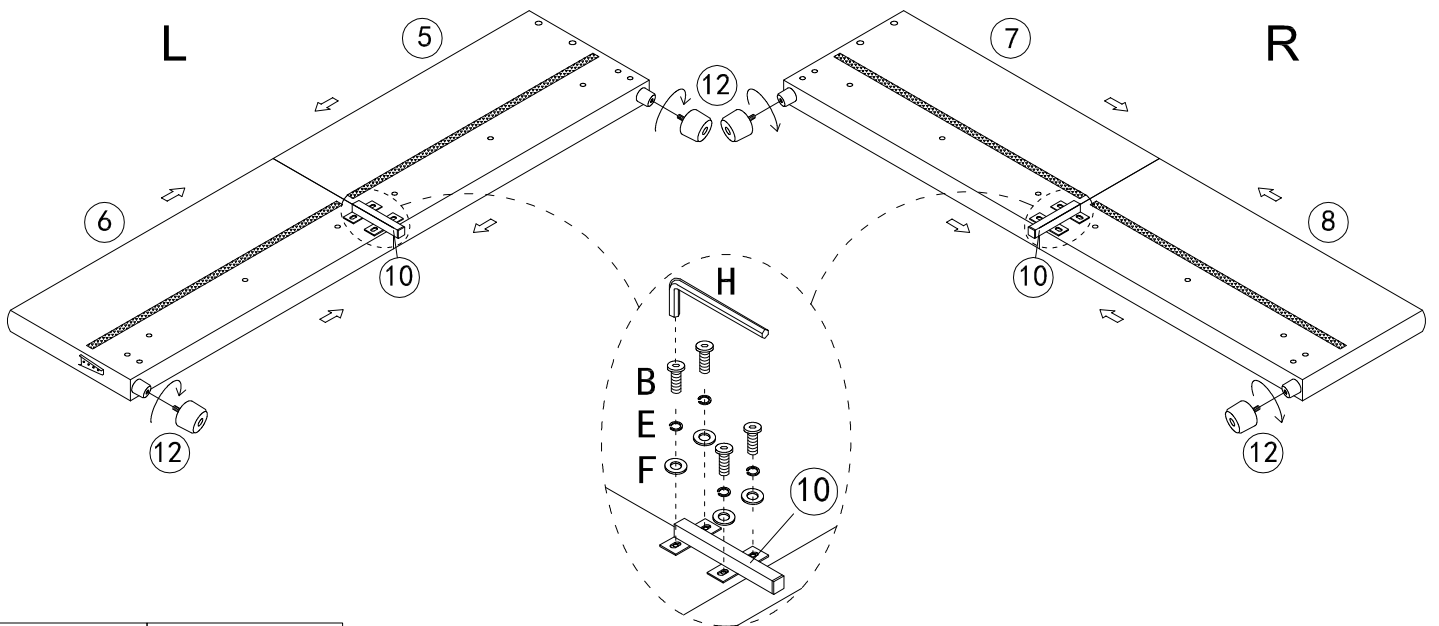






Assembly Steps

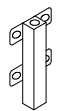

STEP 1:



STEP 2:

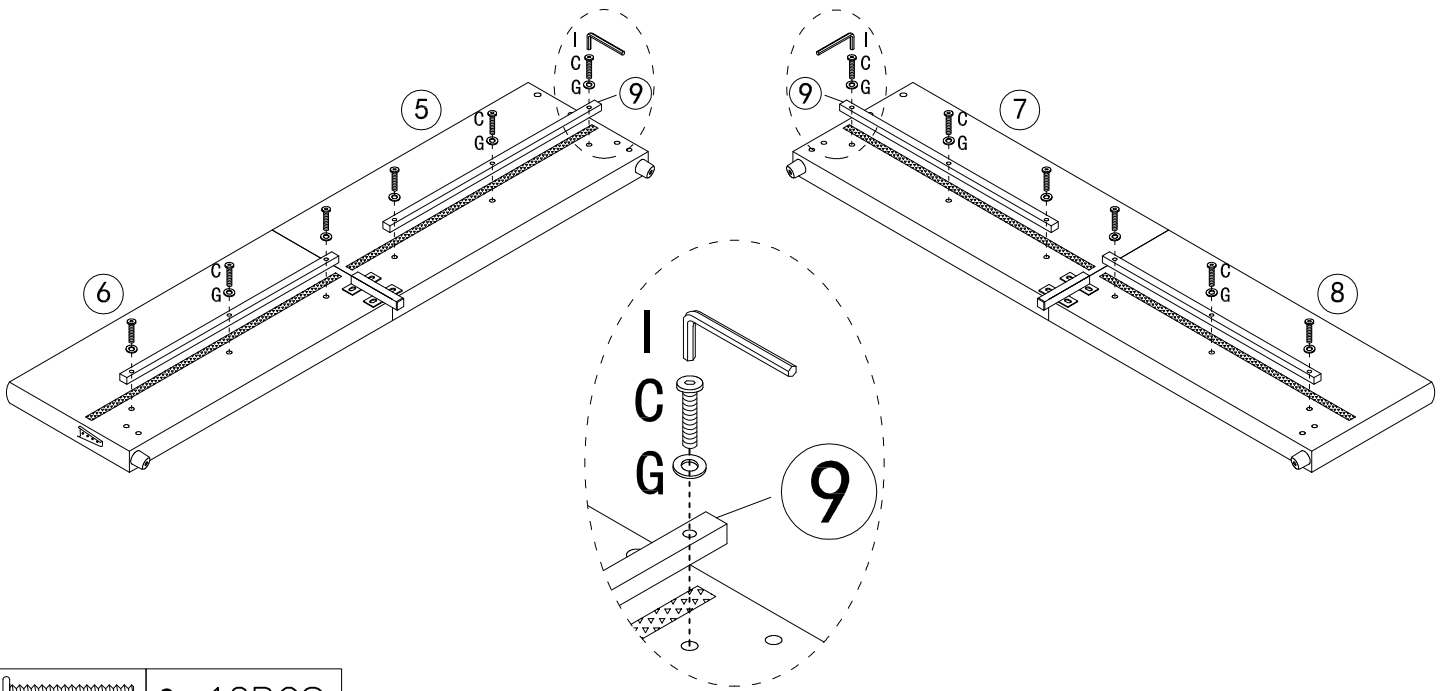





	B x 8PCS
	H x 1PC
	E x 8PCS
	F x 8PCS

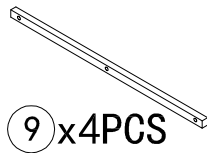
	⑩x2PCS
	⑫x4PCS

Assembly Steps

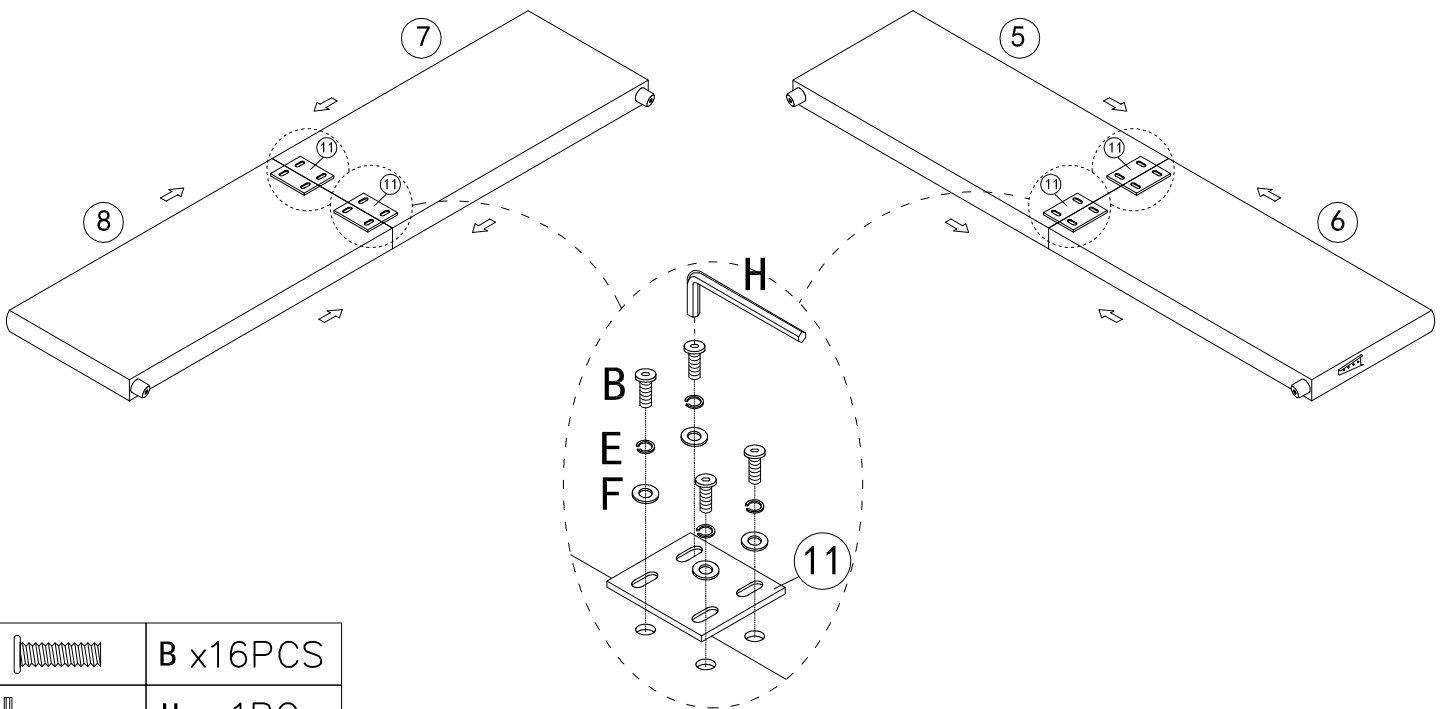
STEP 3:







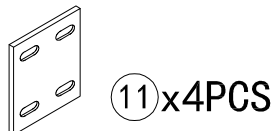
	C x12PCS
	I x 1PC
	G x12PCS



STEP 4:

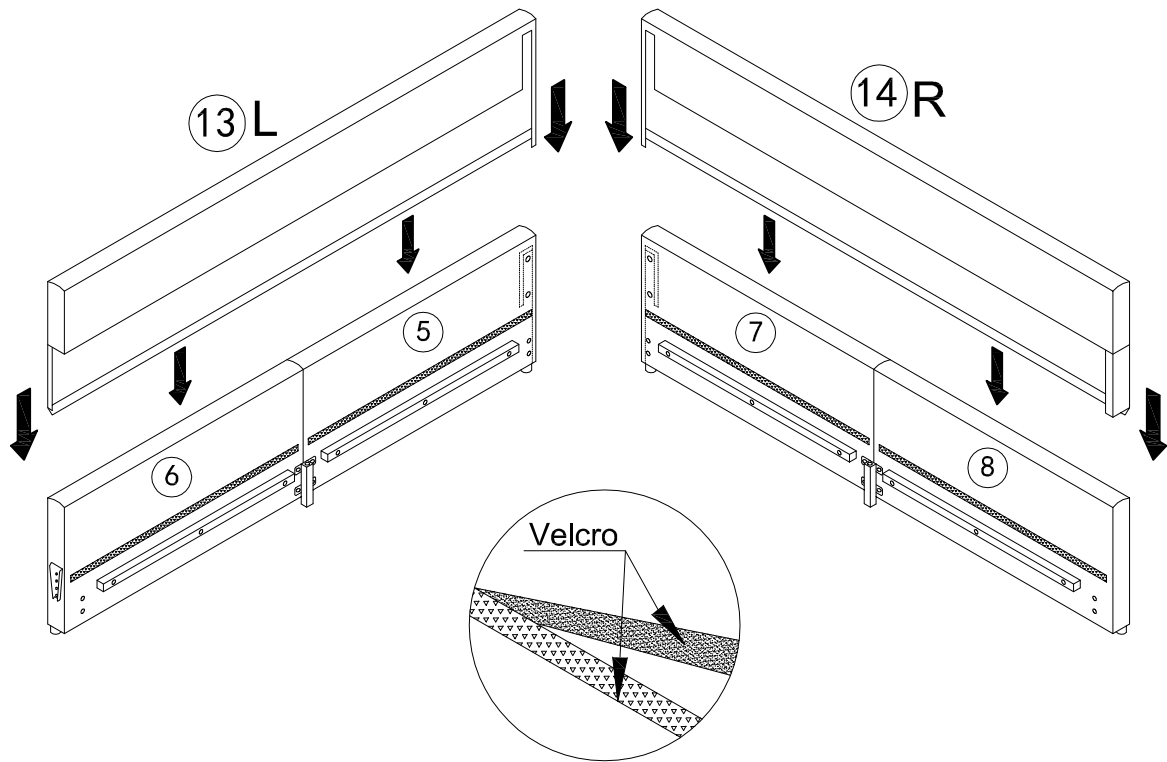


	B x16PCS
	H x 1PC
	E x16PCS
	F x16PCS

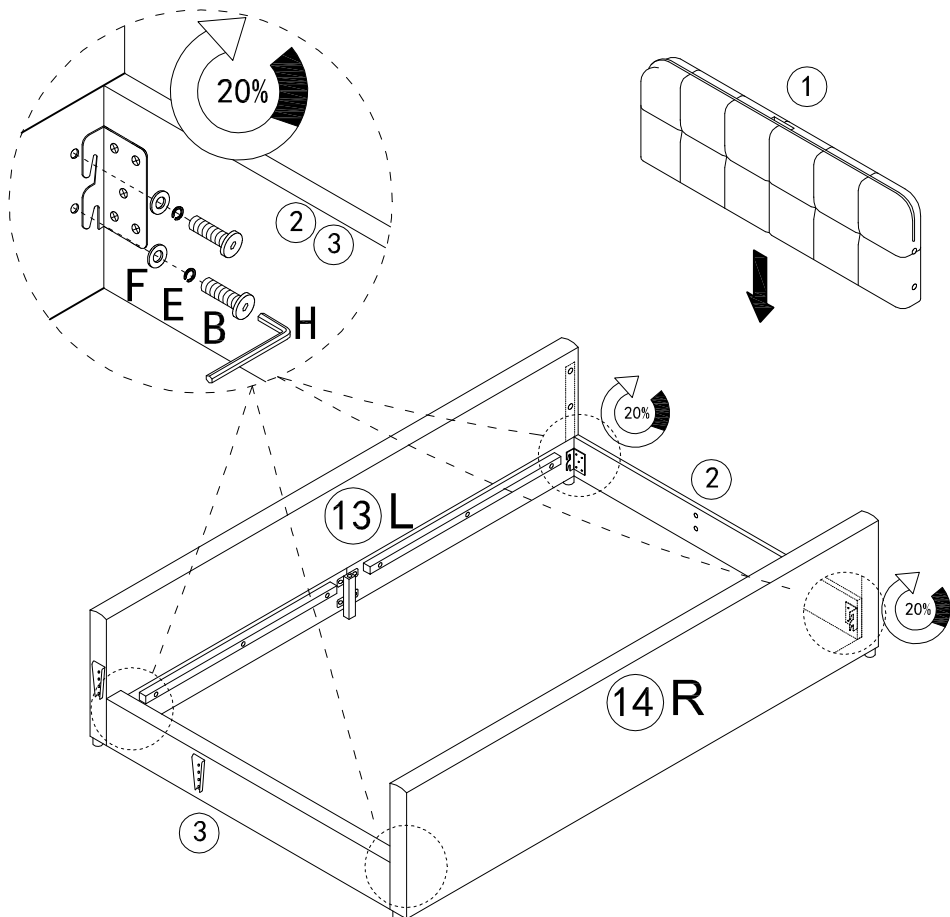






Assembly Steps

STEP 5:



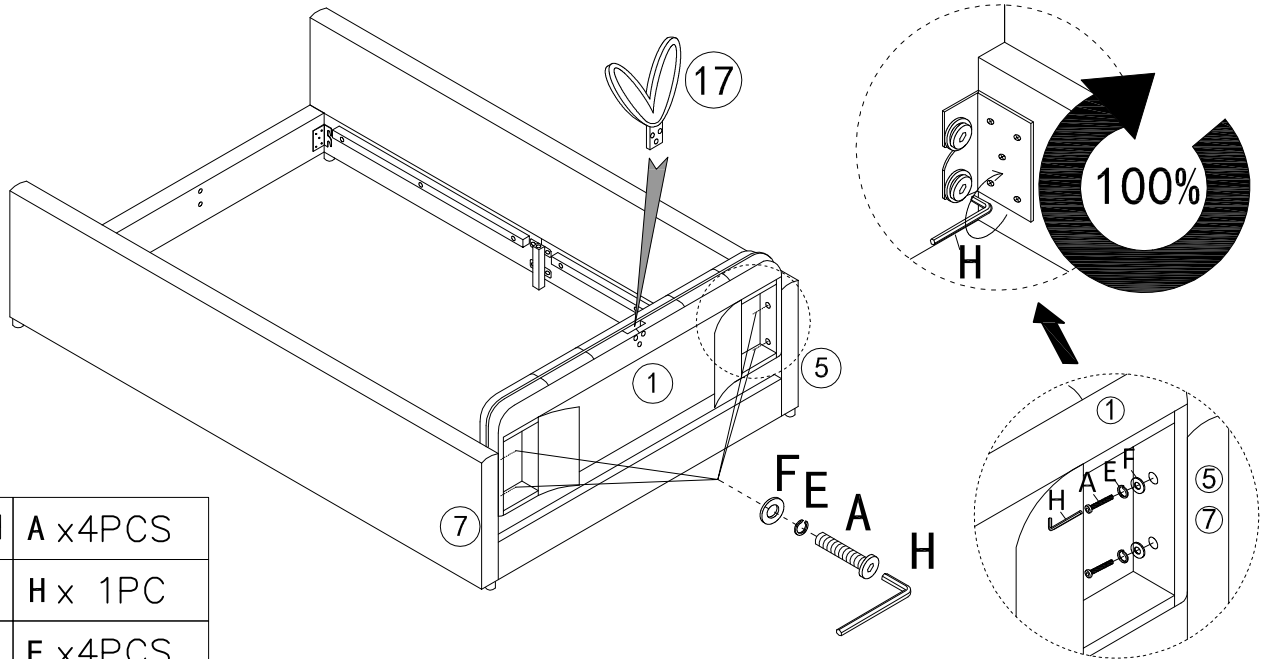
STEP 6:







	B x8PCS
	H x 1PC
	E x8PCS
	F x8PCS

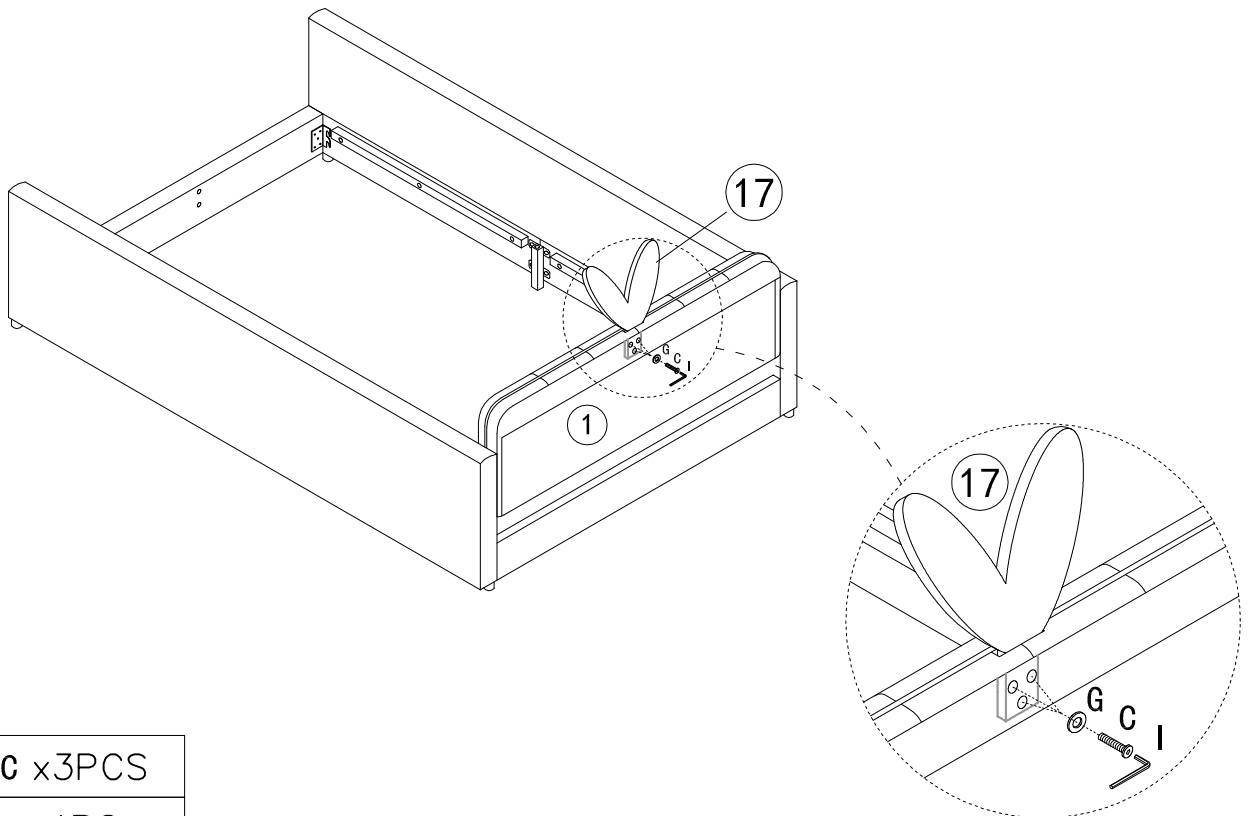
Assembly Steps




STEP 7:



	A x4PCS
	H x 1PC
	E x4PCS
	F x4PCS

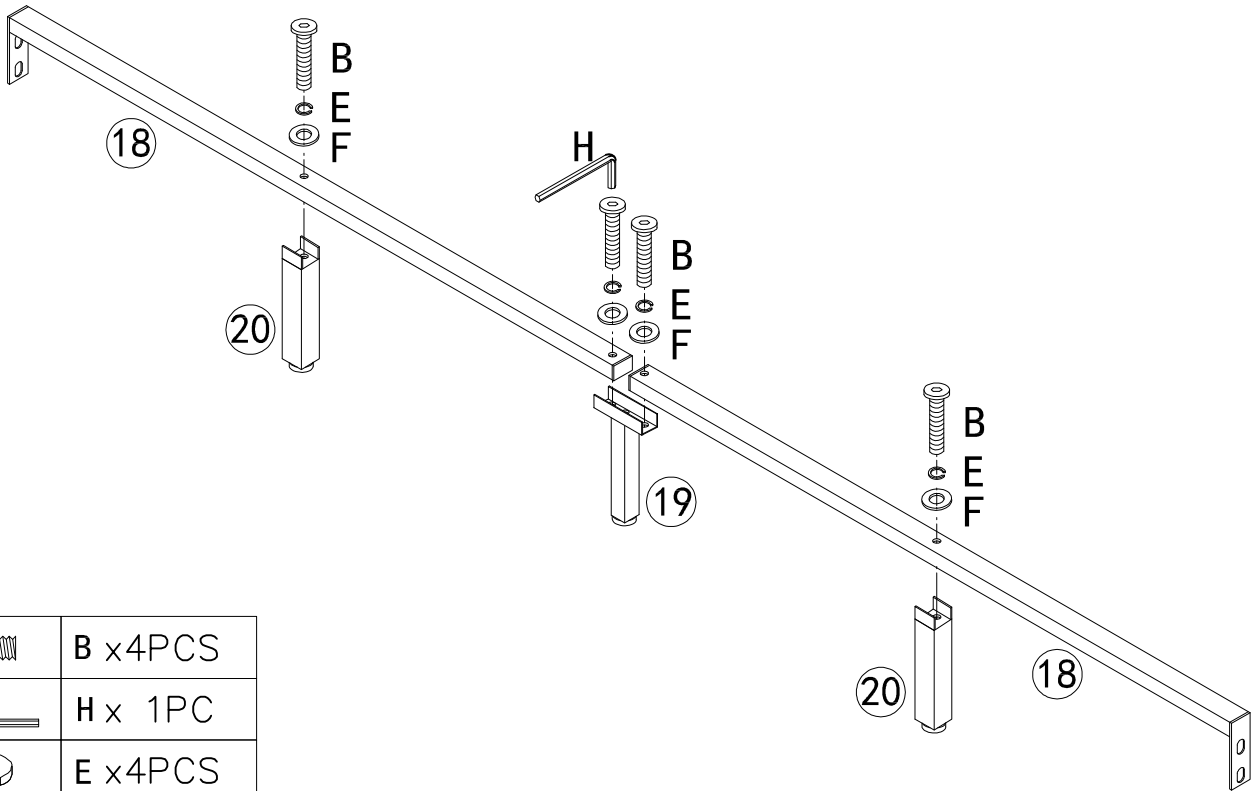
STEP 8:







	C x3PCS
	I x1PC
	G x3PCS

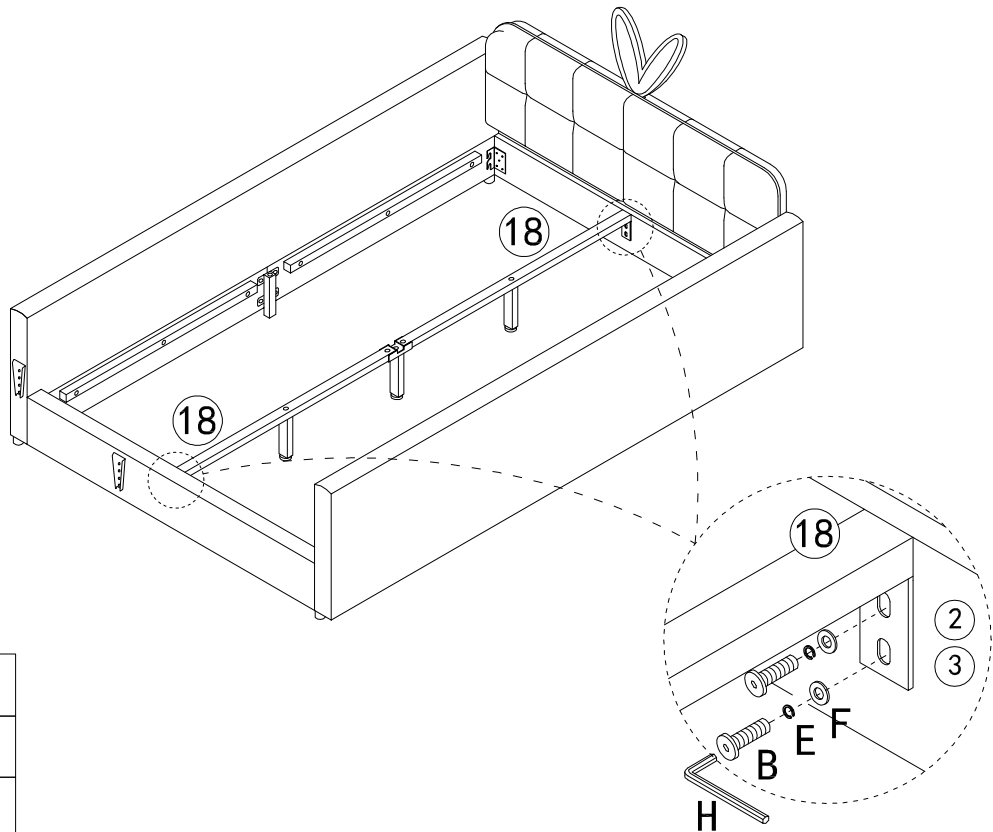
Assembly Steps





STEP 9:



	B x4PCS
	H x 1PC
	E x4PCS
	F x4PCS

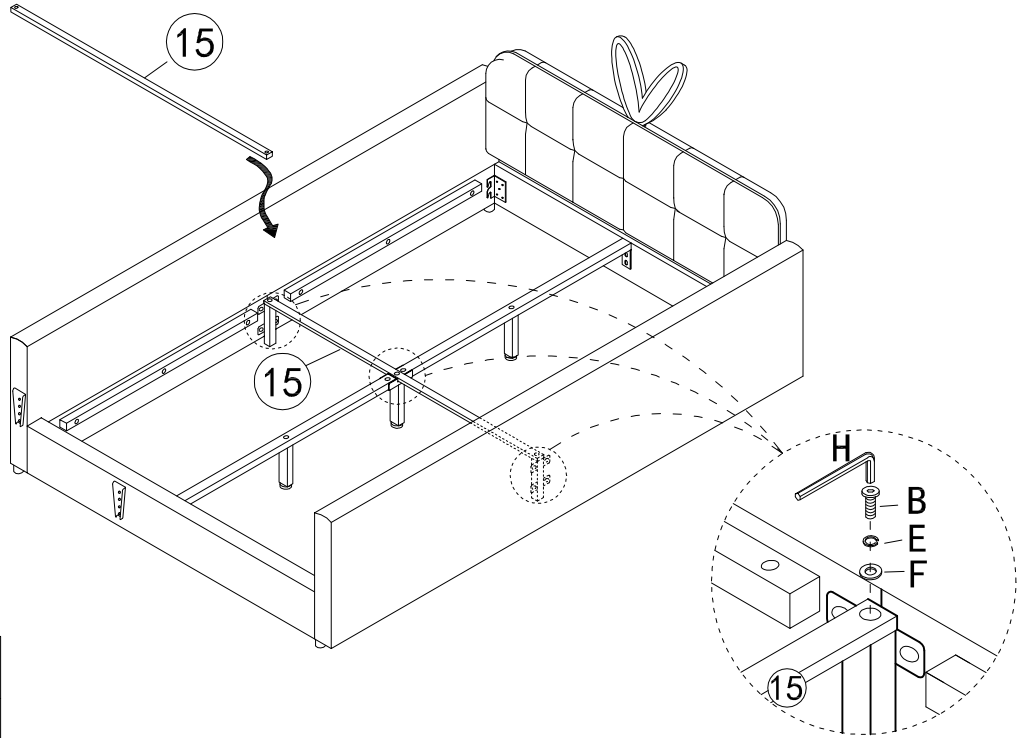
STEP 10:







	B x4PCS
	H x 1PC
	E x4PCS
	F x4PCS

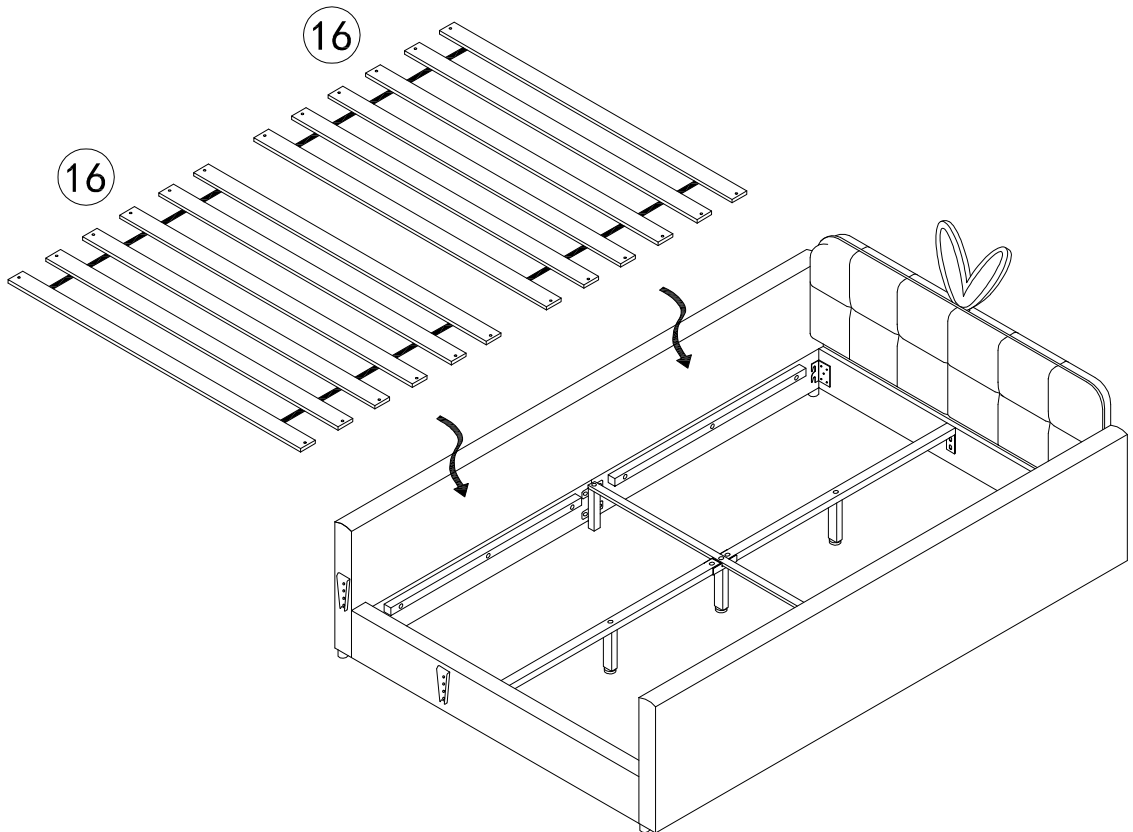
Assembly Steps

STEP 11:



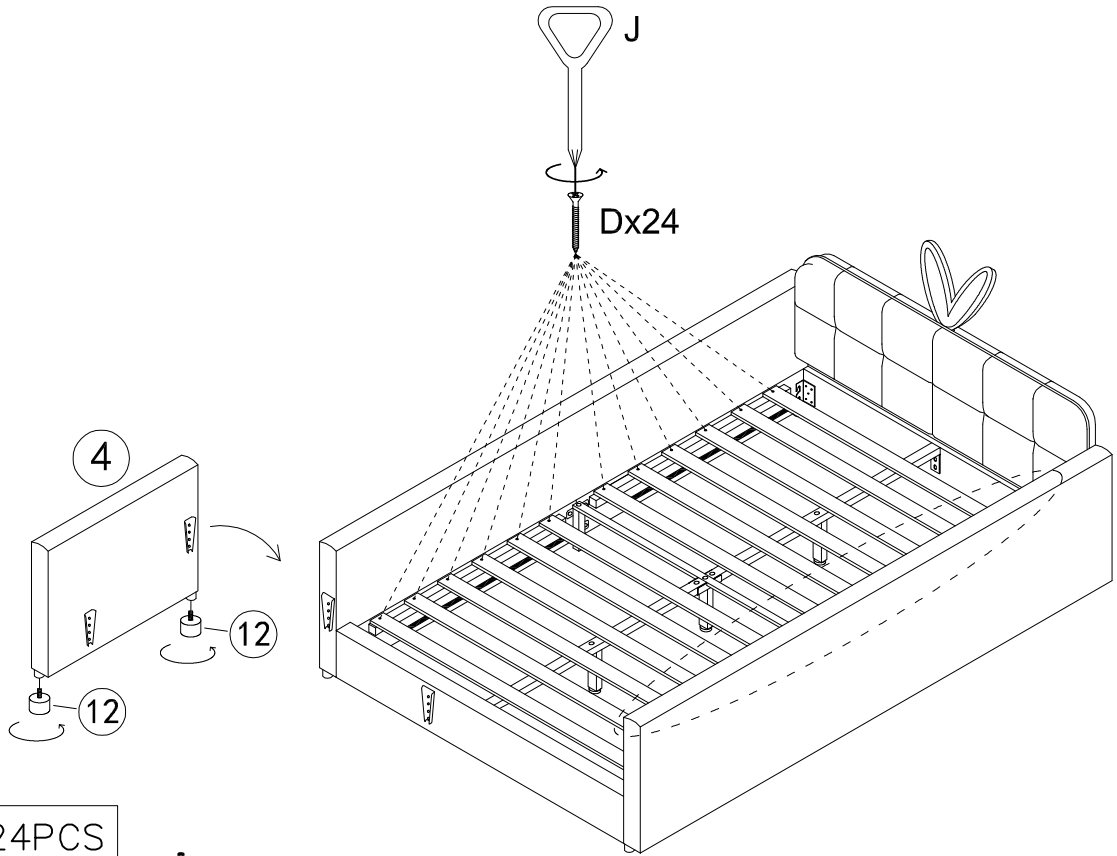
	B x3PCS
	H x 1PC
	E x3PCS
	F x3PCS


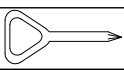
STEP 12:




Assembly Steps

STEP 13:



	D x24PCS
	J x1PC

 12x2PCS

STEP 14:

