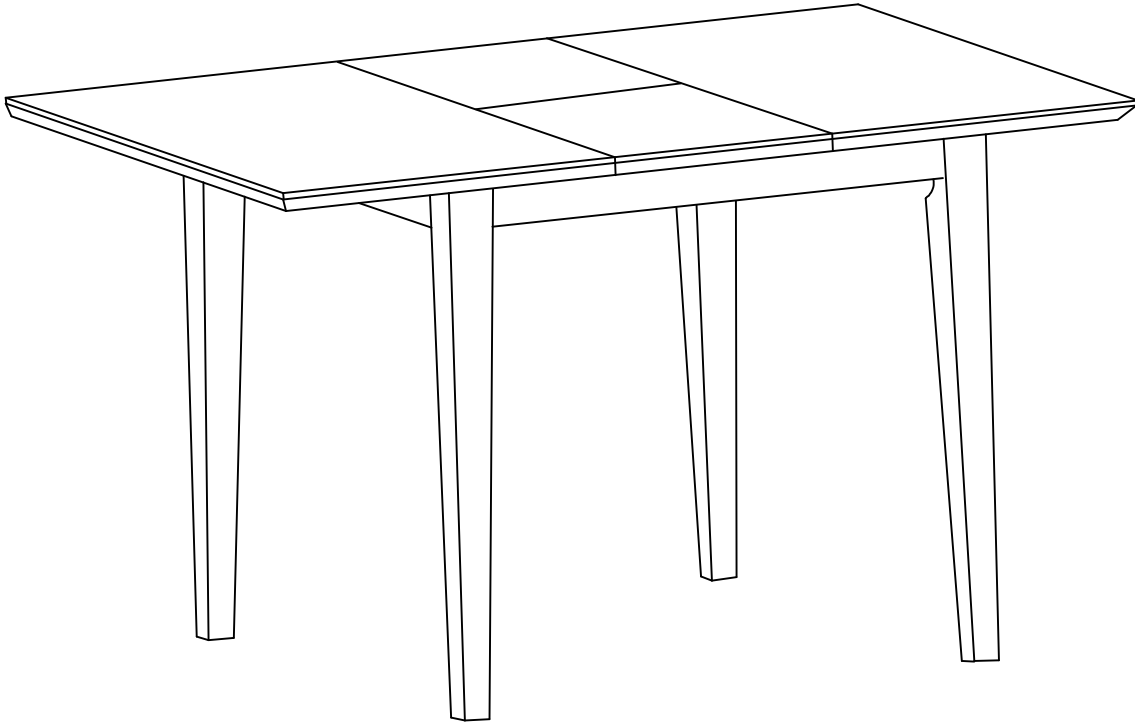


# ASSEMBLY INSTRUCTIONS

---



---

Description : BUTTERFLY LEAF TABLE  
Item No. : T-3248XBT AND T-3636XBT

## BEFORE ASSEMBLY

Thank you for purchasing this quality product. This product has been designed for easy assembly and constructed for durability. All parts were checked prior to packaging to insure quality. Prior to beginning assembly, however, make sure all parts and hardware are included and free of obvious defect. If a part is missing or defective, please contact the store where purchased. If hardware is missing, or you need help with assembly, please call toll free 888-944-8396.

**IMPORTANT NOTE:**

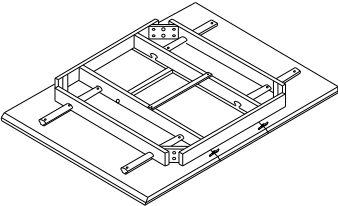
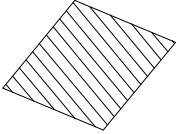
- Place all wooden parts on a clean and smooth surface such as a rug or carpet to avoid the parts from being scratched.
- Remove all wrapping material, including staples & packing straps before you start to assemble.
- DO NOT tighten all screws and bolts until completely assembled.
- Keep all hardware parts out of reach of children.

**WARNING:**

Long exposure to rubber or soft plastic may cause a chemical reaction and damage the finish of your table. Protect the surface of the table with cloth if you are using any product with rubber feet or base.

## PART LIST

When unpacking, please be careful not to discard any parts with the packaging. Before continuing, please make sure you have the following parts:

NO	Description	Qty	Sketch	NO	Description	Qty	Sketch
A	TOP	1		B	PLYWOOD- GAUGE-3MM	1	

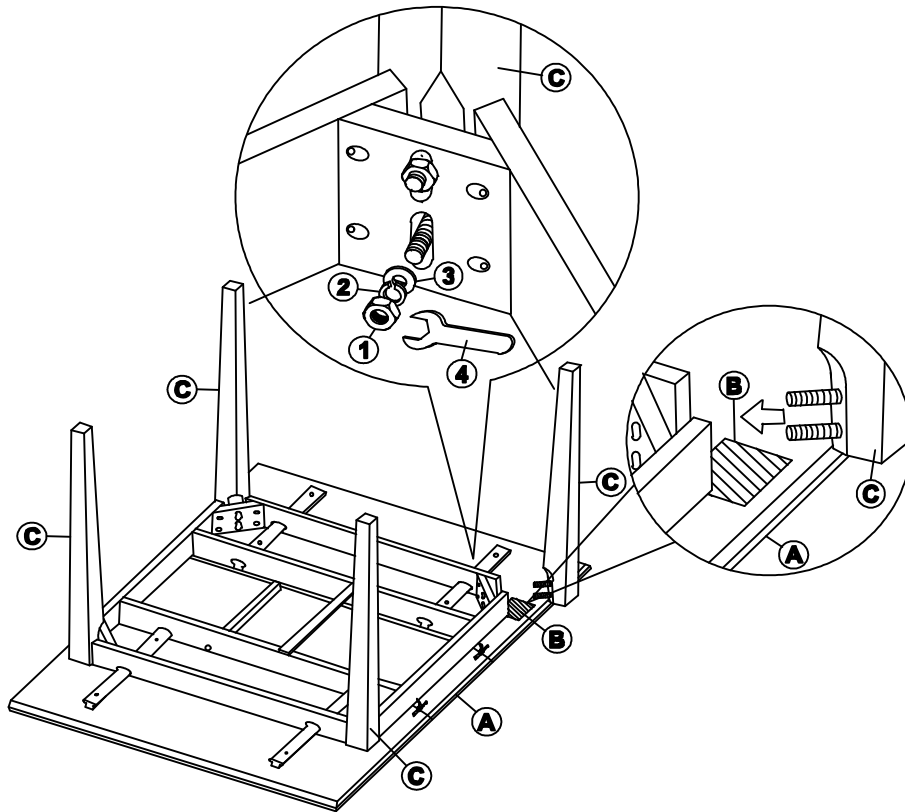
**NOTE:**

**THIS ASSEMBLY INSTRUCTION IS TO ASSIST YOU ON HOW TO PLACE THE LEGS IN POSITION WITH THE TOP FOR THE ASSEMBLY PROCESS BY USING THE GAUGE CORRECTLY.**

**THE GAUGE HAS TO BE REMOVED AFTER EACH LEG IS SECURELY TIGHTENED. USE THE GAUGE TO ATTACH EACH AND EVERY LEG.**

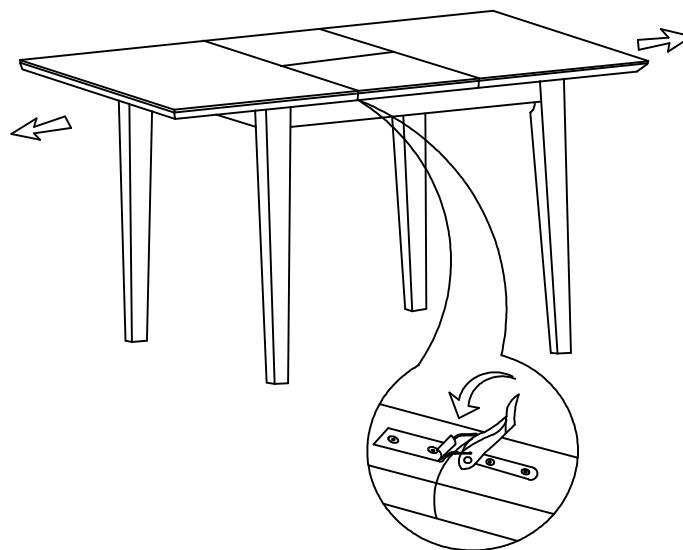
## STEP 1

Place the plywood gauge (B) on the top (A) as shown below and attach each leg (using the gauge) with washers (3) and (2), and nuts (1). Tighten with the wrench (4).



## STEP 2

Unlock the table top from both sides underneath the top as shown below. Pull the 2 parts of the table top apart.



### STEP 3

Place the leaves in the center of the open table top. Push the table top closed. Lock the mechanism underneath 2 sides of the table top as shown below.

