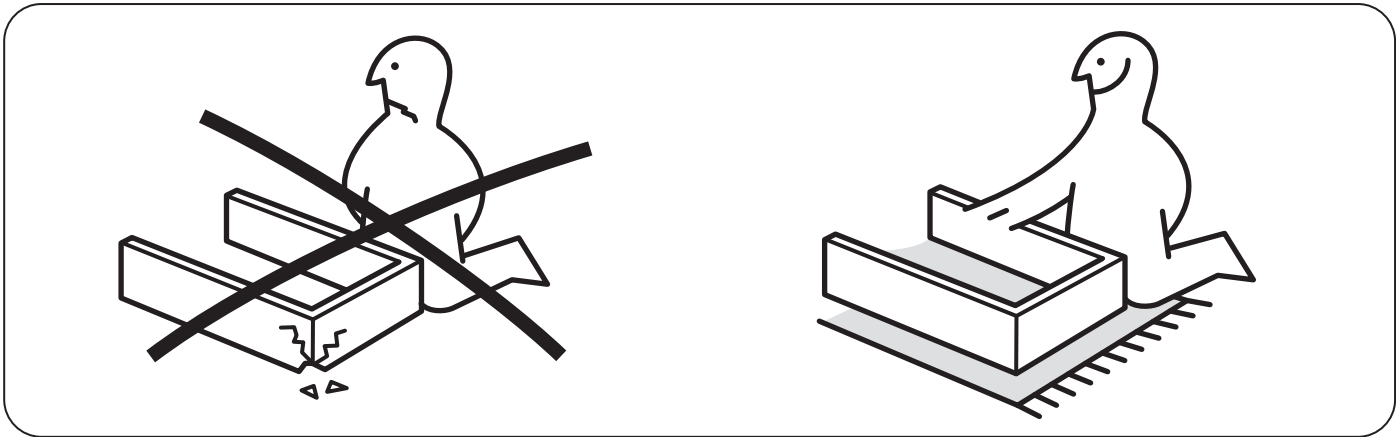
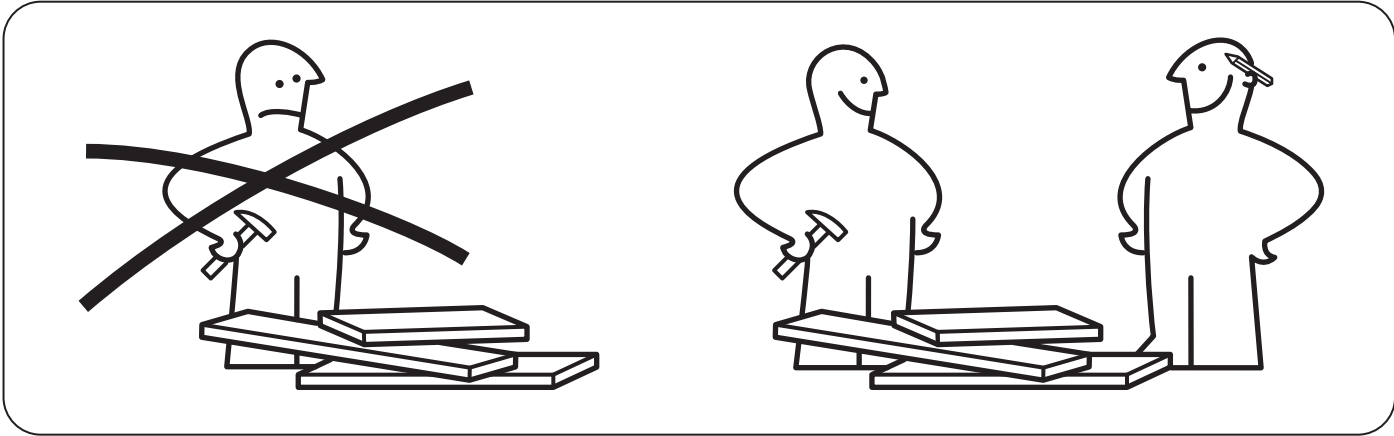
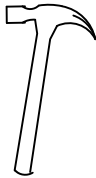
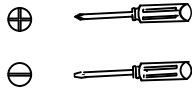


Thanks for purchasing one of our products,
please carefully read the assembly instructions
before installation(Attention:Do not tighten
the screws before all screws are in place).

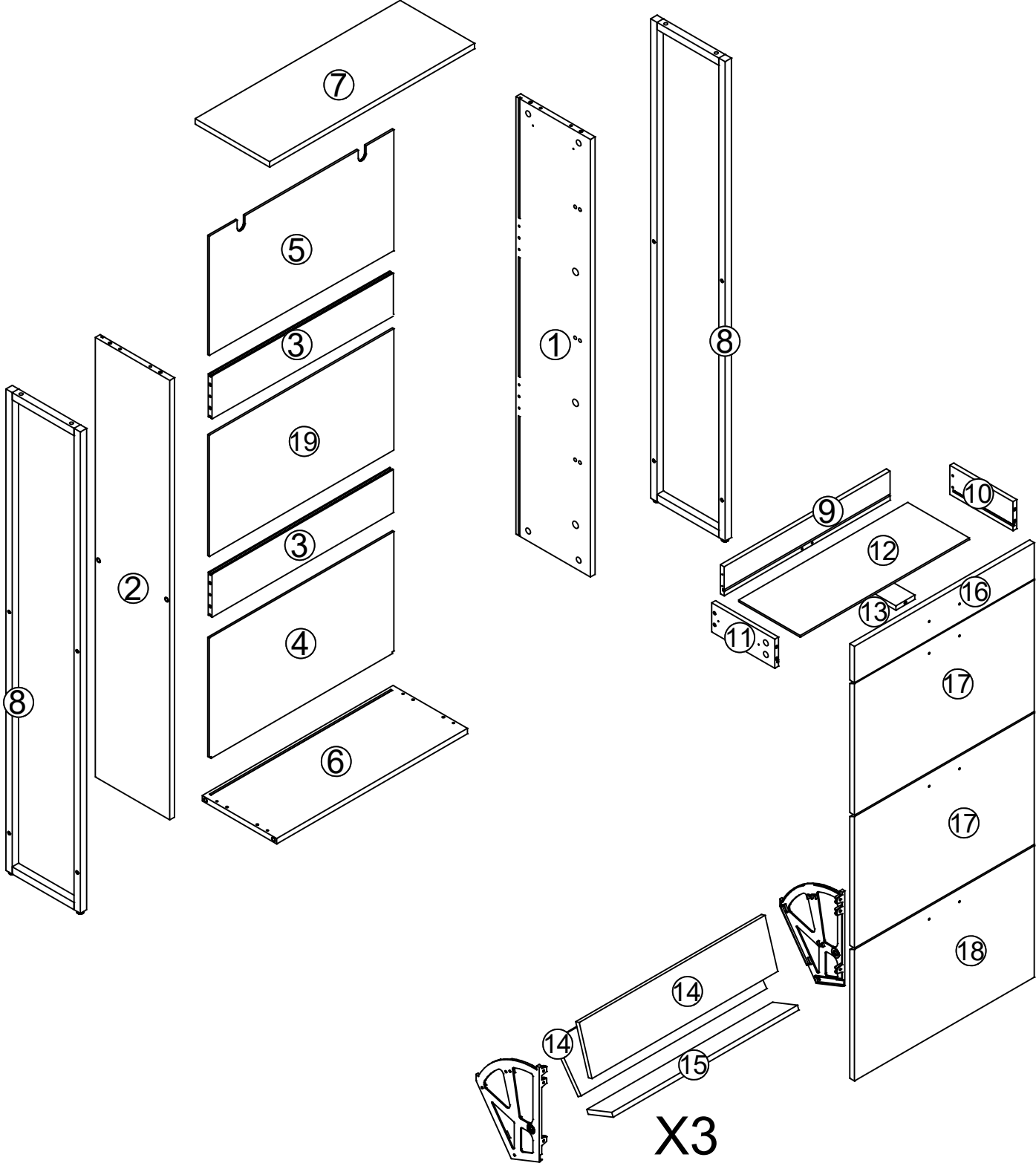


(Tools not provided) Flat
Blade Screwdriver Phillips
Head Screwdriver
Wooden Hammer


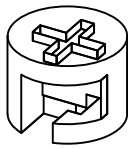




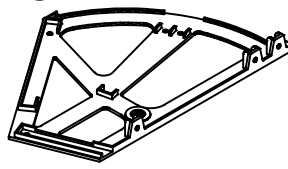
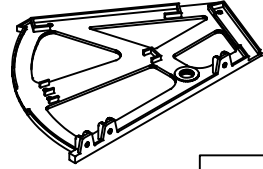







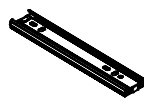








To Assemble the Unit
Wooden Hammer

PAGE1
Exploded View

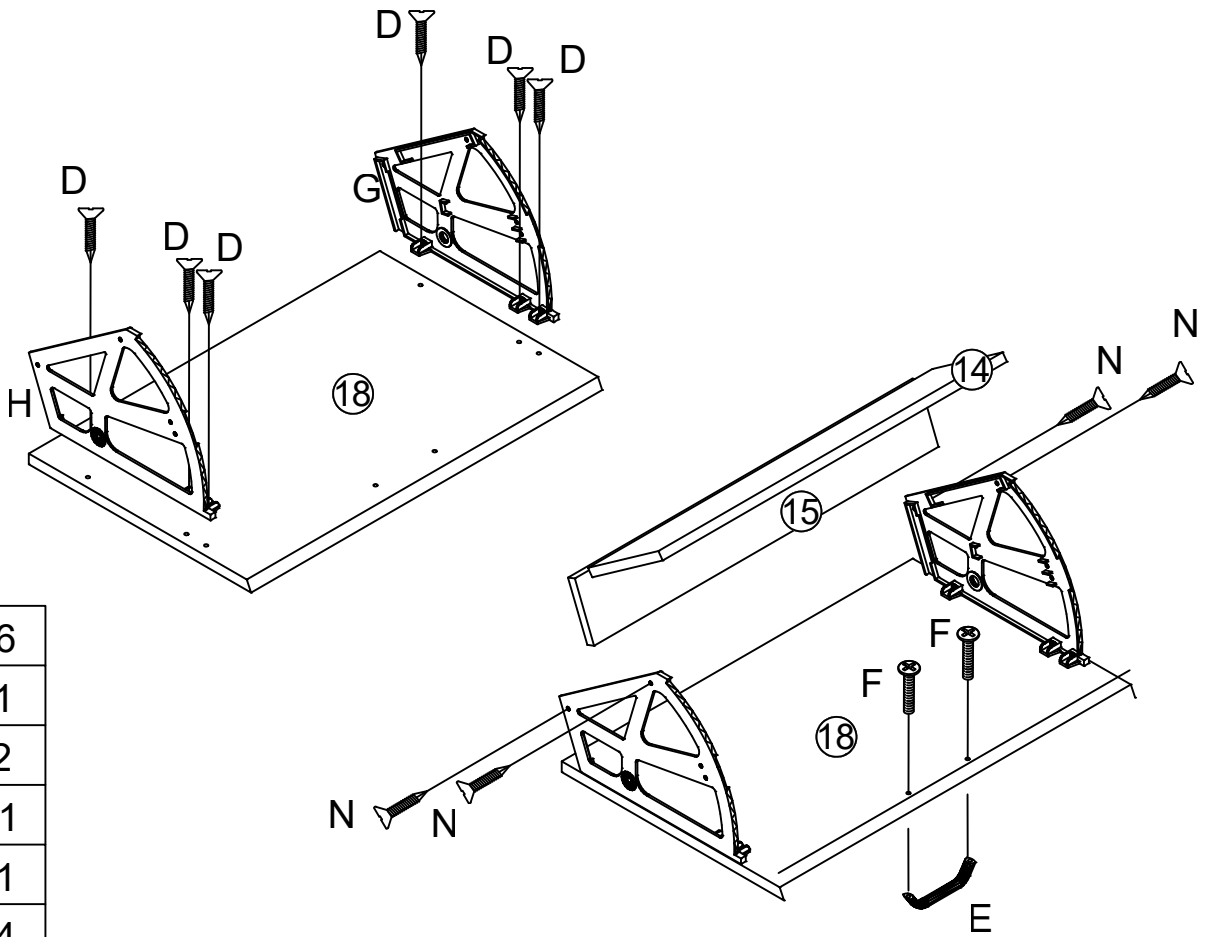


PAGE2
will require these parts

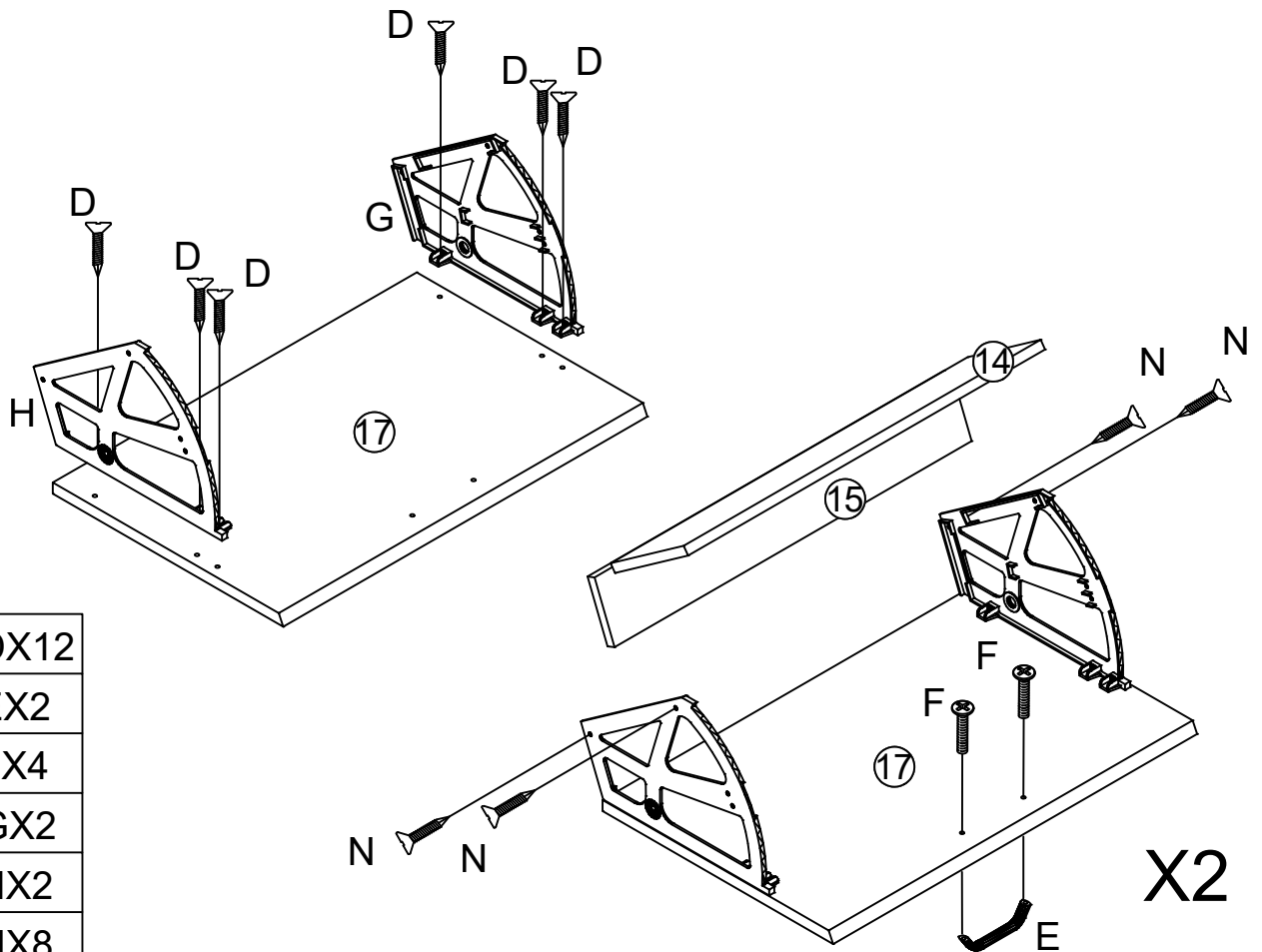
<p>A</p>  <p>21+1PCS</p>	<p>B</p>  <p>21+1PCS</p>	<p>C</p>  <p>M6X30MM</p> <p>12+2PCS</p>	<p>D</p>  <p>M3.5X16M</p> <p>18+2PCS</p>
<p>E</p>  <p>4PCS</p>	<p>F</p>  <p>8+1PCS</p>	<p>G</p>  <p>3PCS</p>	<p>H</p>  <p>3PCS</p>
<p>I</p>  <p>M6X30M</p> <p>12+1PCS</p>	<p>J</p>  <p>M4X16M</p> <p>6+1PCS</p>	<p>K</p>  <p>6PCS</p>	<p>L</p>  <p>6PCS</p>
<p>M</p>  <p>6PCS</p>	<p>N</p>  <p>M3X10M</p> <p>18+2PCS</p>	<p>O</p>  <p>M3.5X30M</p> <p>6+1PCS</p>	<p>P</p>  <p>2PCS</p>
<p>Q</p>  <p>M3.5X12M</p> <p>8+2PCS</p>	<p>R</p>  <p>4PCS</p>	<p>S</p>  <p>2PCS</p>	<p>T</p>  <p>M3.5X14M</p> <p>2PCS</p>
<p>U</p>  <p>2PCS</p>	<p>V</p>  <p>M3.5X25M</p> <p>2PCS</p>		

will require these parts

STEP1



	DX6
	EX1
	FX2
	GX1
	HX1
	NX4

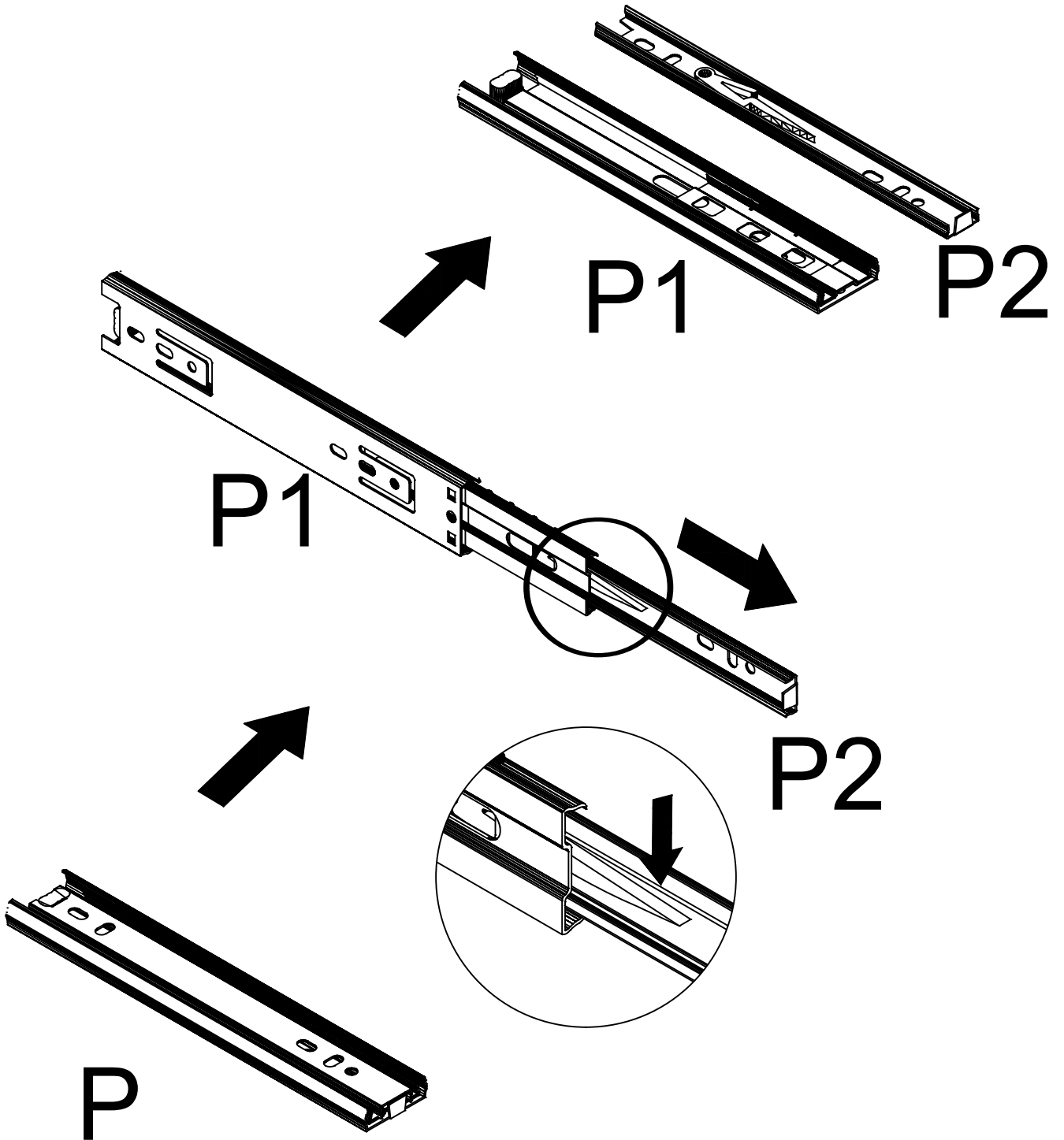


	DX12
	EX2
	FX4
	GX2
	HX2
	NX8

X2

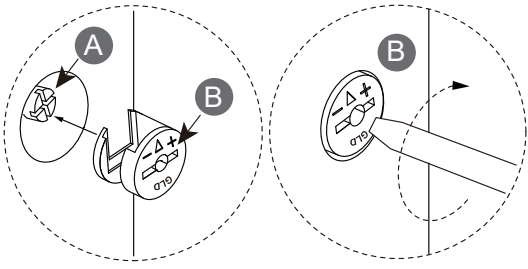
STEP2

will require these parts

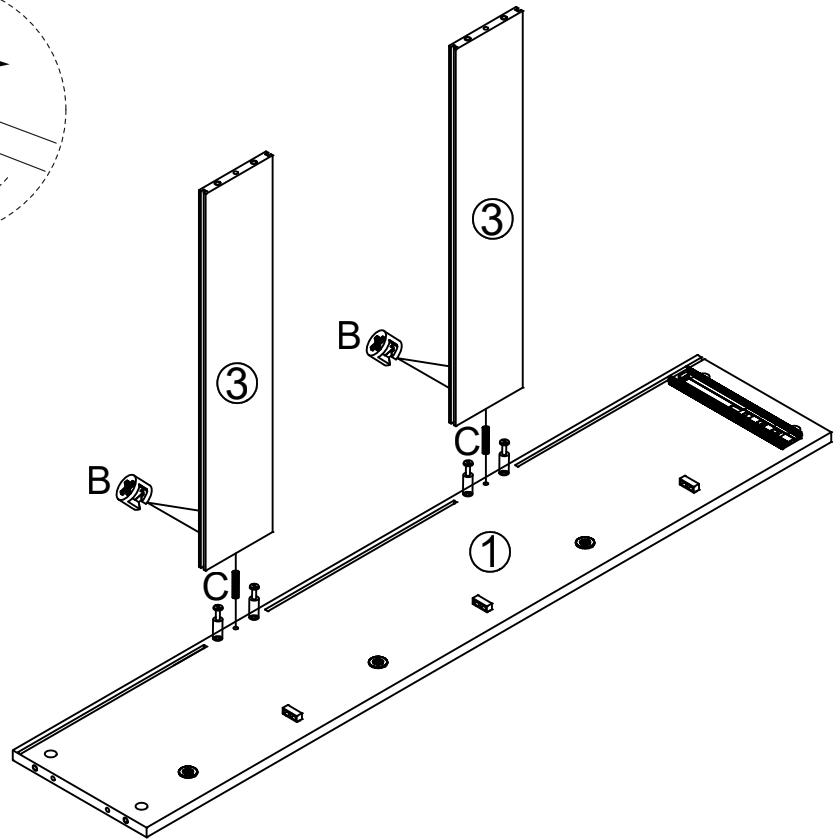


STEP4

will require these parts

**Attention:**

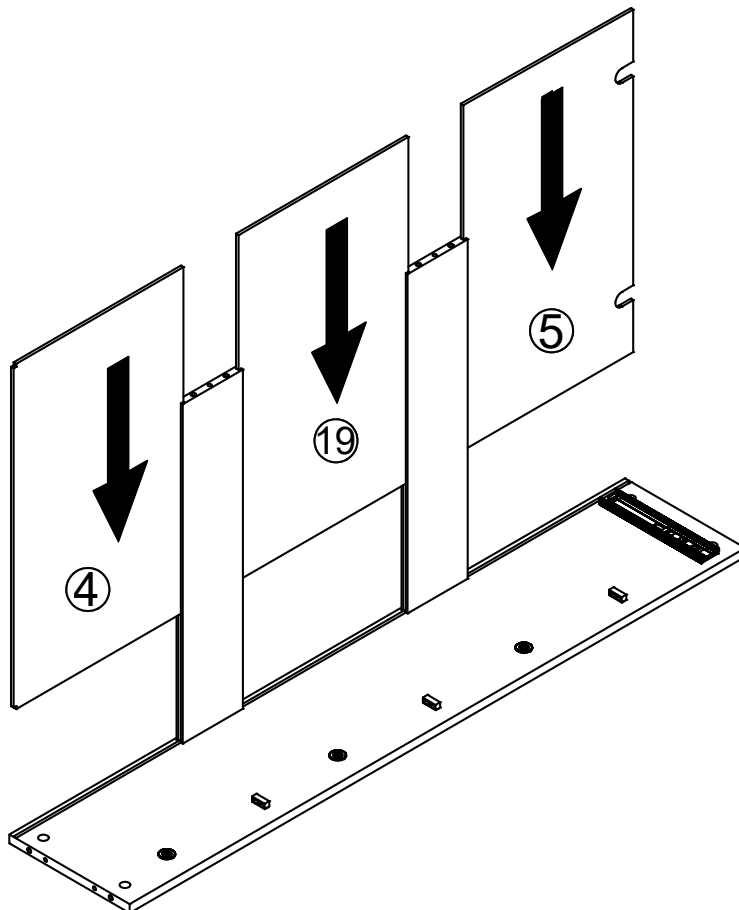
Put **B** into the hole and turn
B clockwise to lock **A** tightly.



BX4

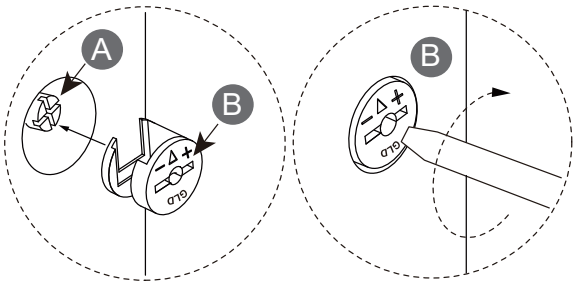


CX2

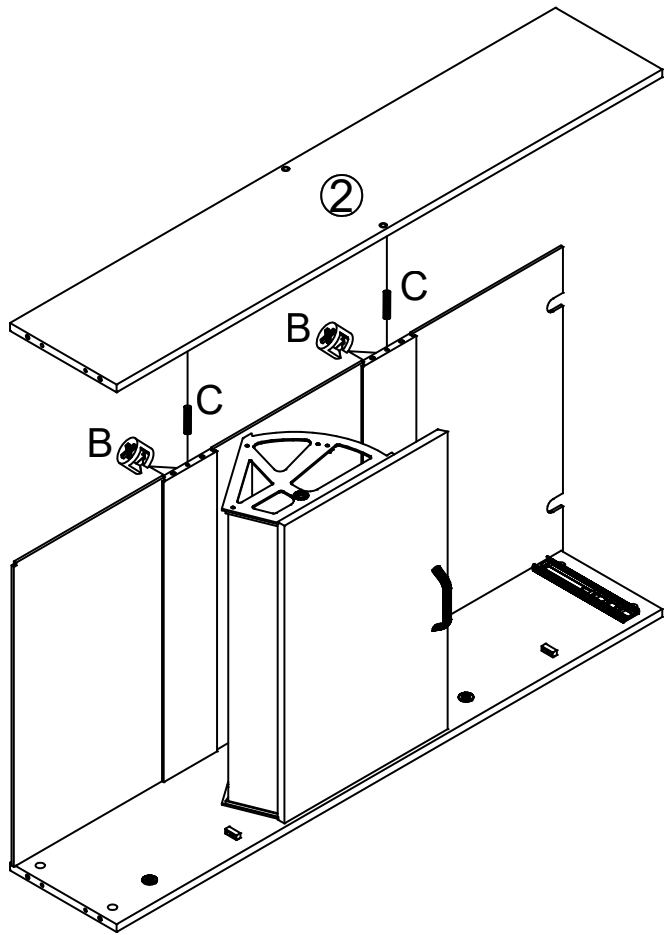


will require these parts

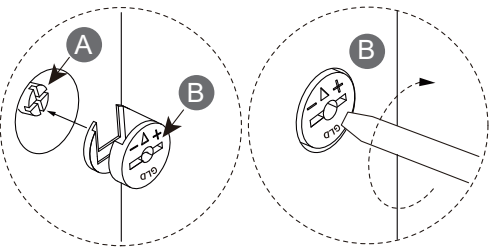
STEP5



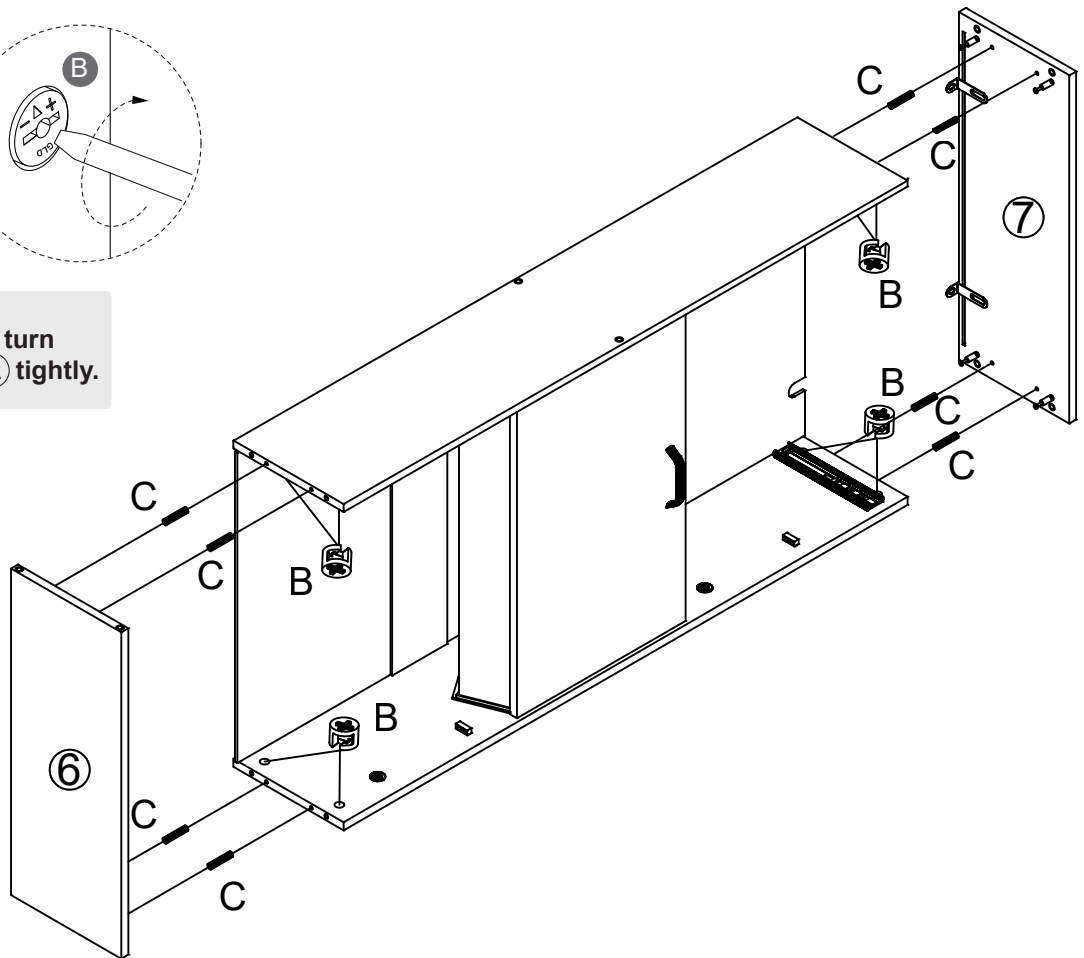
Attention:
Put **(B)** into the hole and turn **(B)** clockwise to lock **(A)** tightly.





	BX4
	CX2



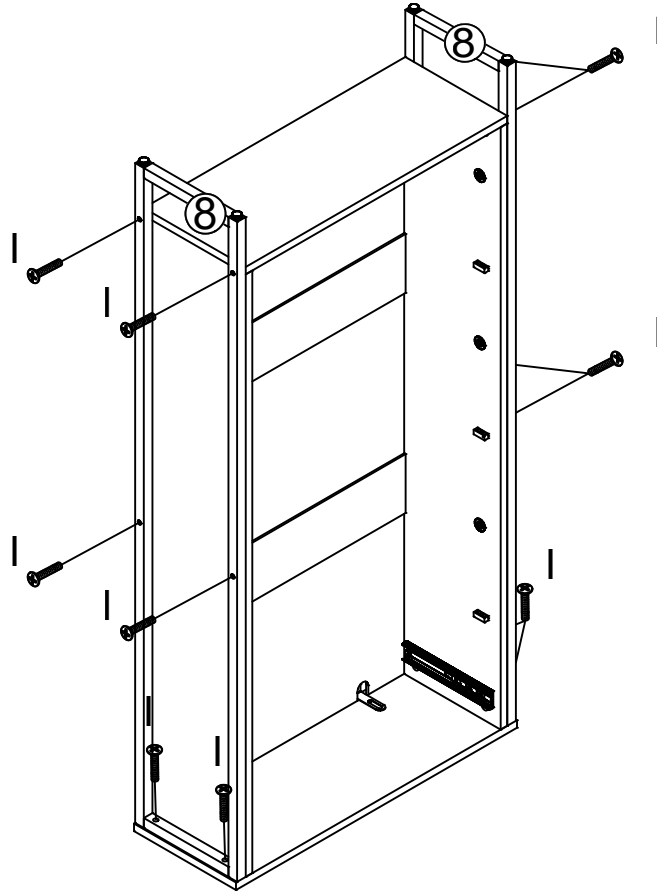
Attention:
Put **(B)** into the hole and turn **(B)** clockwise to lock **(A)** tightly.



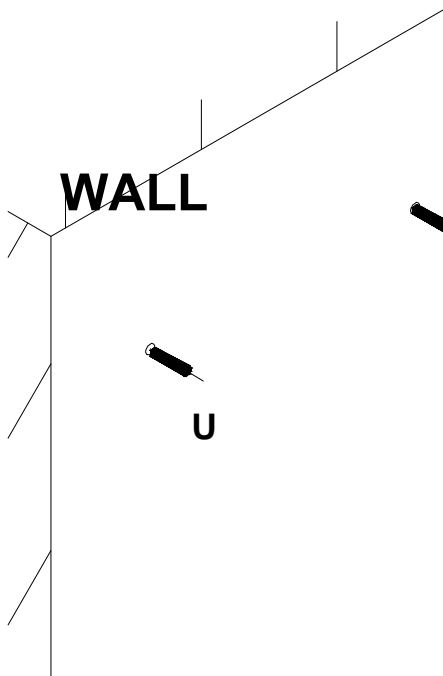
	BX8
	CX8

STEP6

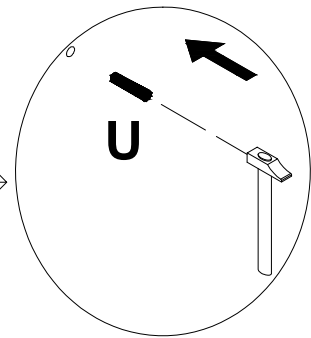
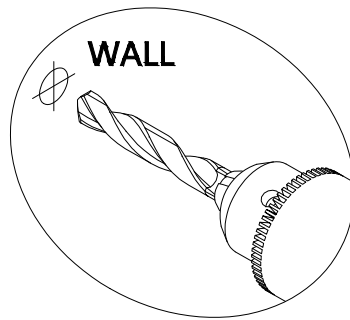
will require these parts



IX12



Drill 2 holes on the wall at the required position for anti-falling device installation.



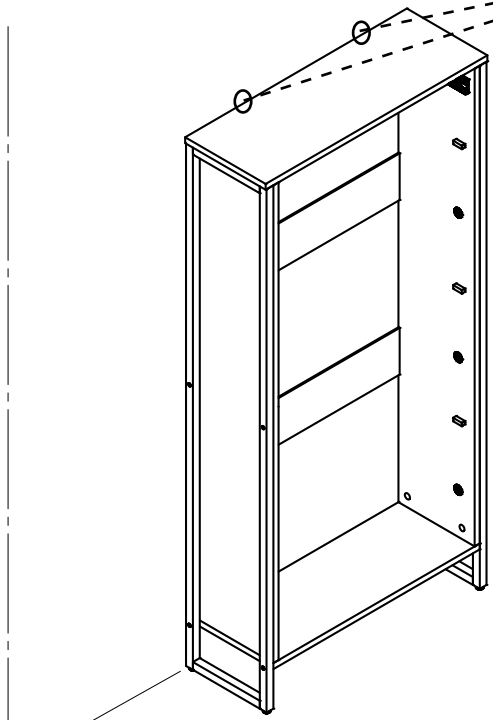
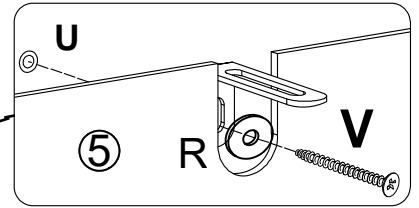
Ux 2


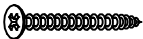
will require these parts

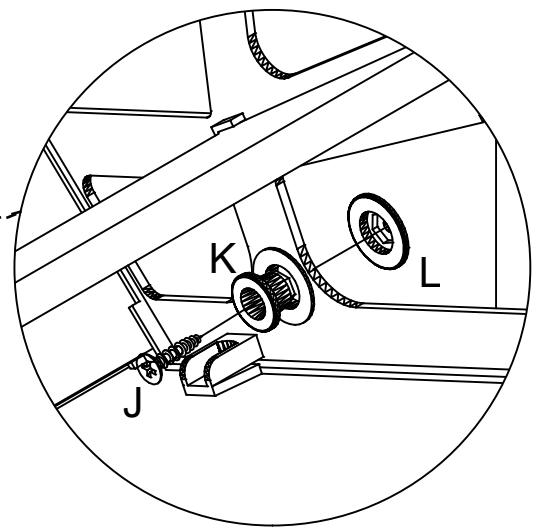
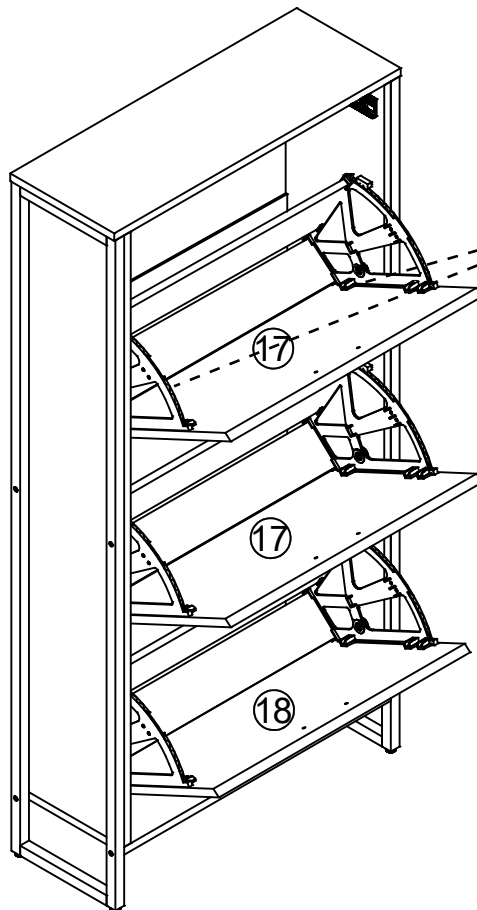
STEP7



Move the cabinet to the required position, use the "V" long screw to fix the cabinet to the wall.

WALL



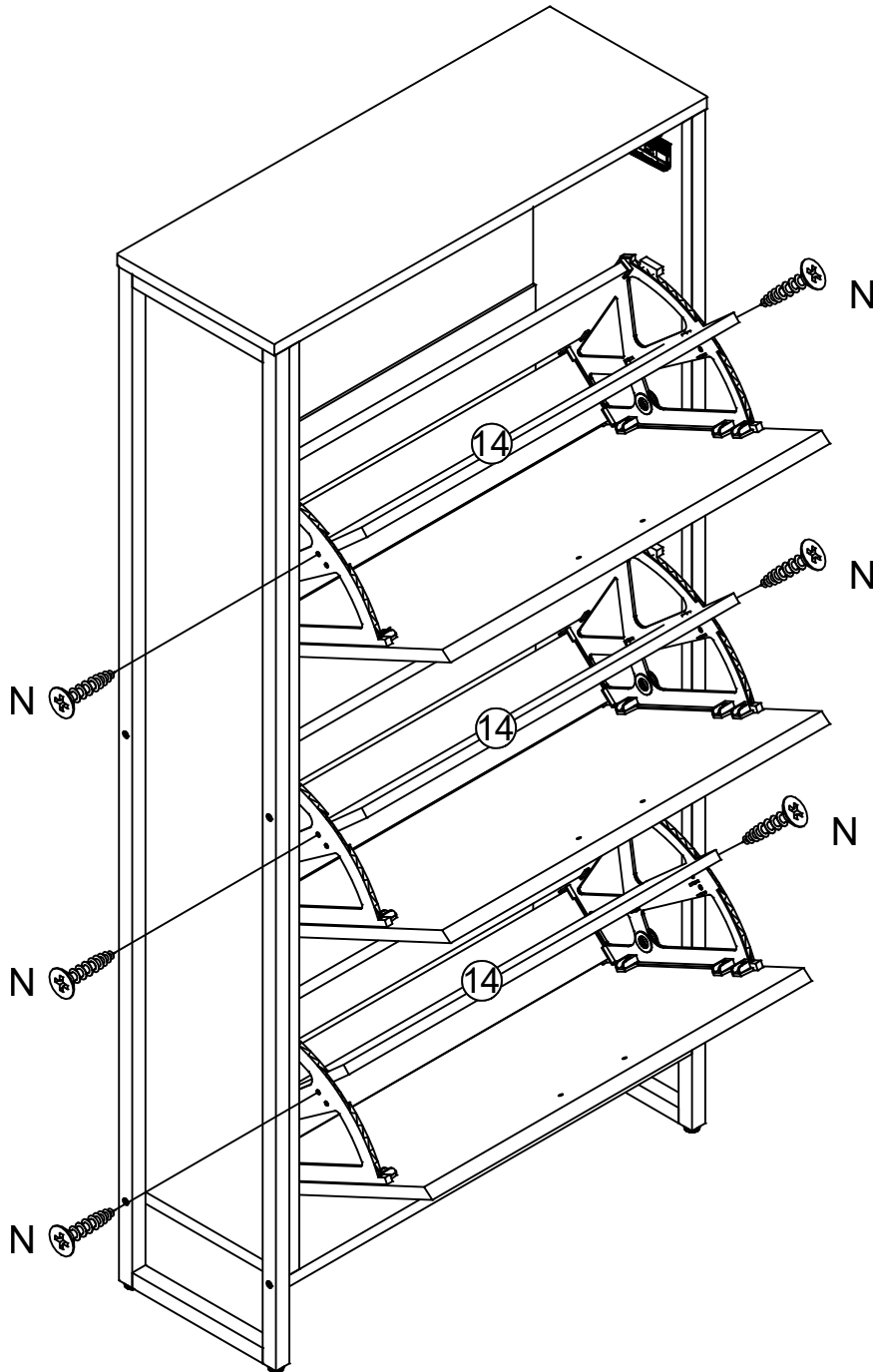
	RX2
	VX2



	JX6
	KX6

STEP8

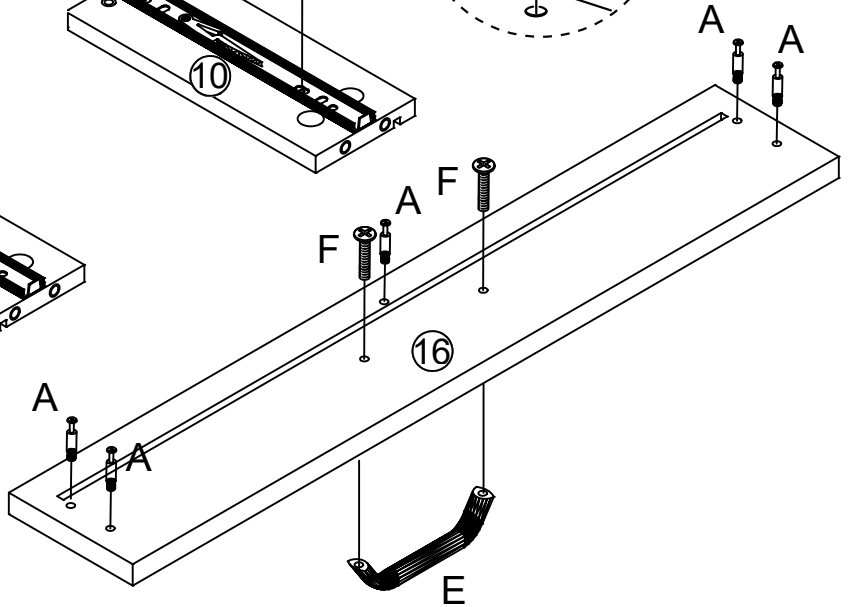
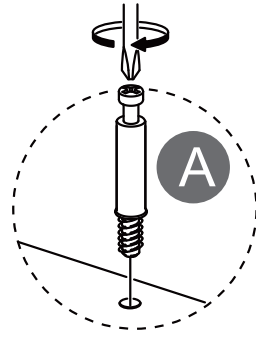
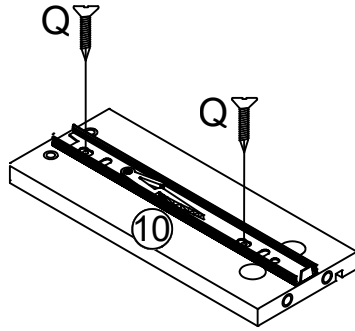
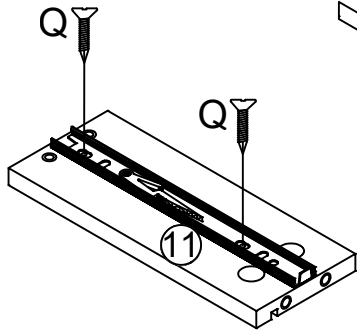
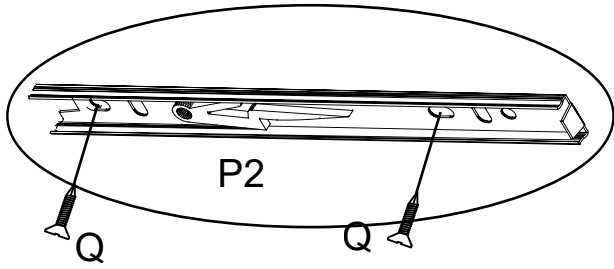
will require these parts



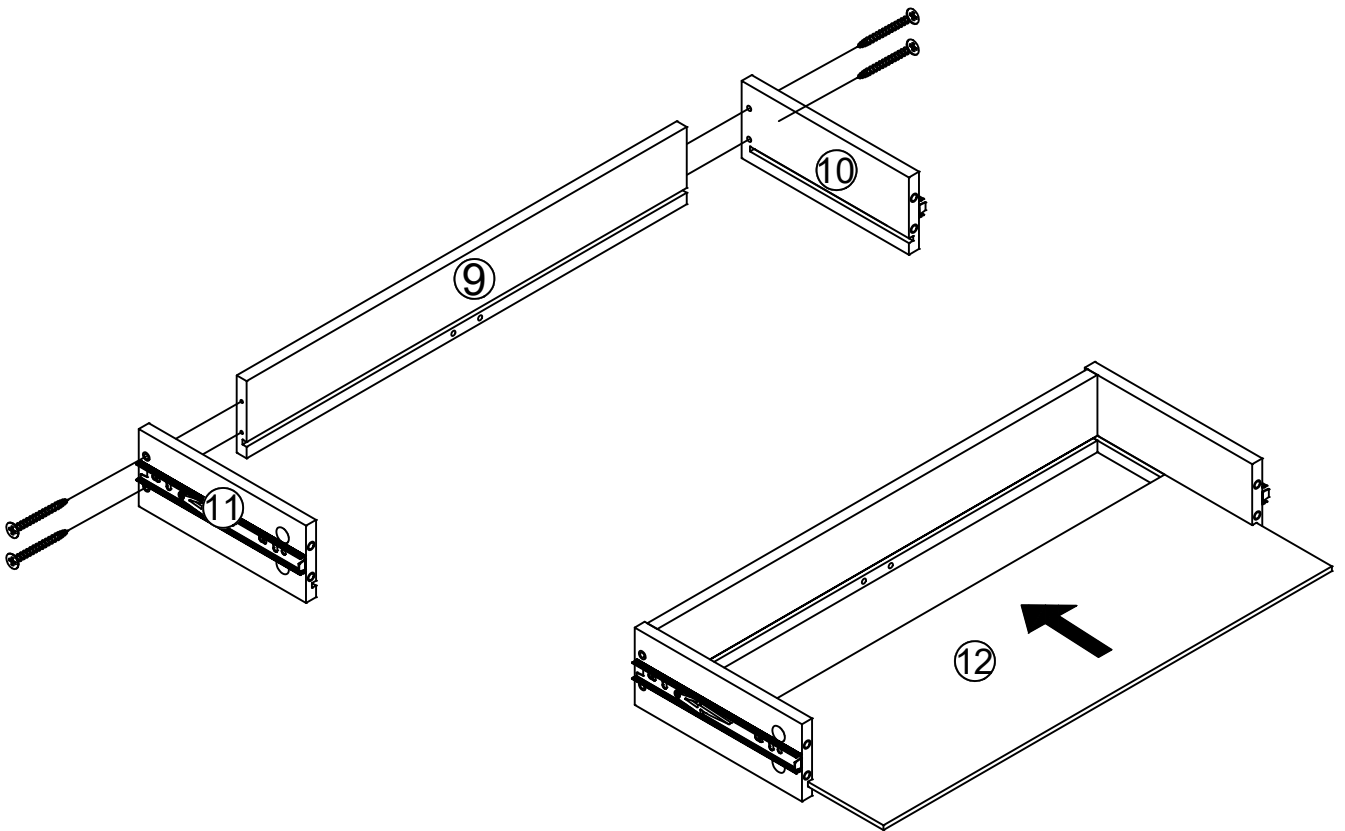
NX6

will require these parts

STEP9



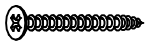
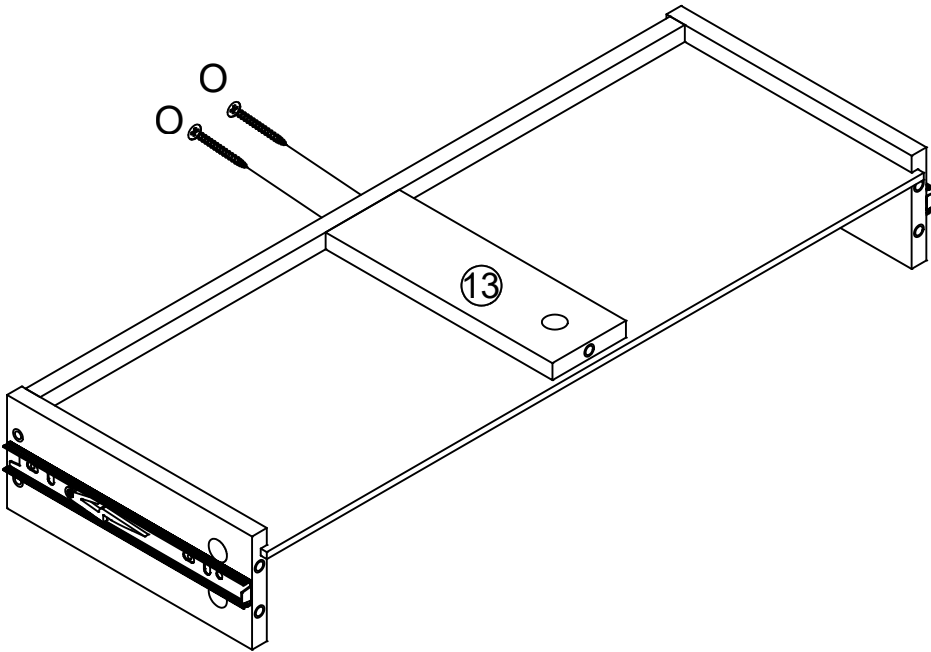
	AX5
	EX1
	FX2
	P2X2
	QX4



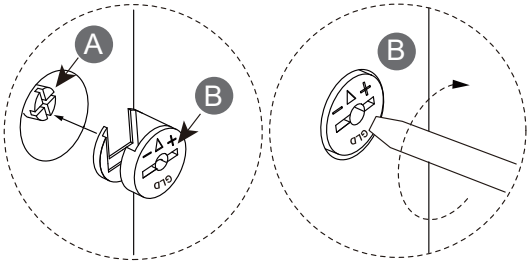
	OX4
--	-----

will require these parts

STEP10

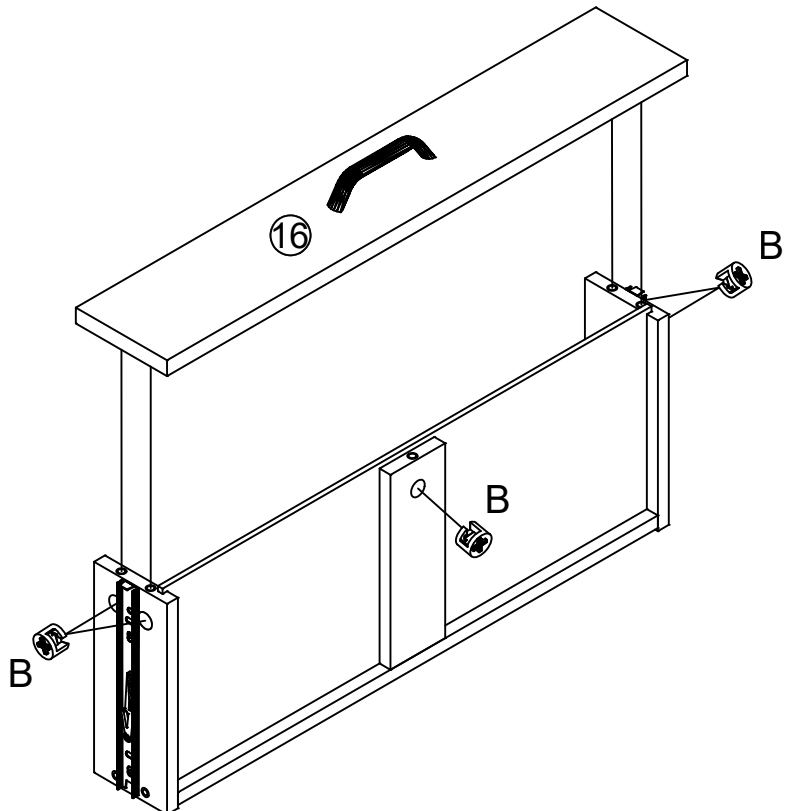


OX2



Attention:

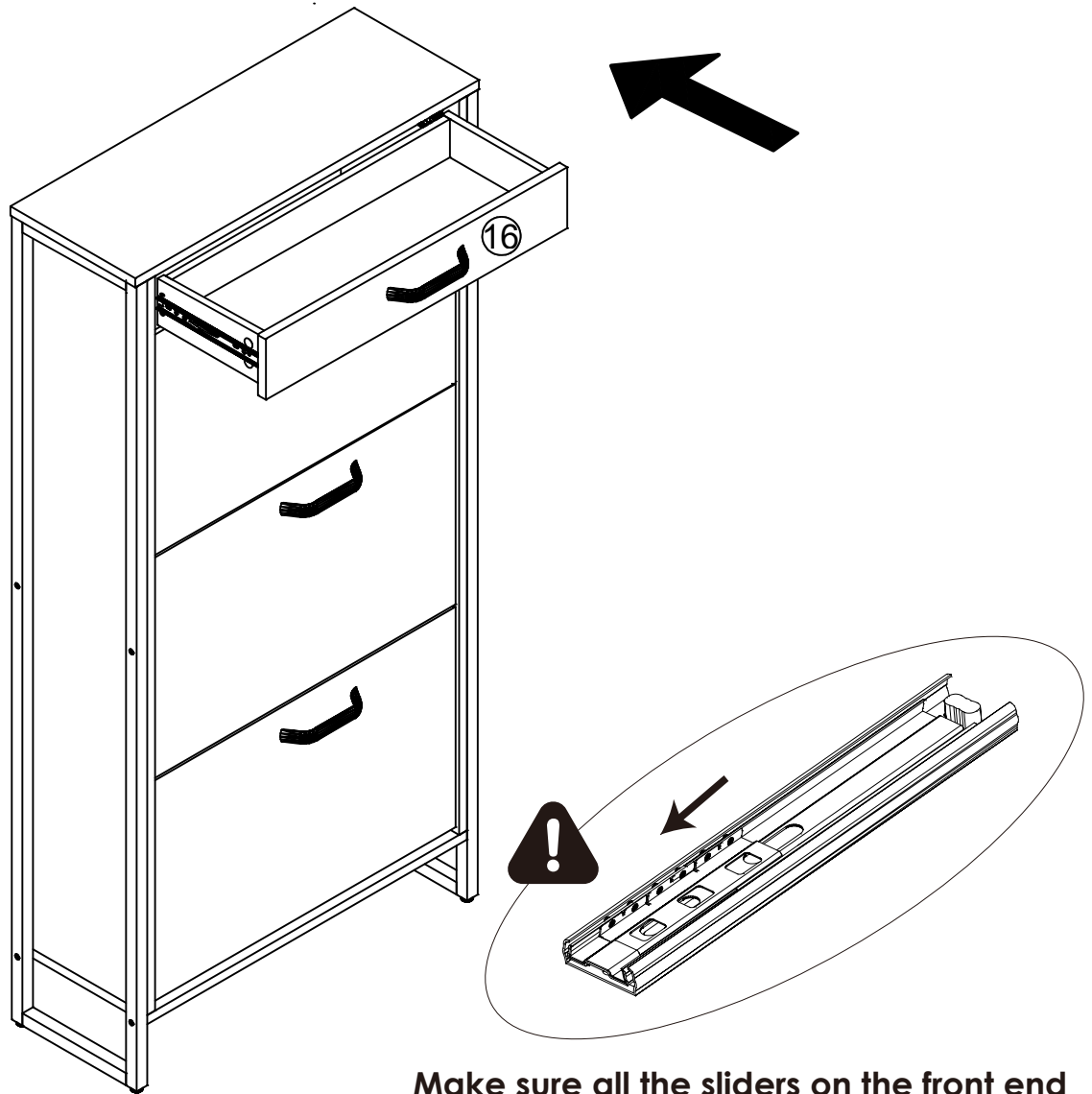
Put **B** into the hole and turn **B** clockwise to lock **A** tightly.



BX5

will require these parts

STEP11



Make sure all the sliders on the front end



- EN: 1, Drawers must be **horizontally put into** the cabinet
- 2, Make sure both side sliders **match well** to avoid damage

Wrong: P2 and P1 are not be horizontally placed and pushed

Right: Push P2 and P1 horizontally until you hear a "click"

