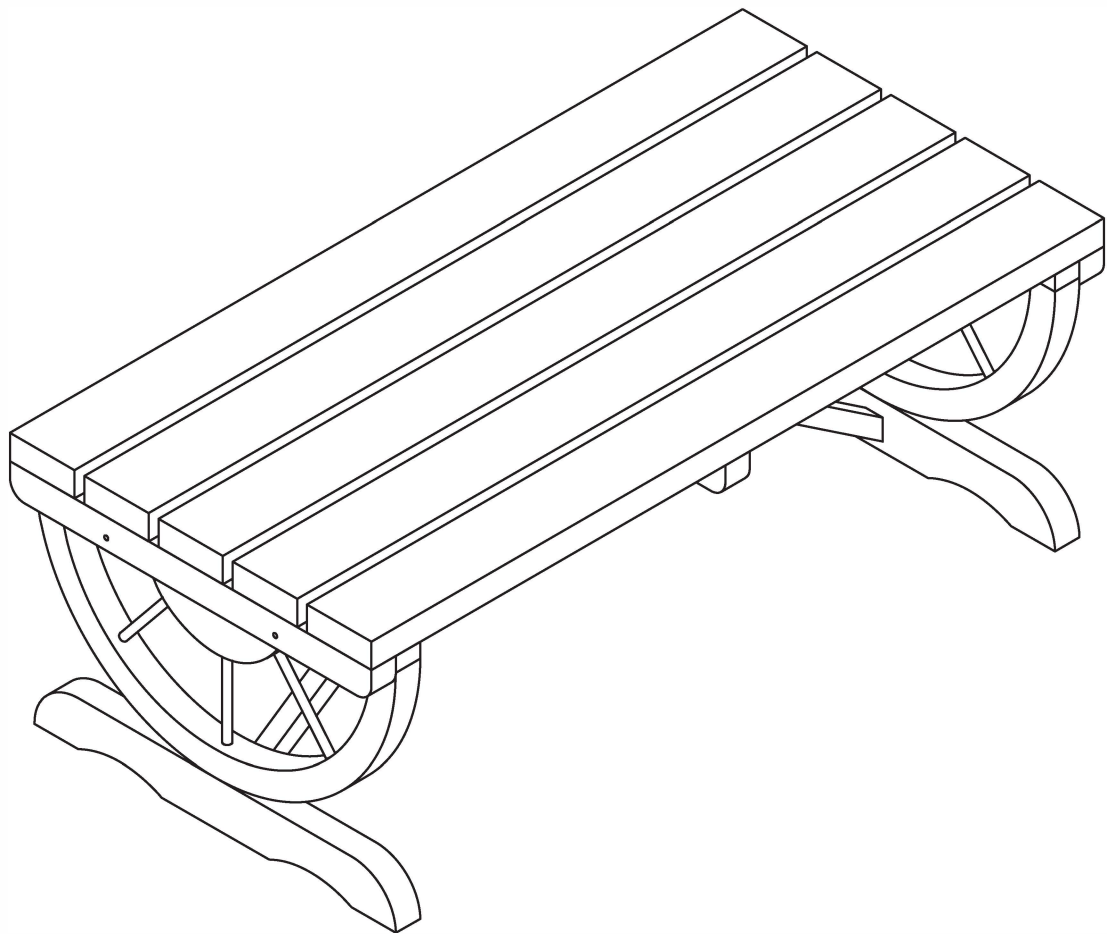
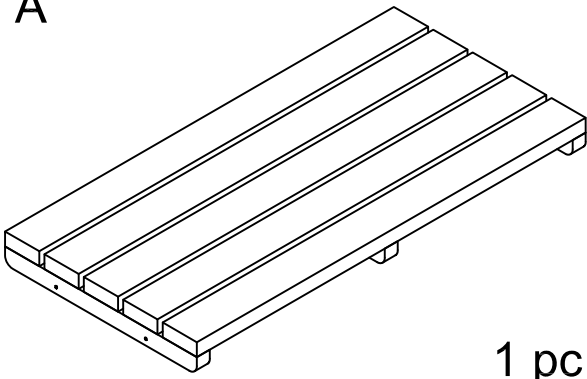


ASSEMBLY INSTRUCTION

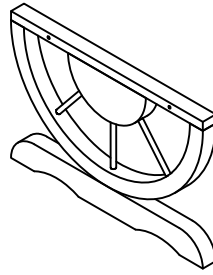


A



1 pc

B



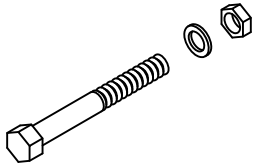
2 pcs

C



2 pcs

D



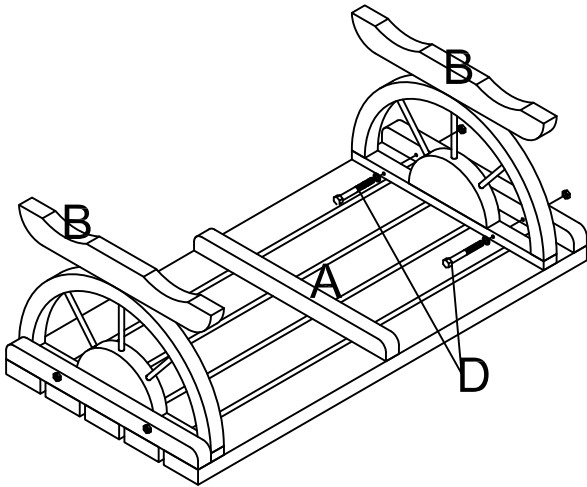
4PCS

E

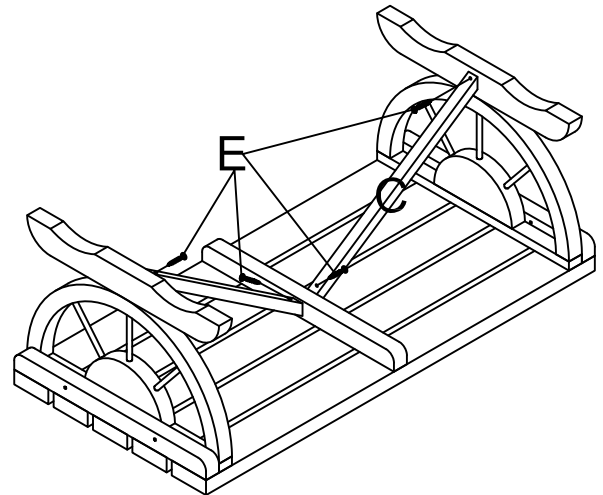


4PCS

STEP 1



STEP 2



FINISH

