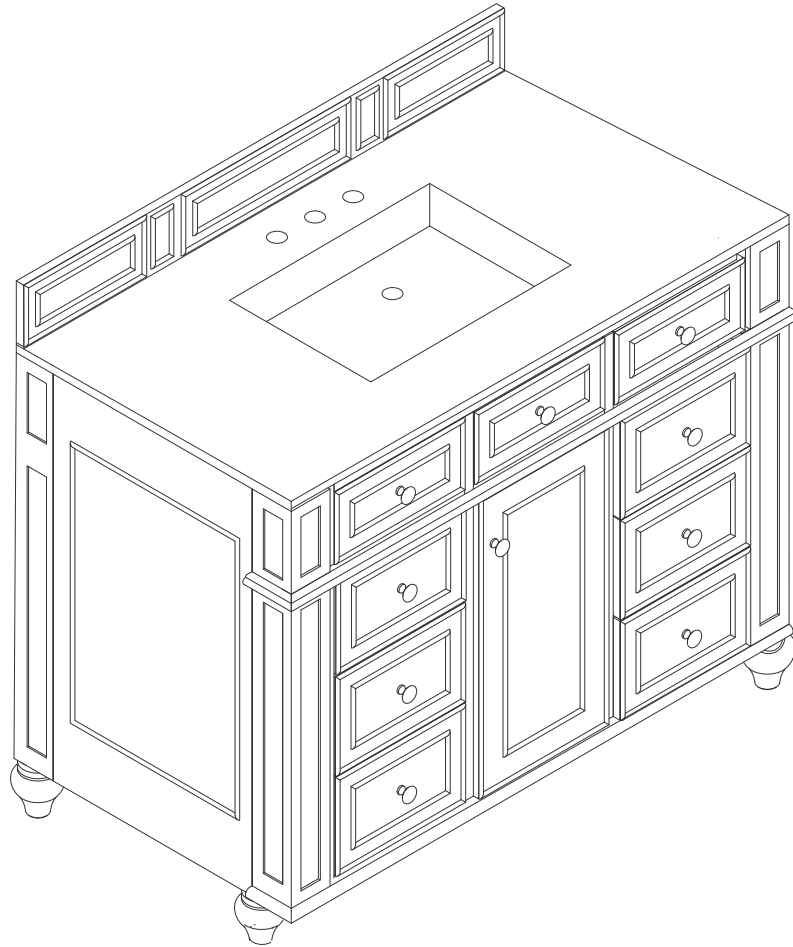


48" VANITY



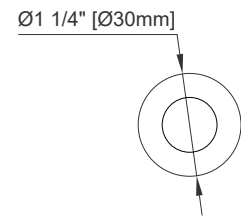
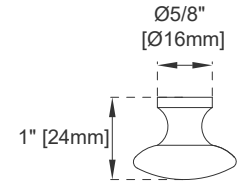
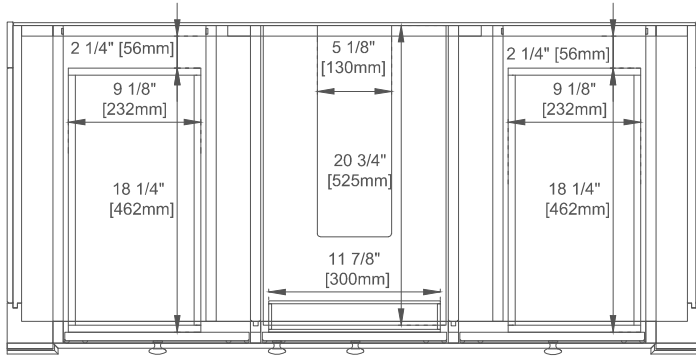
Features and Materials

Solids: BW-Poplar; SBR/WWW-Para Wood and Poplar
Veneers: SBR-Para Wood; WWW-Walnut
Panels: Plywood
Installation Type: Floor Standing
Number of Basins: One
Vanity Top: NO, Optional 3cm Tops Available with Sinks
Basins included: NO
Overflow: Yes, Front Facing
Optional Wooden Backsplash
Number of Doors: One
Number of Drawers: Six
Number of Tip Outs: One
Assembly Type: Yes, Installation of Optional 3cm Top
Drawer Box Material and Construction: 12mm Plywood/English Dovetail Joinery
Hardware Material and Finish: Zinc Alloy in Brushed Nickel Color
Fits Drain Hole Size: 1 3/4"
Full Extension, Soft Close Glides
European Soft Close Hinges
Aluminum Laminate Drawer Liners
Adjustable Levelers

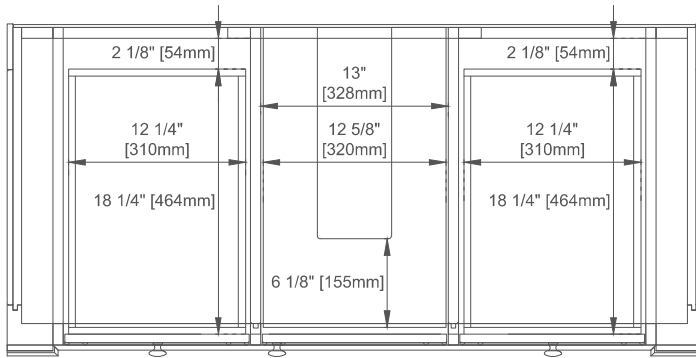
Dimension

Width: 47-7/8"
Depth: 22-7/8"
Height: 32-1/2"
Rough-In Height: 21-1/2"

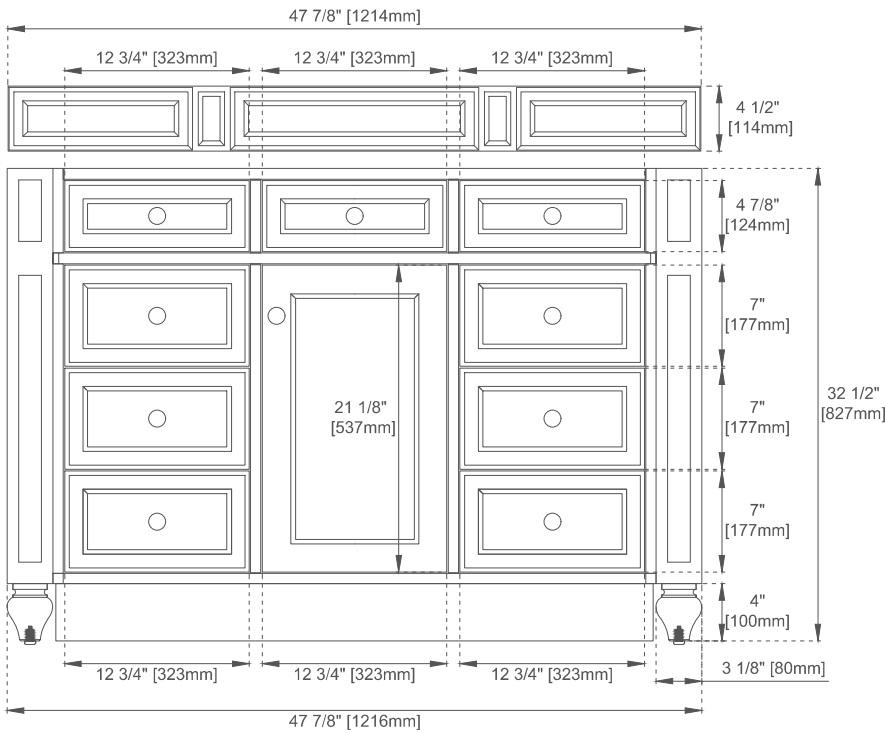
48" VANITY



Knob



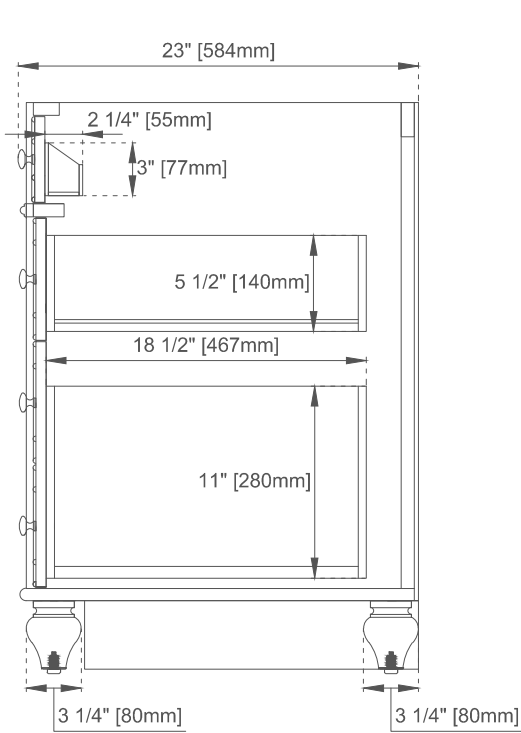
Top View



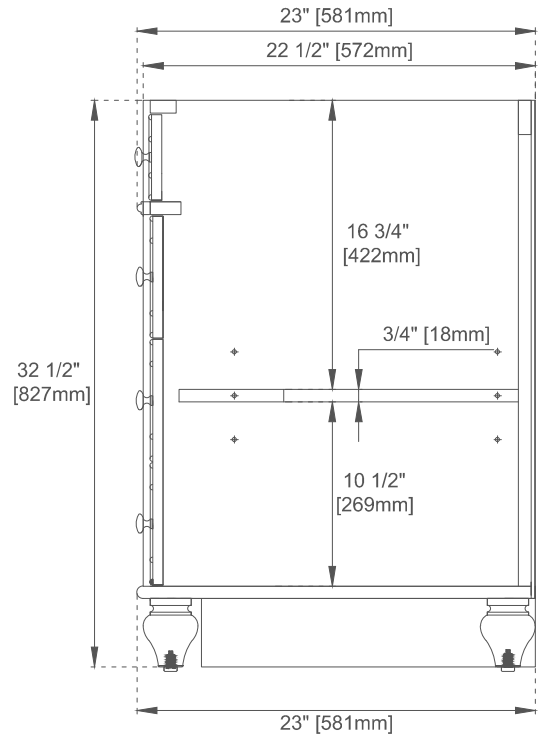
Front View

All dimensions are nominal
Diagrams are of cabinet only—Optional Countertops and sinks are not shown

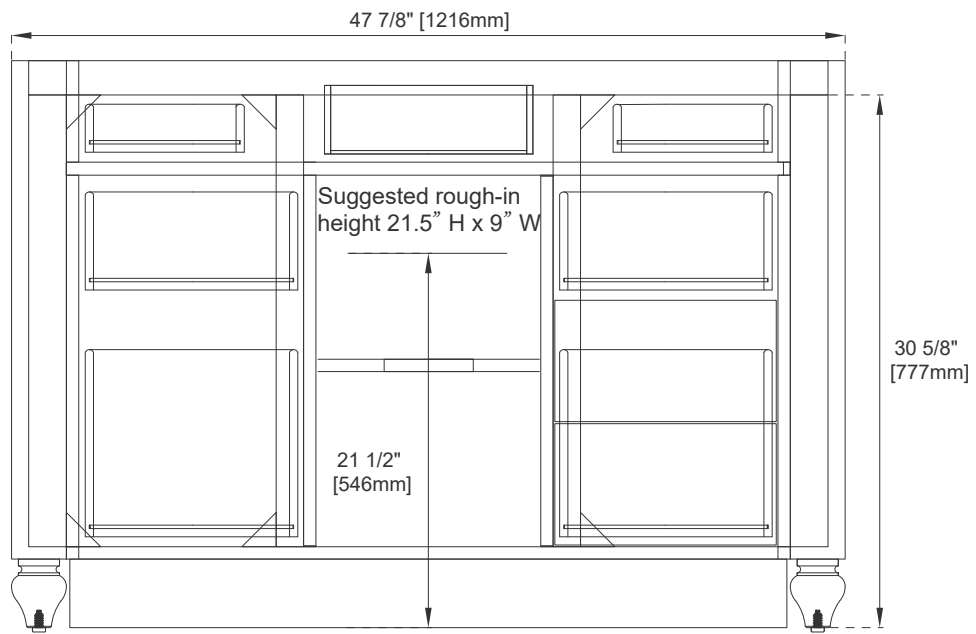
48" VANITY



Side View 1



Side View 2



Back View

All dimensions are nominal
 Diagrams are of cabinet only—Optional Countertops and sinks are not shown