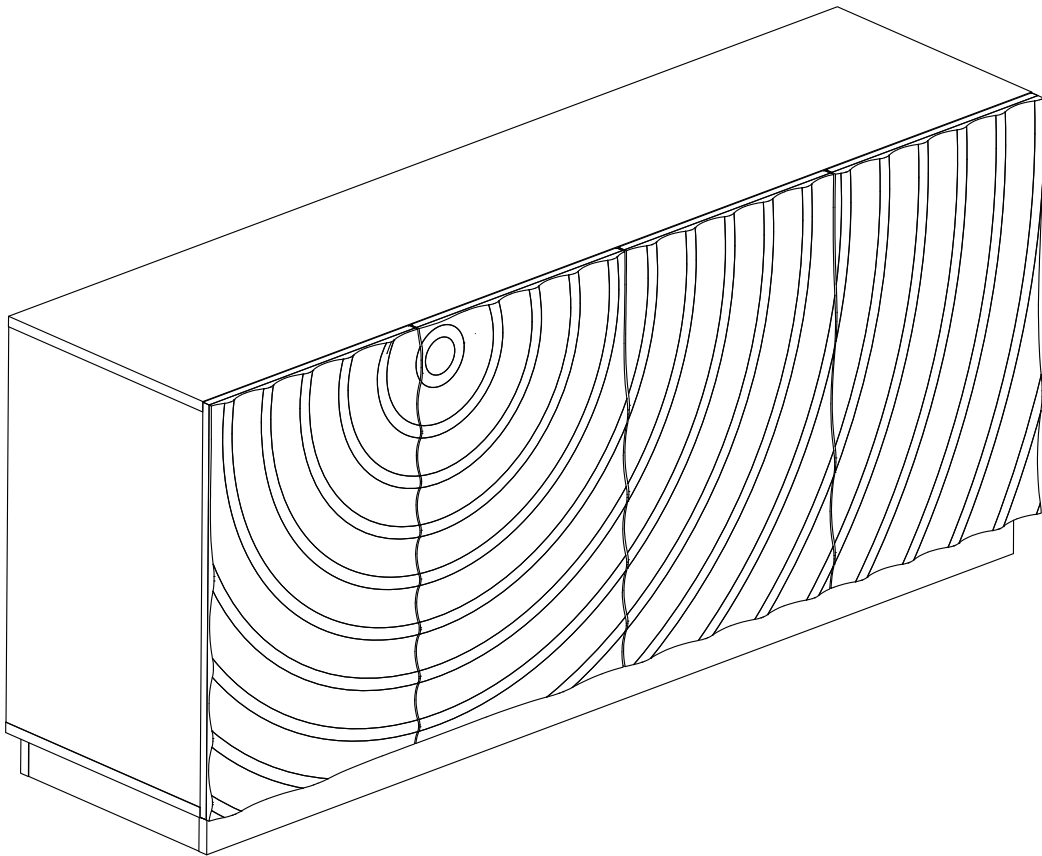


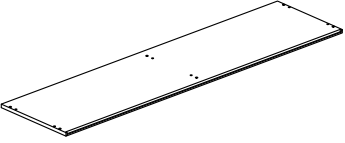
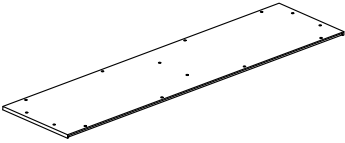
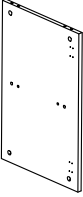
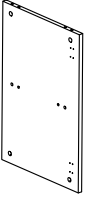
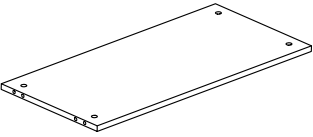
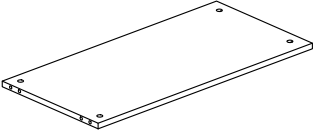
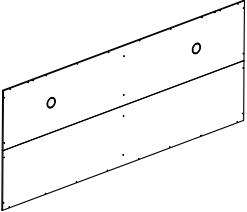
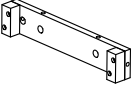
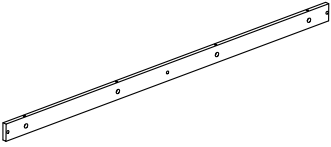
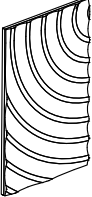
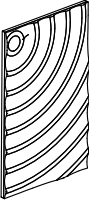
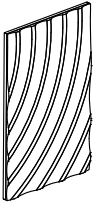
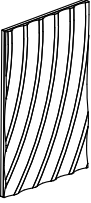
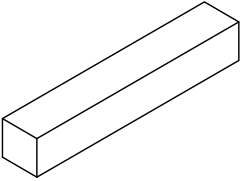
Assembly Instructions

Caution: You must read this before you proceed

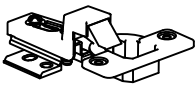



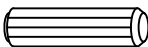
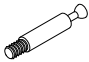






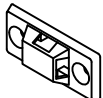

Sideboard



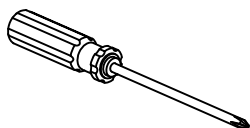
Parts list

<p>1 Top panel</p>  <p>x 1</p>	<p>2 Bottom panel</p>  <p>x 1</p>	<p>3 Side panels</p>  <p>x 2</p>	<p>4 The middle panel</p>  <p>x 1</p>
<p>5 The left fixed shelf</p>  <p>x 1</p>	<p>6 The right fixed shelf</p>  <p>x 1</p>	<p>7 Back panel</p>  <p>x 1</p>	<p>8 Side panels of bottom frame</p>  <p>x 3</p>
<p>9 The front and back panels of bottom frame</p>  <p>x 2</p>	<p>10 The left side door</p>  <p>x 1</p>	<p>11 The left middle door</p>  <p>x 1</p>	<p>12 The right middle door</p>  <p>x 1</p>
<p>13 The right side door</p>  <p>x 1</p>	<p>14 Hardware box</p>  <p>x 1</p>		

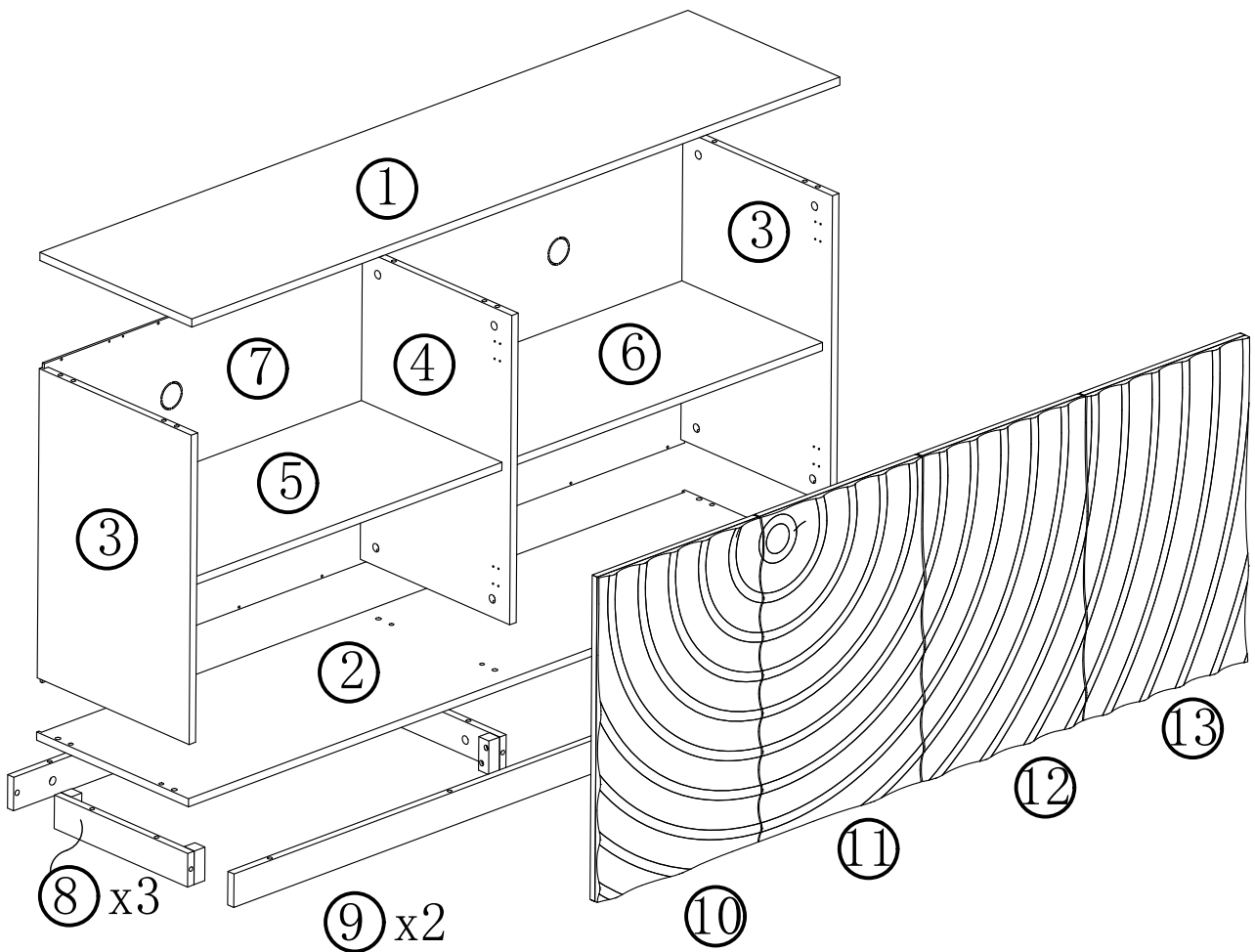
Hardware

<p>A Smaller cuts for middle doors</p>  <p>x 4 pcs</p>	<p>B Straight arm soft-closing hinges for side door</p>  <p>x 4 pcs</p>	<p>C Ø4x14mm screws</p>  <p>x 48 pcs</p>	<p>D Ø3.5x15mm screws</p>  <p>x 28 pcs</p>
<p>E Wood dowel</p>  <p>x 20 pcs</p>	<p>F Cam bolt</p>  <p>x 40 pcs</p>	<p>G Cam lock</p>  <p>x 40 pcs</p>	<p>H Cam cover</p>  <p>x 40 pcs</p>
<p>I Plastic Anchor (Wall Plug)</p>  <p>x 4 pcs</p>	<p>J M3.5x38mm screws</p>  <p>x 4 pcs</p>	<p>K M3.5x19mm screws</p>  <p>x 4 pcs</p>	<p>L Nylon Restraint Strap</p>  <p>x 2 pcs</p>
<p>M Mounting Brackets</p>  <p>x 4 pcs</p>	<p>N Phillips/Hex L Wrench</p>  <p>x 1 pc</p>		

Tools required (not included):



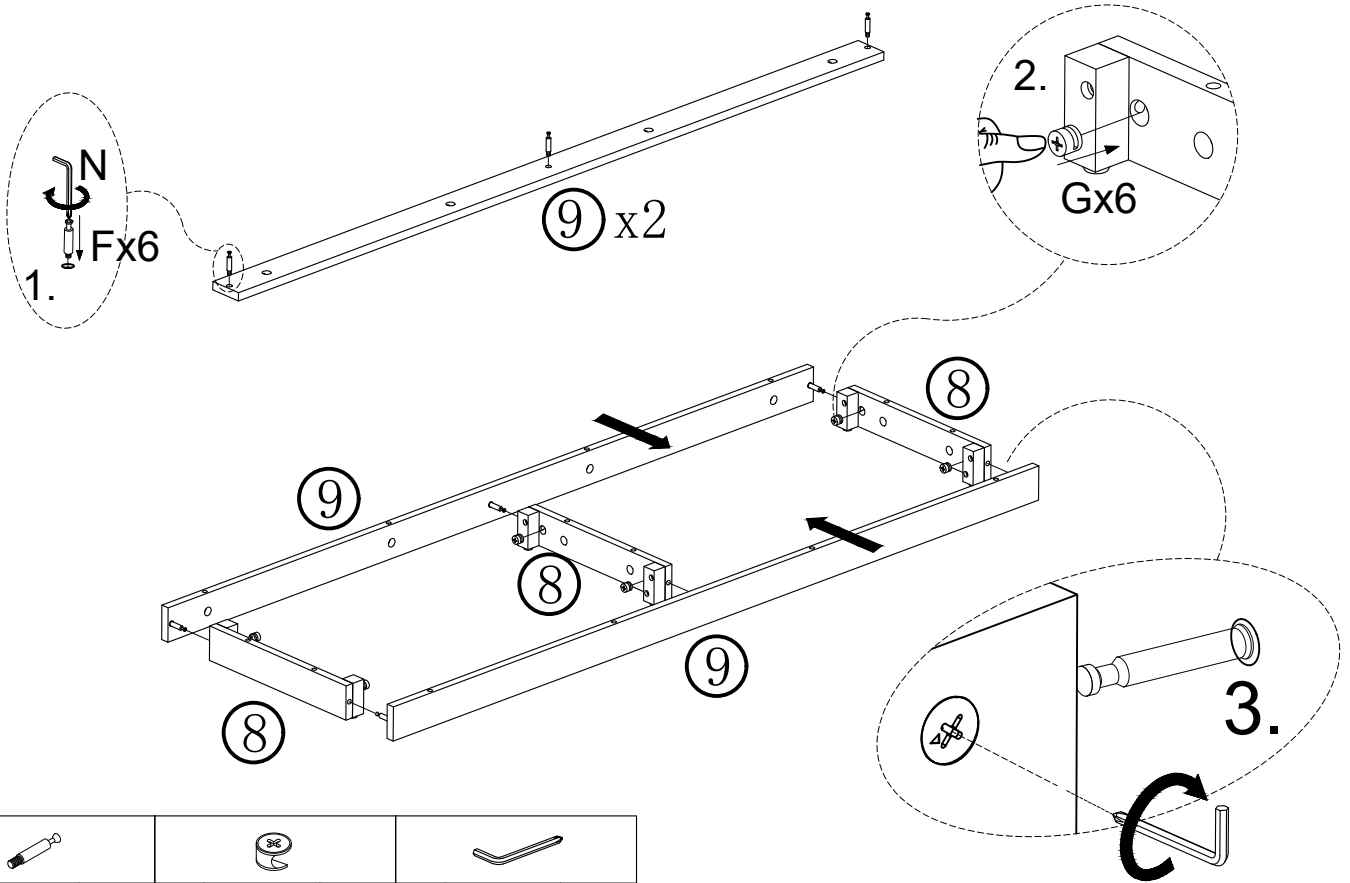
Overview



IMPORTANT :

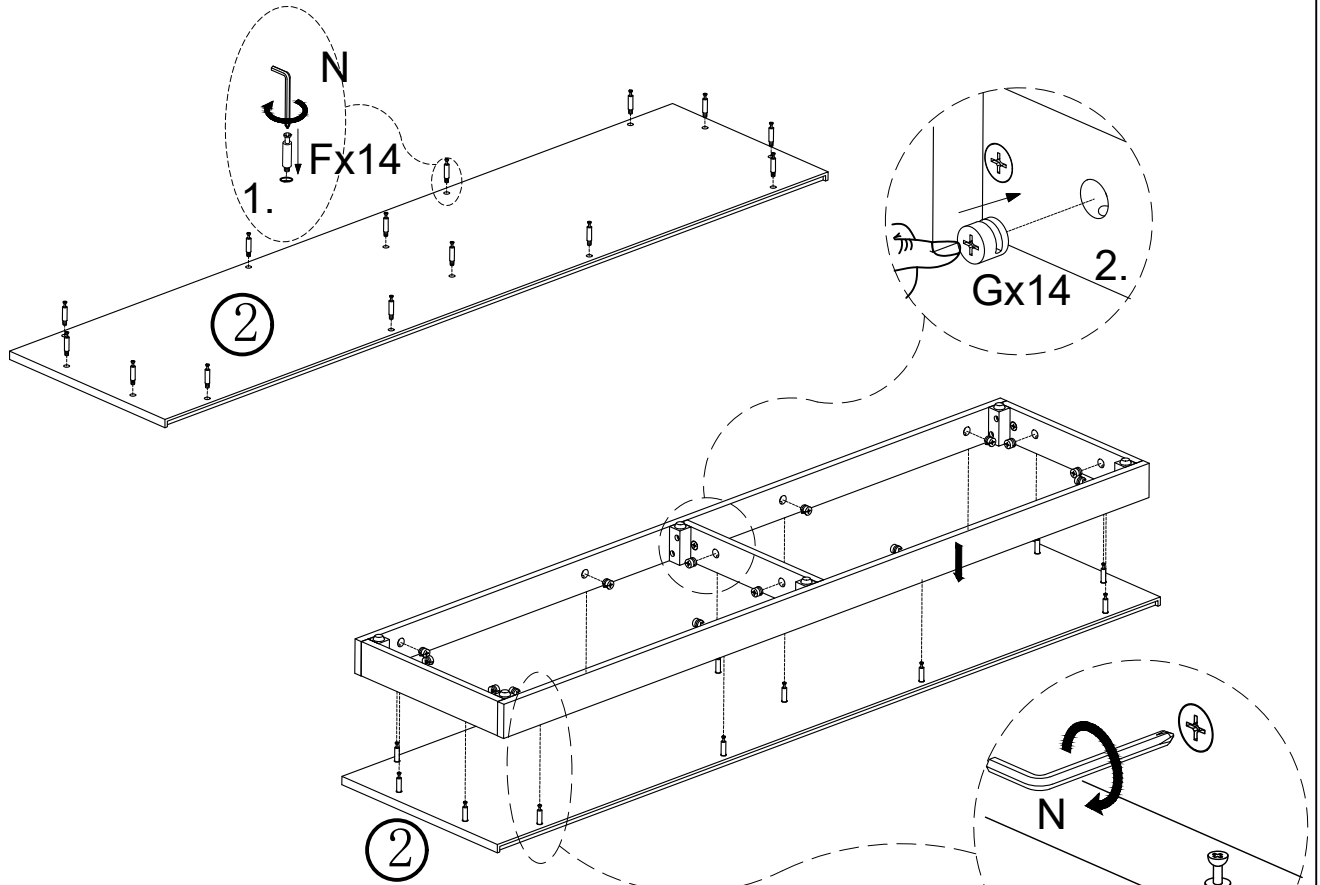
- Read the instructions carefully from cover to cover.
- Do not assemble on flooring or carpet.
- Assemble on a clean non-marring surface (packing foam).
- Save all packaging until finished.
- Do not tighten bolts / screws completely until all bolts / screws are lined up and inserted into holes.
- Do not over tighten screws and bolts to avoid stripping.
- Please always use hand tools to assemble this product and never use power tools.

Step 1



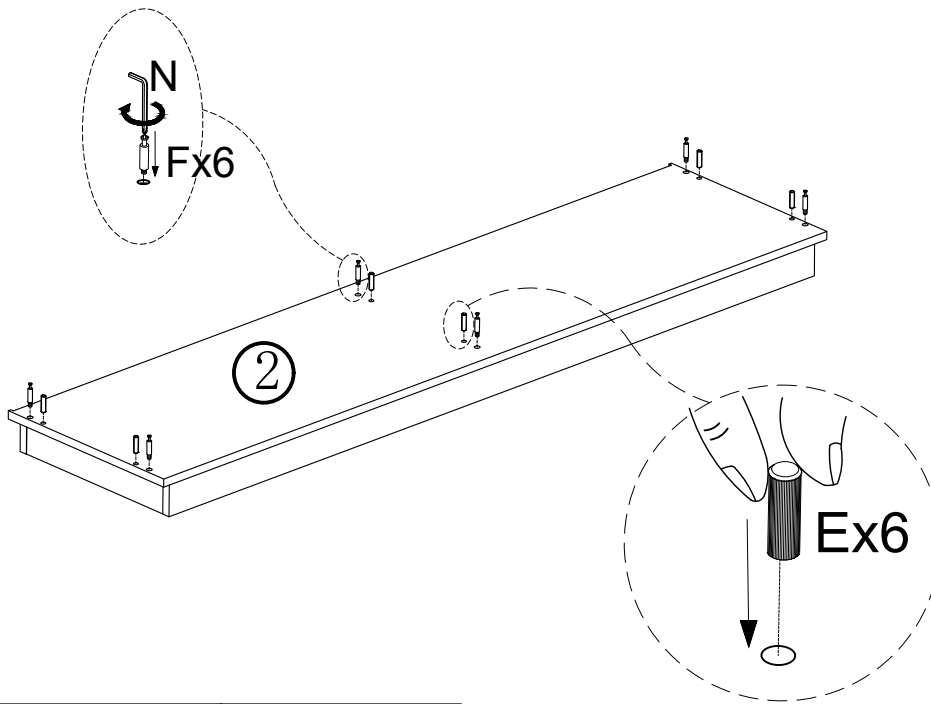
F Cam bolt 6PCS	G Cam lock 6PCS	N Phillips/Hex L Wrench 1PC




Step 2



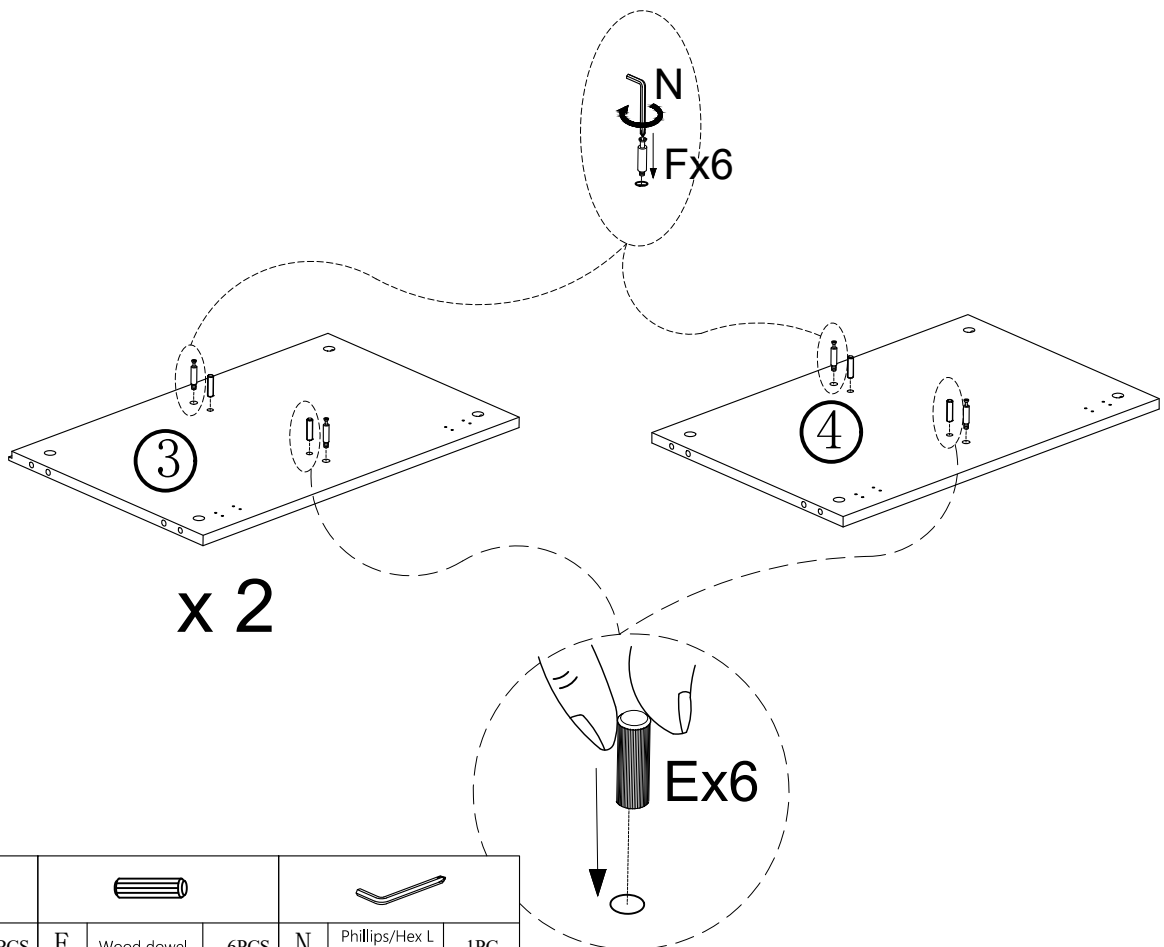
F Cam bolt 14PCS	G Cam lock 14PCS	N Phillips/Hex L Wrench 1PC


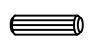

Step 3



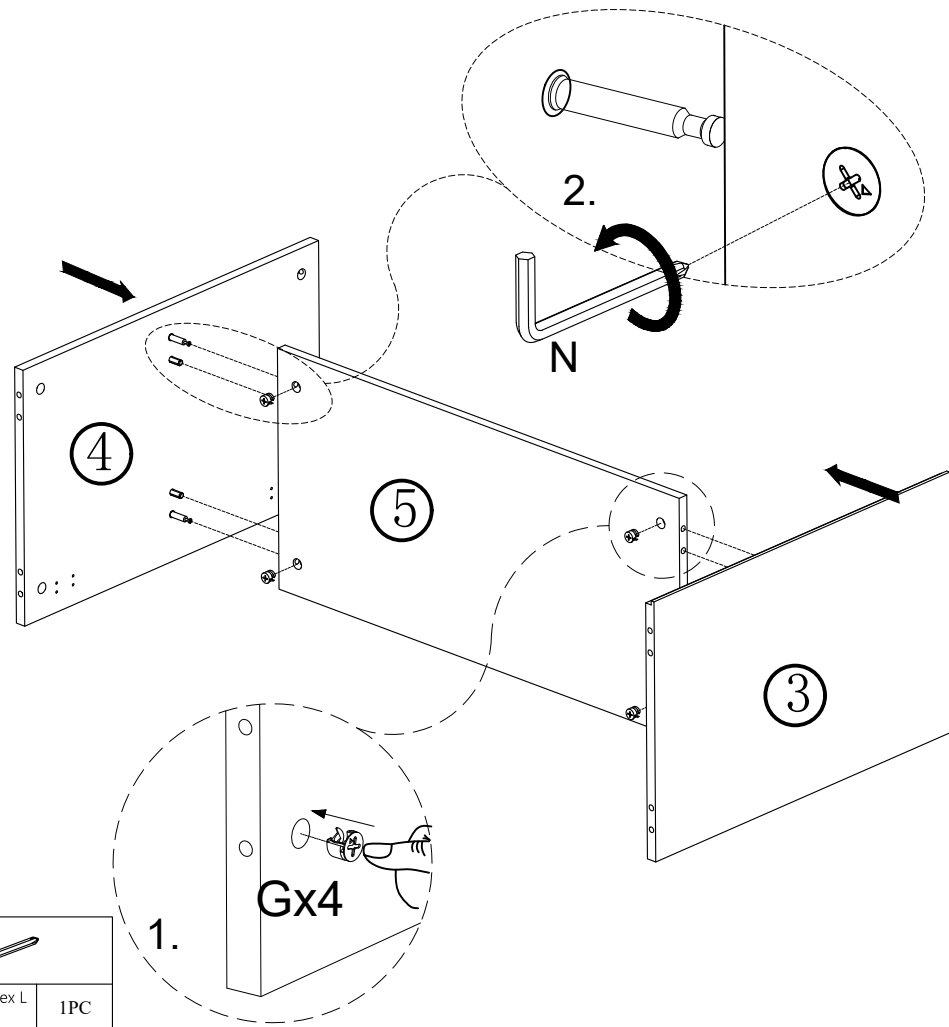
								
F	Cam bolt	6PCS	E	Wood dowel	6PCS	N	Phillips/Hex L Wrench	1PC

Step 4



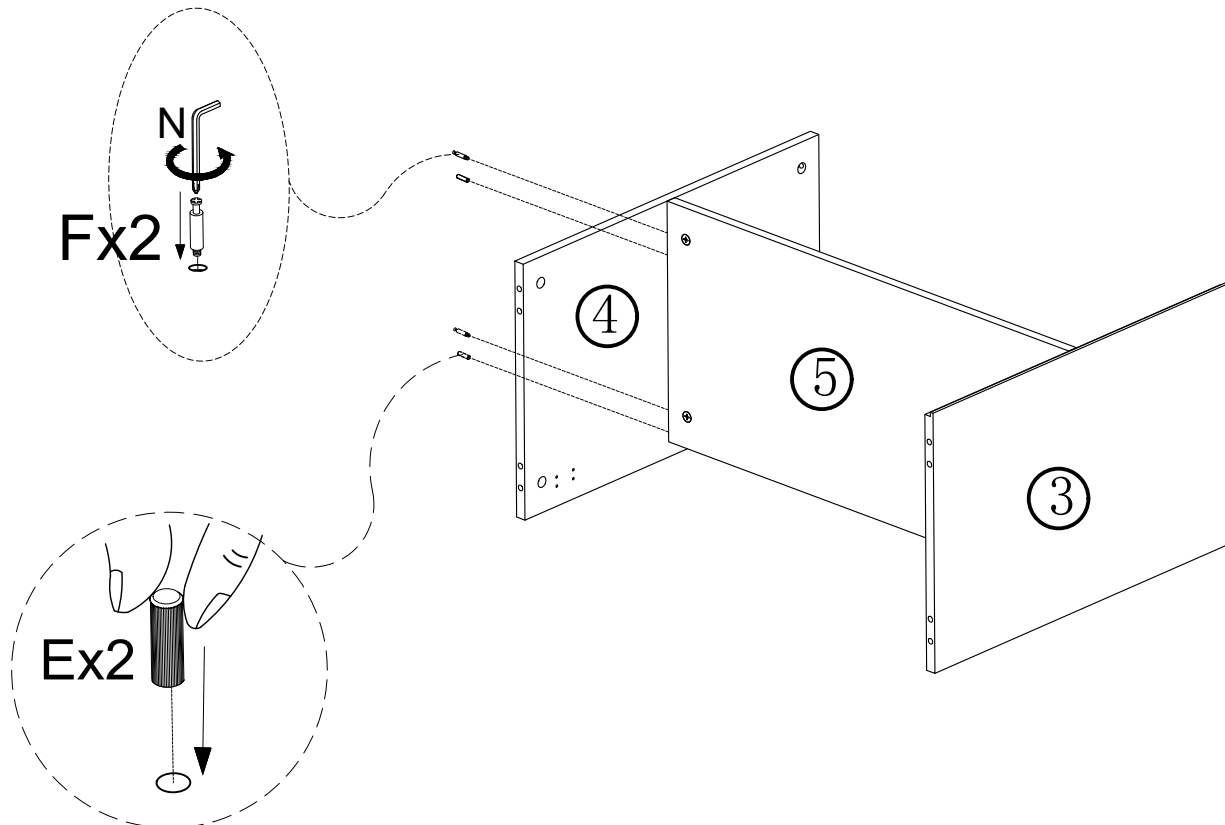
								
F	Cam bolt	6PCS	E	Wood dowel	6PCS	N	Phillips/Hex L Wrench	1PC

Step 5



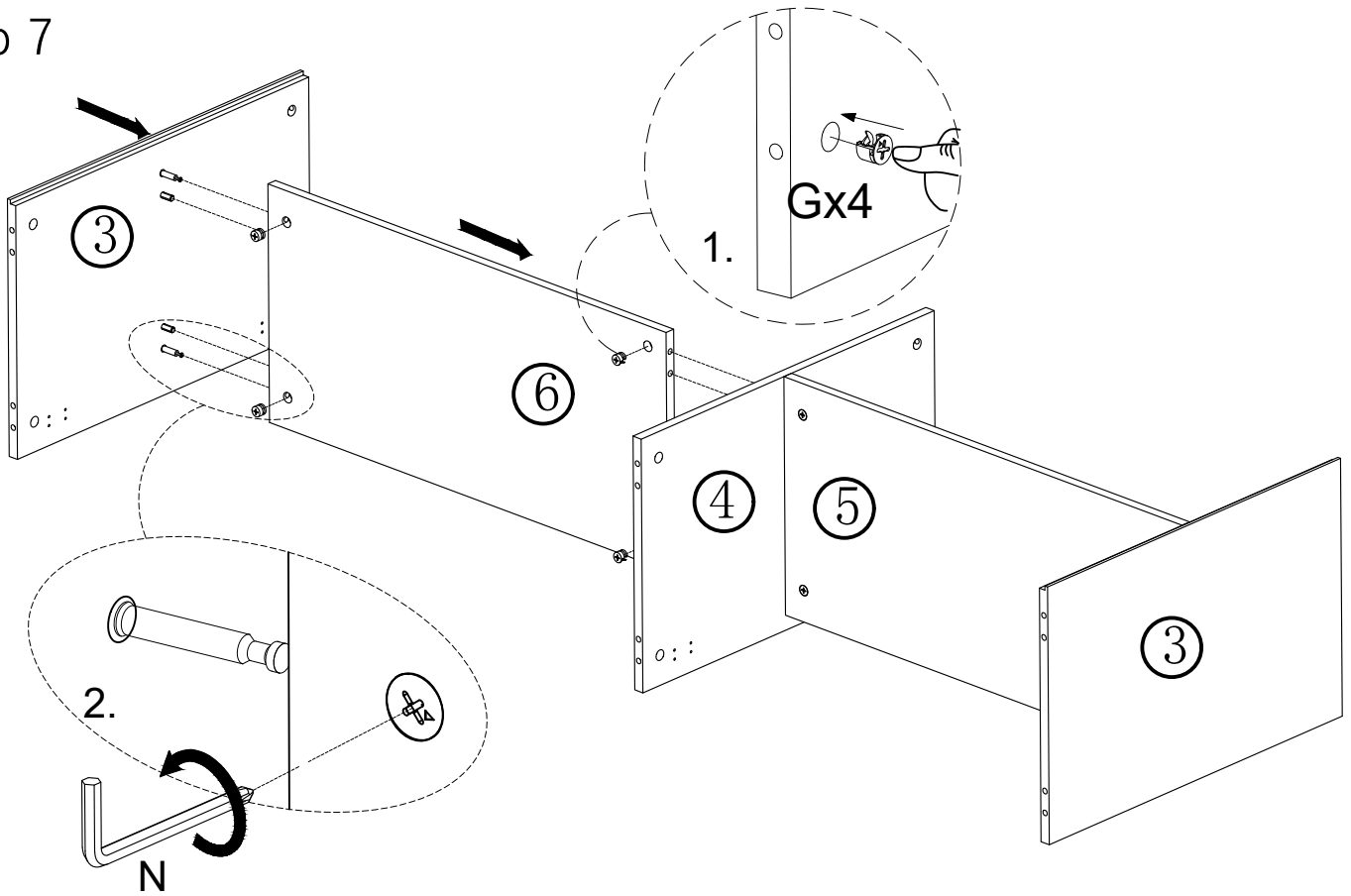
G	Cam lock	4PCS	N	Phillips/Hex L Wrench	1PC

Step 6



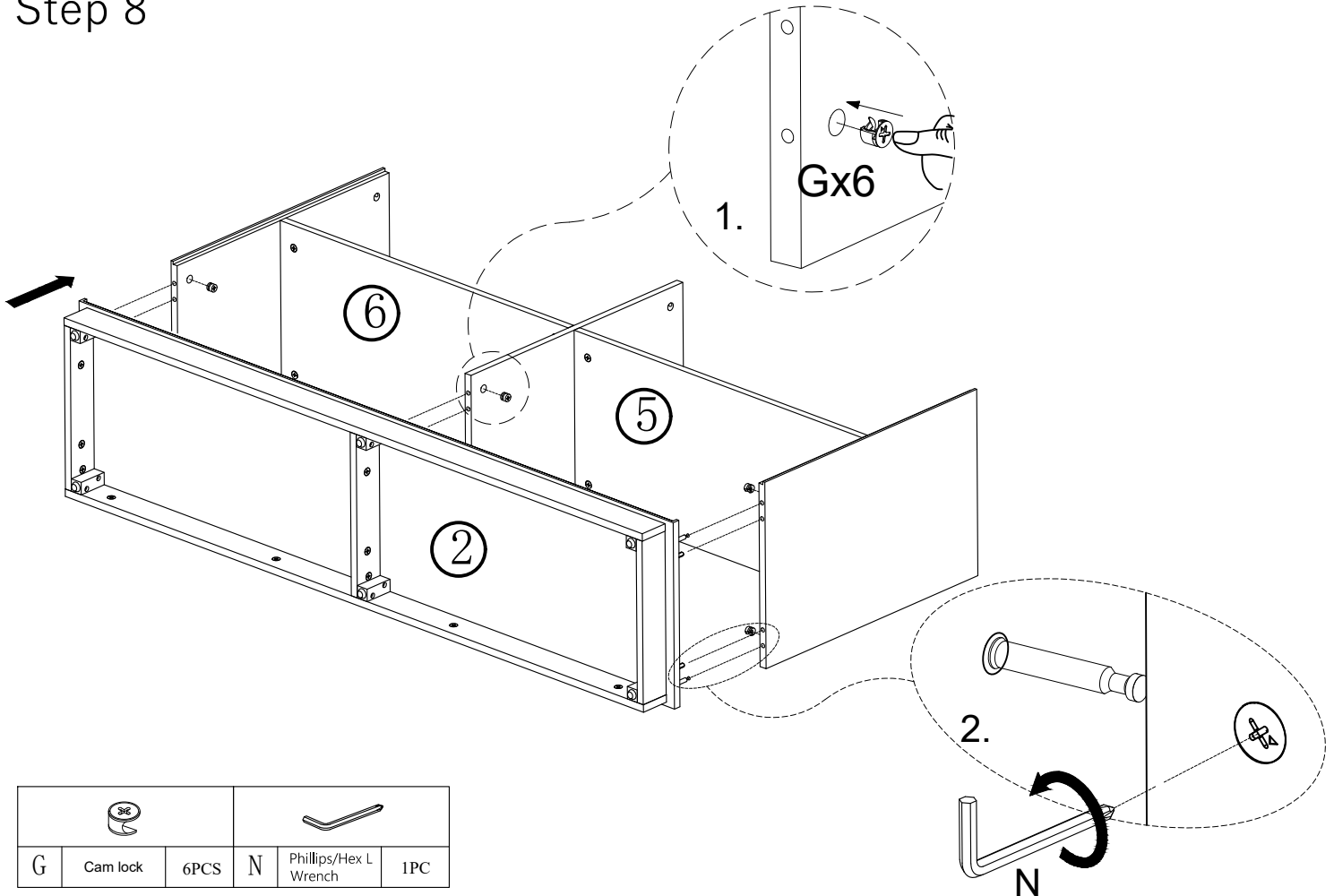
F	Cam bolt	2PC	E	Wood dowel	2PCS
			N	Phillips/Hex L Wrench	1PC

Step 7



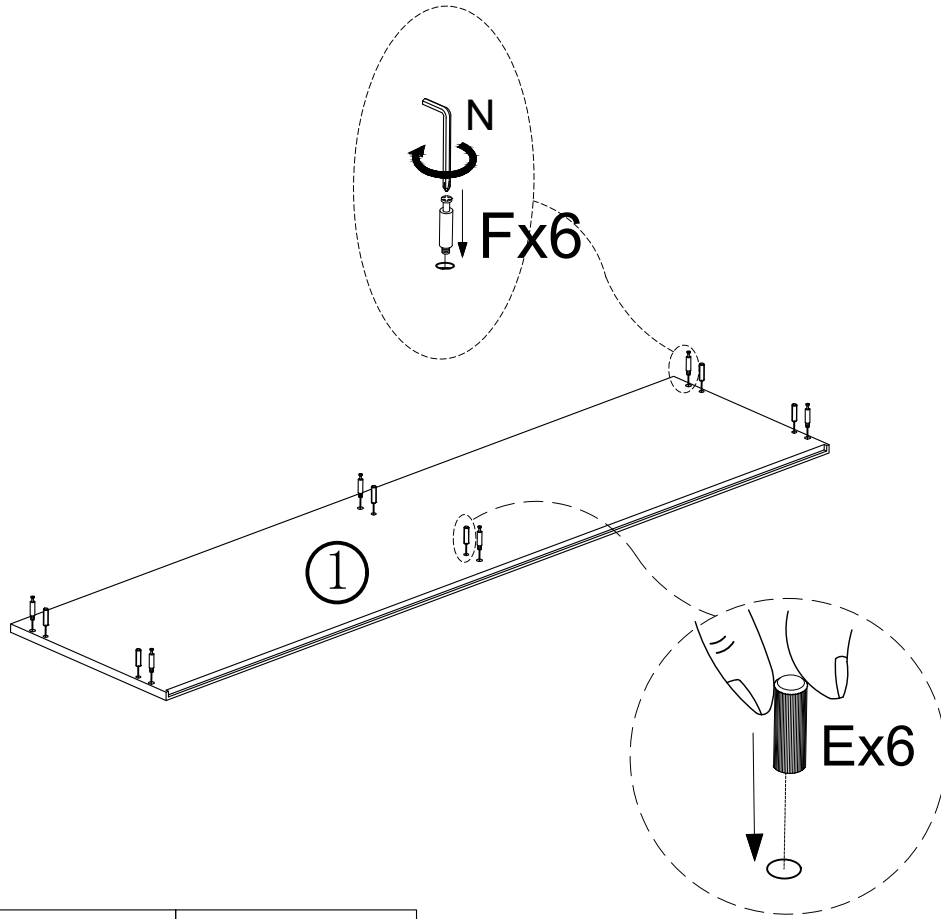
G	Cam lock	4PCS	N	Phillips/Hex L Wrench	1PC

Step 8



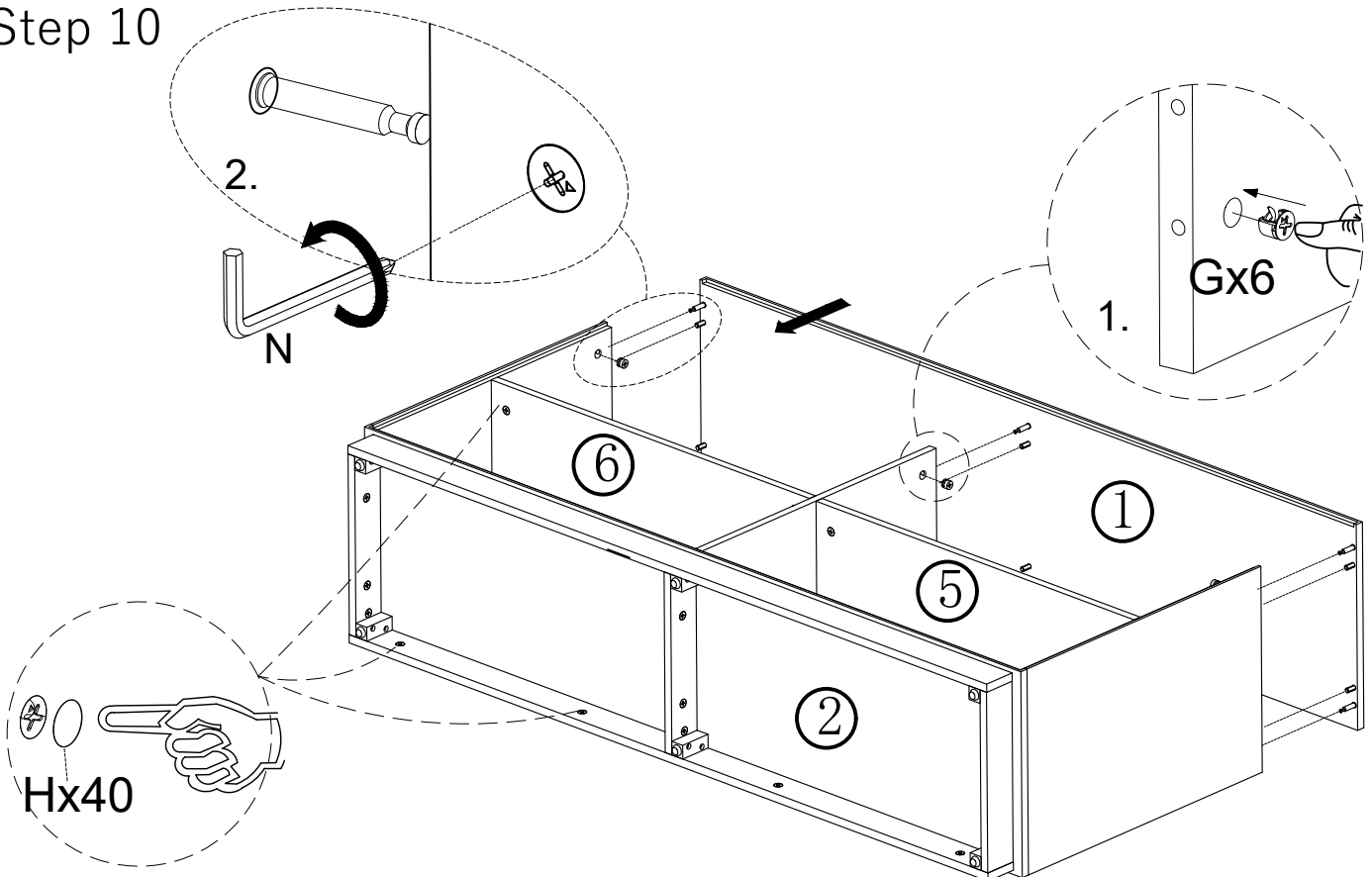
G	Cam lock	6PCS	N	Phillips/Hex L Wrench	1PC

Step 9



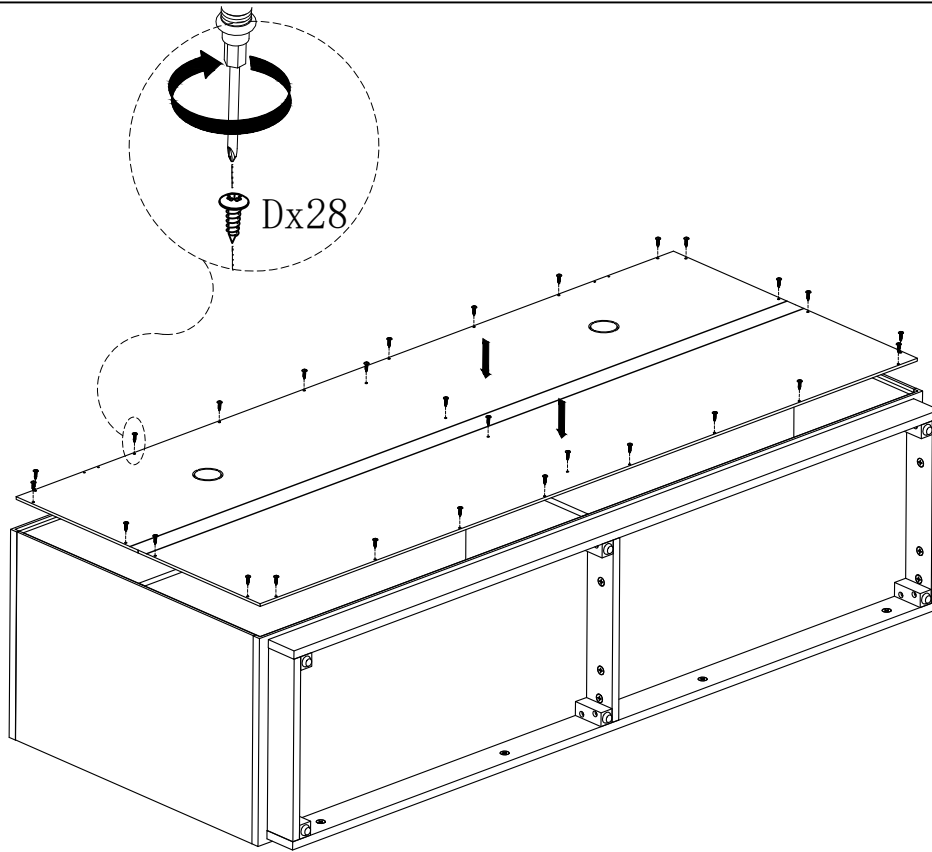
F	Cam bolt	6PCS	E	Wood dowel	6PCS	N	Phillips/Hex L Wrench	1PC



Step 10



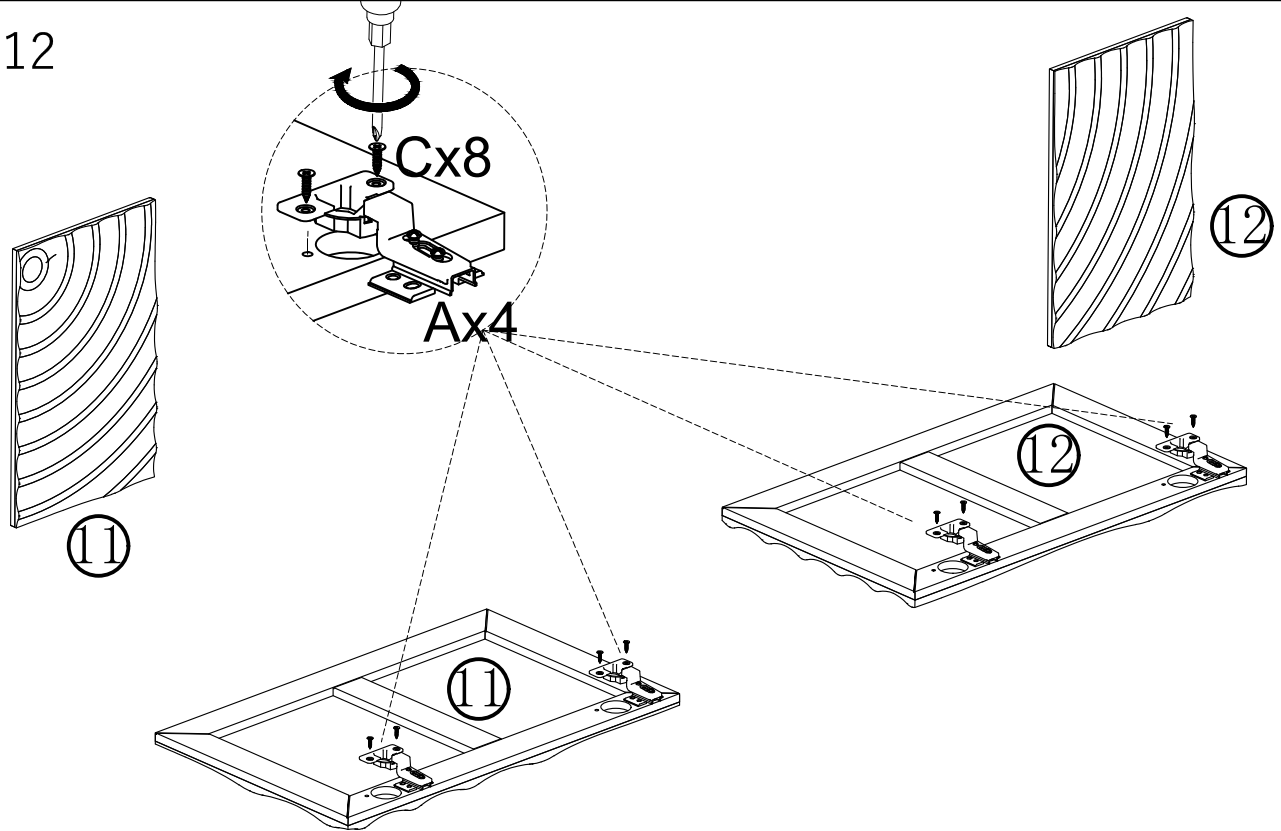
G	Cam lock	6PCS	H	Cam cover	40PCS	N	Phillips/Hex L Wrench	1PC

Step 11



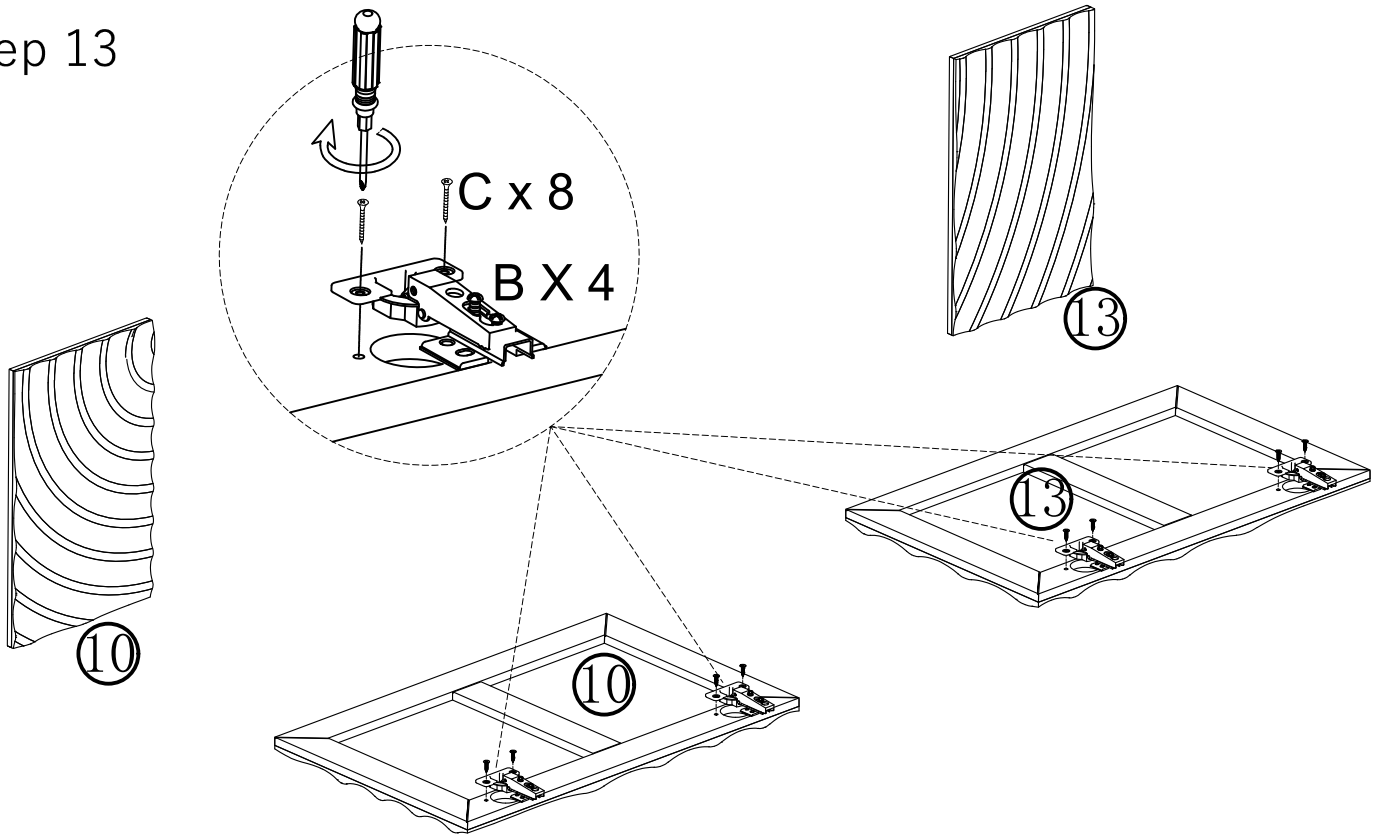
			
D	Ø3.5x15mm screws	28pcs	Not included




Step 12



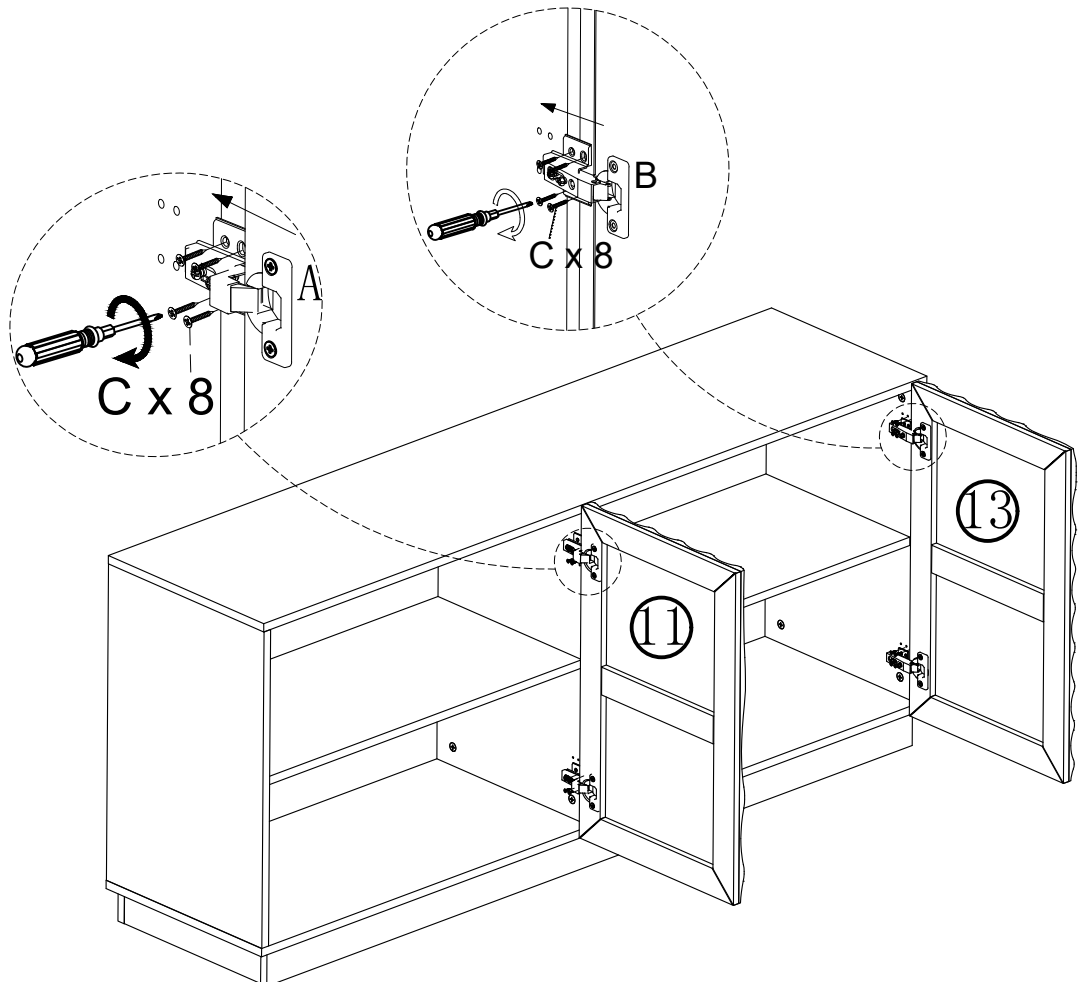
					
A	Smaller cuts for middle doors	4PCS	C	Ø4x14mm screws	8PCS
Not included					

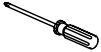

Step 13



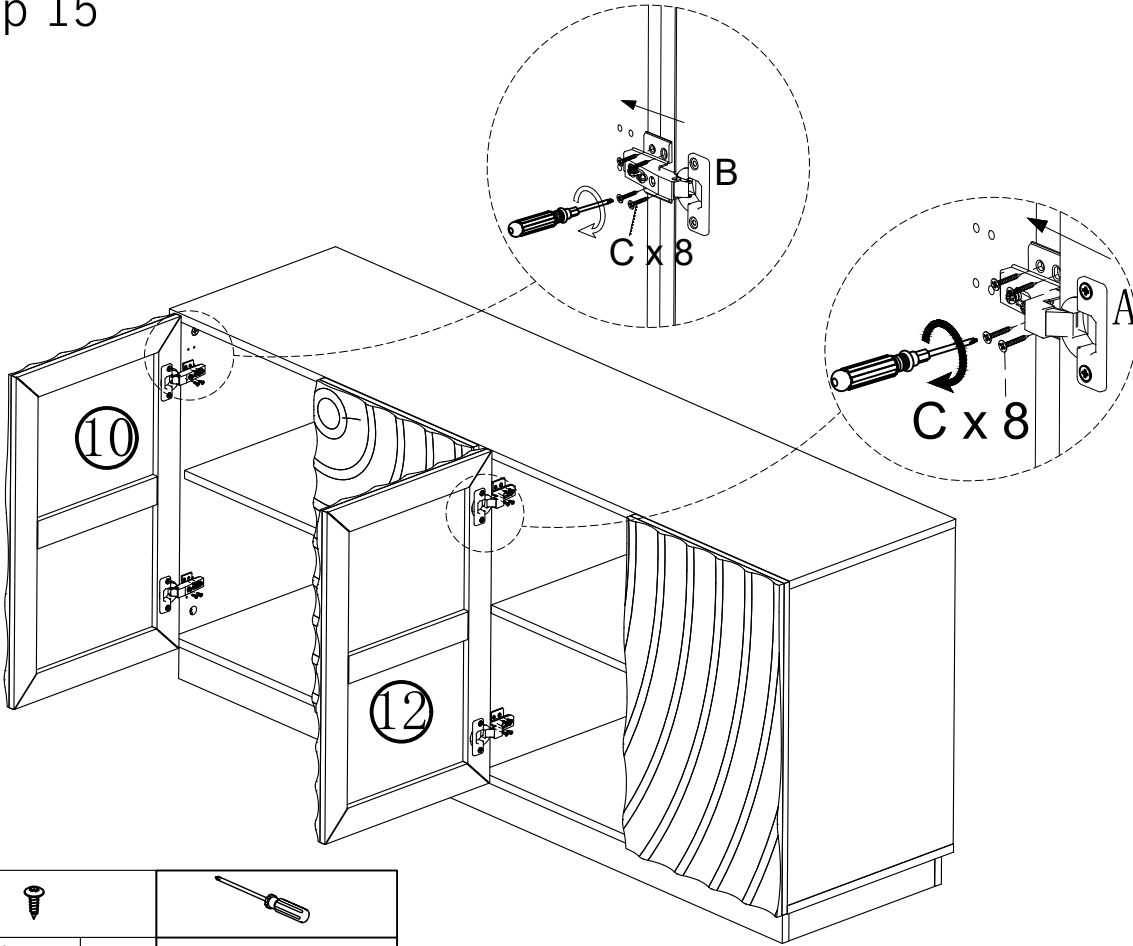
			
B	Straight arm soft-closing hinges for side door	4PCS	C
		Ø4x14mm screws	8PCS
			Not included


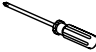
Step 14



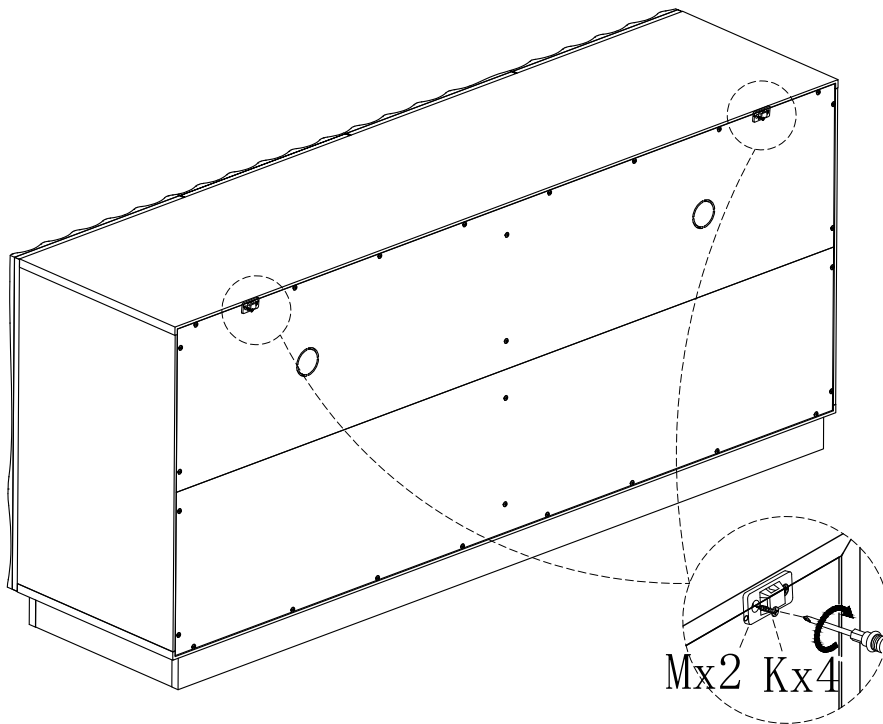
			
	Not included		
C	Ø4x14mm screws	16PCS	


Step 15



		
C	Ø4x16mm screws 16PCS	Not included

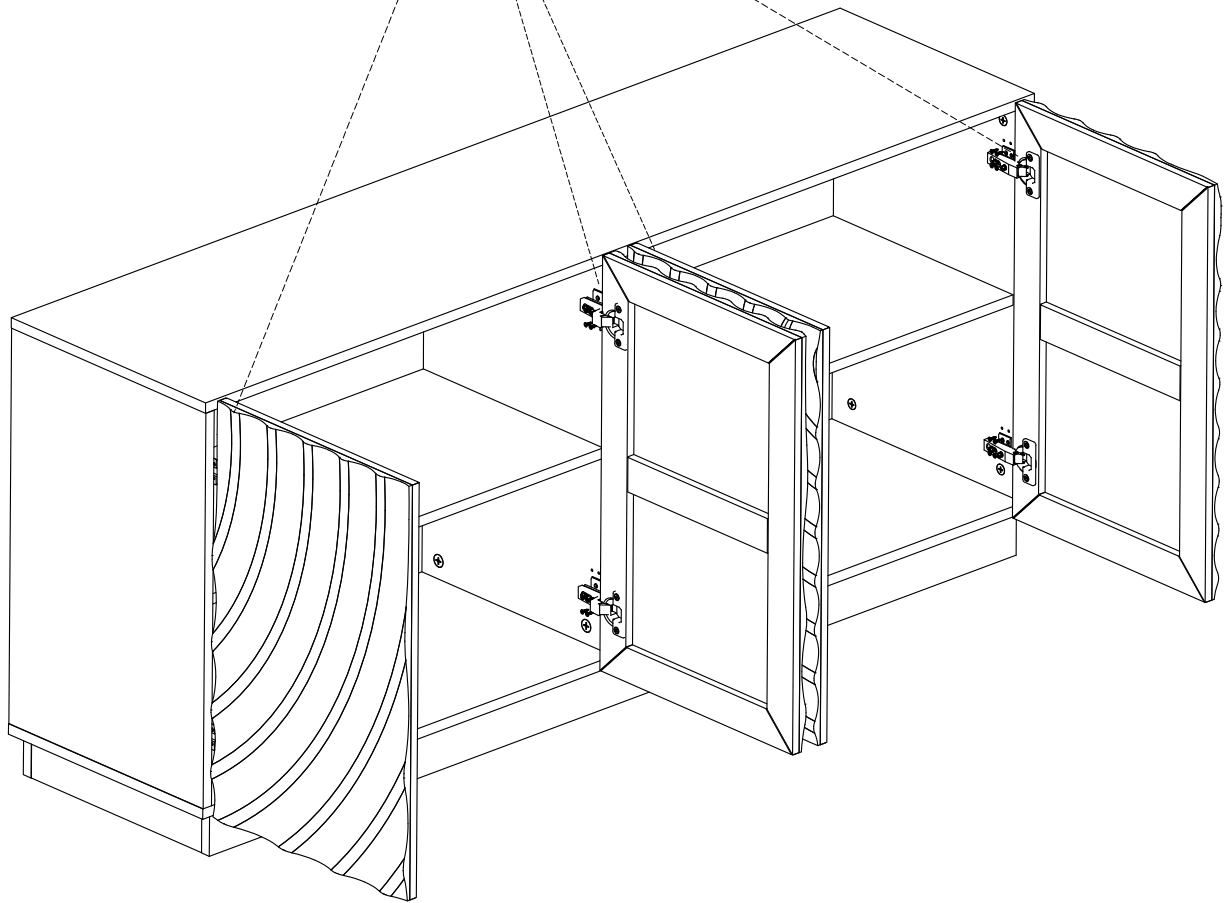
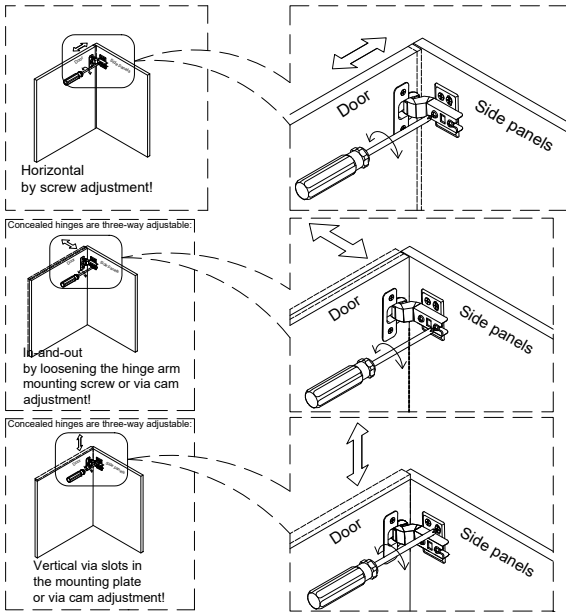
Step 16



			
M	Mounting Brackets 2PCS	K	M3.5x19mm screws 4PCS
			Not included

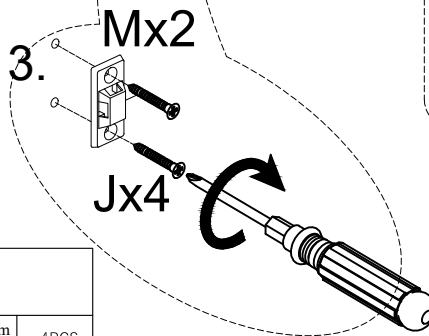
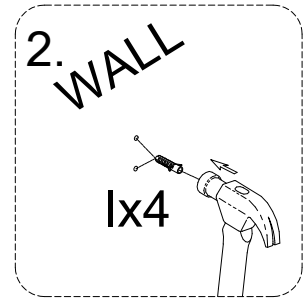
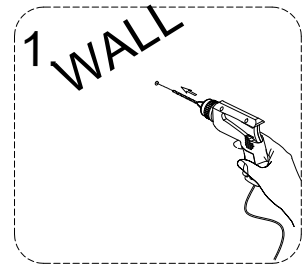
Step 17

Note: Concealed hinges are three-way adjustable.



Step 18

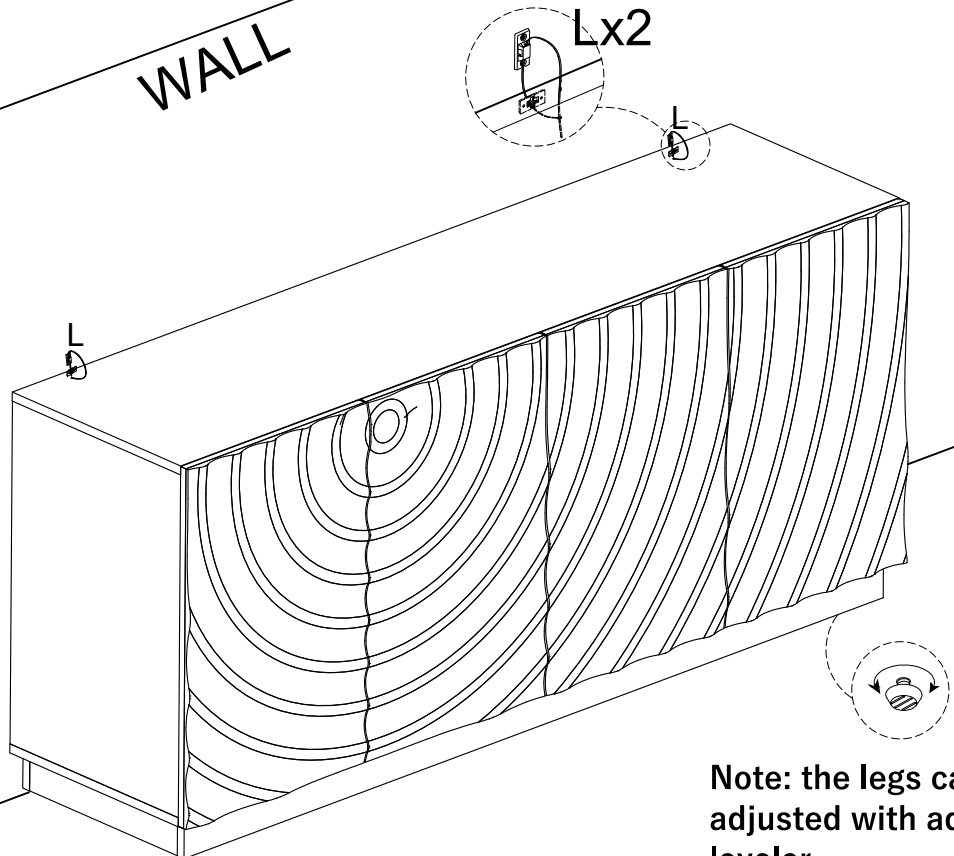
WALL



		Not included							
M	Mounting Brackets	2PCS	I	Plastic Anchor (Wall Plug)	4PCS	J	M3.5x38mm screws	4PCS	

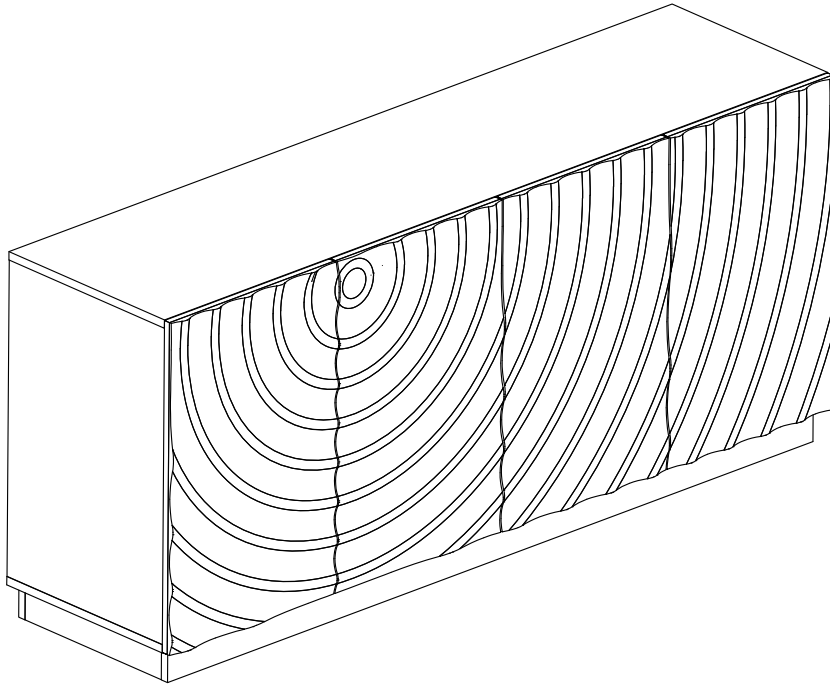
Step 19

WALL



L	Nylon Restraint Strap	2PCS	

Note: the legs can be adjusted with adjustable leveler.



Your Item is ready for use.
This Item should only be used on a flat, level surface.

Care & Maintenance

- Furniture may scratch the floor. We recommend using furniture pads to protect your floors.
- Avoid placing heavy objects on the tabletop.
- Do not put hot items directly on furniture surface.
- Do not clean furniture with harsh cleansers or polishers.
- Do not place furniture under direct sunlight.
- Do not place furniture near heating or cooling vents.
- Do not expose the product to high temperatures or humid environments.
- Do not write on furniture without a padded barrier to protect the surface.
- Do not place furniture outside. For indoor use only.
- Stains may be removed with mild soap solution and damp cloth.
- Children should not climb or jump on the furniture.
- Dust and clean up spills using a clean, non-colored, lint-free cloth.
- Regularly check screws to ensure stability.

Dear Customer,

Thank you for your purchase! We are committed to providing you with high-quality products and services. We hope you enjoy the comfort and convenience brought by this Item. If you have any further questions or any quality issues, please don't hesitate to contact our Customer Service People: