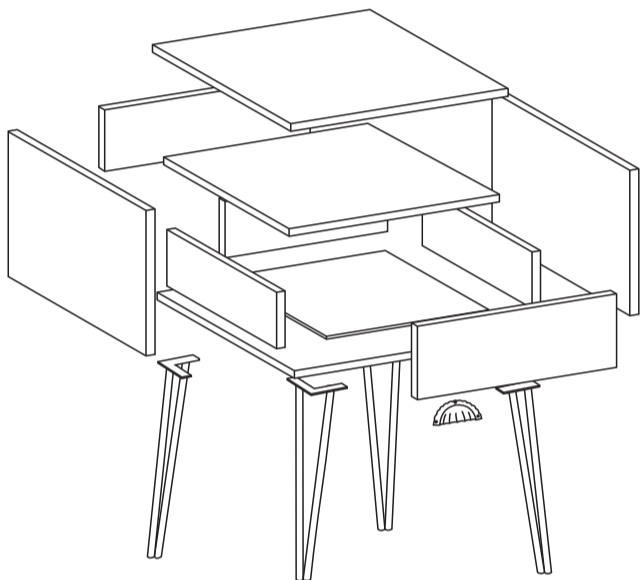
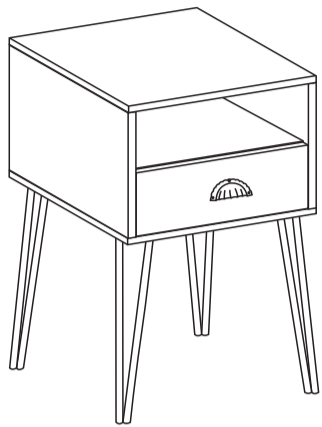


# Assembly Instructions

**Tips!** Check all the components & screws before assembly. Do not install in case part is missing, contact us to get.



Components							
1		400x400x15mm	1	7		364x130x15mm	1
2		400x400x15mm	1	8		335x100x15mm	1
3		230x400x15mm	1	9		335x100x15mm	1
4		230x400x15mm	1	10		343x100x15mm	1
5		368x384x15mm	1	11		345x323x4 5mm	1
6		368x120x15mm	1	12		342x104mm	4
Screws&Tools							
A			20	B		M6X10mm	16
D		ST5X40mm	4	F		ST3X12mm 3pcs	3
G			1	H			1

"A" Hardware  
Assembly example

