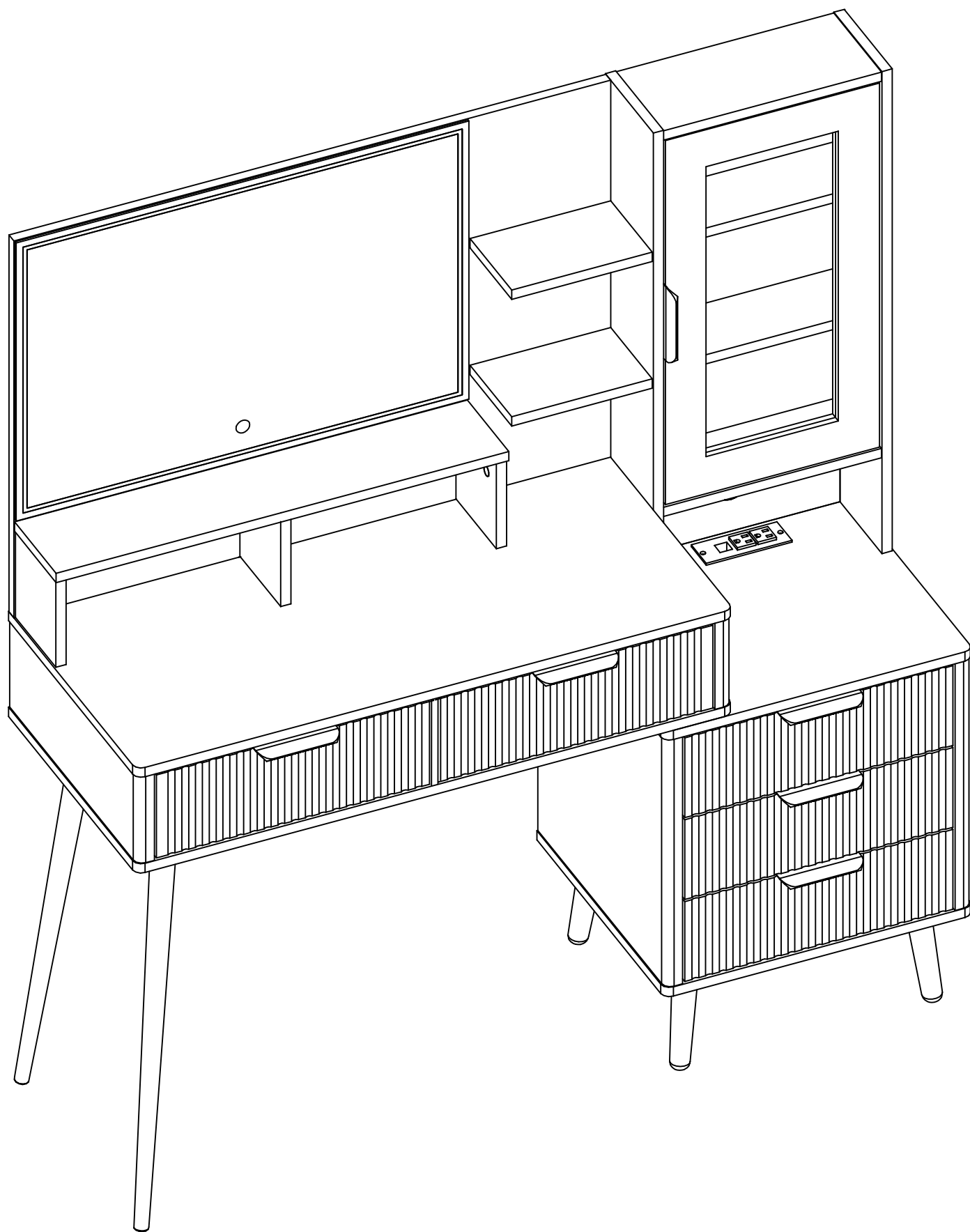
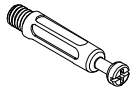

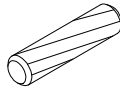
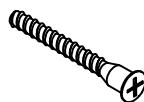
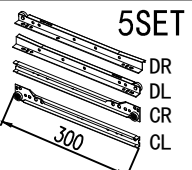
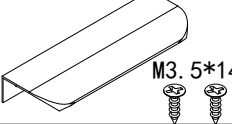



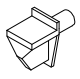
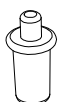
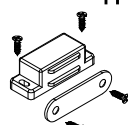

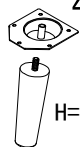
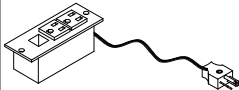
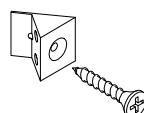
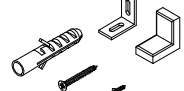
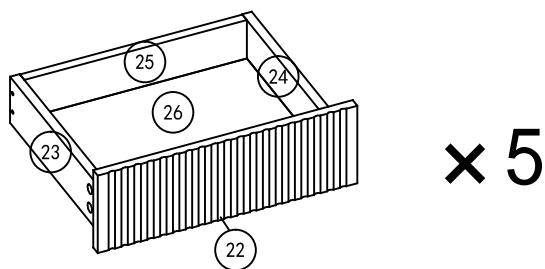
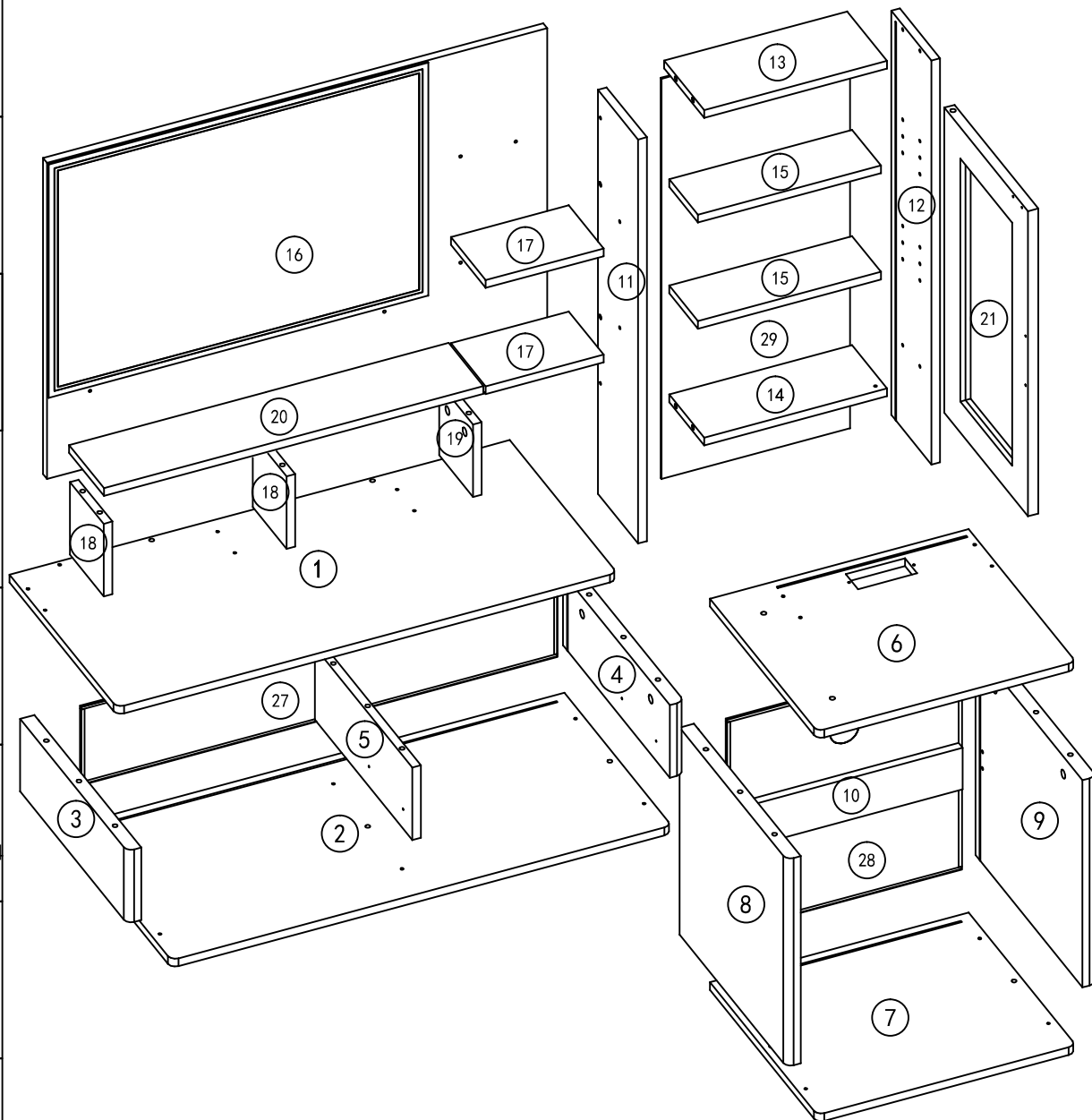


# DRESSING TABLE

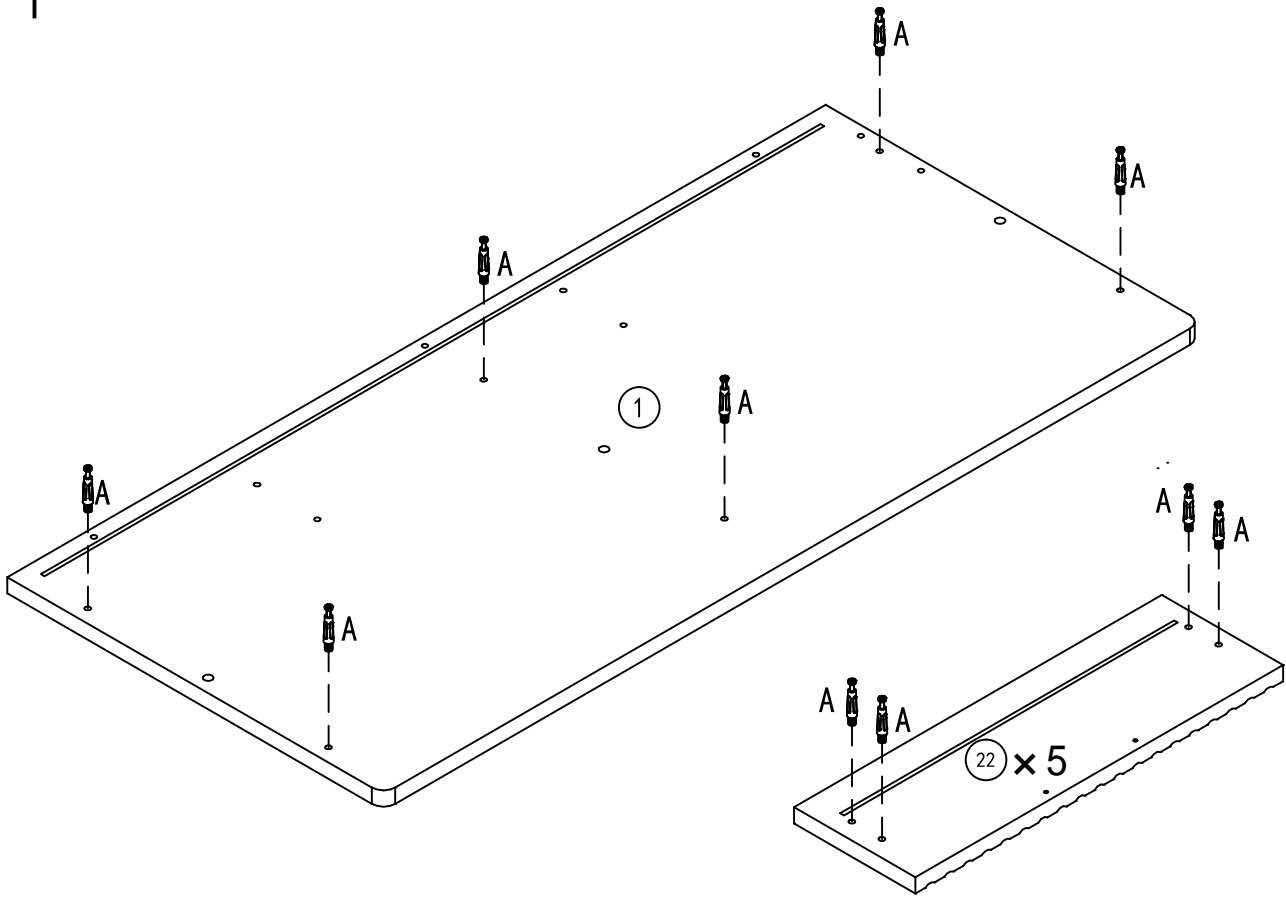



<b>A</b>	48PCS	
<b>B</b>	48PCS Φ 15*11	
<b>C</b>	14PCS Φ 8*40	
<b>D</b>	34PCS M5*40	
<b>E</b>	5SET	 DR DL CR CL 300
<b>F</b>	6PCS M3.5*14	
<b>G</b>	20PCS M3.5*35	
<b>H</b>	72PCS M3.5*14	
<b>J</b>	2PCS M6*25	
<b>K</b>	8PCS	
<b>L</b>	2PCS	
<b>M</b>	1PCS	
<b>N</b>	2PCS H=580mm	
<b>O</b>	4PCS H=150mm	
<b>P</b>	1PCS	
<b>Q</b>	12PCS	
<b>R</b>	2PCS	



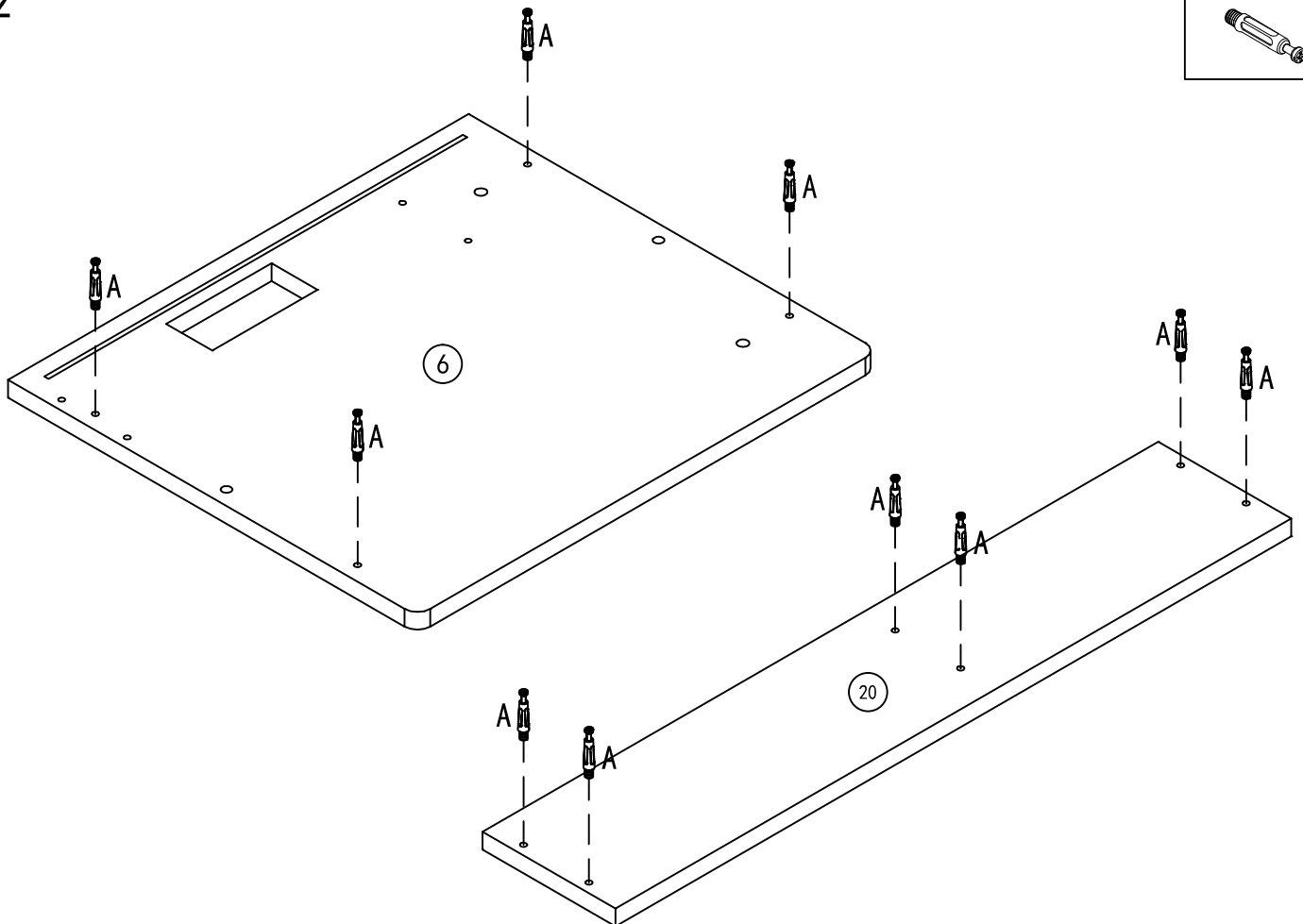

1

A 26PCS

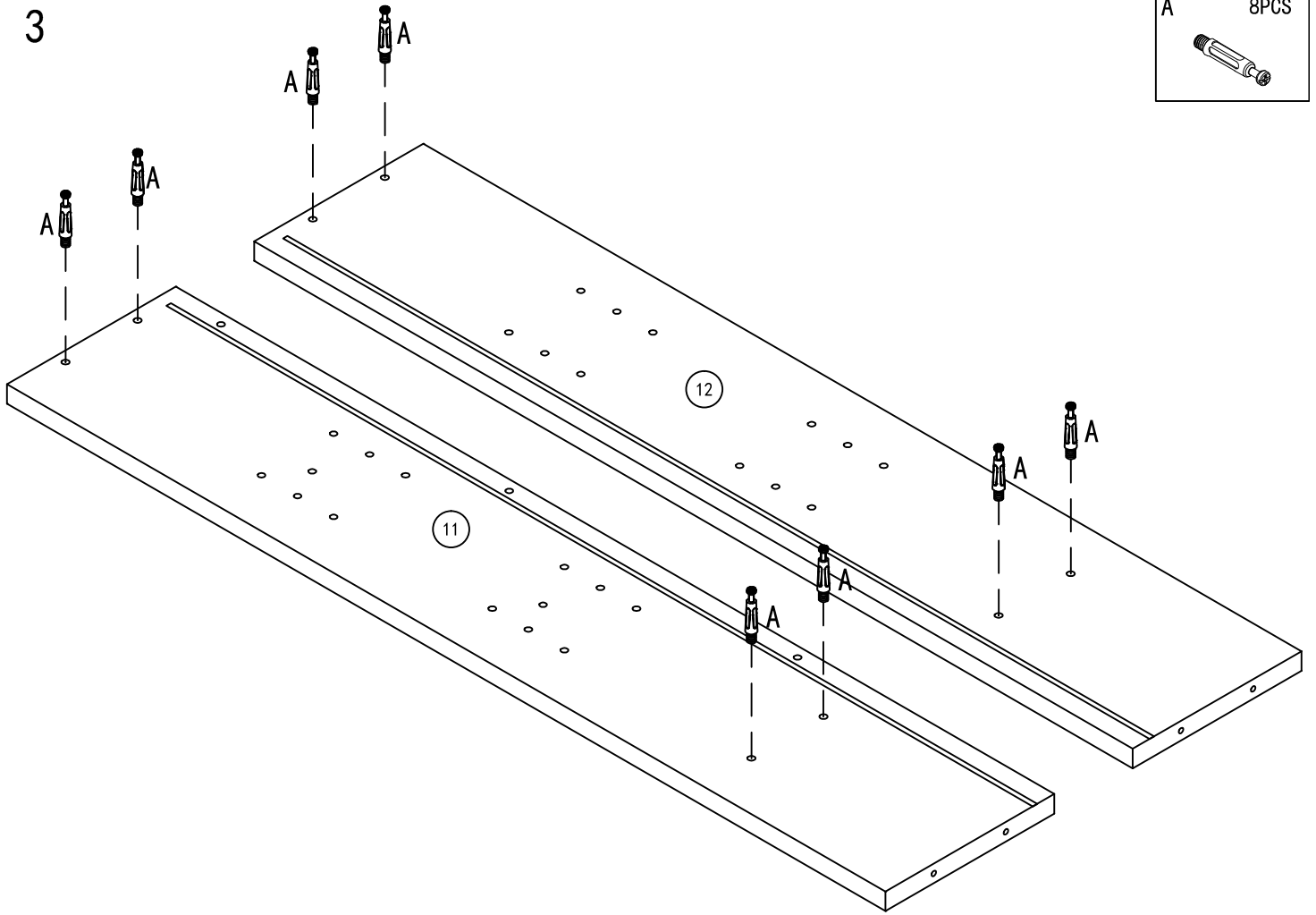


2

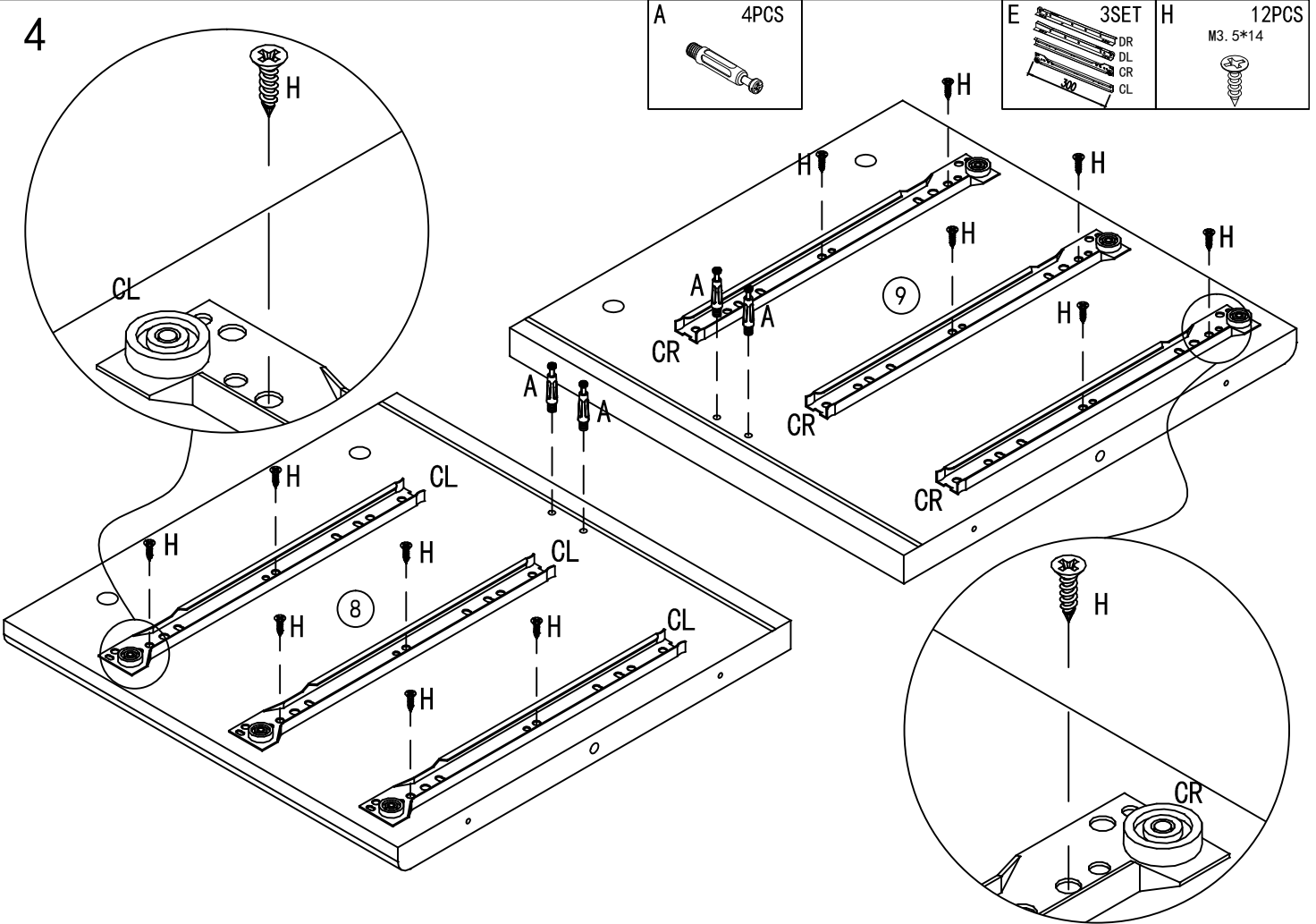
A 10PCS



3

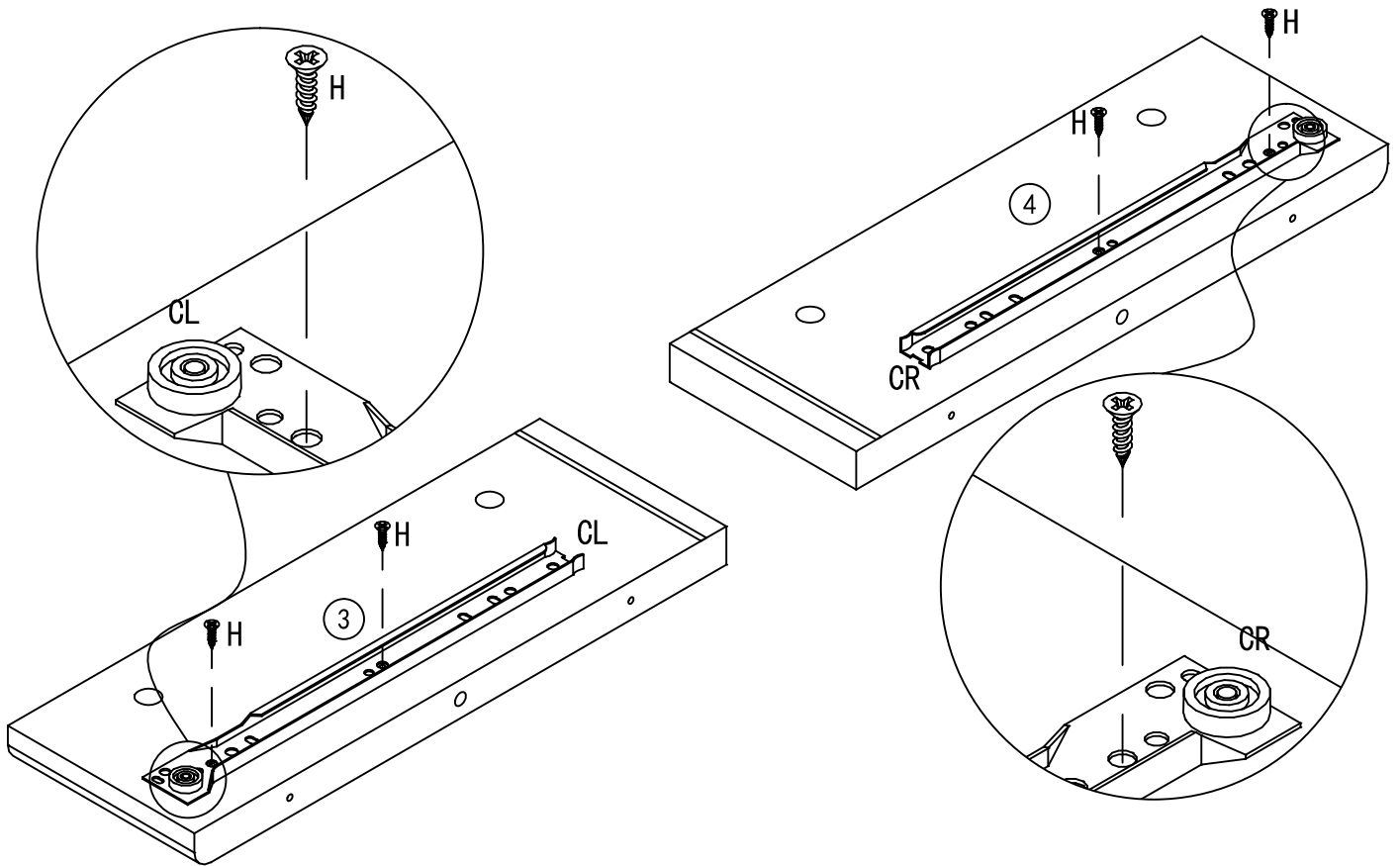


4



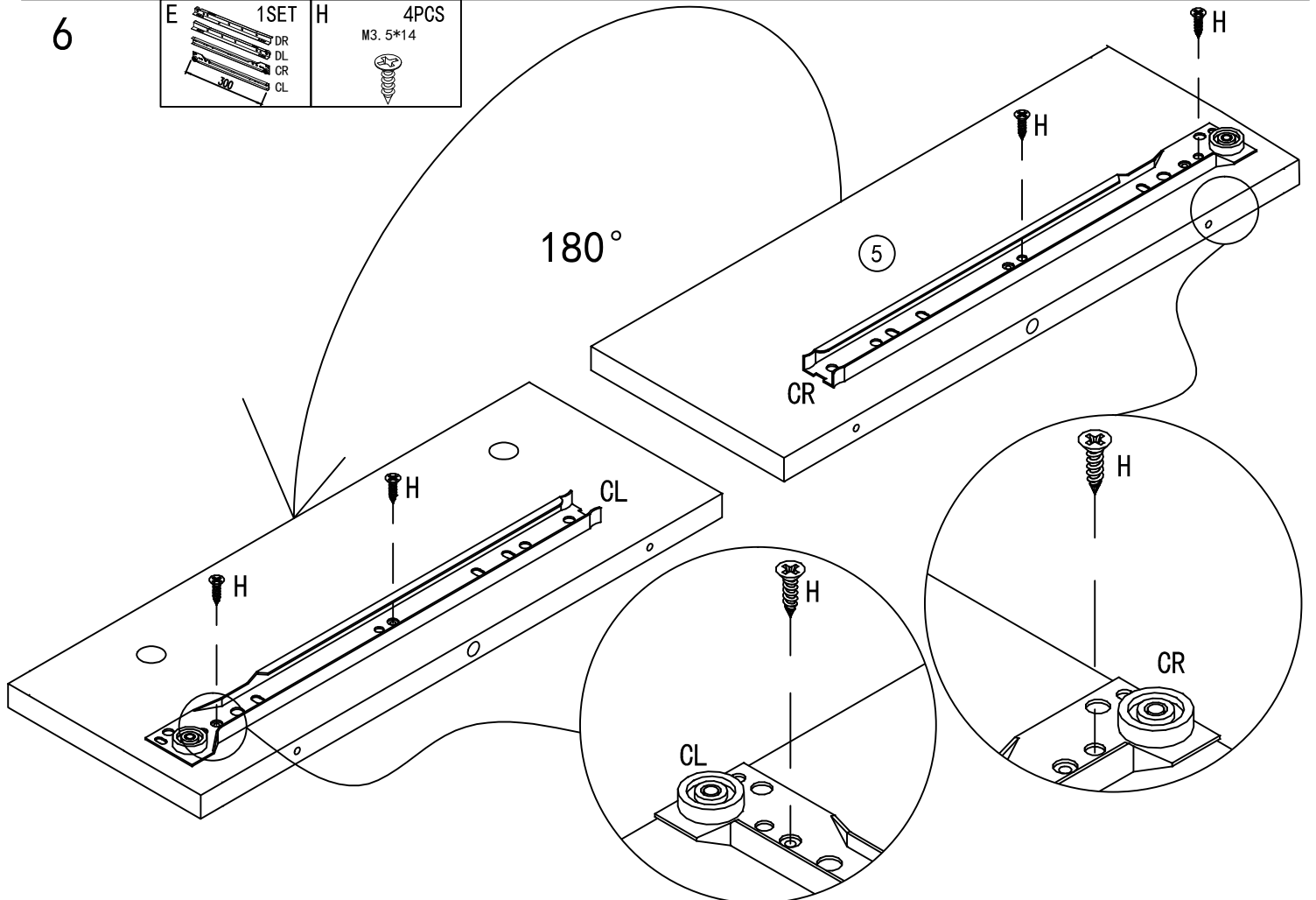
5

E	1SET	H	4PCS
	DR		M3.5*14
	DL		
	CR		
	CL		



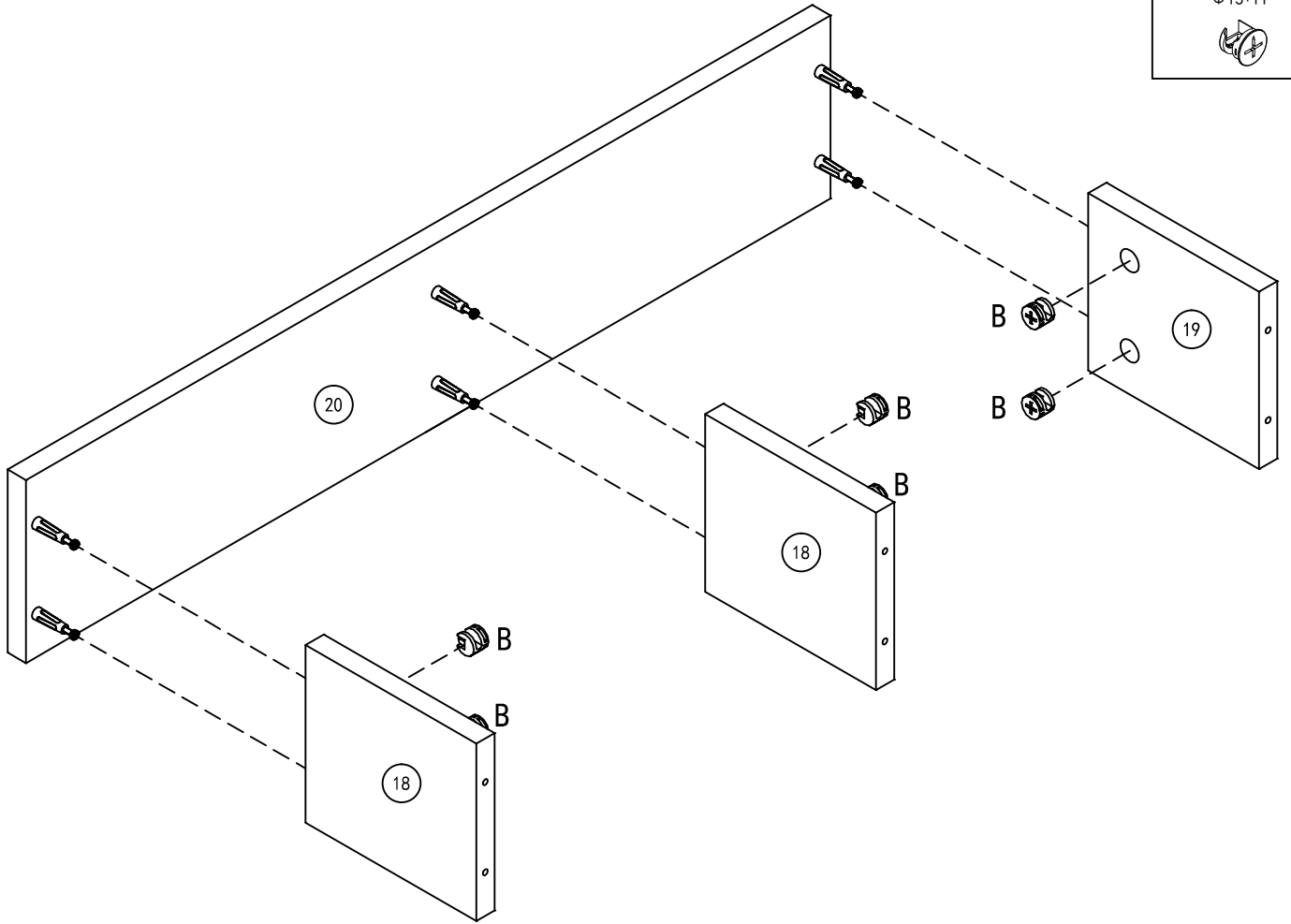
6

E	1SET	H	4PCS
	DR		M3.5*14
	DL		
	CR		
	CL		



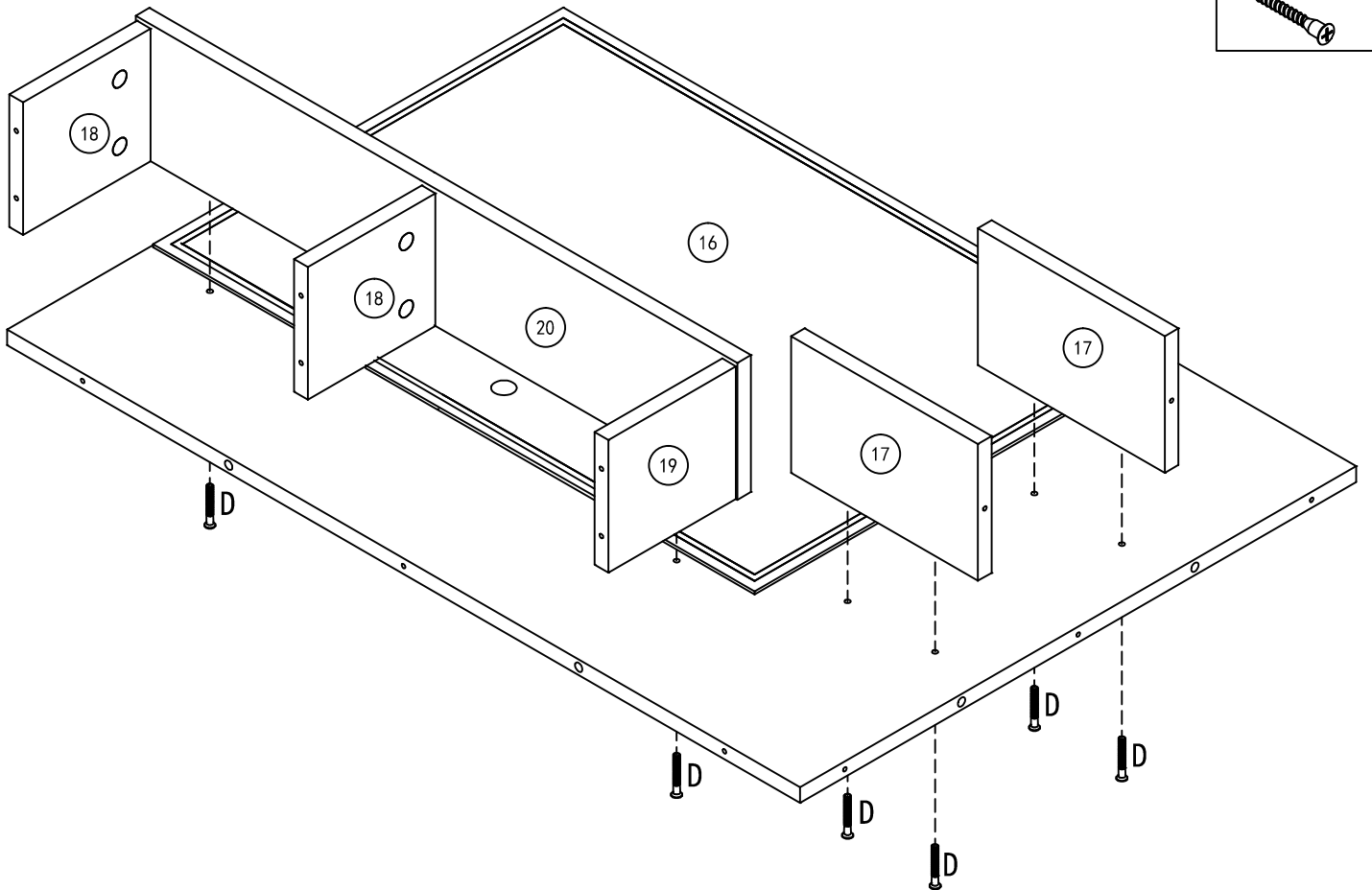
7

B 6PCS  
Φ 15\*11



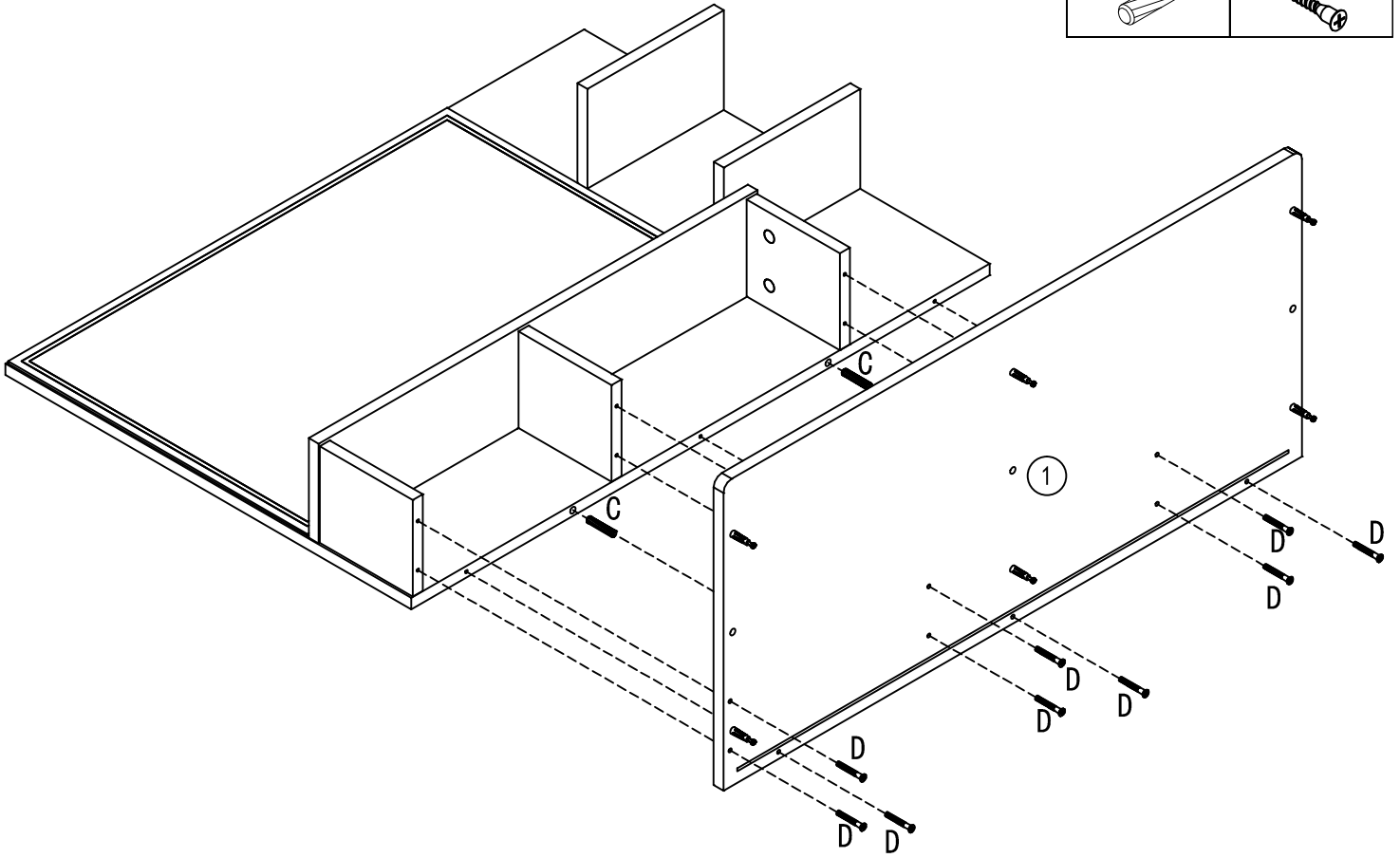
8

D 6PCS  
M5\*40



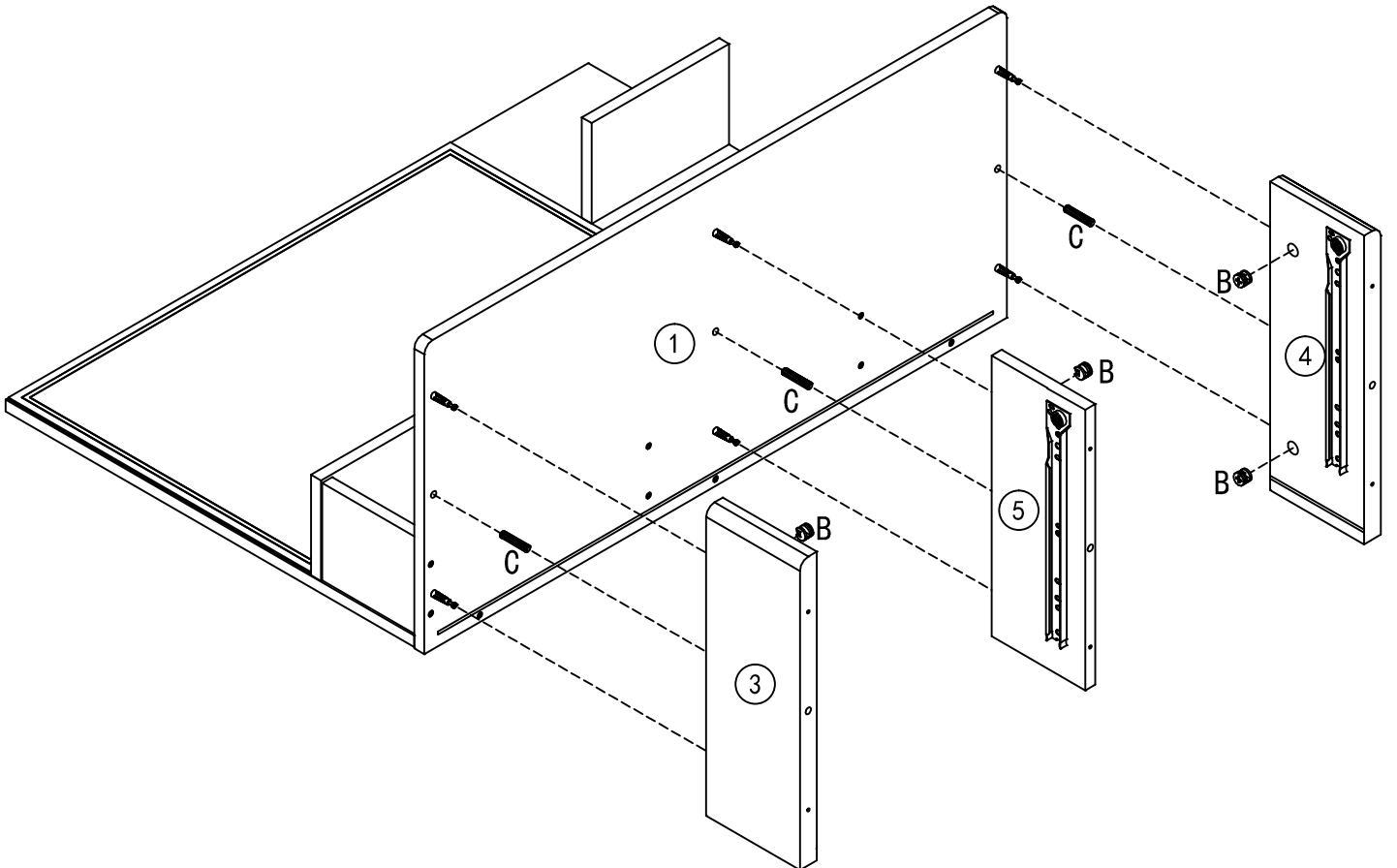
9

<b>C</b> 2PCS Φ 8*40	<b>D</b> 9PCS M5*40
----------------------------	---------------------------

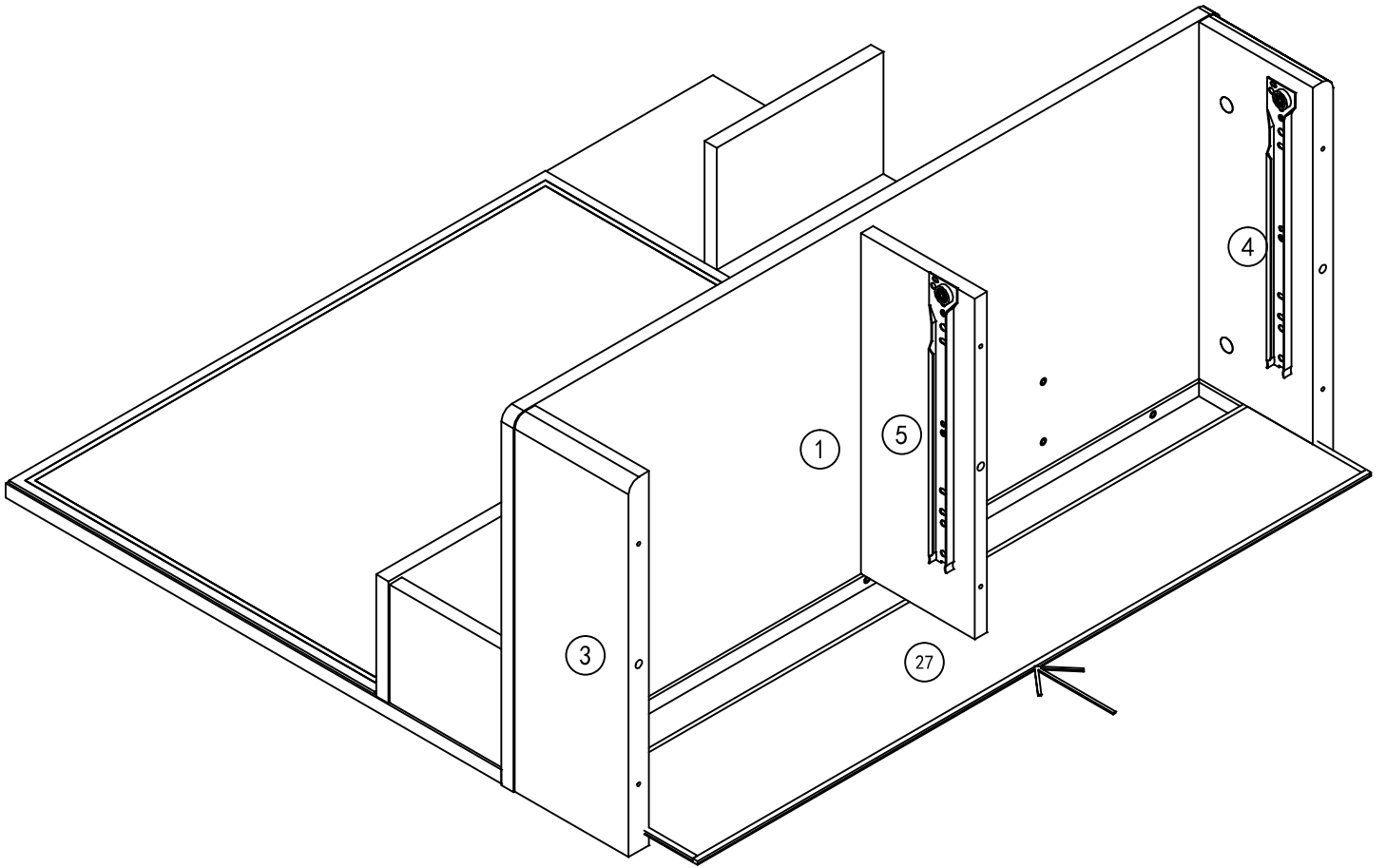


10

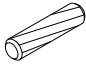

<b>B</b> 6PCS Φ 15*11	<b>C</b> 3PCS Φ 8*40
-----------------------------	----------------------------

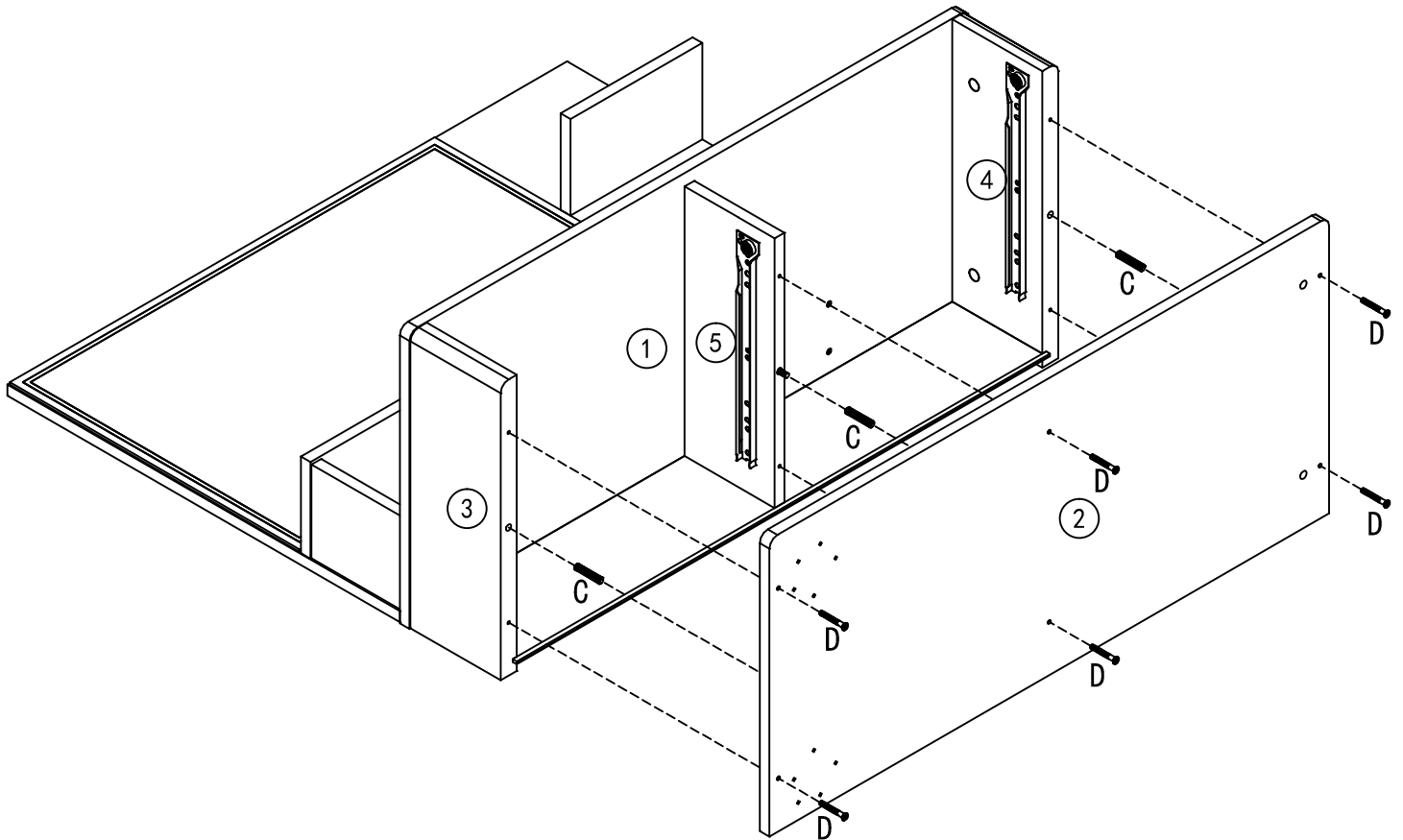


11

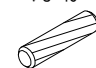



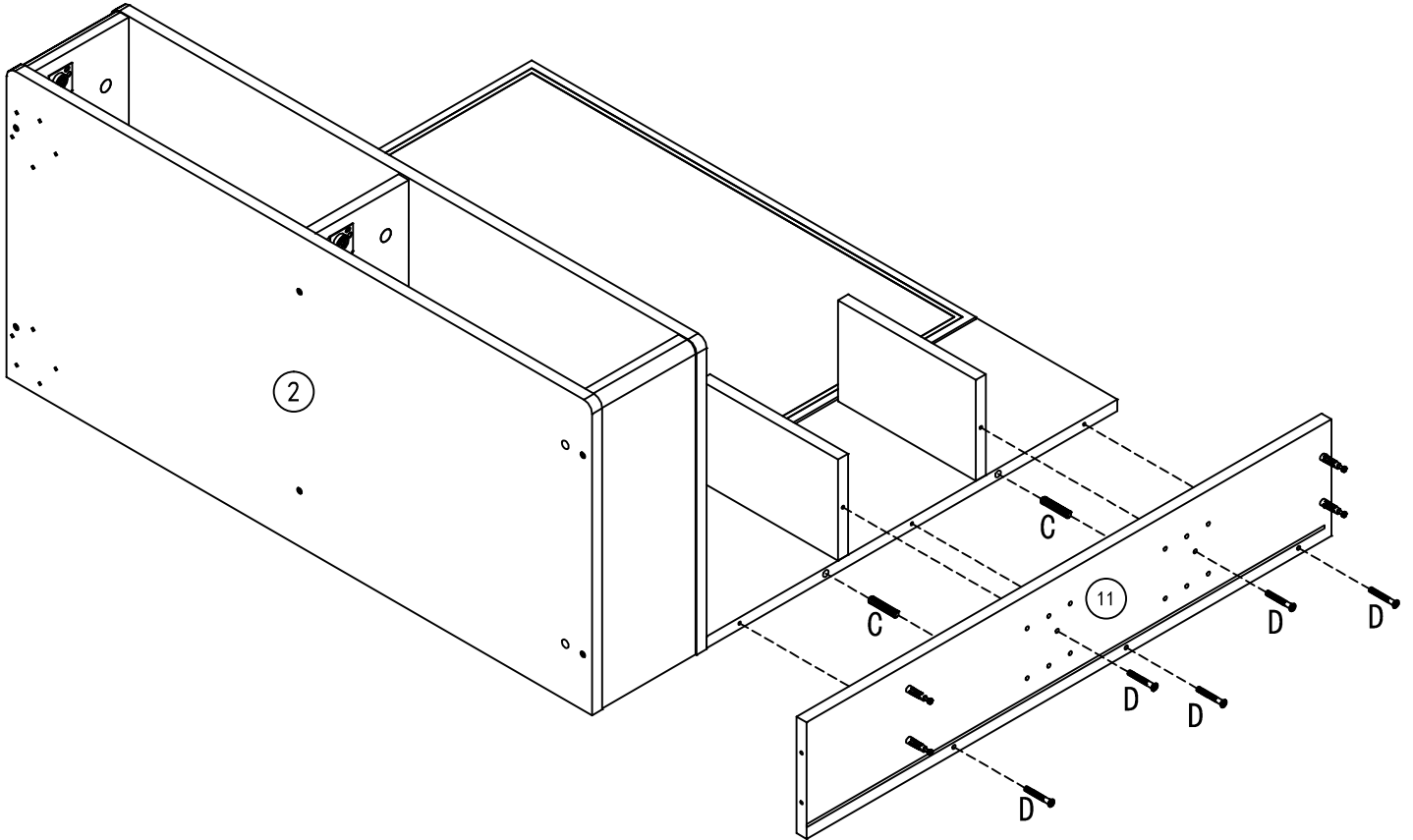
12

<b>C</b>	3PCS	<b>D</b>	6PCS
	φ 8*40		M5*40
			




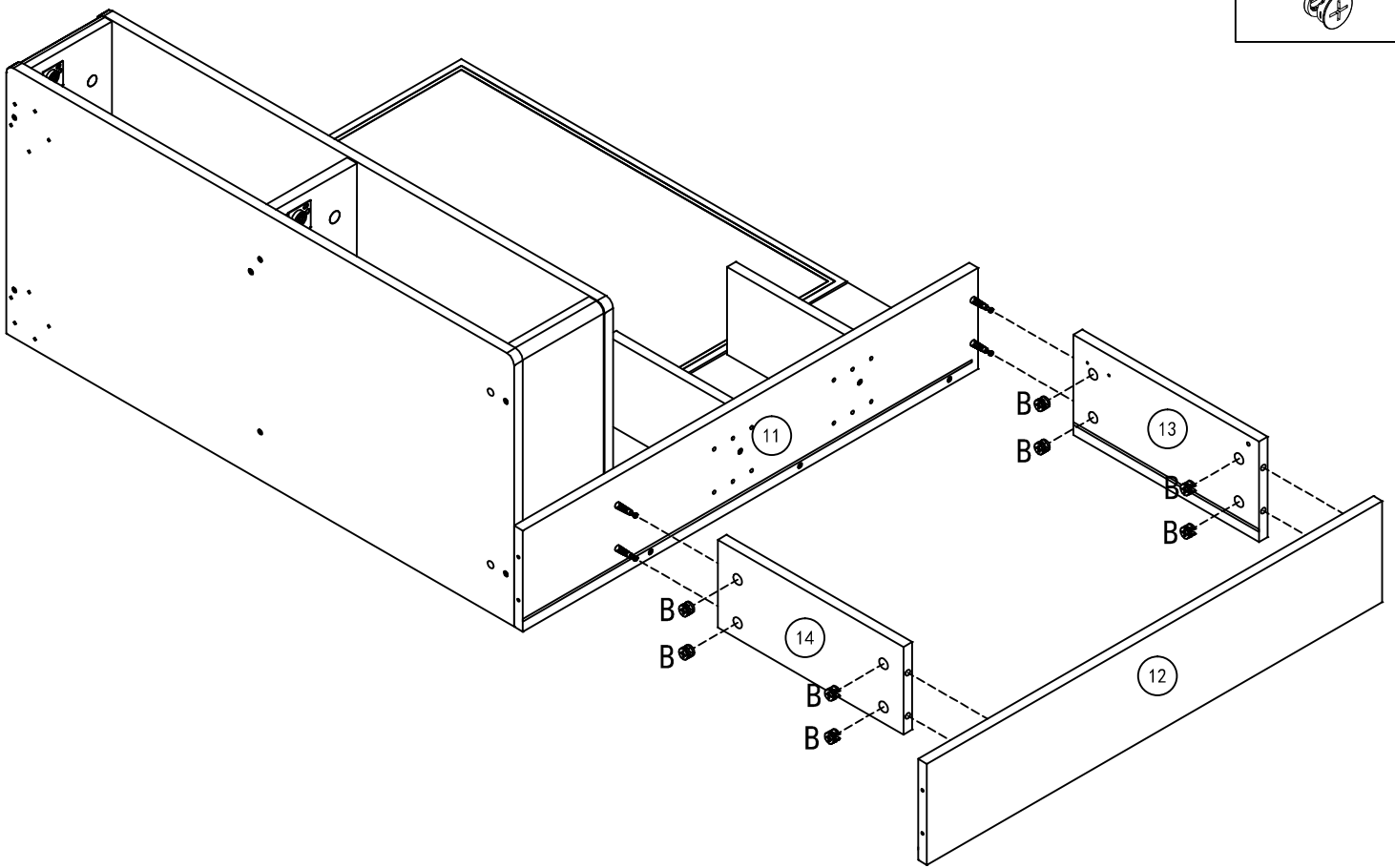
13

C 2PCS Φ 8*40 	D 5PCS M5*40 
--	---

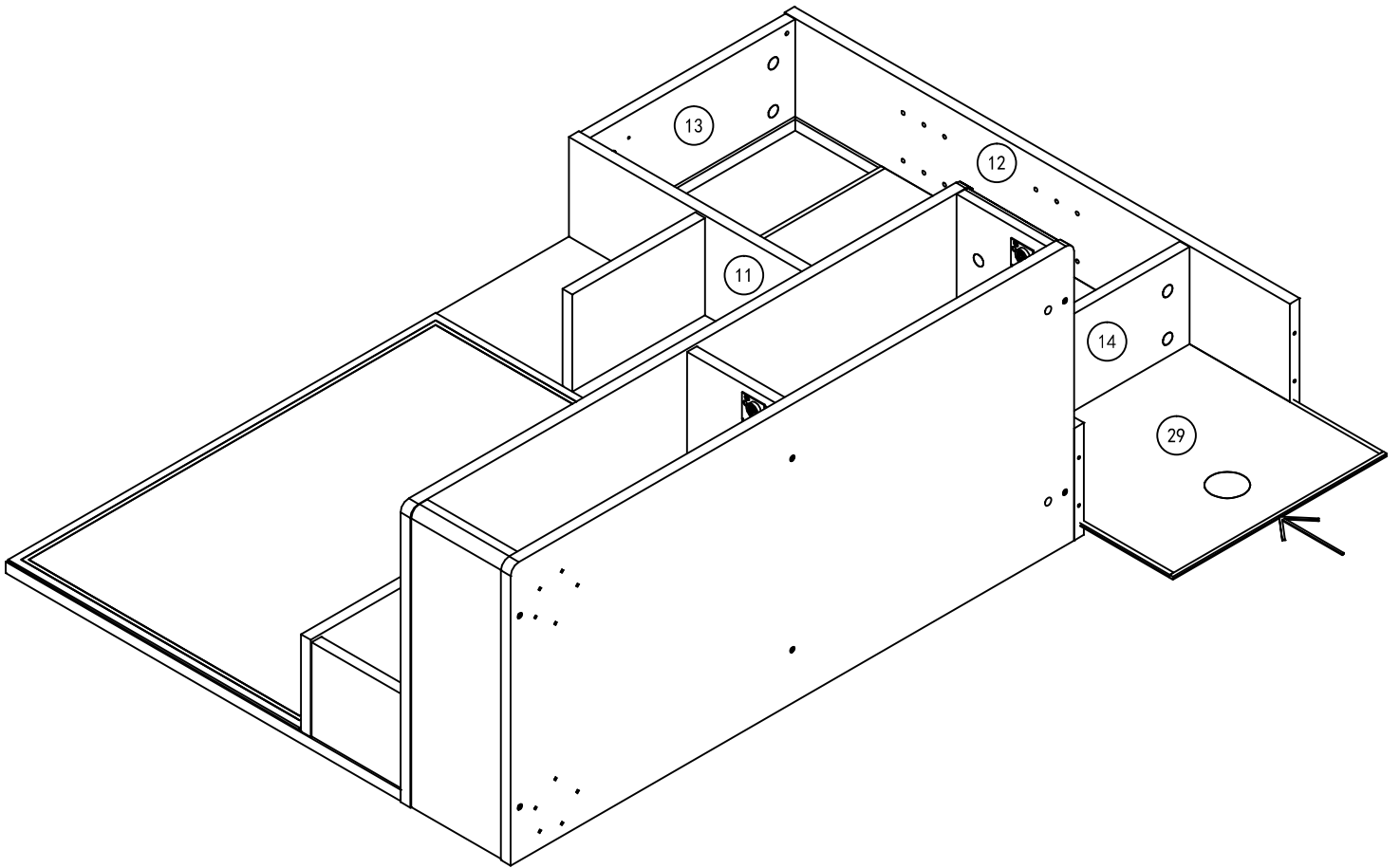


14

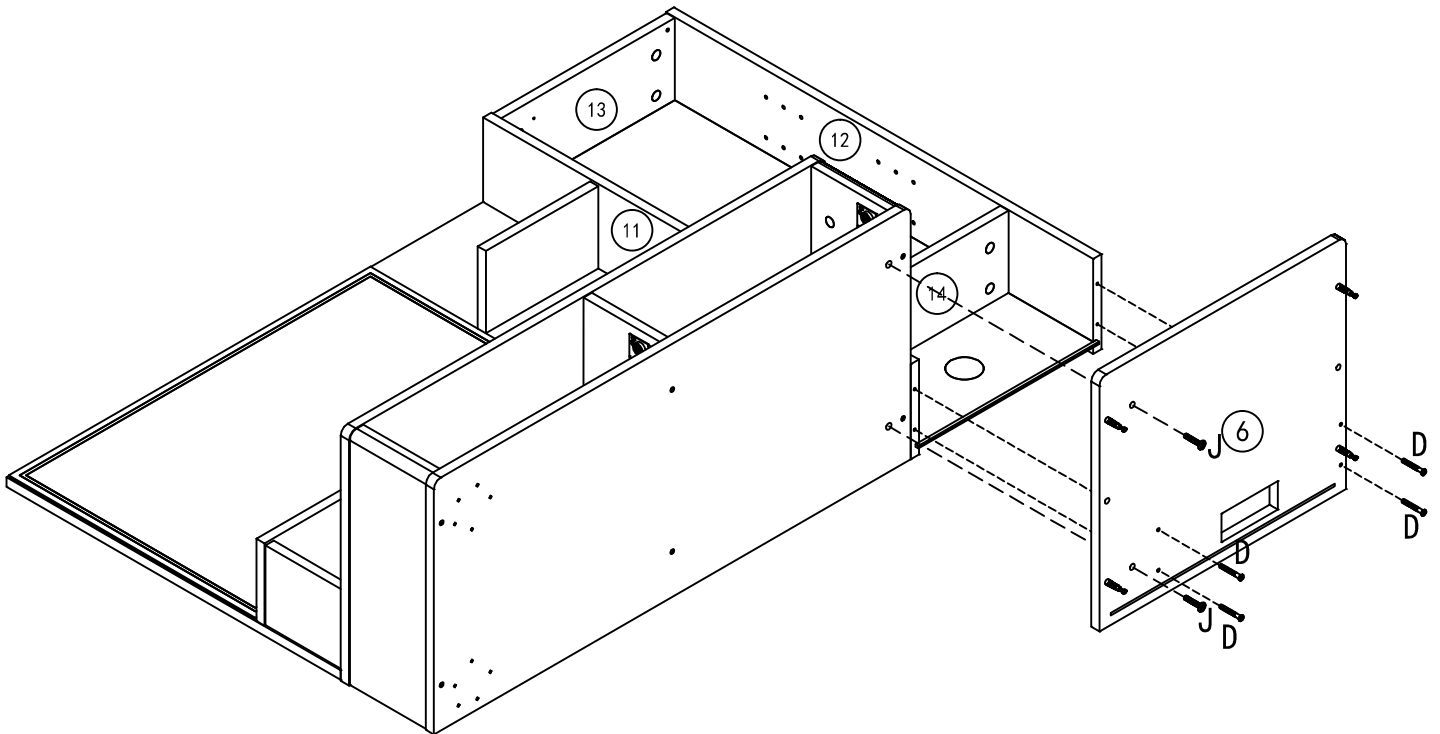
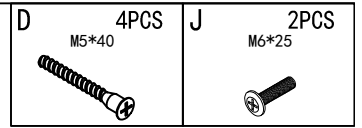
B 8PCS Φ 15*11 
---



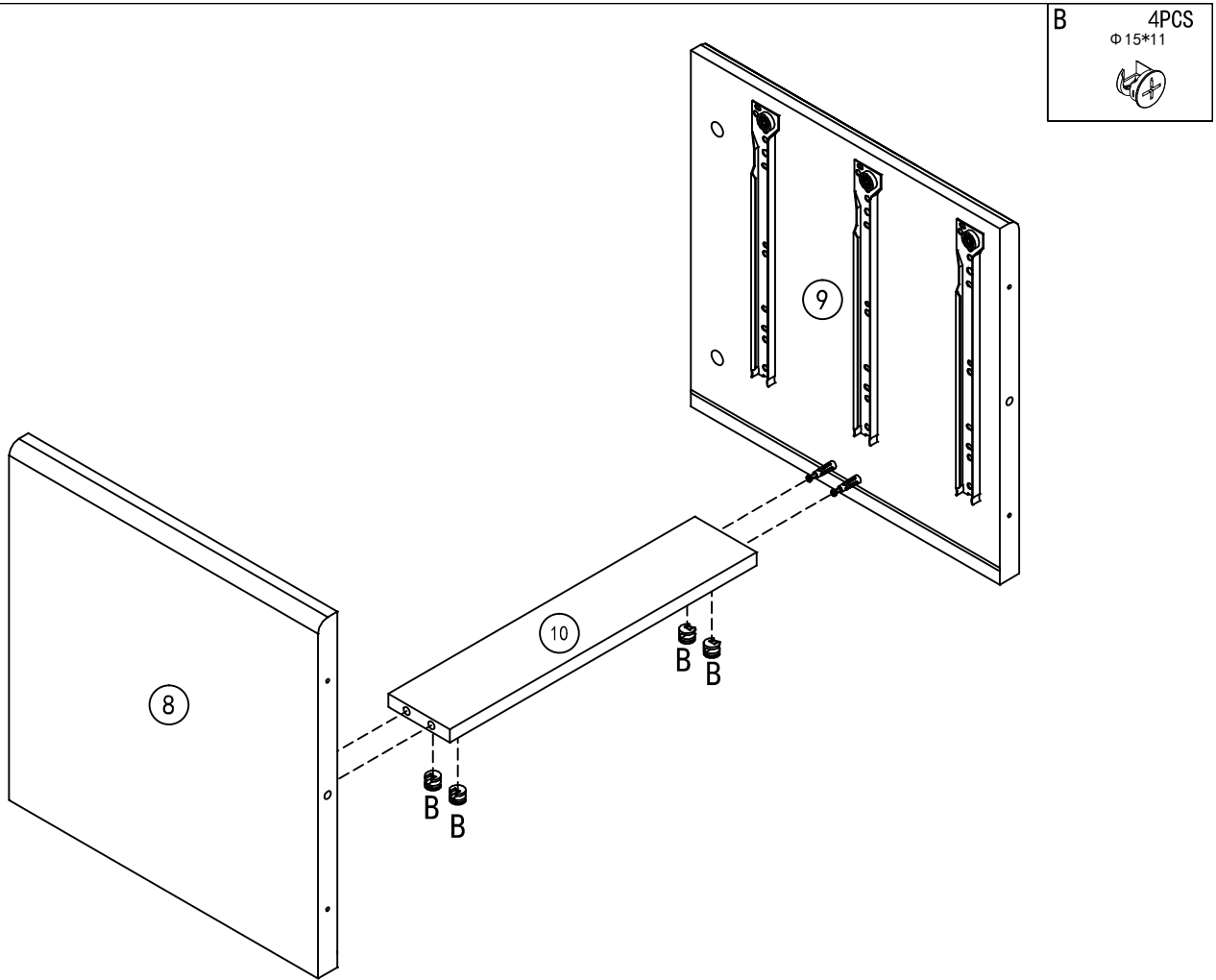
15



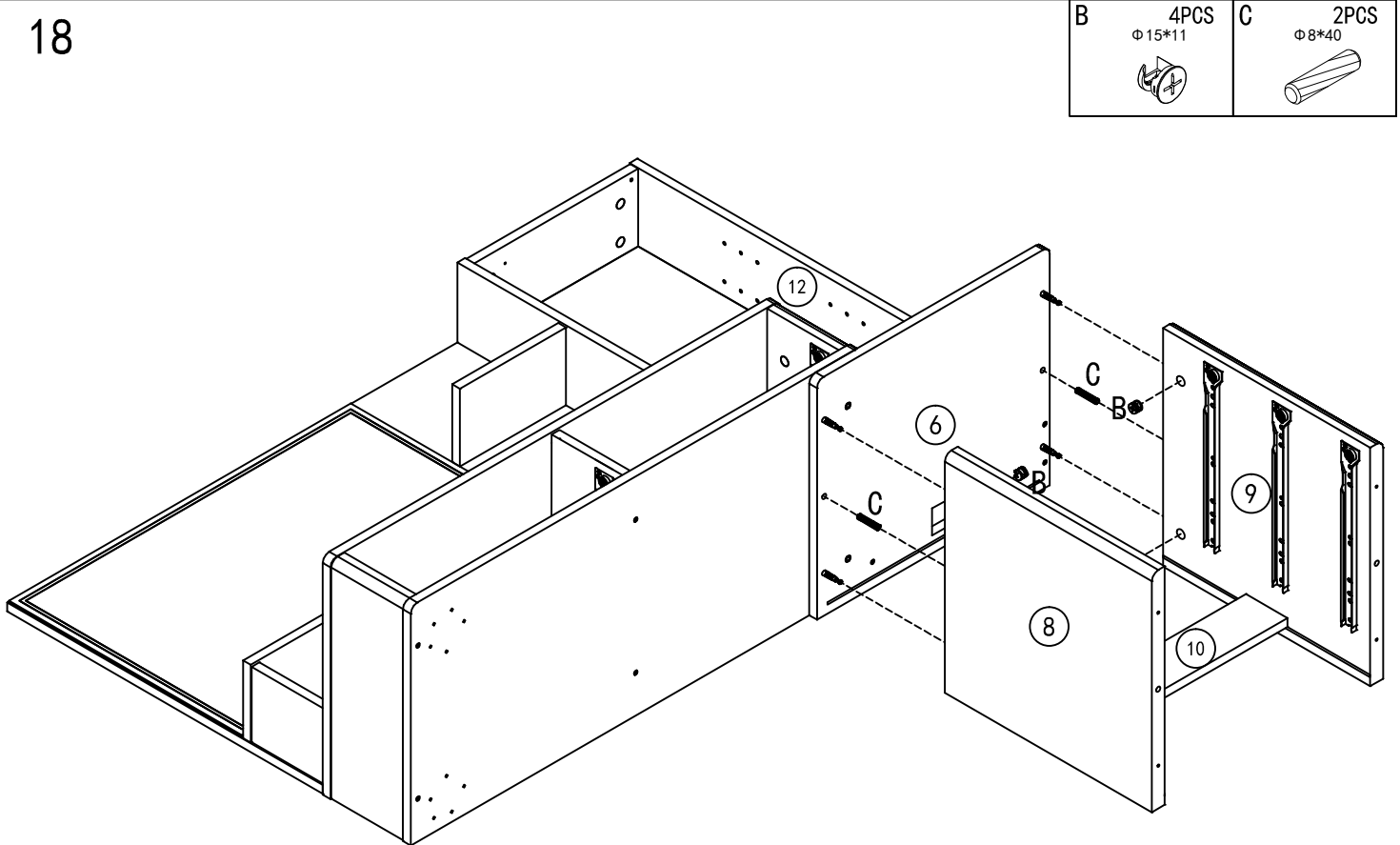
16

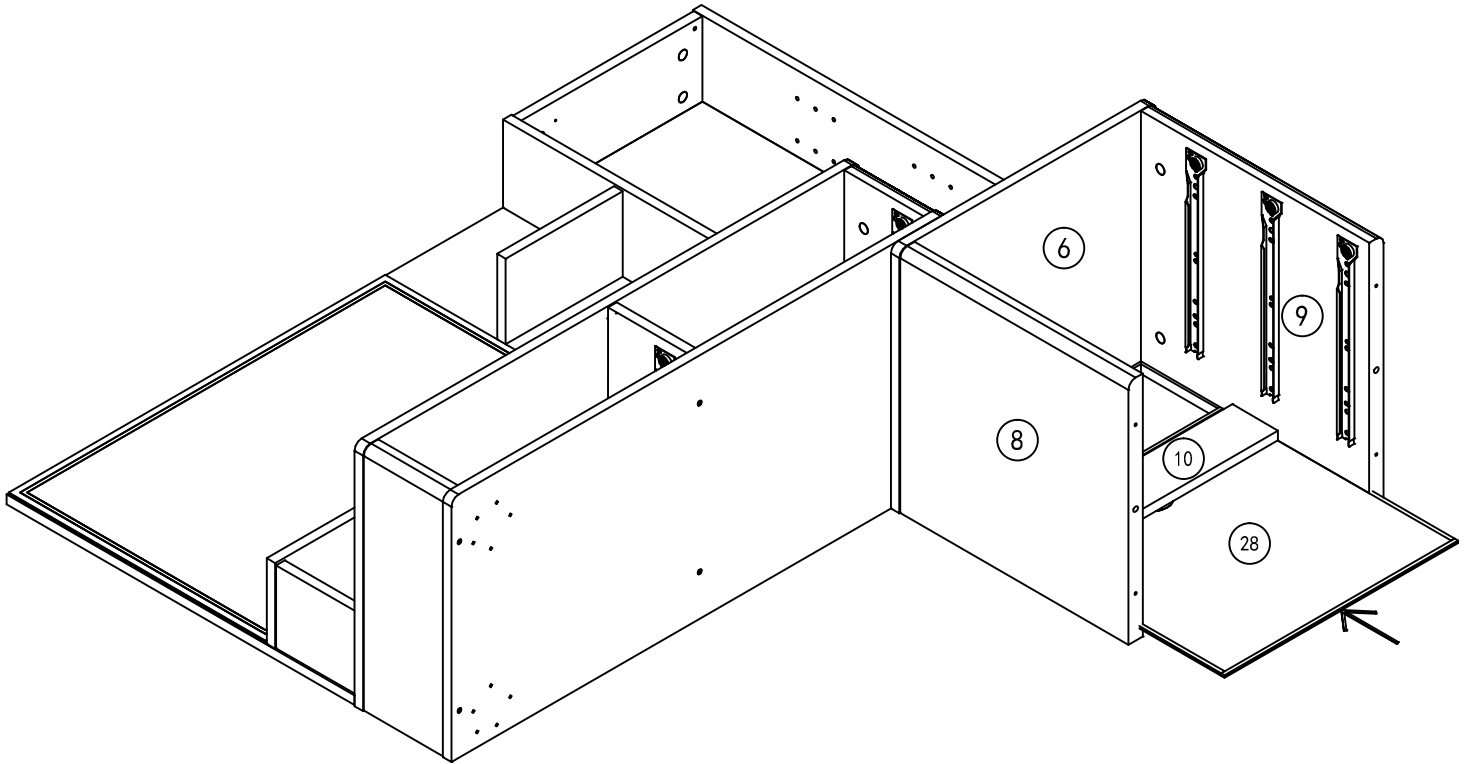


17



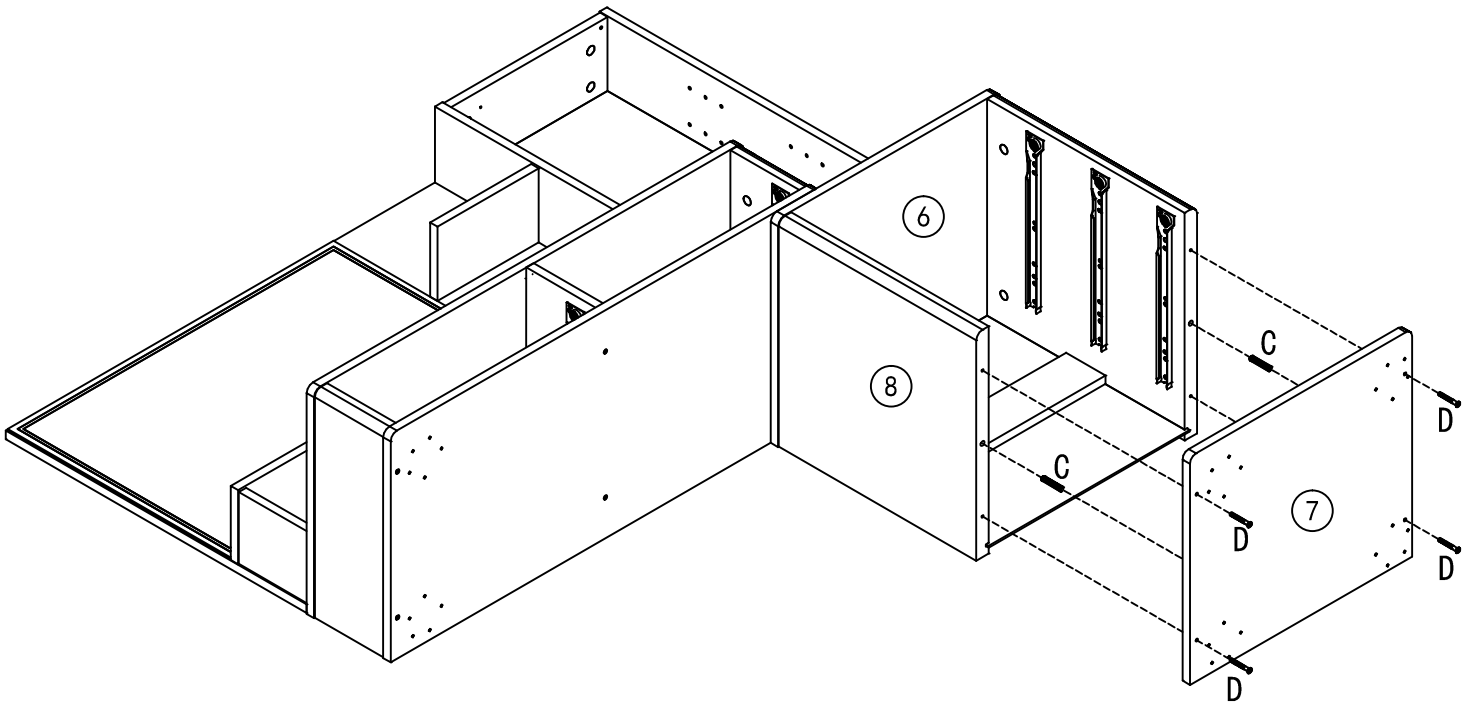
18




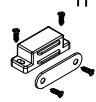




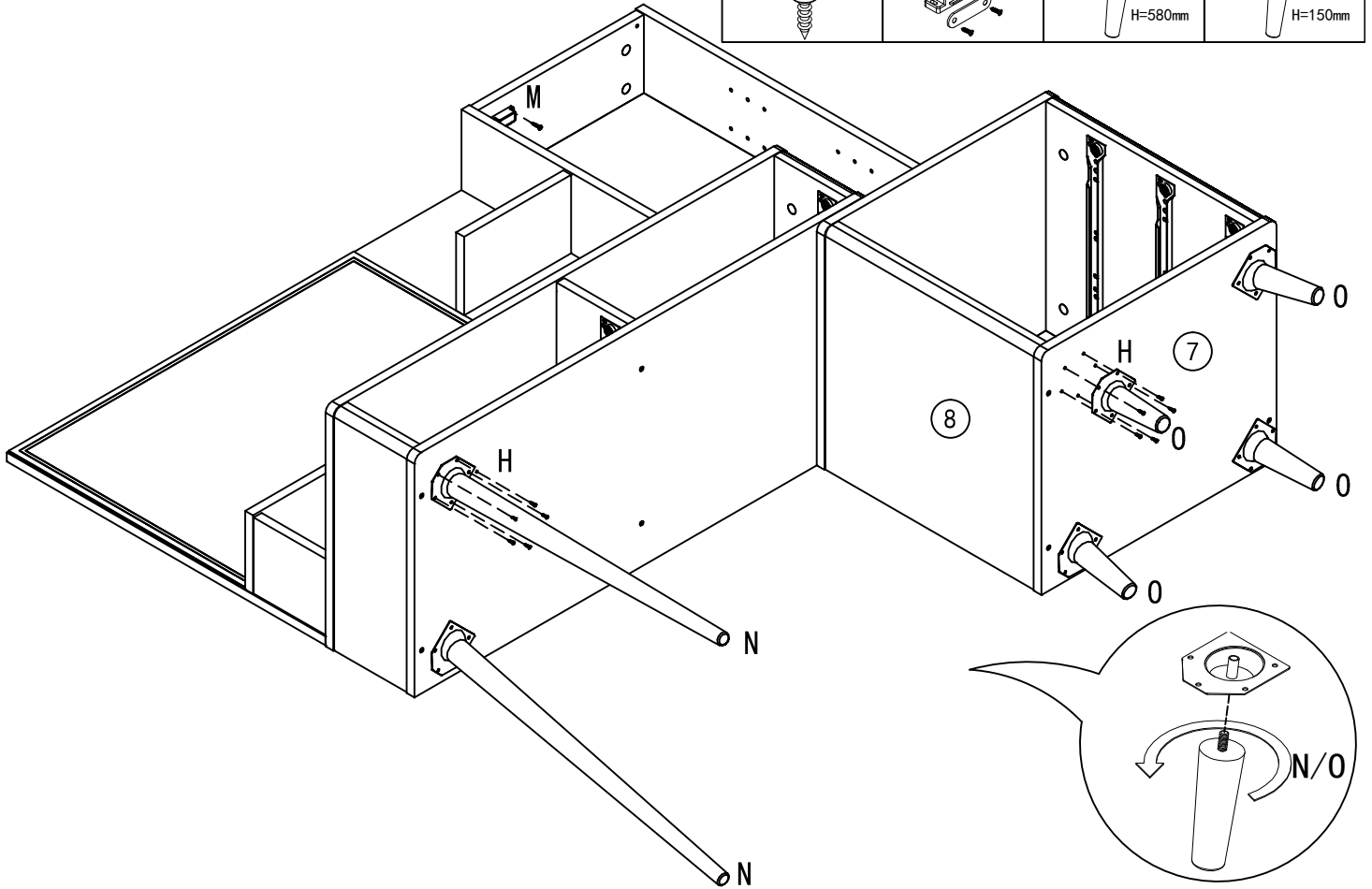
<b>C</b>	2PCS φ 8*40	<b>D</b>	4PCS M5*40
----------	----------------	----------	---------------

Hardware C is a smooth cylindrical dowel. Hardware D is a threaded screw with a hexagonal head.





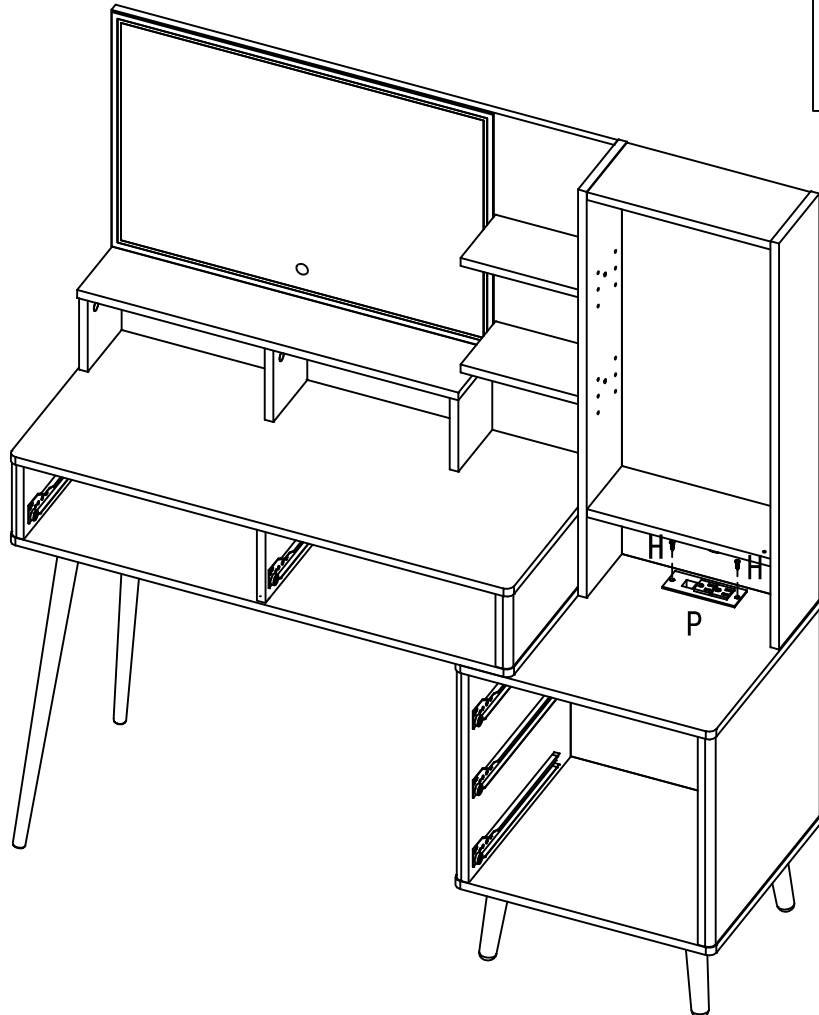
21

<b>H</b> 30PCS M3. 5*14 	<b>M</b> 1PCS 	<b>N</b> 2PCS  H=580mm	<b>O</b> 4PCS  H=150mm
--	---	--	--

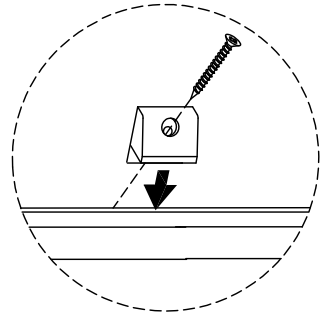
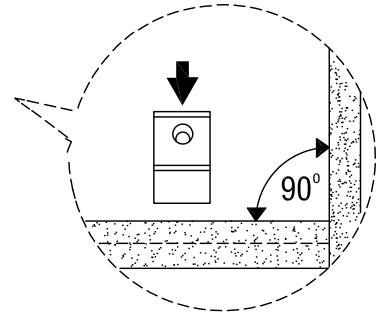
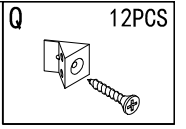
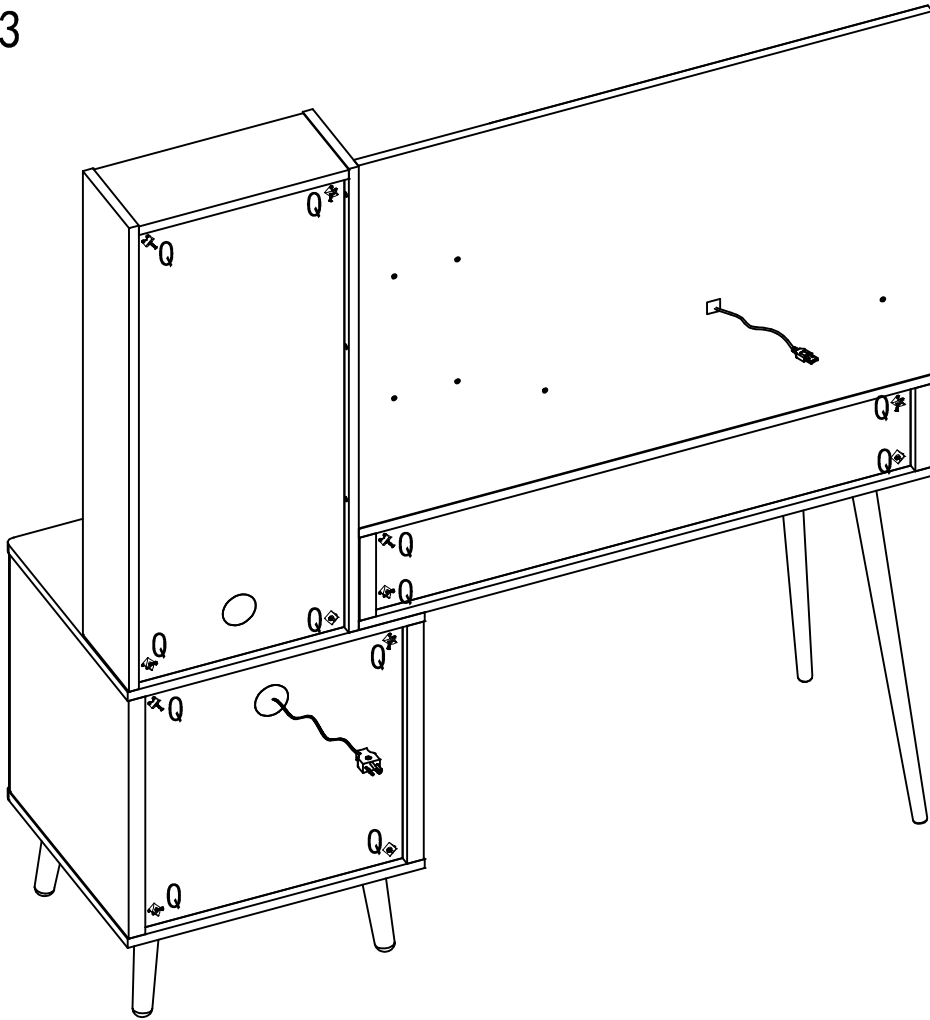


22

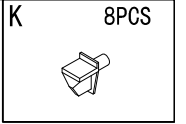
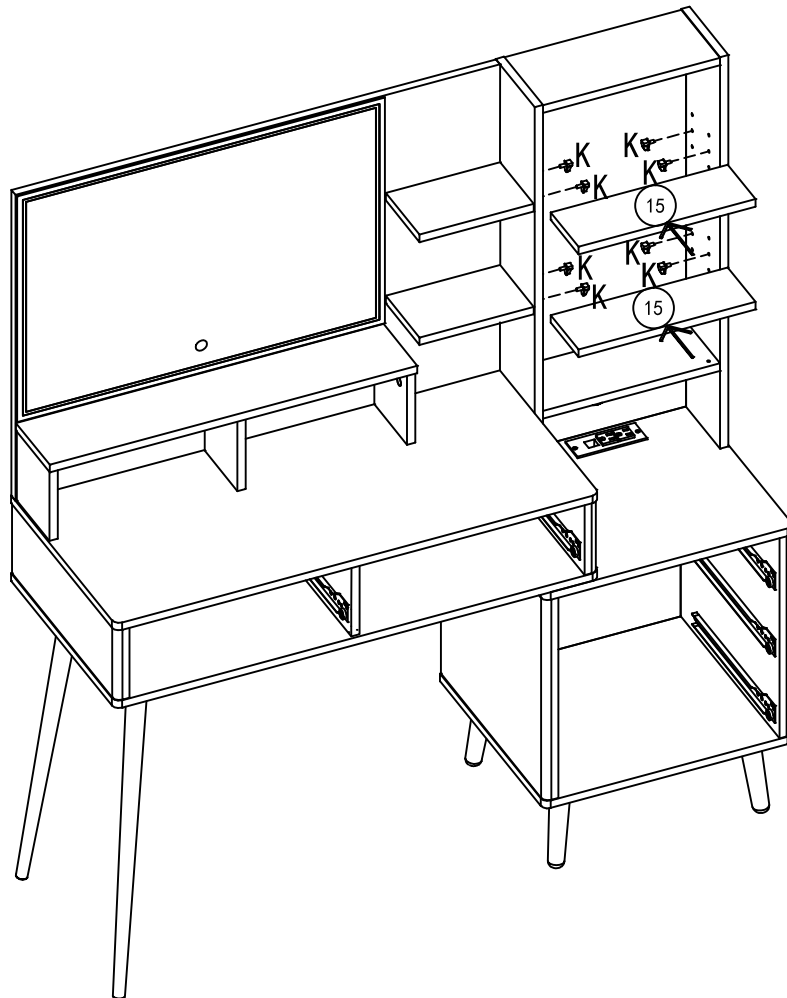
<b>H</b> 2PCS M3. 5*14 	<b>P</b> 1PCS 
---	---



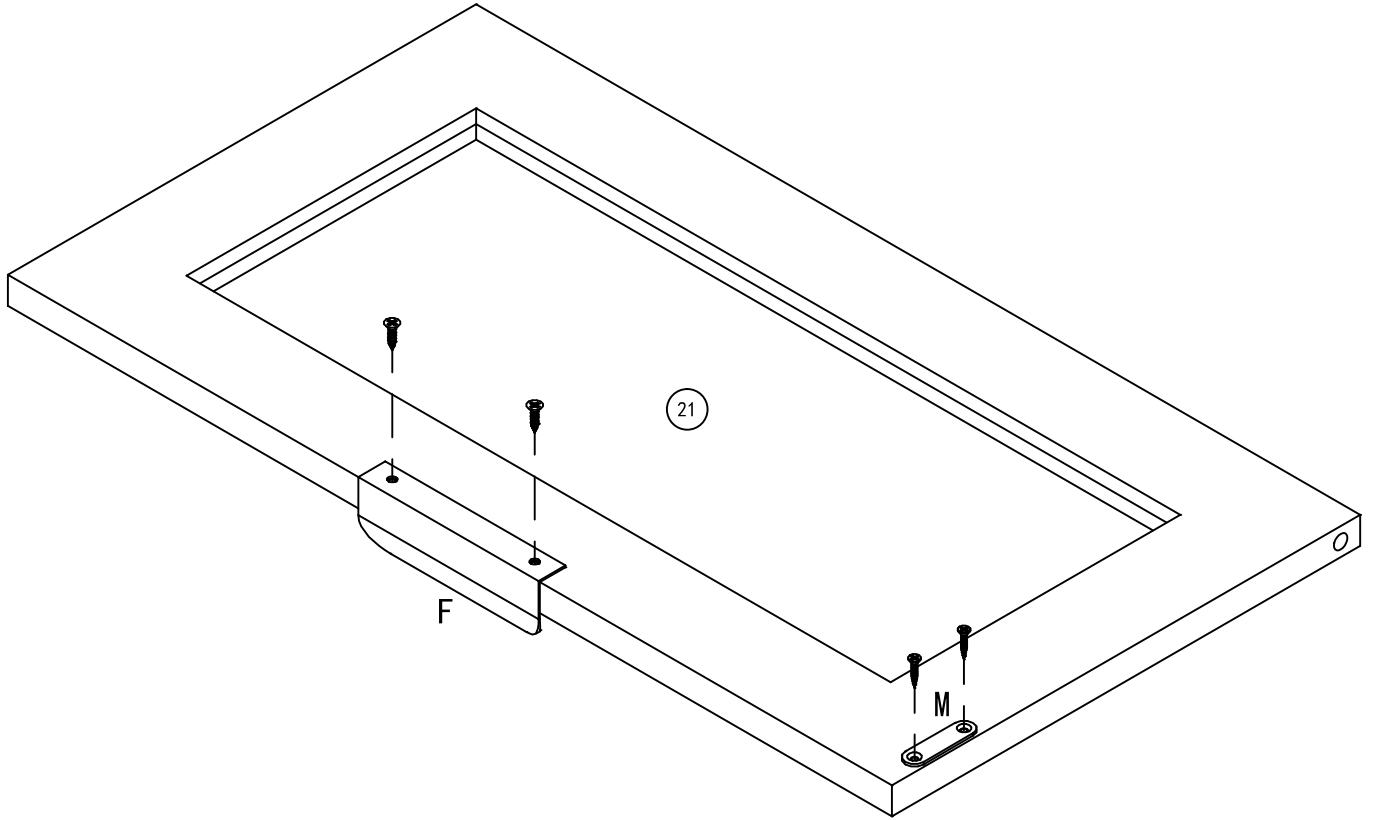
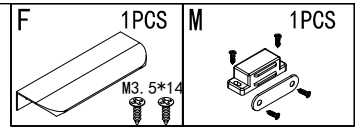
23



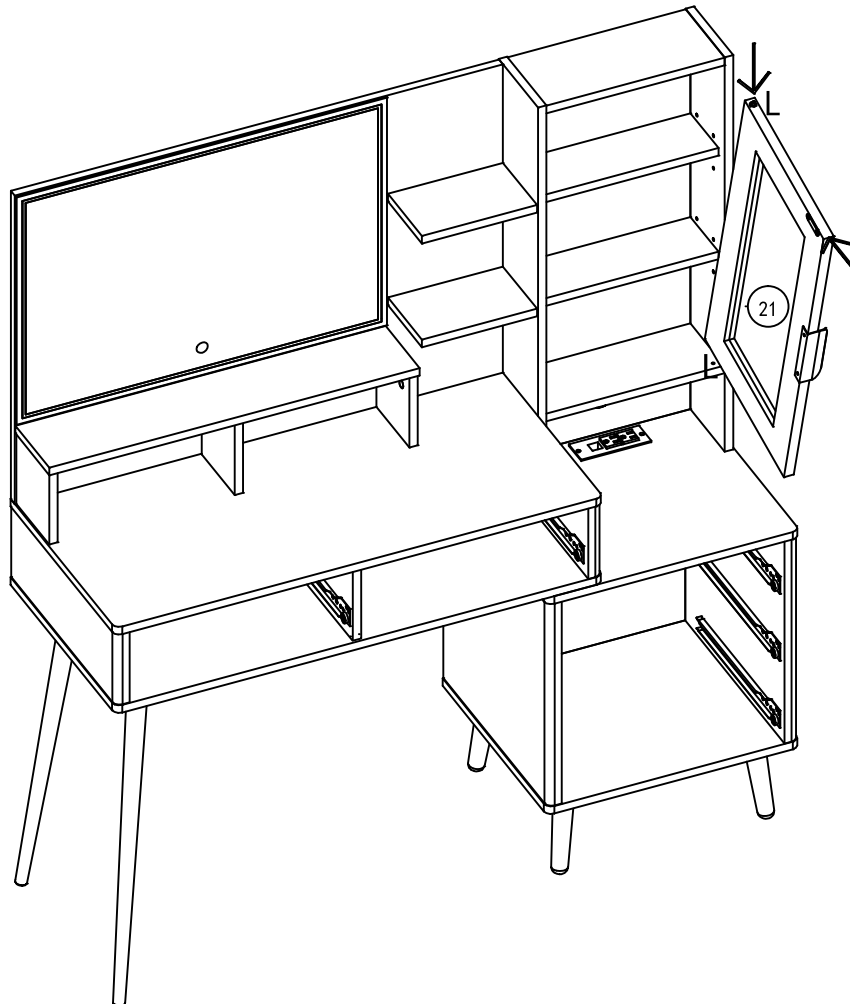
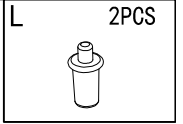
24

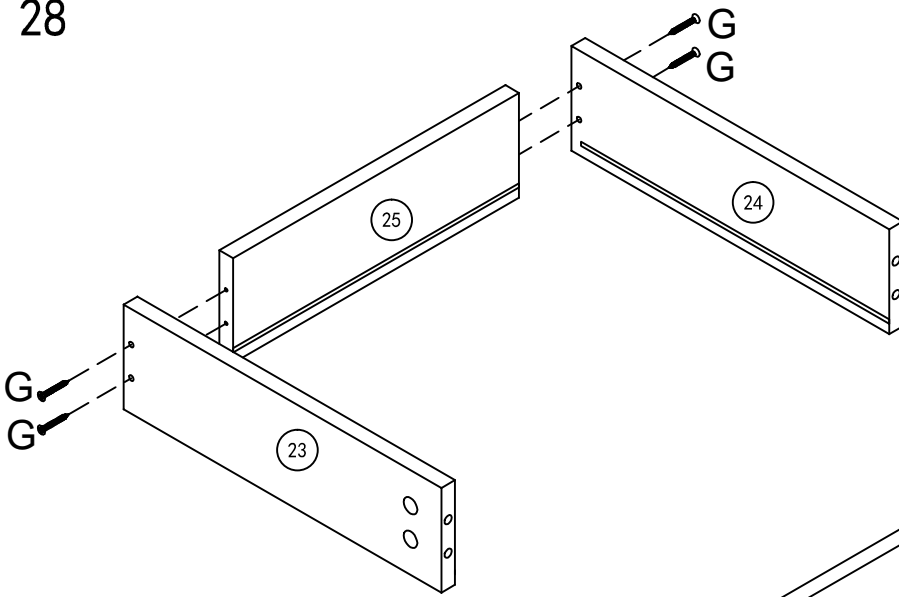


25

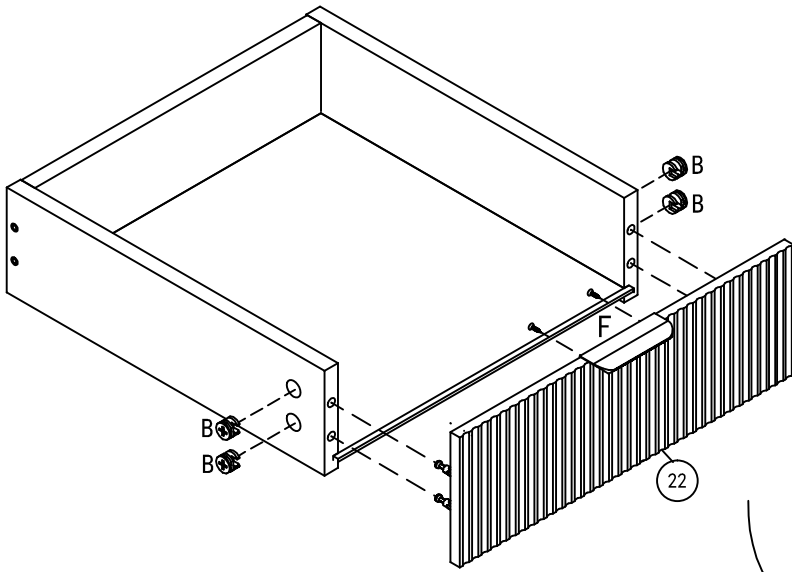
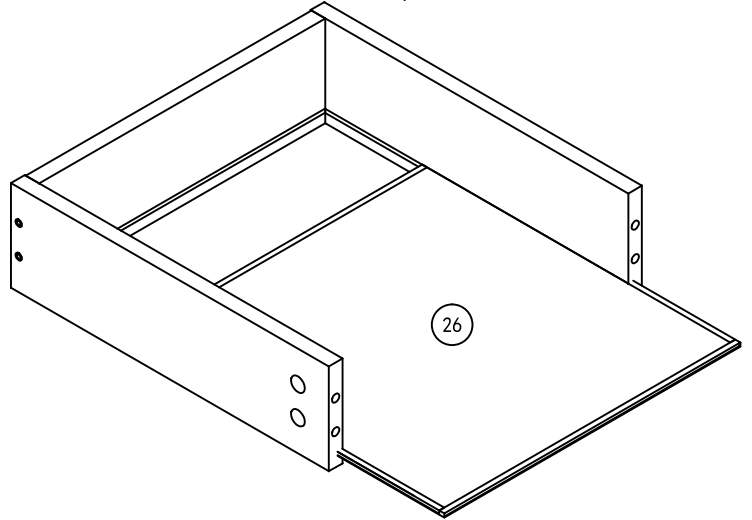


26





<b>B</b> 20PCS Φ 15*11 	<b>E</b> 5SET DR DL CR CL 	<b>F</b> 5PCS M3. 5*14 
<b>G</b> 20PCS M3. 5*35 	<b>H</b> 20PCS M3. 5*14 	



**x 5**

