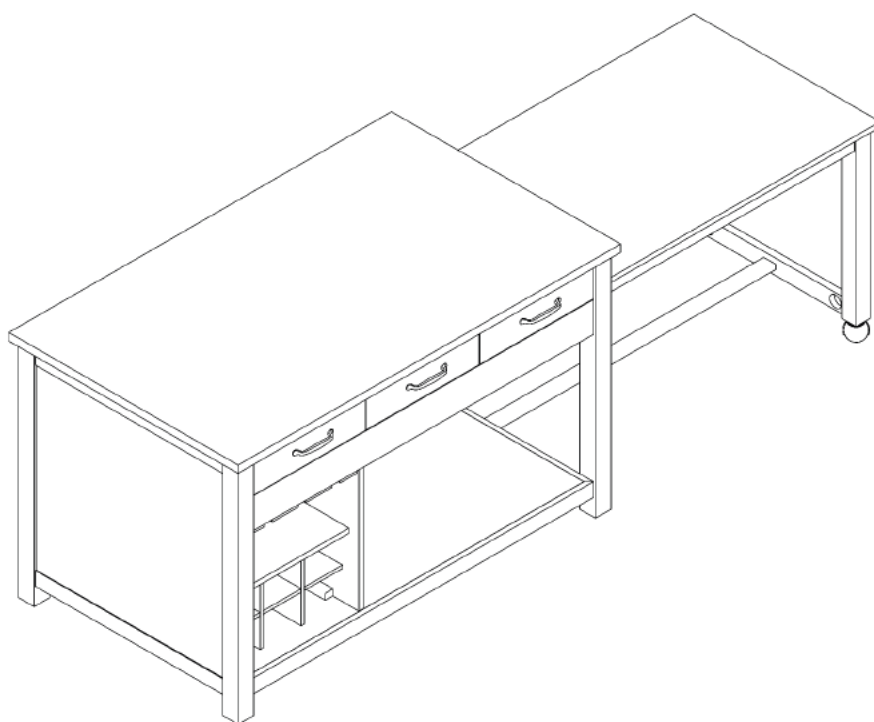


ASSEMBLY INSTRUCTIONS



TOOLS REQUIRED



Allen Wrench
(Included)



Phillips Screwdriver
(Not Included)



2 - People
Recommended

ASSEMBLY RATING



EASY —————> DIFFICULT

The Assembly Rating is a 5-point system showing the level of effort needed to assemble a specific product.



CHECK BEFORE STARTING

Are you missing anything?

Double-check all parts, hardware and accessories listed are all accounted for.

Check out our Quick Tips!

We recommend reviewing the pre-assembly handouts. Even experts need a refresher now and then!

Should we send any replacements?

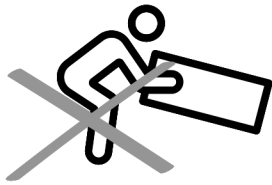
Are there any irregularities or flaws in the parts? We can send replacements!

Prep Time!

Please review the assembly instructions and all diagrams prior to assembling.

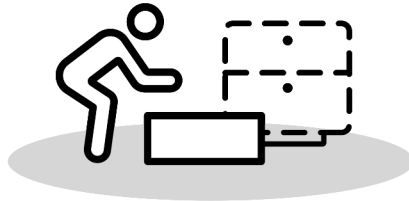
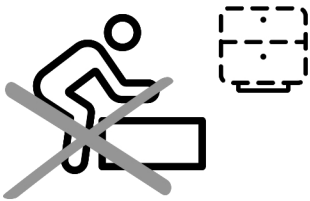
PRE ASSEMBLY INTRODUCTION

We understand building ready-to-assemble furniture can be a challenging experience for some. To help avoid confusion, we have provided some helpful tips that may speed up the process.



Teamwork

ALWAYS have at least two people to help with transporting and assembling the product to avoid potential injury and/or damage.



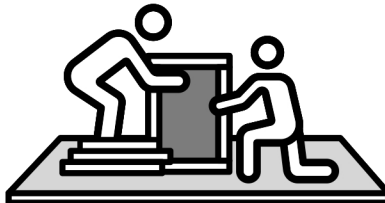
Suitable Location

Assembling near the area of the intended location is highly recommended.



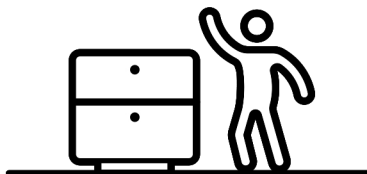
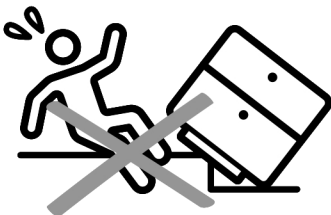
Sufficient Space

Make sure you have enough space to move around during the assembly.



Avoid Scratches

Use cardboard, blankets or a carpeted area while assembling furniture to prevent to prevent scratches and damages.



Flat Surface

Make sure the furniture rests on a flat and level surface with each leg evenly touching the floor.

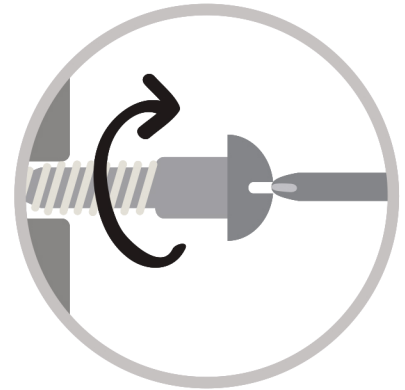
ASSEMBLY AND CARE ADVICE



FAILURE TO FOLLOW THE GUIDELINES BELOW MAY RESULT IN INJURY AND/OR PROPERTY DAMAGE.



Position each part correctly and insert screws or bolts into their respective holes.



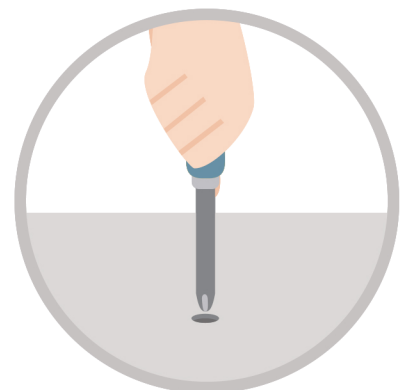
Turn clockwise to tighten and only tighten when step is completed or when instructed to do so.



Use the appropriate hand tools or power tools for assembly. Select steps, such as tightening screws and/or bolts, may require hand tools to avoid causing damage during assembly.



Save the instructions and store any supplied tools for later maintenance.



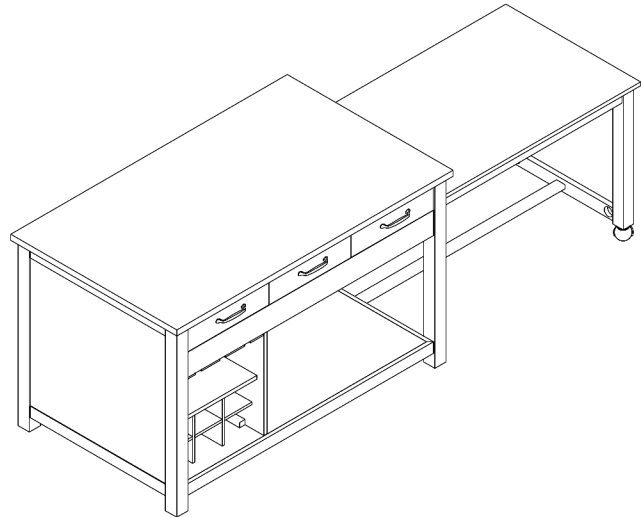
After two weeks, check and tighten any loose hardware and repeat again every six months thereafter.

IT IS THE USER'S RESPONSIBILITY TO MAINTAIN THE FURNITURE. THE HARDWARE MAY LOOSEN OVER TIME AND MAY CAUSE THE FURNITURE TO BE WOBBLY AND UNABLE TO SUPPORT ITS INTENDED WEIGHT CAPACITY. THIS MAY LEAD TO COLLAPSE AND MAY CAUSE SERIOUS INJURY.

Kitchen Island

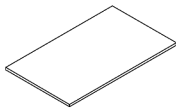


- Please keep instructions for future reference.
- Check the quantity and irregularity of parts and hardware before you start.



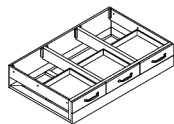
PARTS

#1 1pc



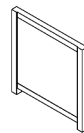
Top Panel

#2 1pc



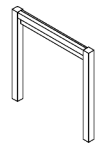
Top Frame

#3 1pc



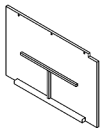
Left Leg Frame

#4 1pc



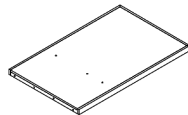
Right Leg Frame

#5 1pc



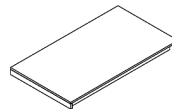
Side panel

#6 1pc



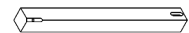
Bottom Panel

#7 1pc



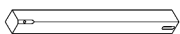
Wood Top Frame

#8 1pc



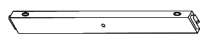
Back Supporting Leg

#9 1pc



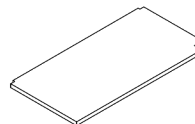
Front Supporting Leg

#10 1pc



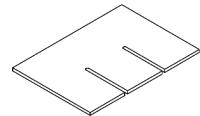
Stretcher

#11 1pc



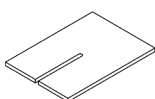
Back Panel

#12 1pc



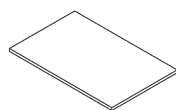
Horizontal Panel

#13 2pcs



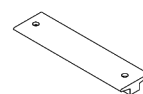
Vertical Panel

#14 1pc



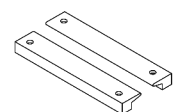
Adjustable Shelf

#15 2pcs



CUP-Hanging Wood

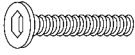
#16 2pcs



CUP-Hanging Wood

HARDWARE

#A 11pcs



Bolt
Ø5/16"x1-1/2"

#B 11pcs



Spring Washer
Ø5/16"

#C 11pcs



Flat Washer
Ø5/16"x20mm

#D 2pcs



Screw
#8 x 38mm

#E 1pc



Allen Key
5mm

#F 23pcs



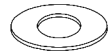
Bolt
Ø1/4"x1-1/4"

#G 23pcs



Spring Washer
Ø1/4"

#H 23pcs

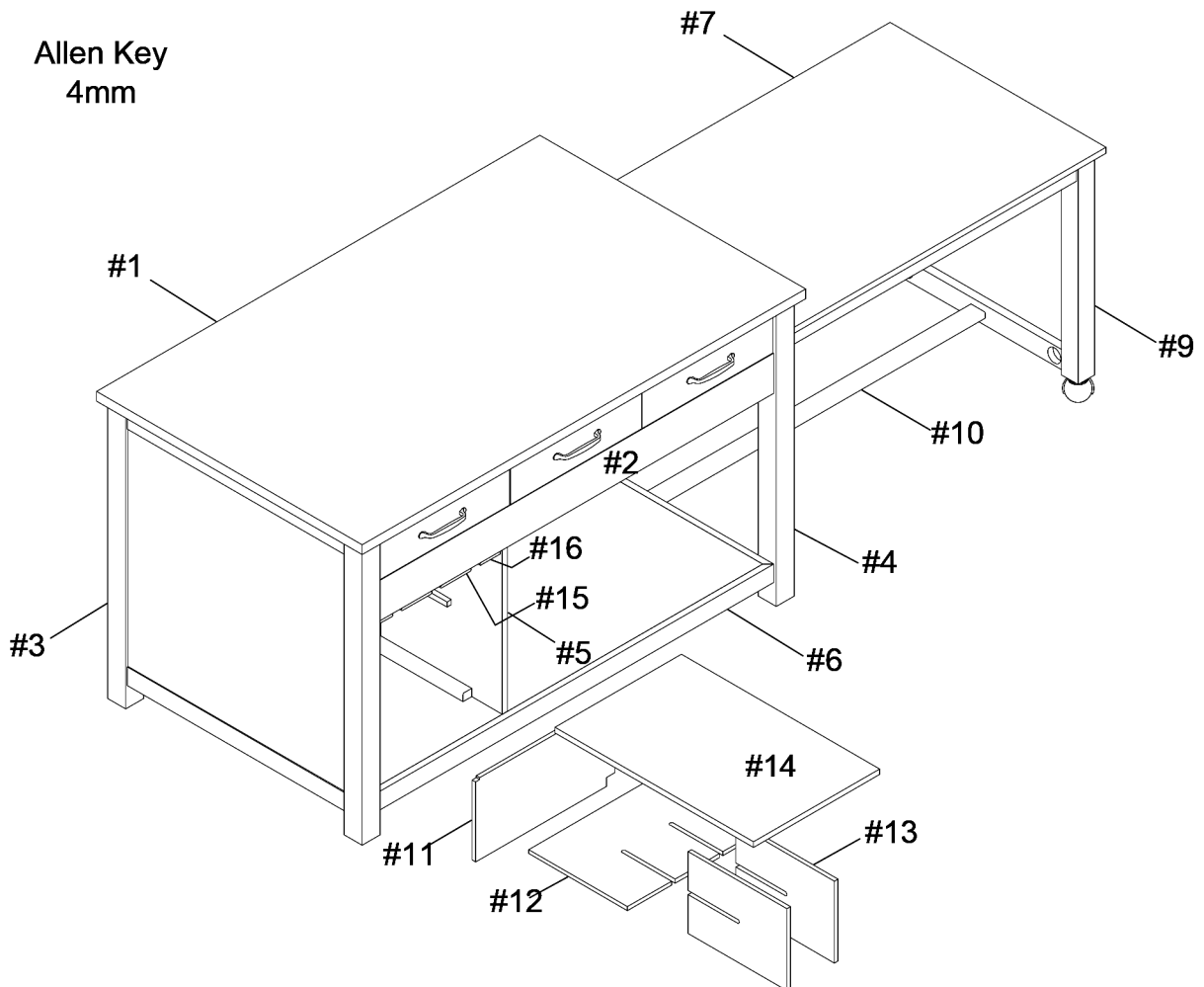


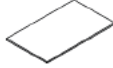



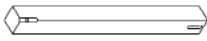


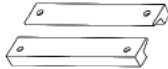
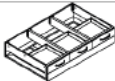











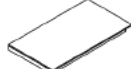



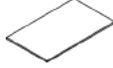
Flat Washer
Ø1/4"x19mm

#K 1pc



Allen Key
4mm

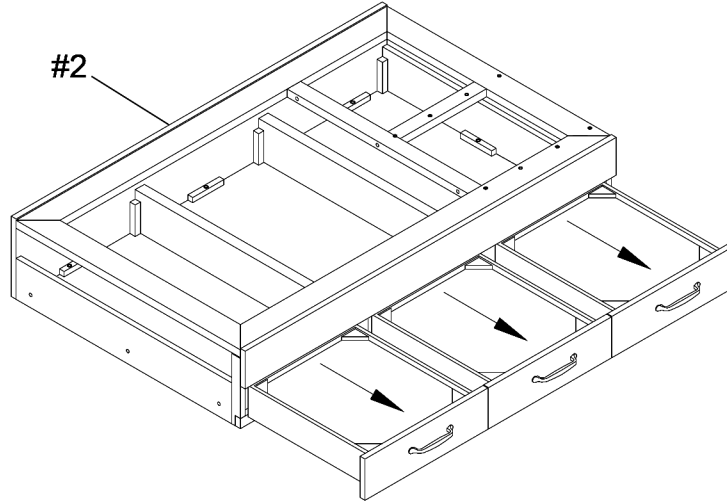


Disignation	Part	Hardware
Top Panel	#1 	
Left Leg Frame	#3 	
Right Leg Frame	#4 	
Back Supporting Leg	#8 	
Front Supporting Leg	#9 	
Stretcher	#10 	
CUP-Hanging Wood	#15 	
	#16 	
Top Frame	#2 	
Side panel	#5 	 #A 11pcs  #B 11pcs  #C 11pcs  #D 2pcs  #E 1pc  #F 23pcs  #G 23pcs  #H 23pcs  #K 1pc
Bottom Panel	#6 	
Wood Top Frame	#7 	
Back Panel	#11 	
Horizontal Panel	#12 	
Vertical Panel	#13 	
Adjustable Shelf	#14 	

ASSEMBLY INSTRUCTIONS

Pull out all drawers on the top frame(#2).

1



2

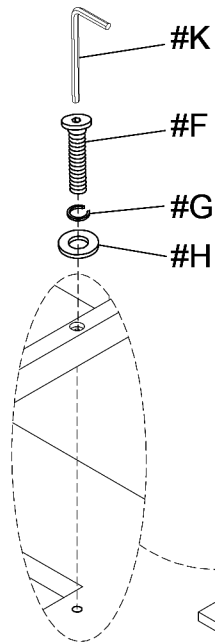
Part #1 1pc

Part #2 1pc

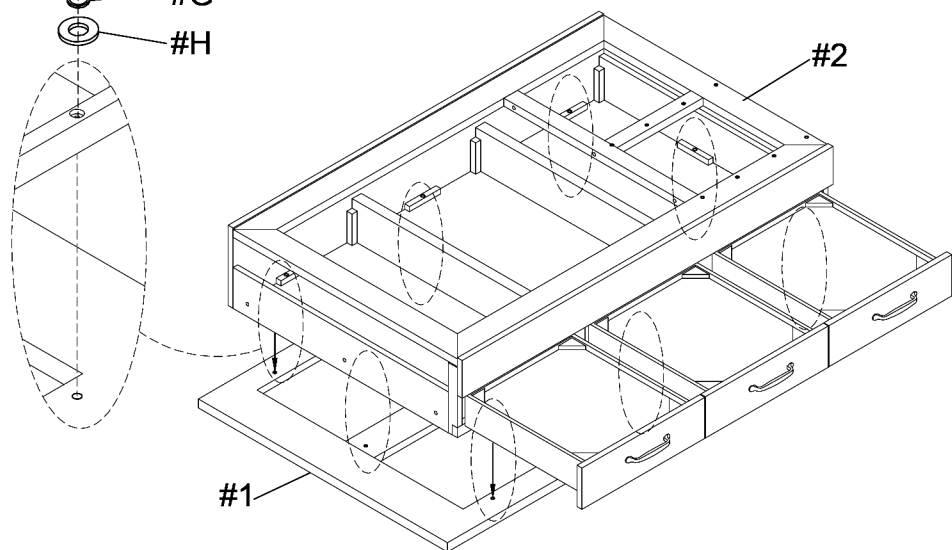
Hardware #F 8pcs

Hardware #G 8pcs

Hardware #H 8pcs



Align top frame (#2) to the top panel (#1) and secure using bolts (#F) with washers (#G,H).



ASSEMBLY INSTRUCTIONS

3

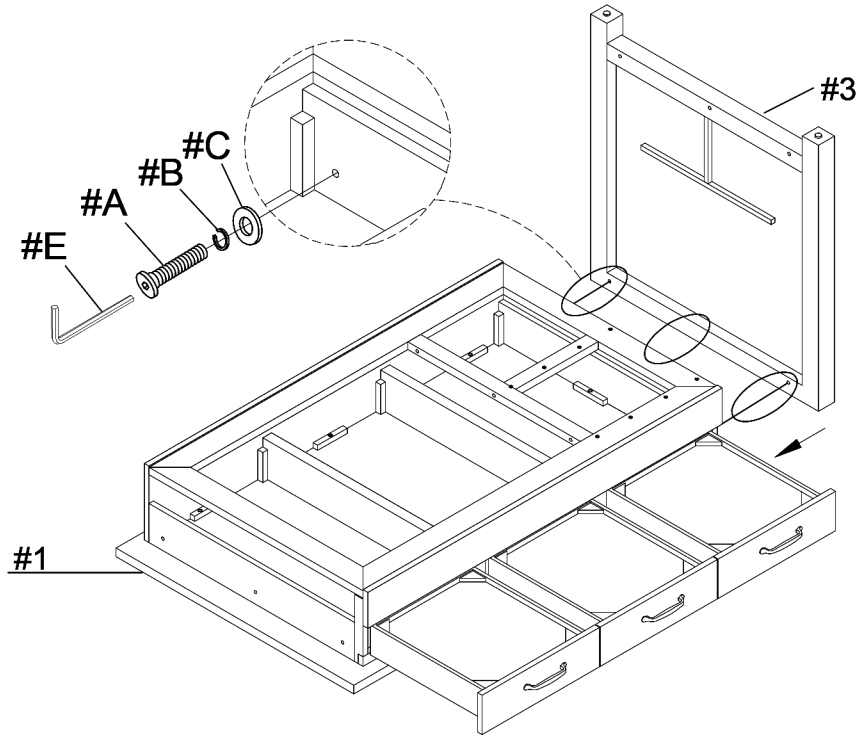
Align and secure left leg frame (#3) to the top frame (#2) using bolts (#A) with washers (#B, C).

Part #3 1pc

Hardware #A 3pcs

Hardware #B 3pcs

Hardware #C 3pcs



4

Align the cup hanging wood panels (#15,16) to the top frame (#2). Secure using bolts (#F) with washers (#G,H).

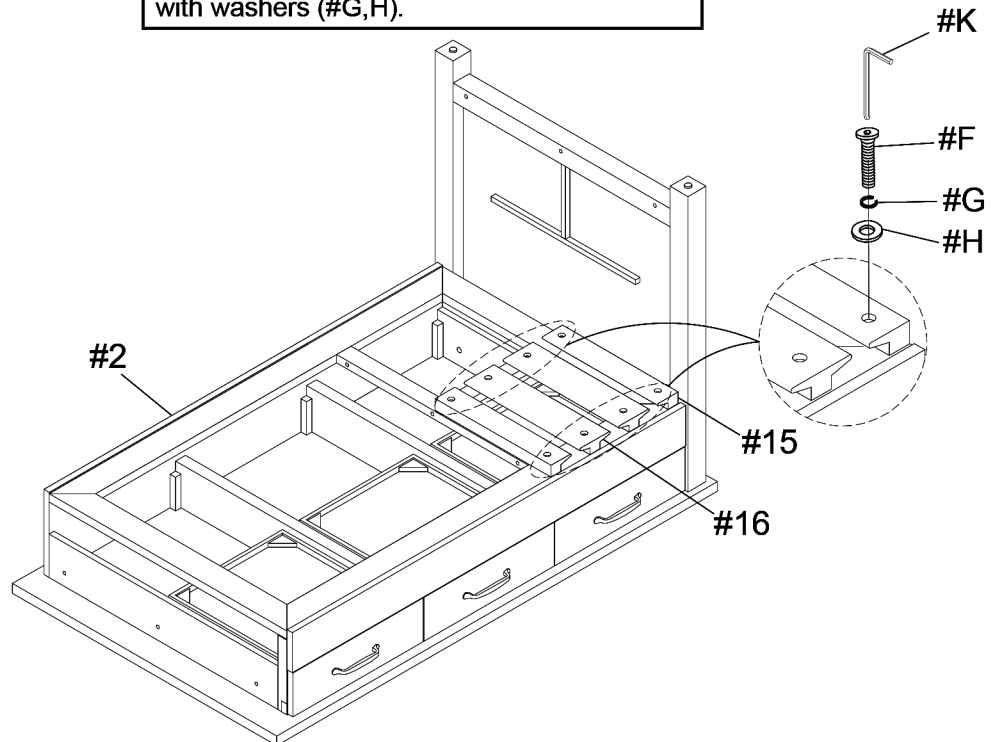
Part #15 2pcs

Part #16 2pcs

Hardware #F 8pcs

Hardware #G 8pcs

Hardware #H 8pcs



ASSEMBLY INSTRUCTIONS

5

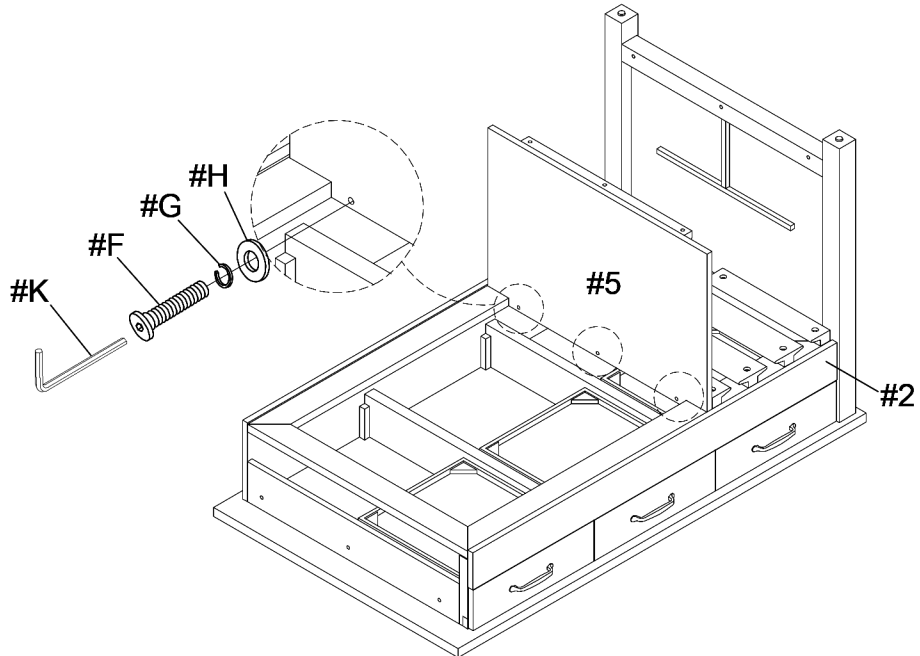
Part #5 1pc

Hardware #F 3pcs

Hardware #G 3pcs

Hardware #H 3pcs

Align side panel (#5) to the top frame (#2), then secure using bolts (#F) with washers (G,H).



6

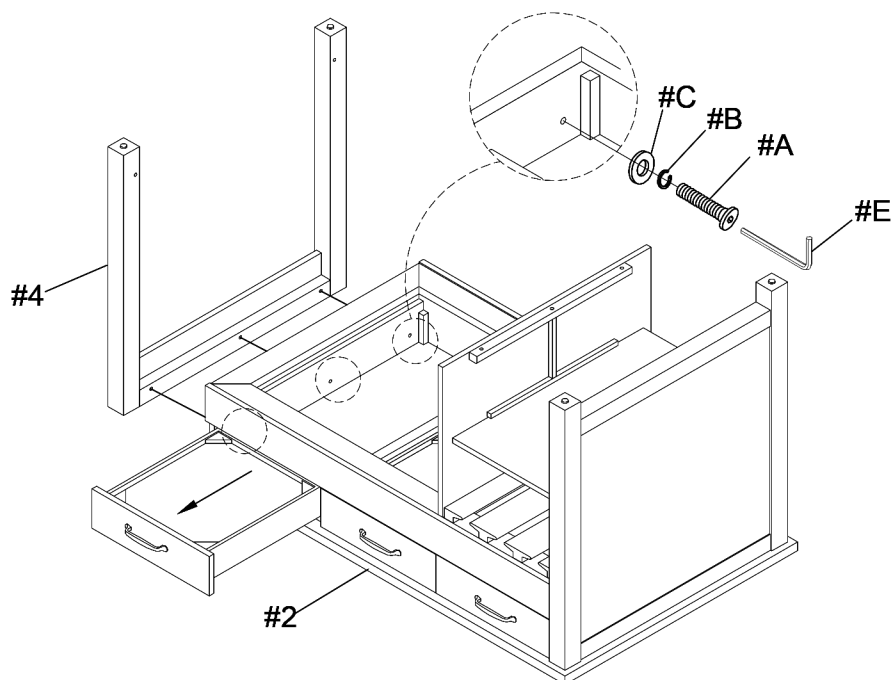
Part #4 1pc

Hardware #A 3pcs

Hardware #B 3pcs

Hardware #C 3pcs

Attach right leg frame (#4) to the top frame (#2) by using bolts (#A) with washers (#B,C).



ASSEMBLY INSTRUCTIONS

7

Part #6 1pc

Hardware #A 3pcs

Hardware #B 3pcs

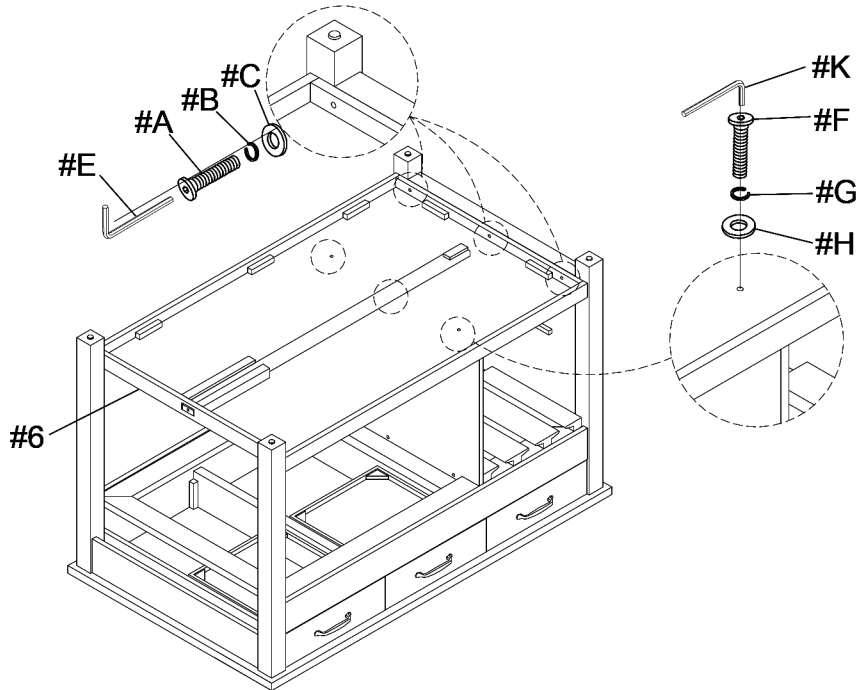
Hardware #C 3pcs

Hardware #F 3pcs

Hardware #G 3pcs

Hardware #H 3pcs

1. Align bottom panel (#6) to leg frames (#3,4), then secure using bolts (#A) with washers (B,C).



8

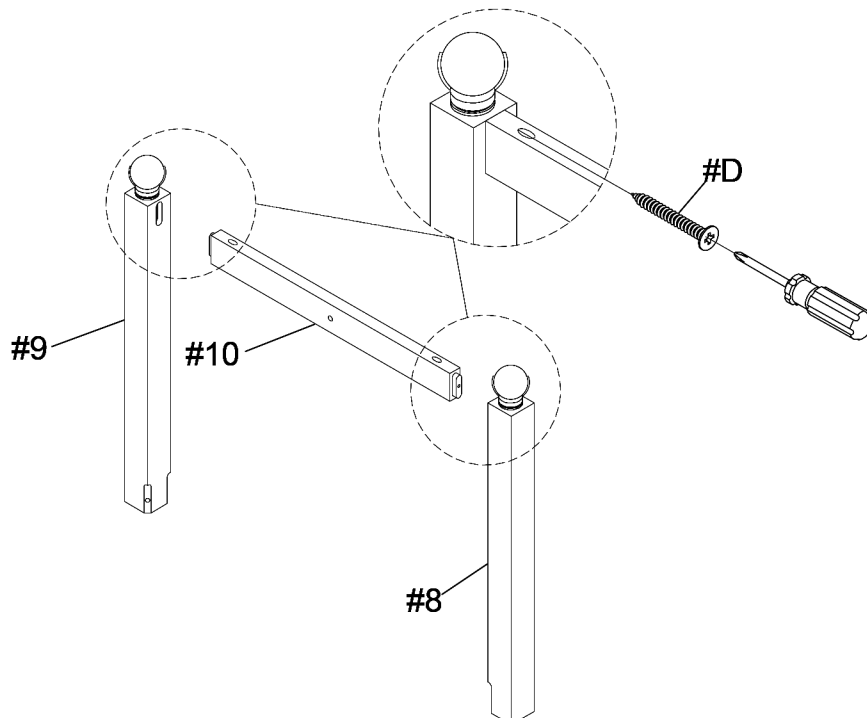
Part #8 1pc

Part #9 1pc

Part #10 1pc

Hardware #D 2pcs

Align and secure stretcher (#10) to the front and back supporting legs (#8,9) by using screw (#D).



ASSEMBLY INSTRUCTIONS

9

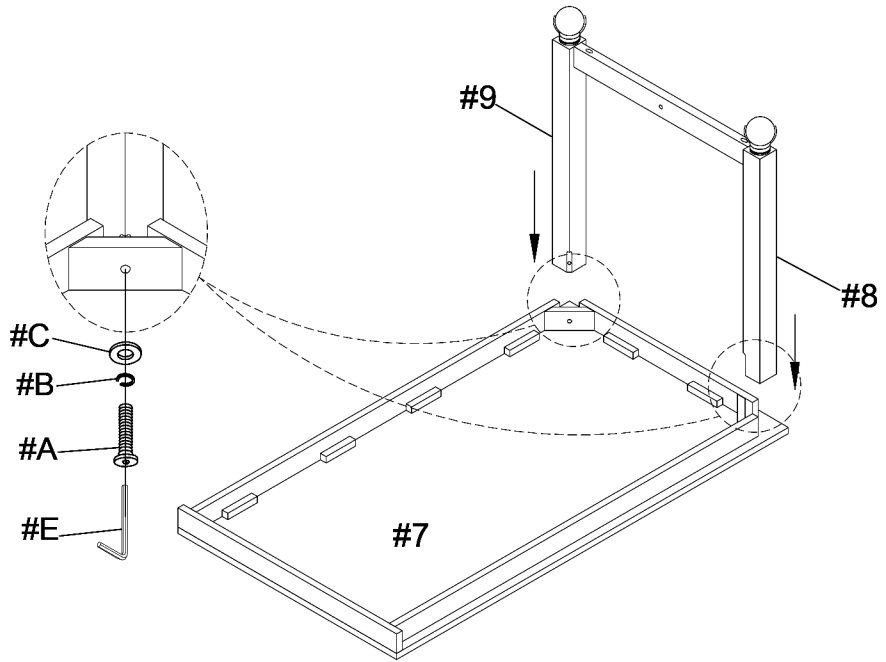
Part #7 1pc

Hardware #A 2pcs

Hardware #B 2pcs

Hardware #C 2pcs

Secure legs (#8,9) to the wood top frame (#7) using bolts (#A) with washers (#B,C).



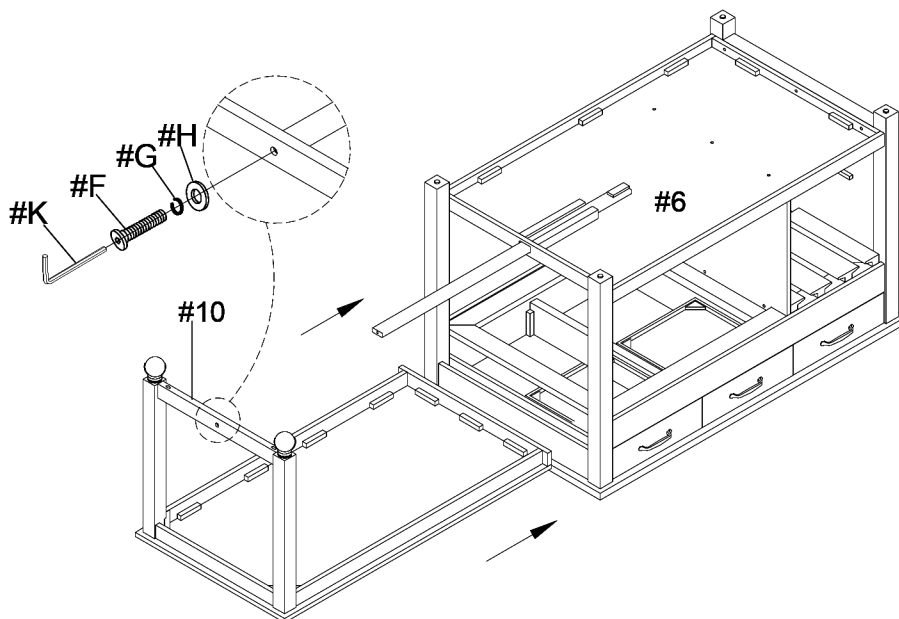
10

Hardware #F 1pc

Hardware #G 1pc

Hardware #H 1pc

Insert assembly and attach center of stretcher (#10) to the rail on bottom panel (#6). Secure with bolt (#F) and washer (#G,H).

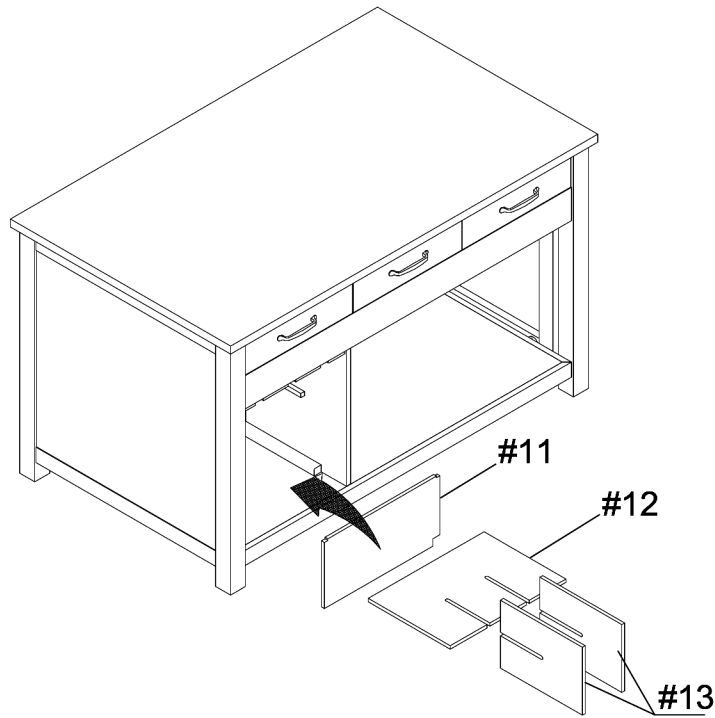


ASSEMBLY INSTRUCTIONS

11

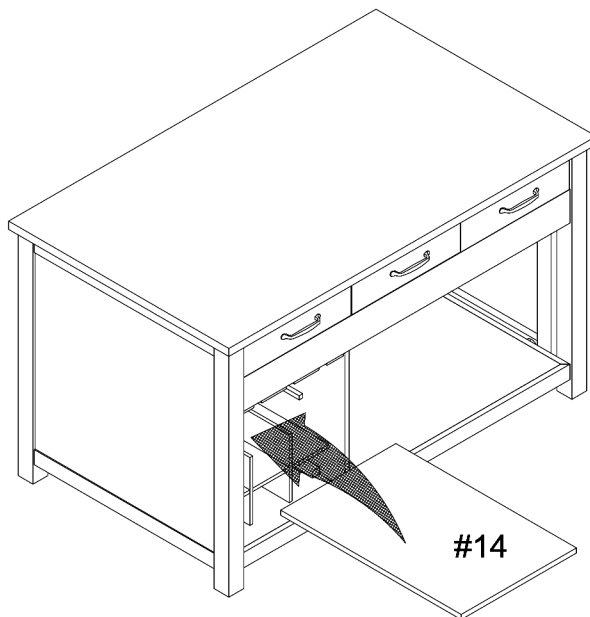
Insert panels (#13) to panel (#12).

- Part #11 1pc
- Part #12 1pc
- Part #13 2pcs



12

- Part #14 2pcs



ASSEMBLY COMPLETED



Please ensure the furniture rests on an even and flat surface. If the product wobbles or feels loose, double-check all bolts and/or screws are properly tightened and secured.



Keep this handy!

Please retain this instruction manual and any order-related information for future reference.

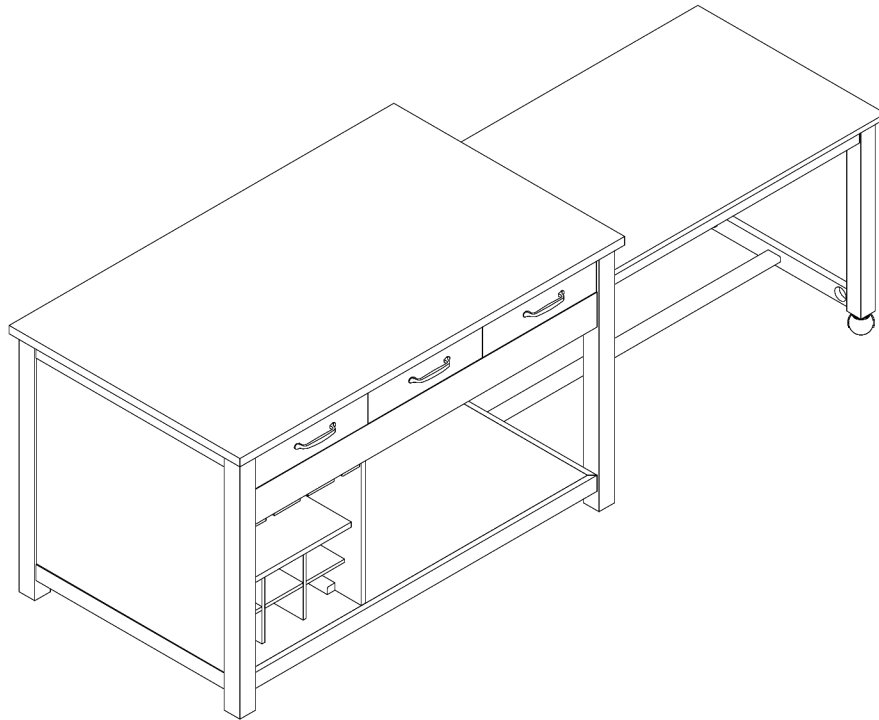


Lift, don't drag!

To avoid damage to product please always LIFT the product when transporting or adjusting the placement.

ASSEMBLY INSTRUCTIONS

13



ASSEMBLY COMPLETED



Please ensure the furniture rests on an even and flat surface. If the product wobbles or feels loose, double-check all bolts and/or screws are properly tightened and secured.



Keep this handy!

Please retain this instruction manual and any order-related information for future reference.