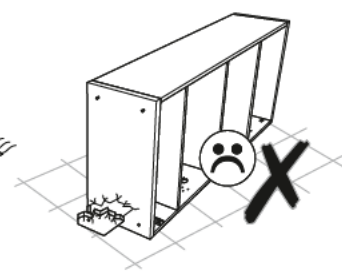
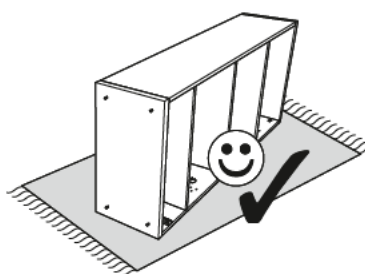
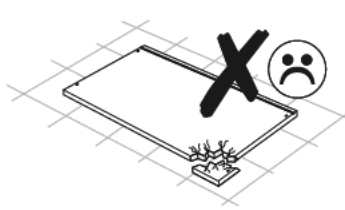
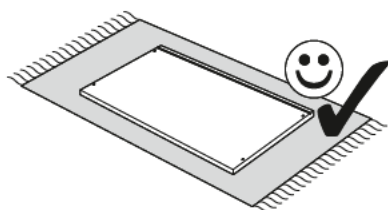
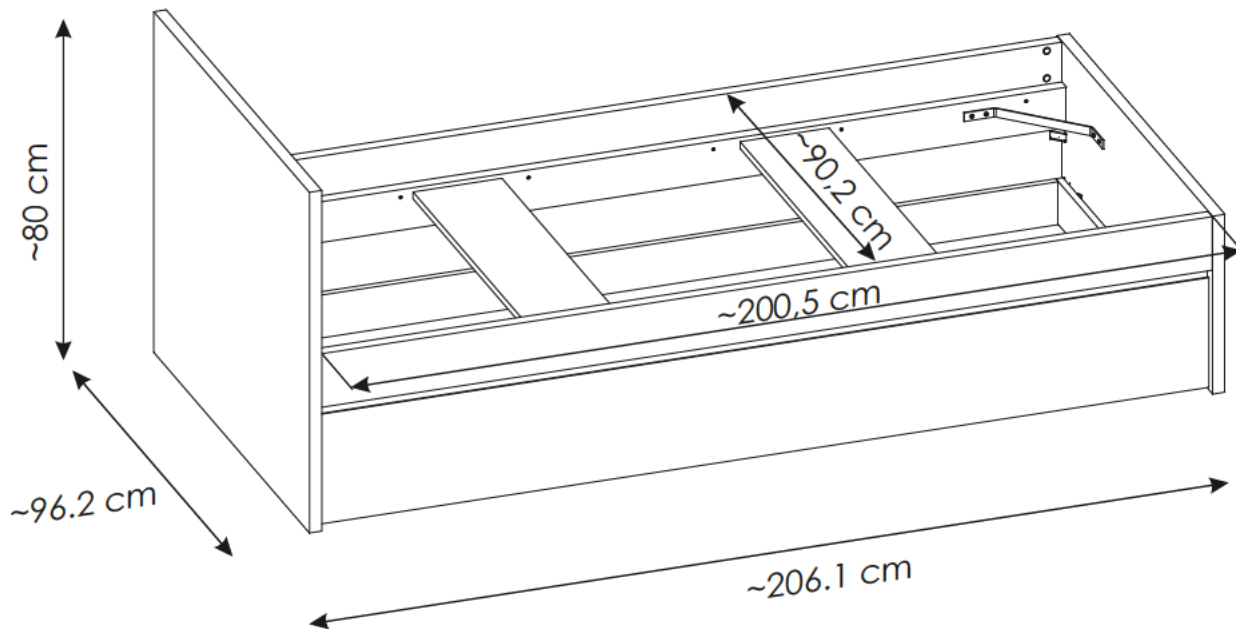
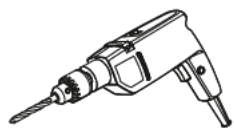
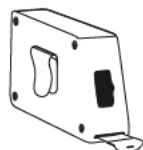
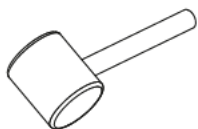
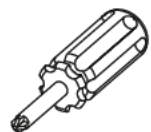
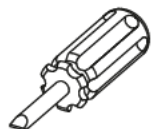
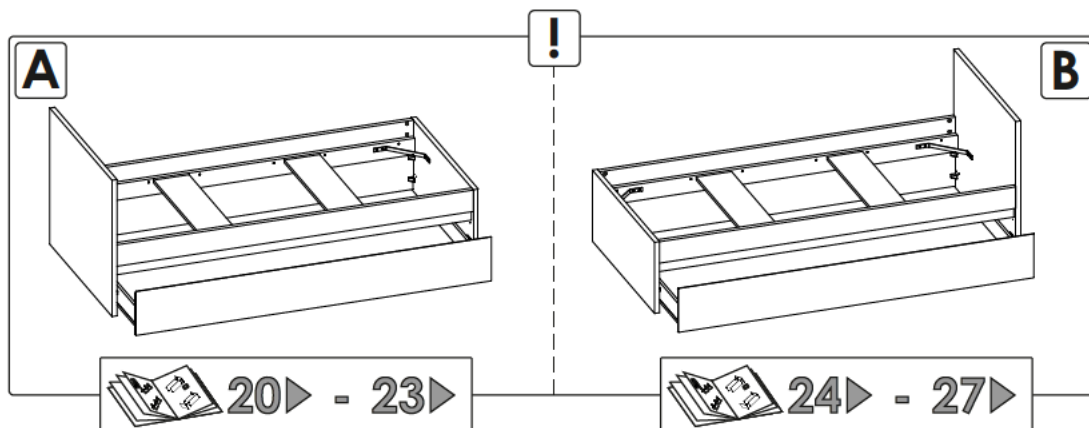
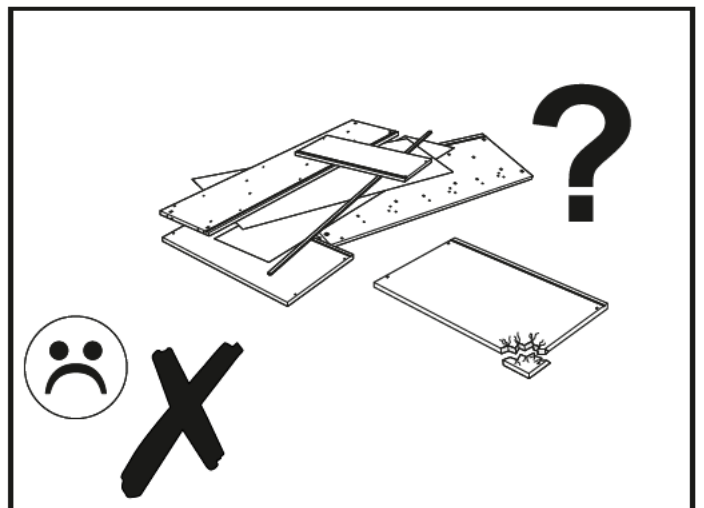
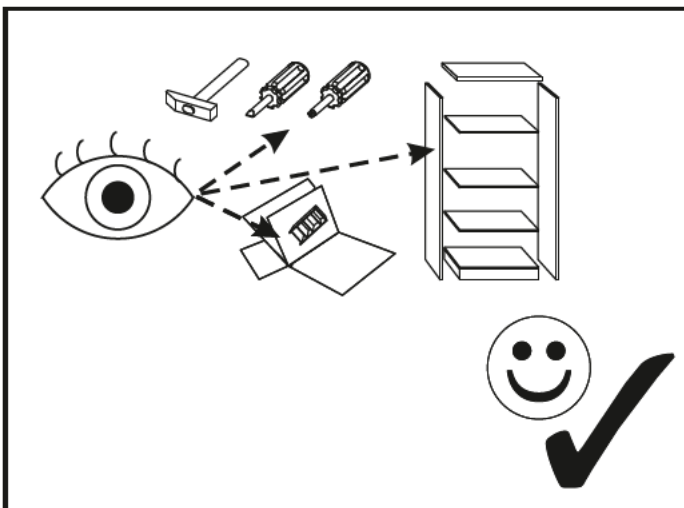
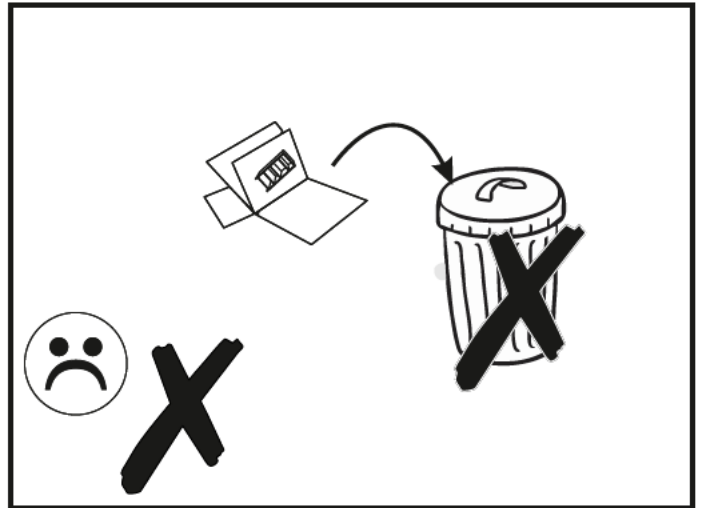
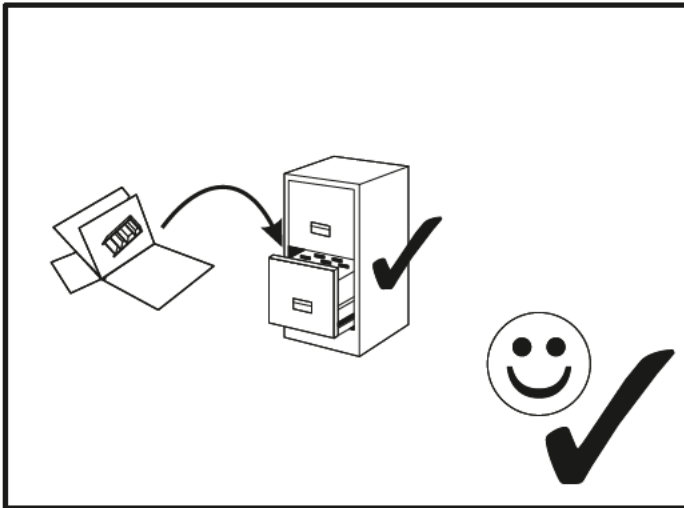
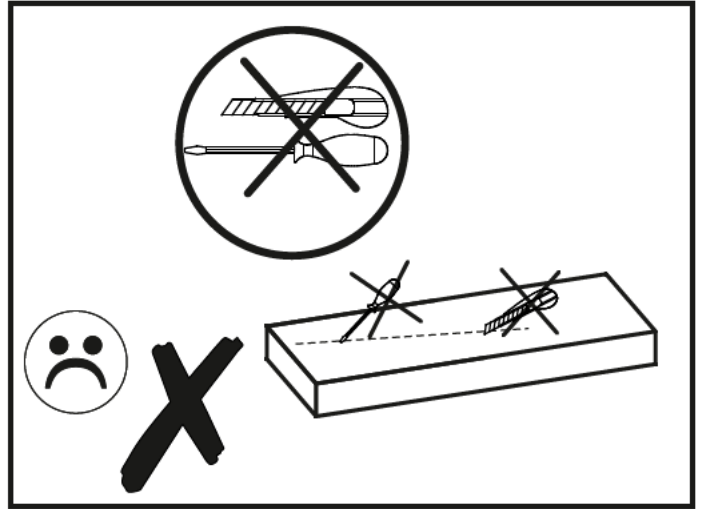
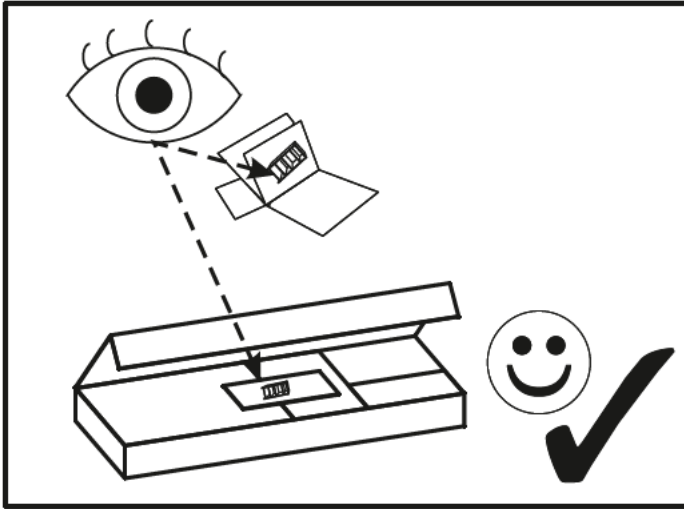




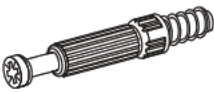




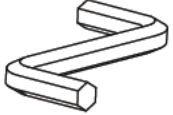


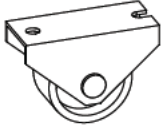

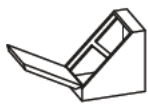
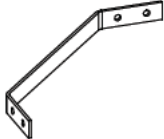


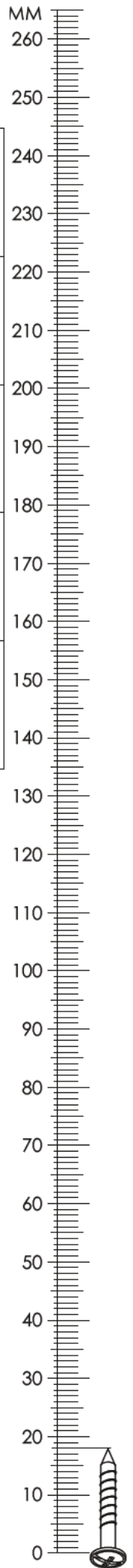


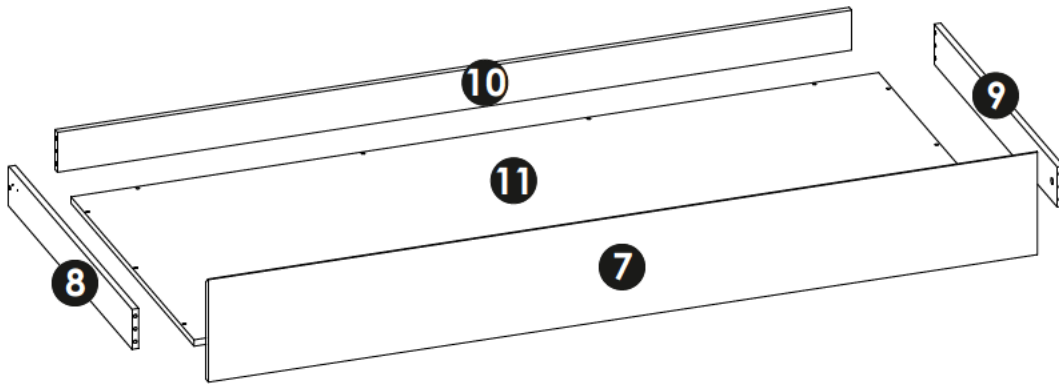
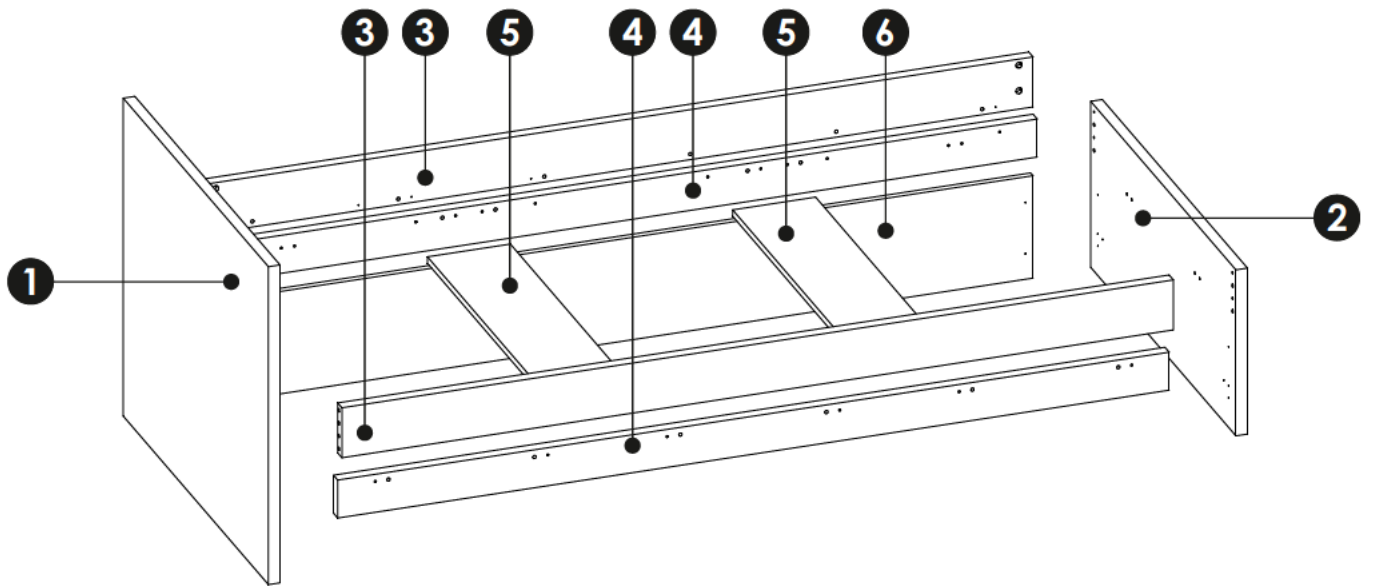
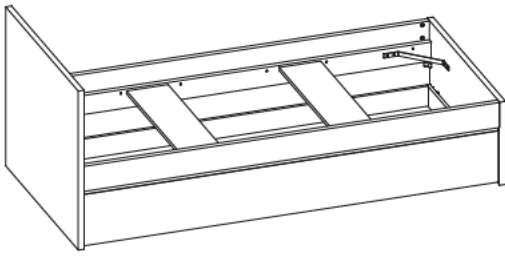
70 min





A1 8 x 35 mm x40 	C6 6.3 x 16 mm x16 	E0 Ø16 x10 
E1 15 x 12 mm x22 	F1 6 x 34 mm x22 	G0 x2 
G1 7 x 50 mm x12 	I0 3 x 13 mm x20 	J10 4 x 45 mm x12 
M x1 	N2 3,5 X 16 mm x8 	O2 x6 
O5 x10 	R8 x4 	W x4 
W2 x4 		

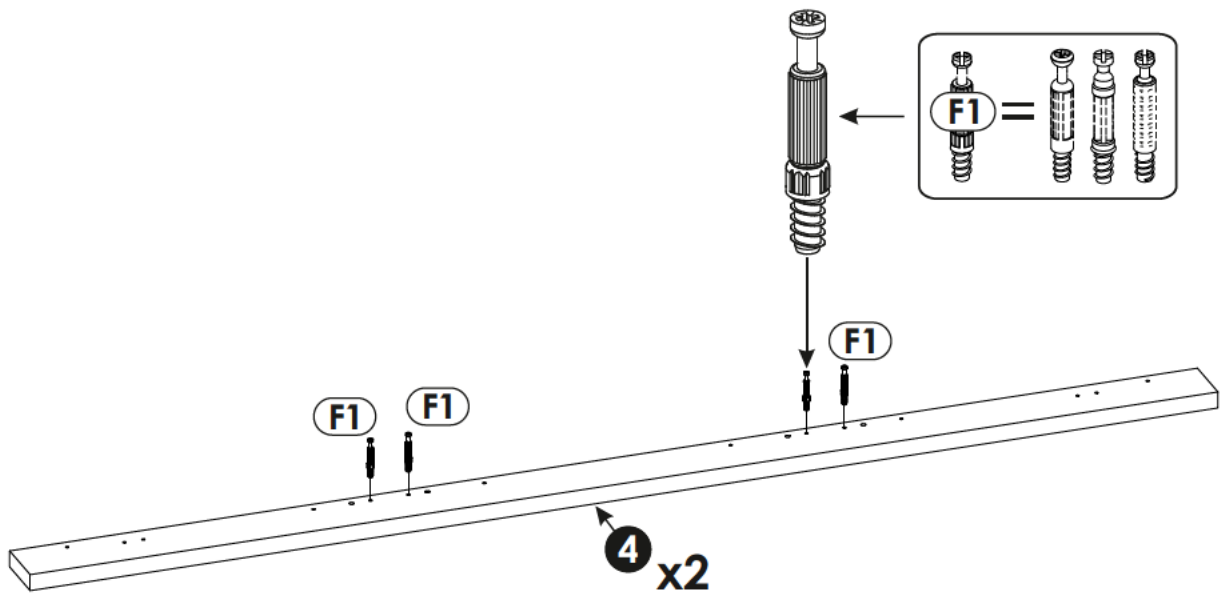
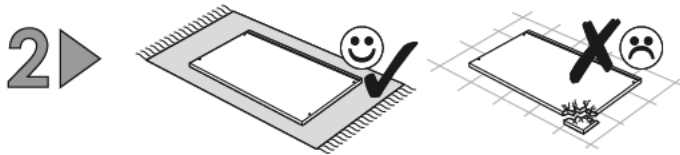
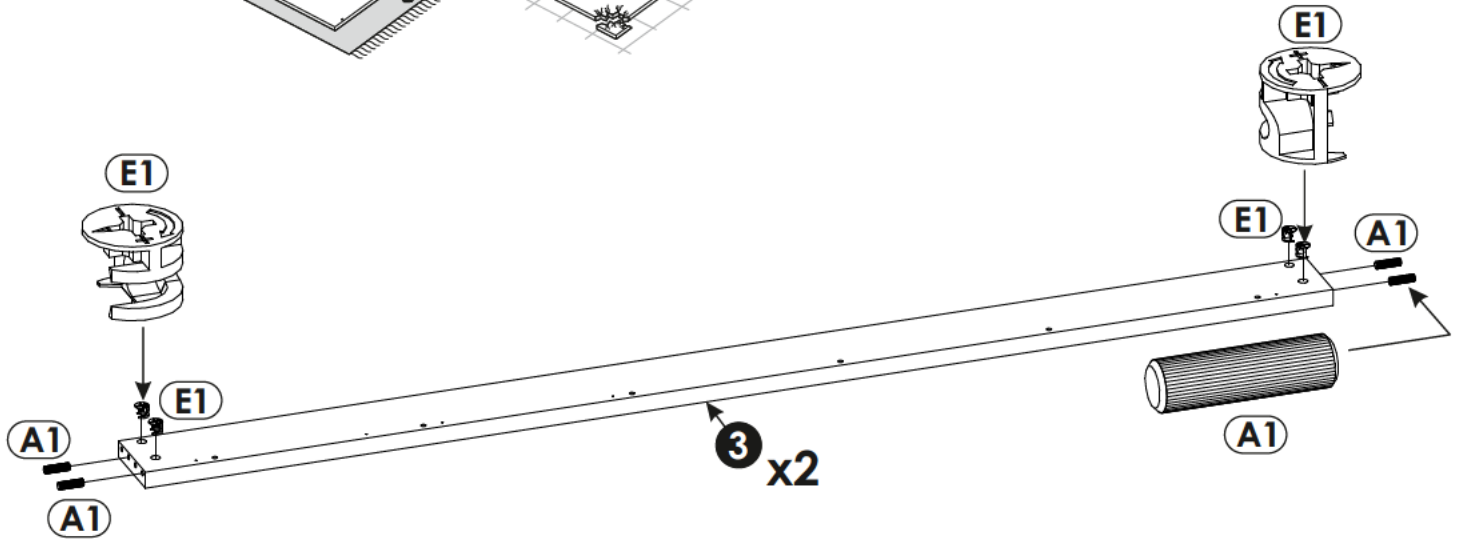
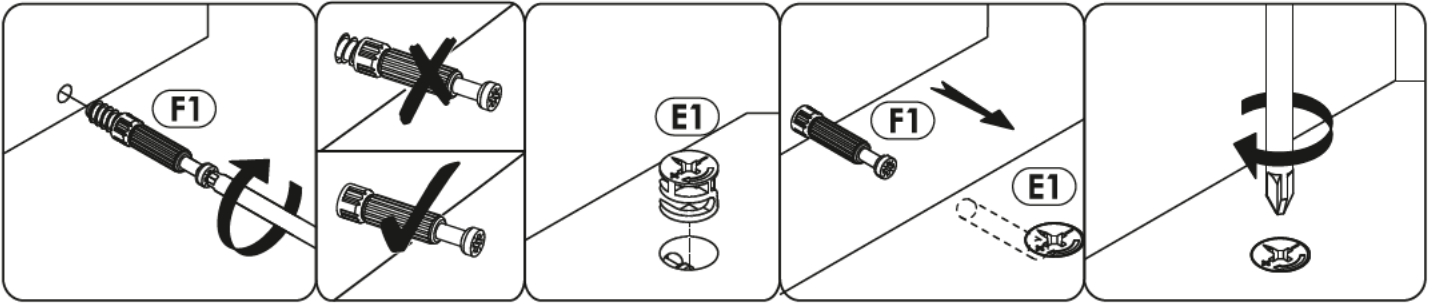


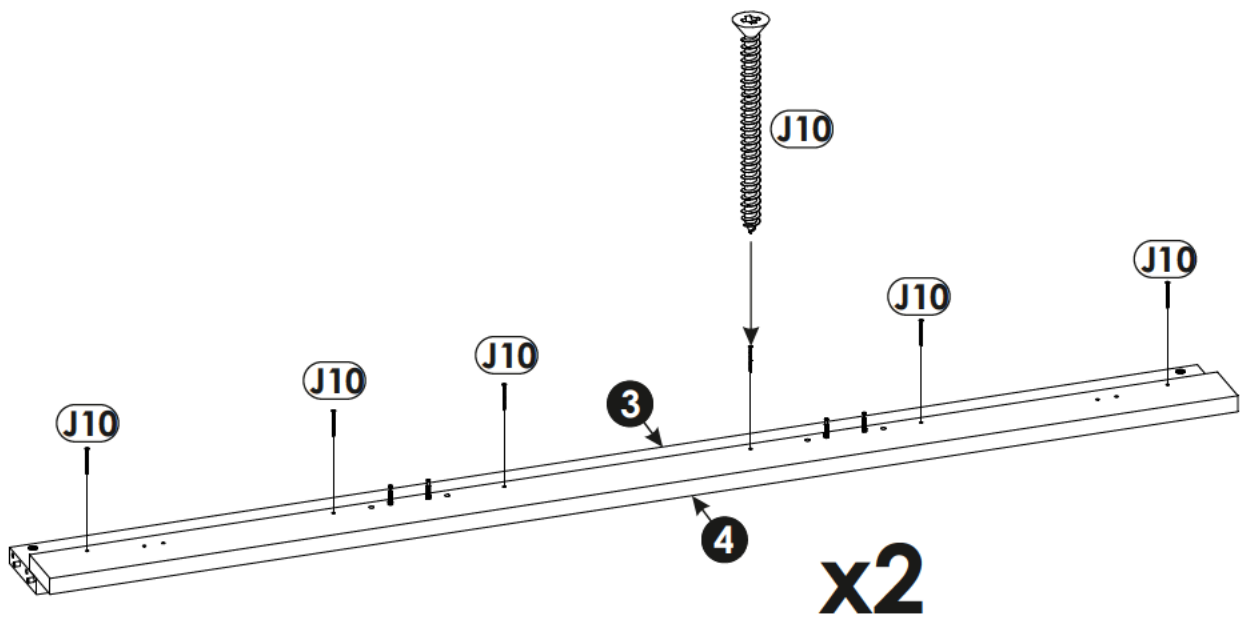
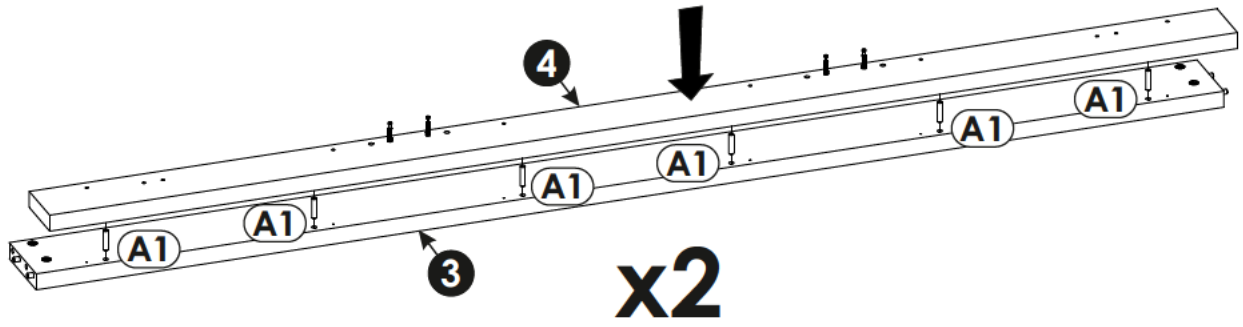
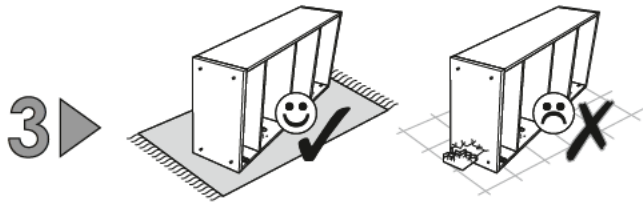


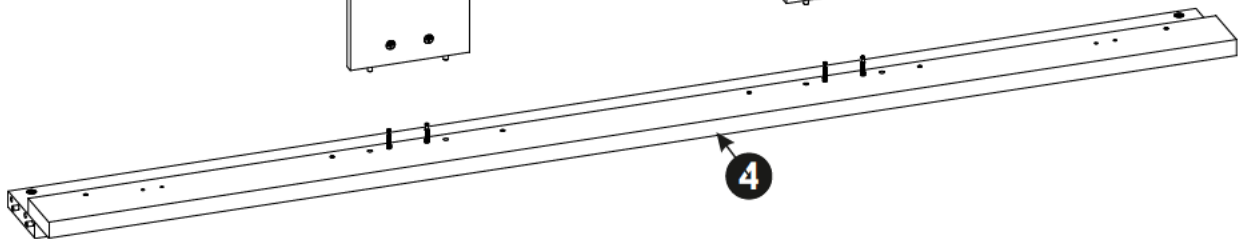
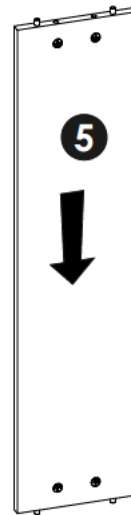
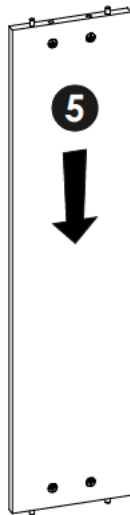
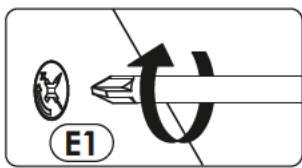
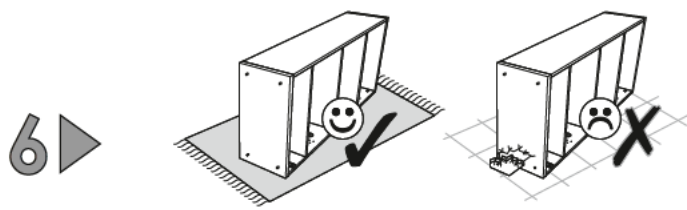
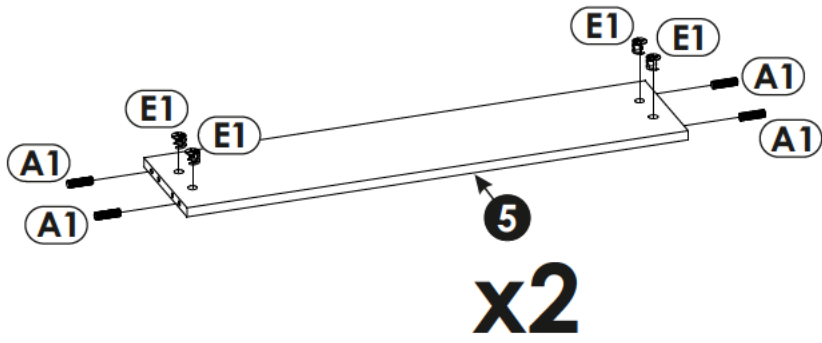
1	962	795	28	x1	1/3
2	962	415	28	x1	1/3
3	2005	125	28	x2	2/3
4	2005	95	28	x2	2/3

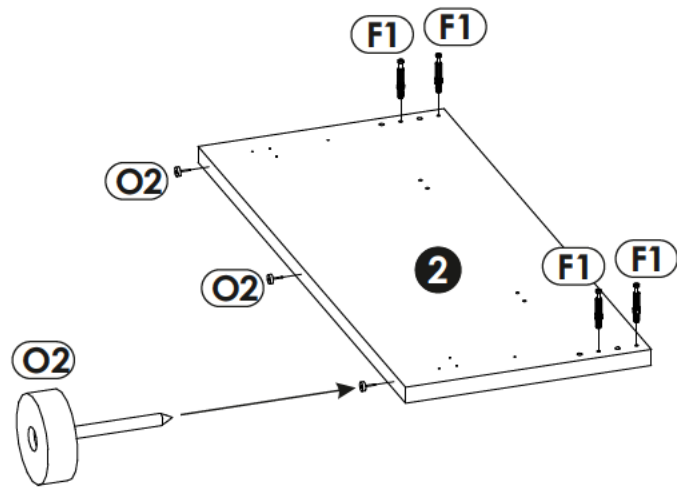
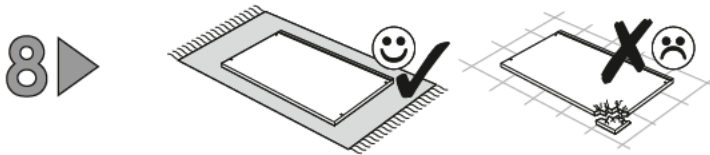
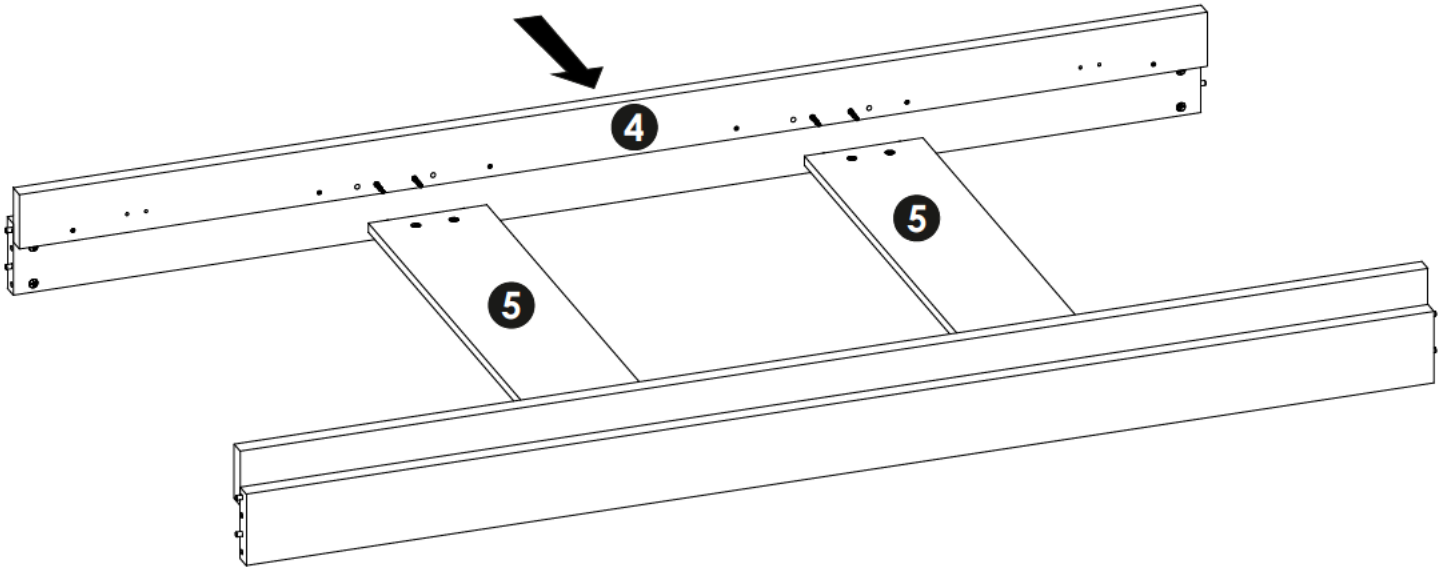
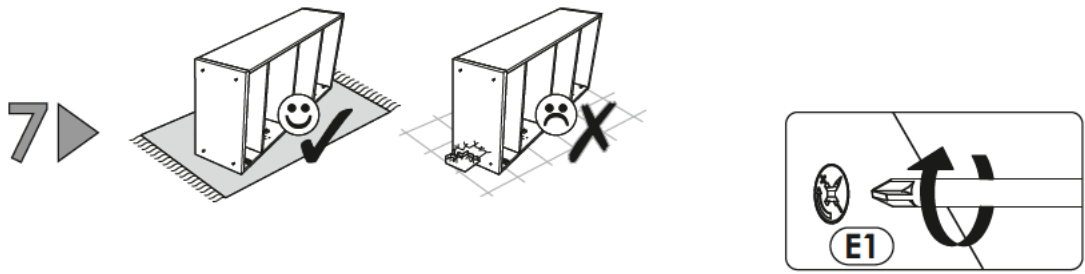
5	846	200	16	x2	2/3
6	2005	256	16	x1	3/3
7	1999	256	16	x1	3/3
8	816	100	16	x1	2/3

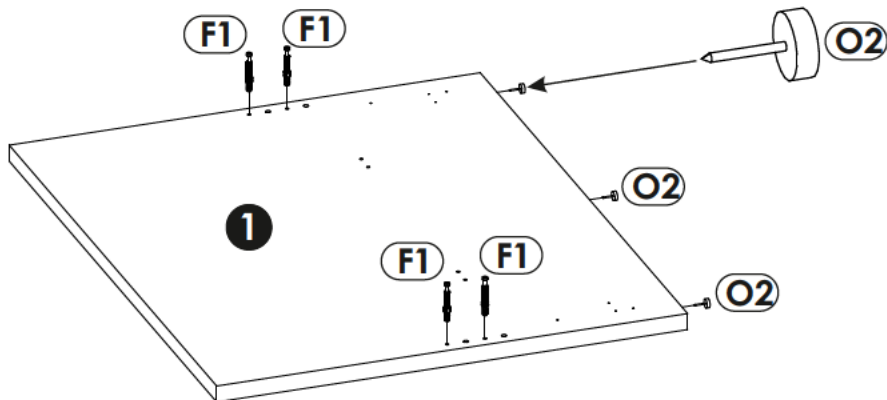
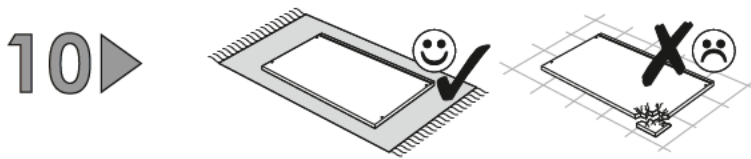
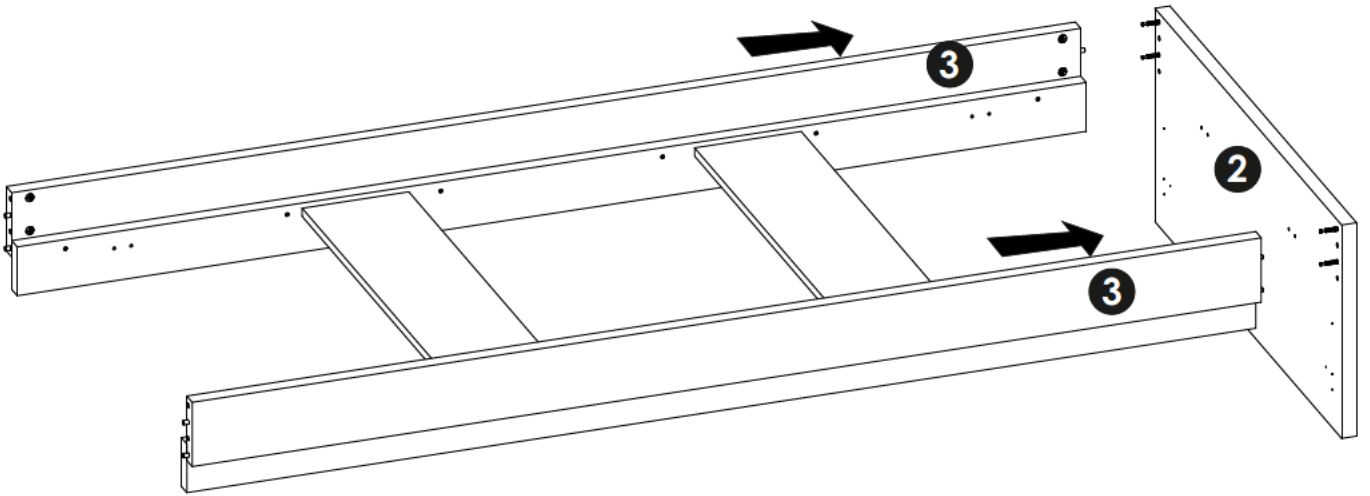
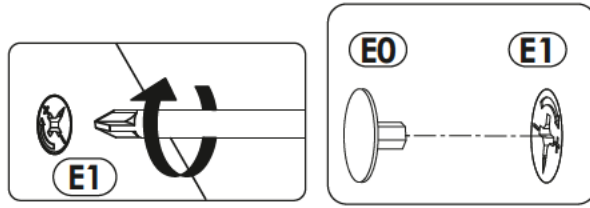
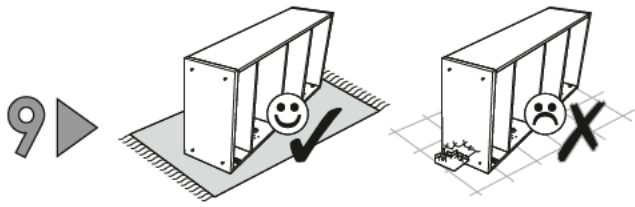
9	816	100	16	x1	2/3
10	1915	100	16	x1	2/3
11	1948	816	16	x1	3/3



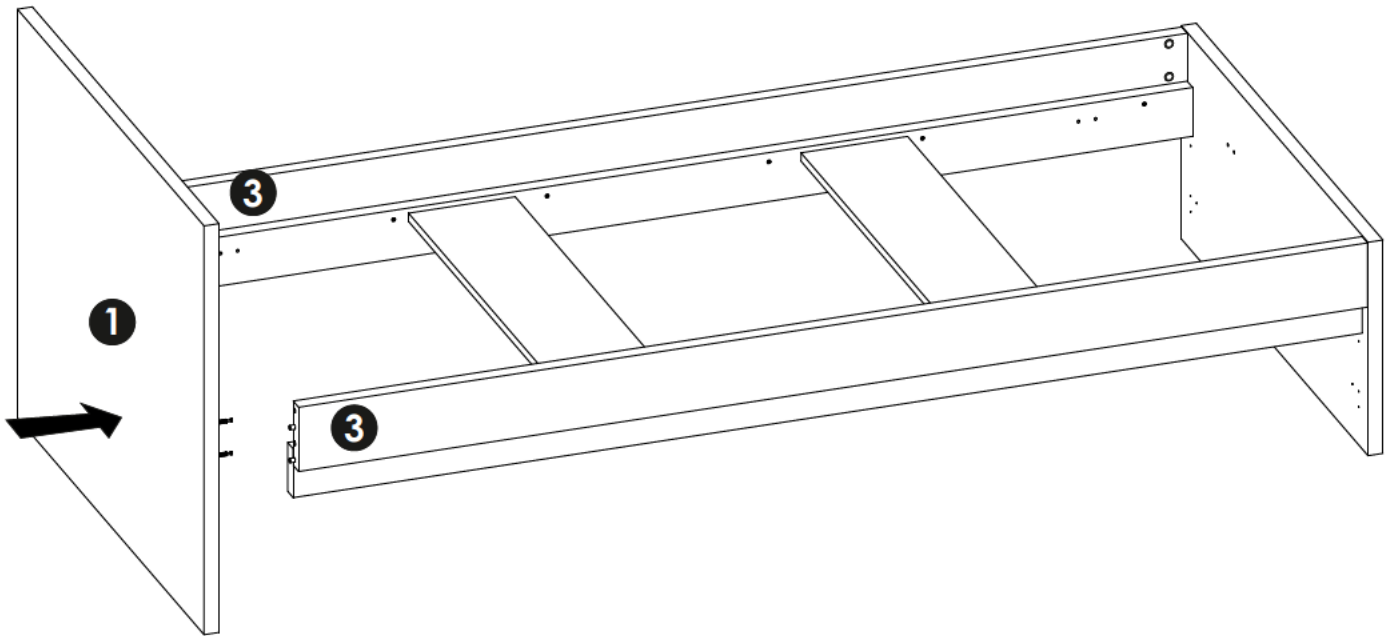
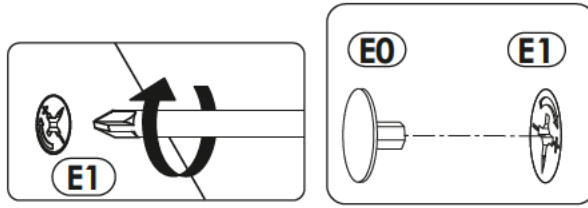
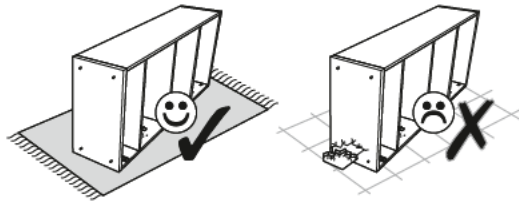




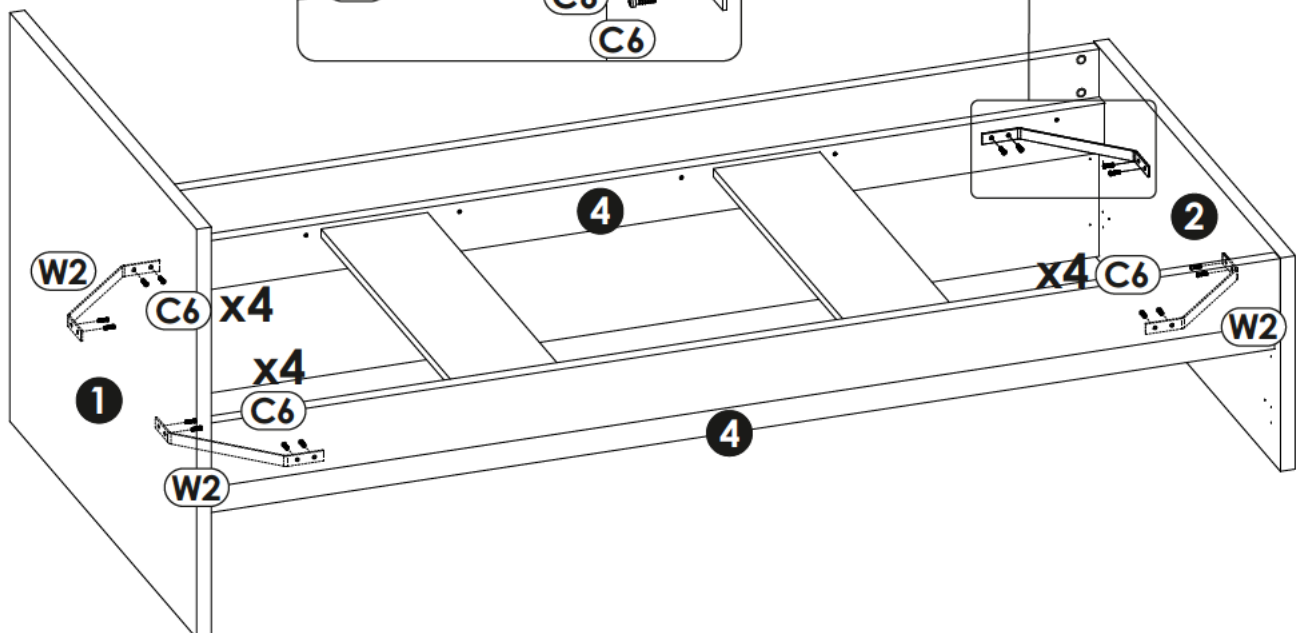
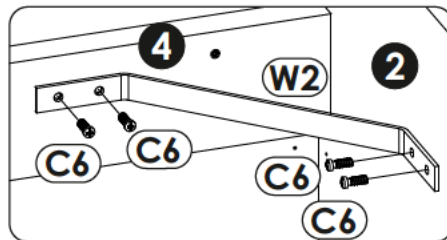




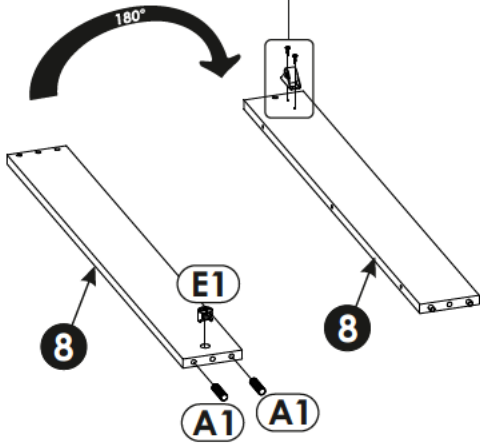
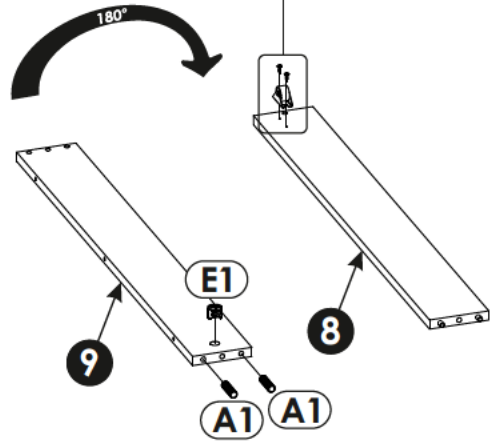
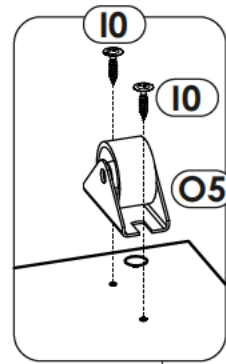
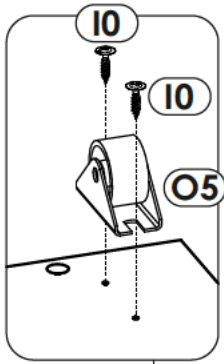
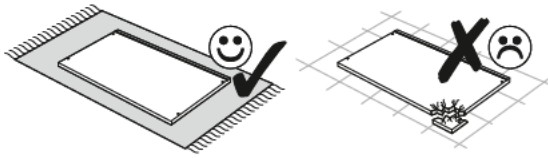
11 ▶



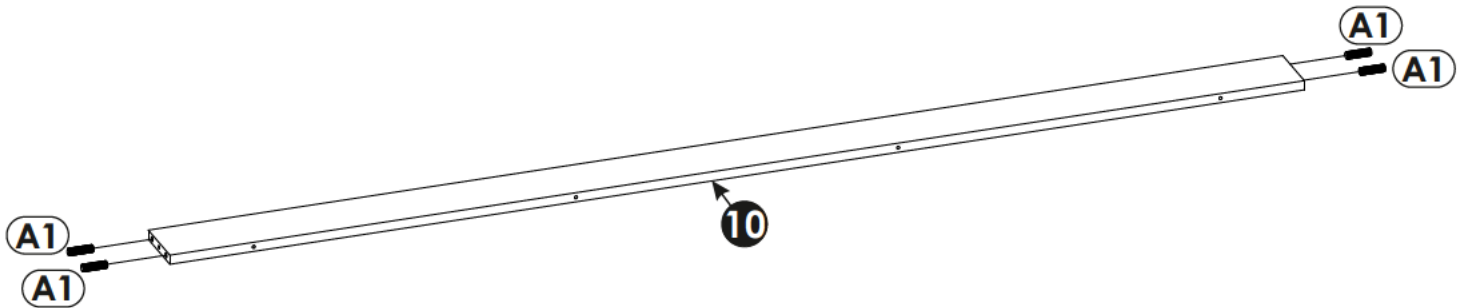
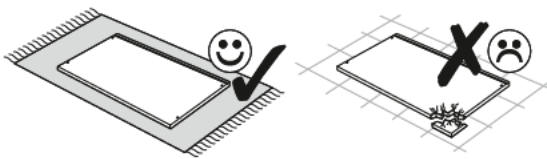
12 ▶



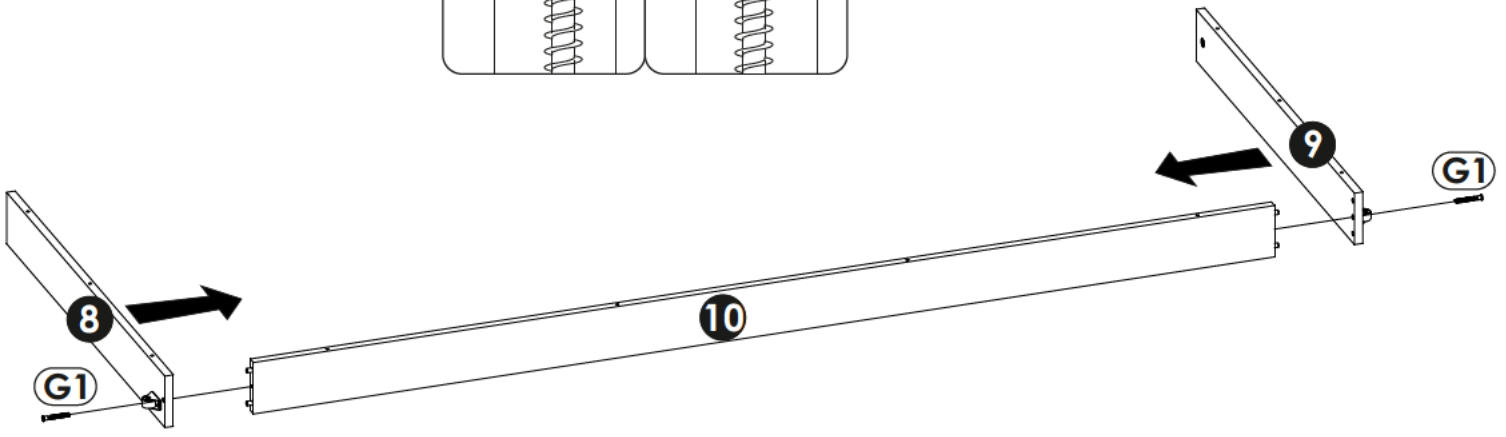
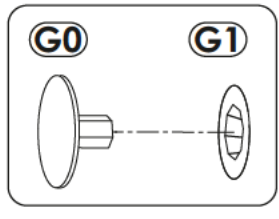
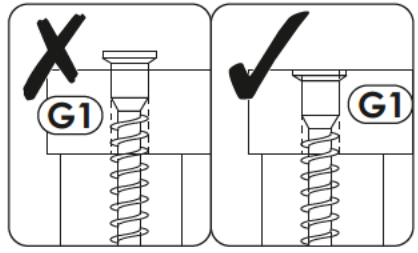
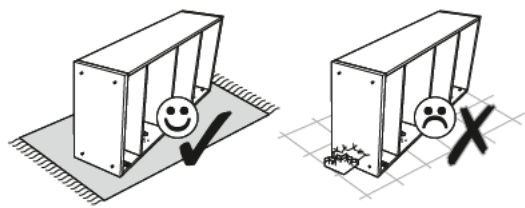
13▶



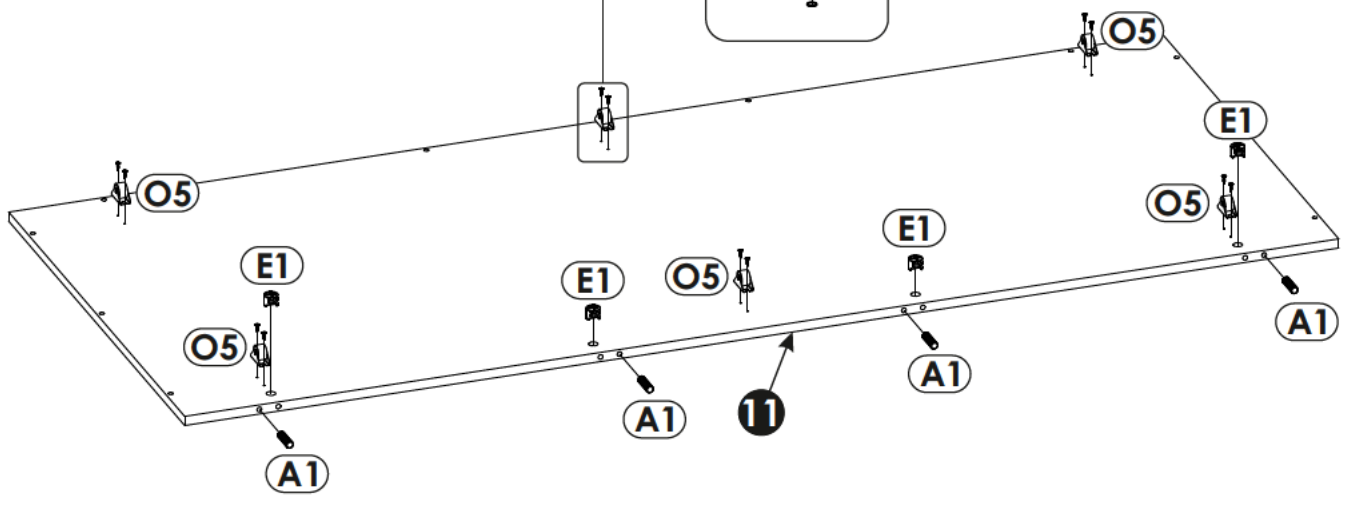
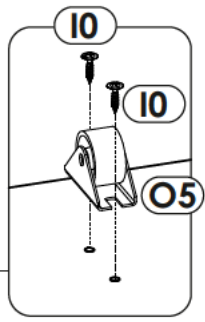
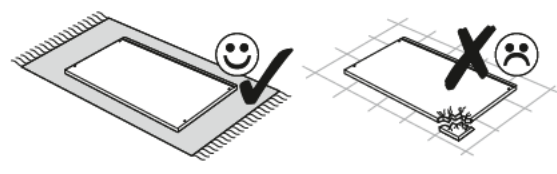
14▶

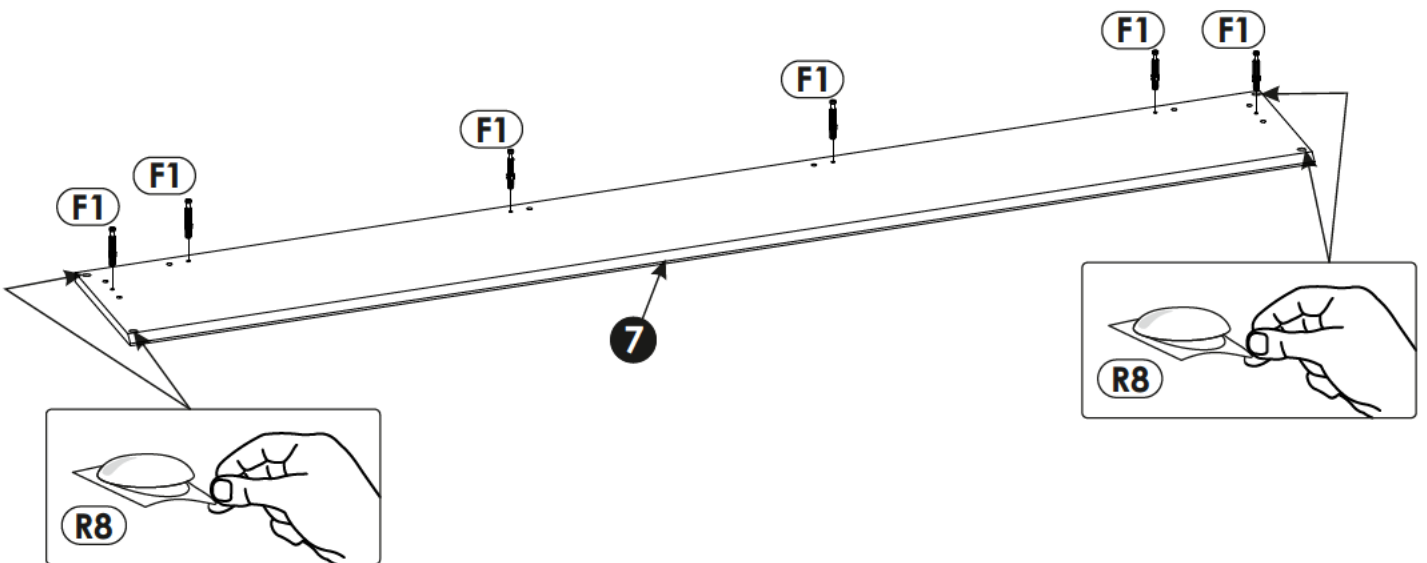
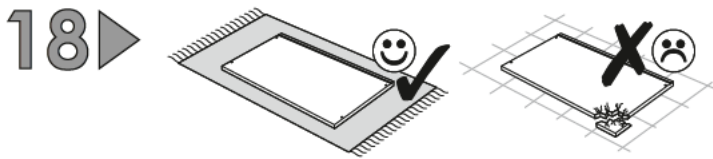
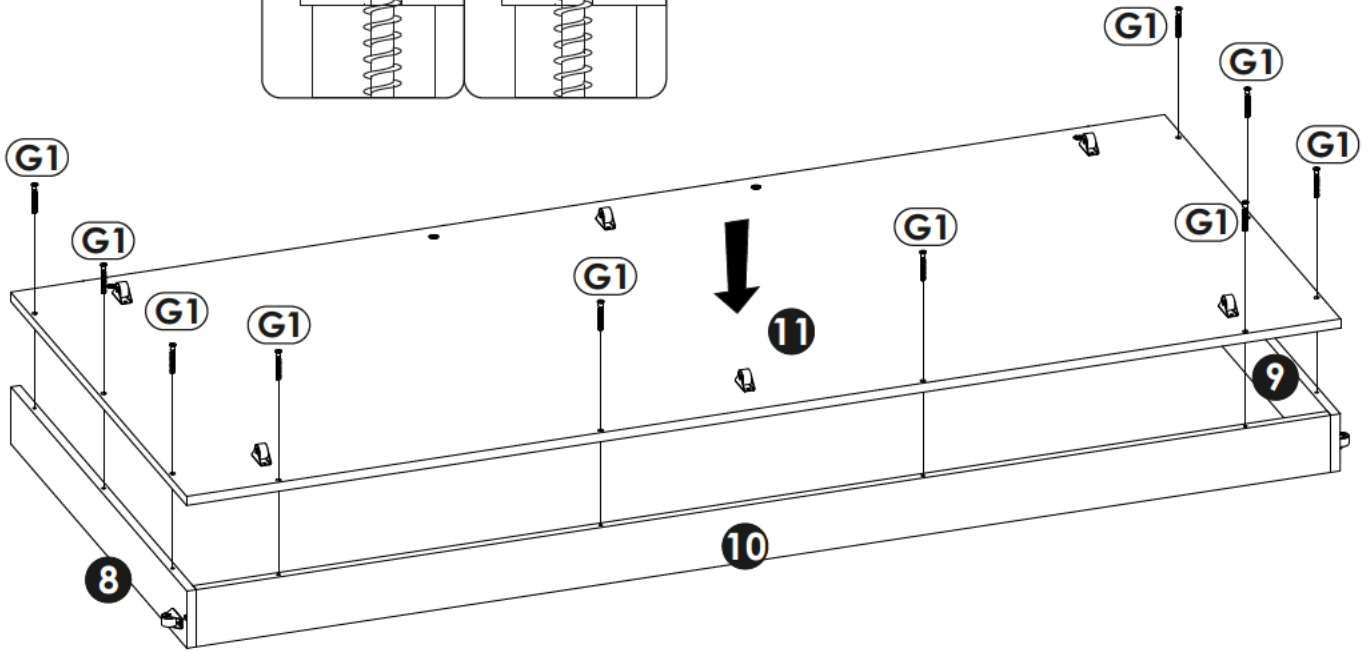
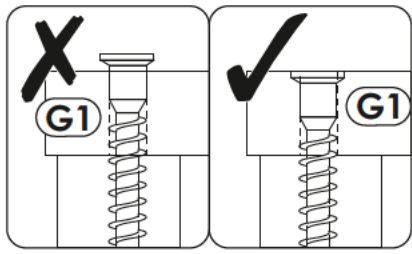
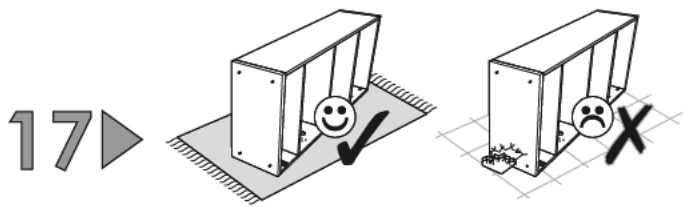


15 ▶

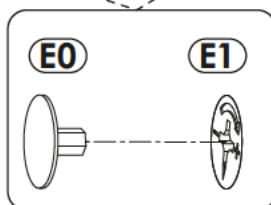
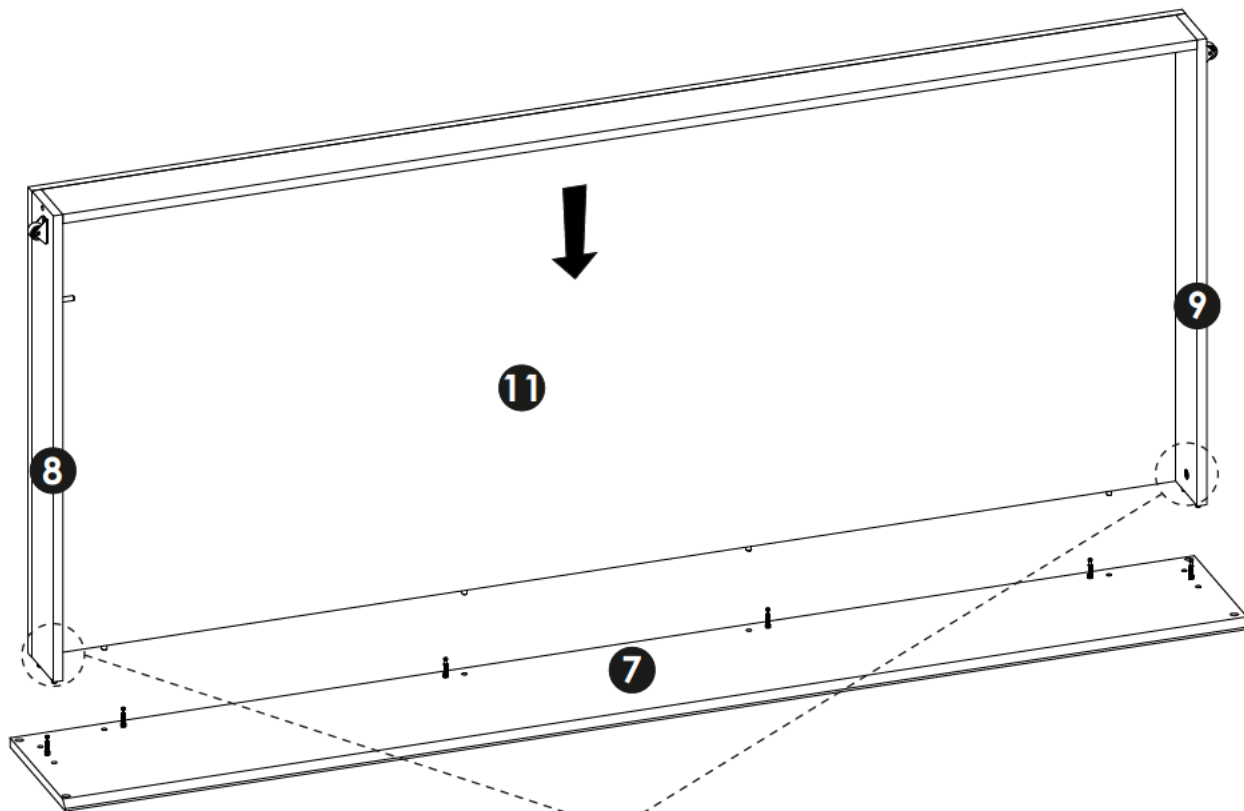
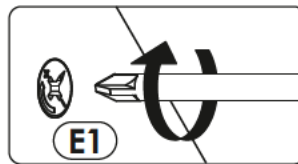
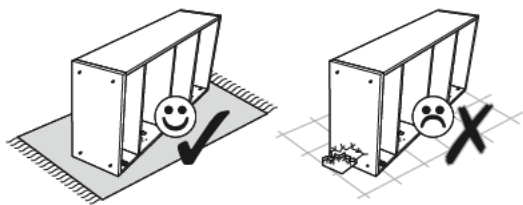


16 ▶





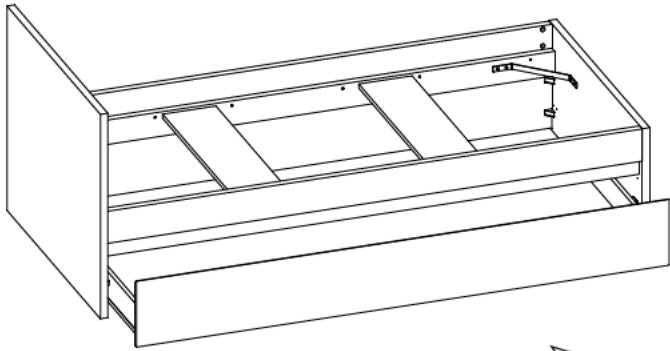
19 ▶



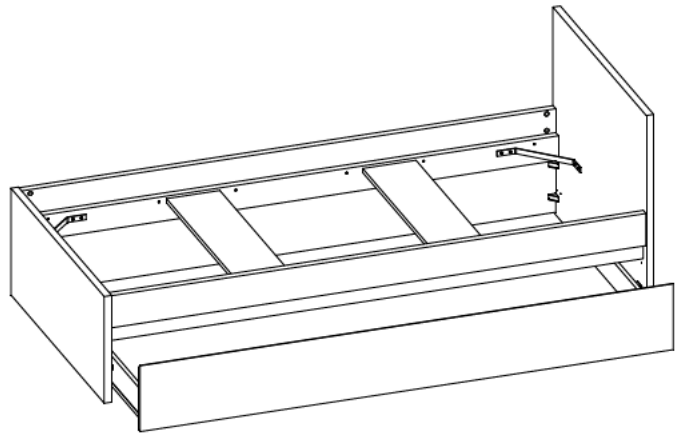
A

!

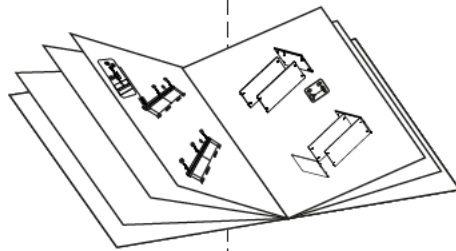
B



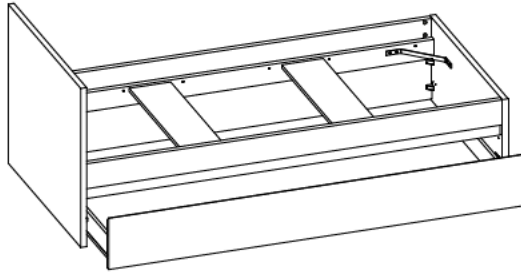
20▶ - 23▶



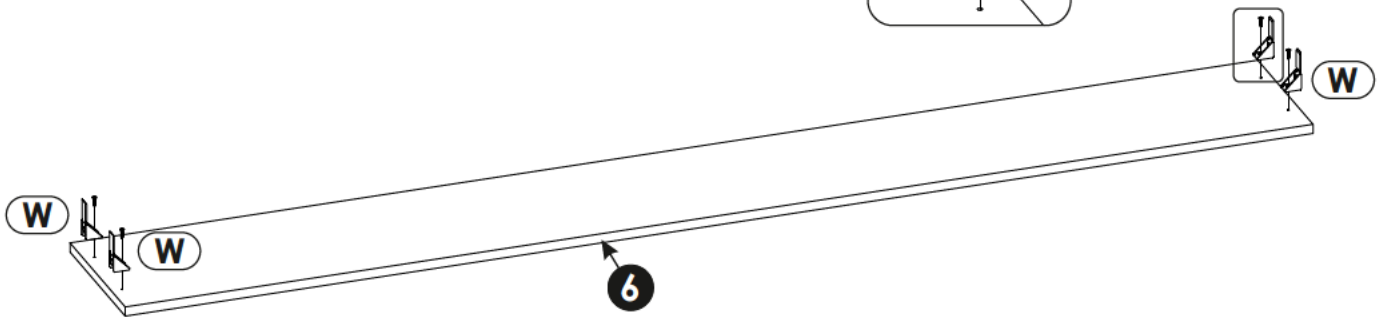
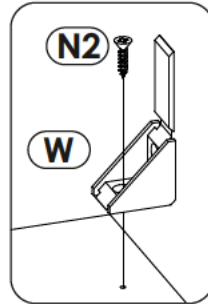
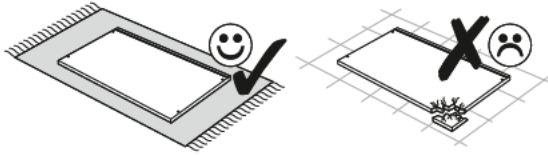
24▶ - 27▶



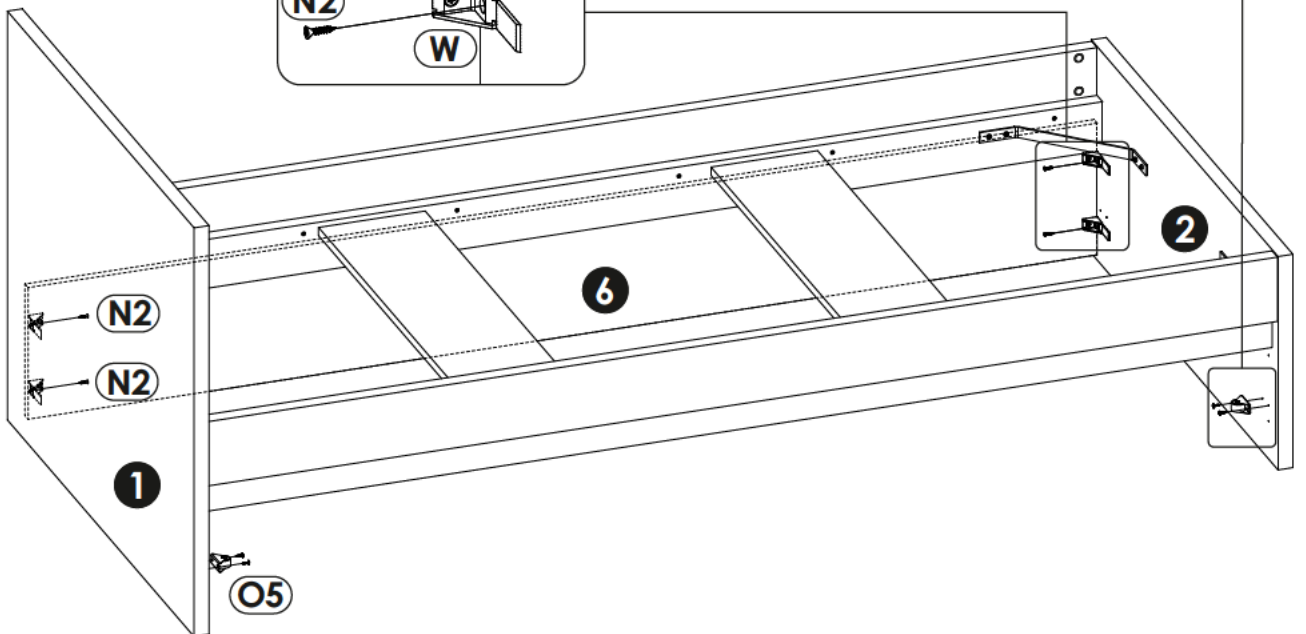
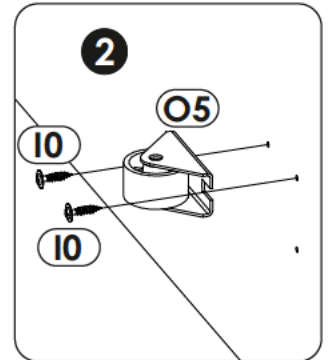
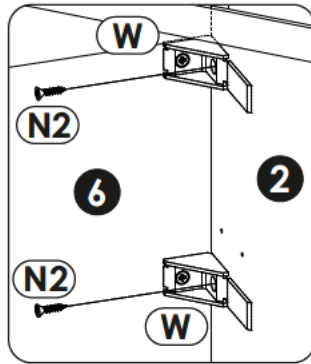
A



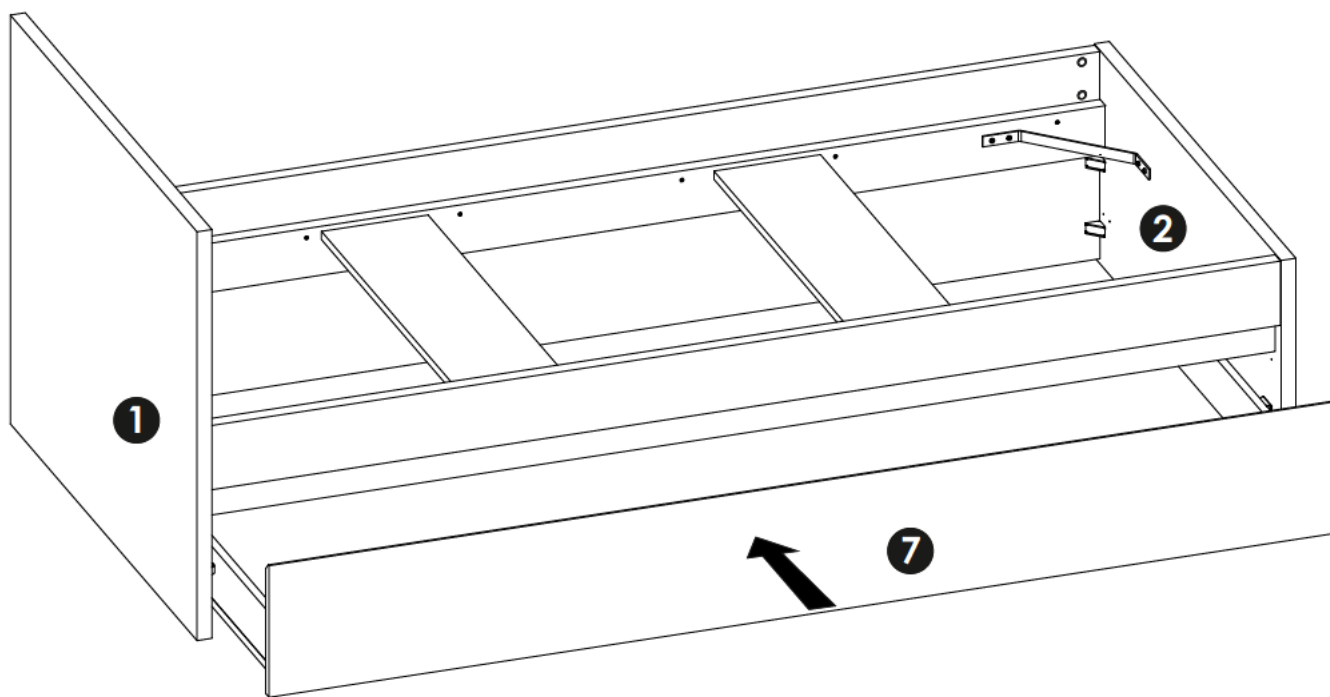
20 ▶



21 ▶



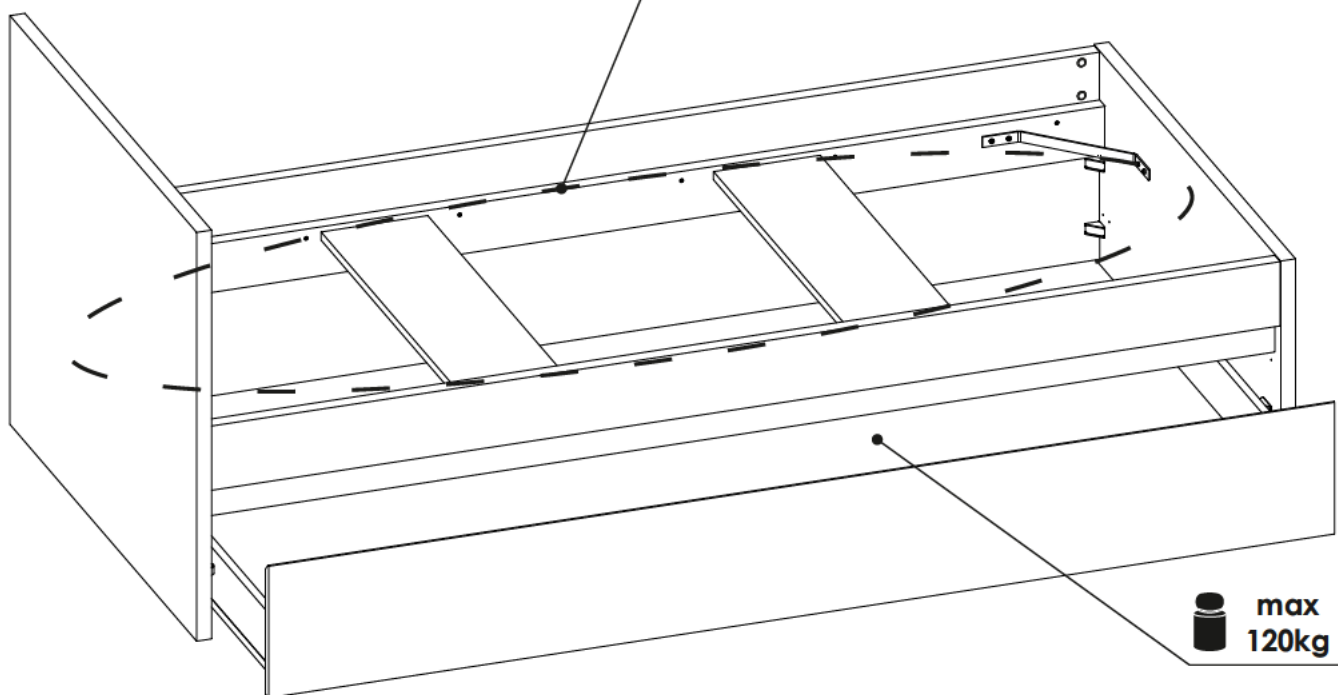
22 ▶



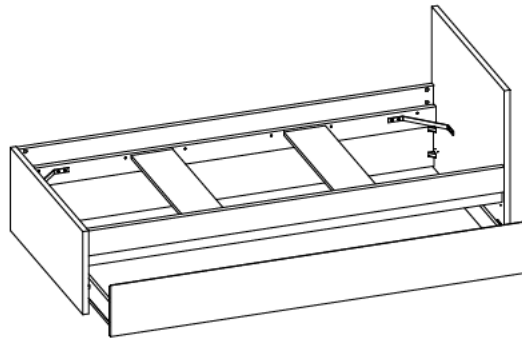
23 ▶



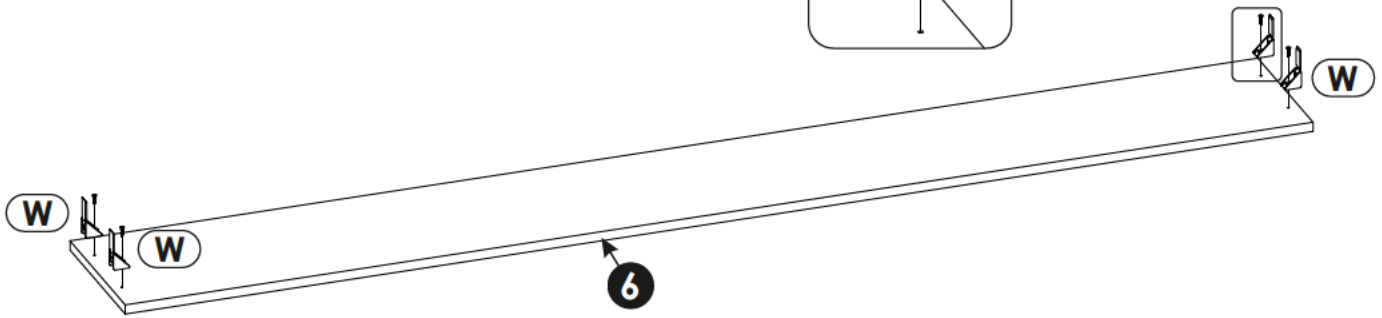
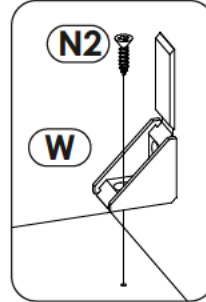
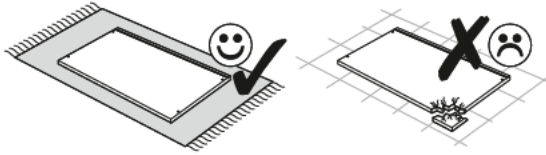
max
120kg



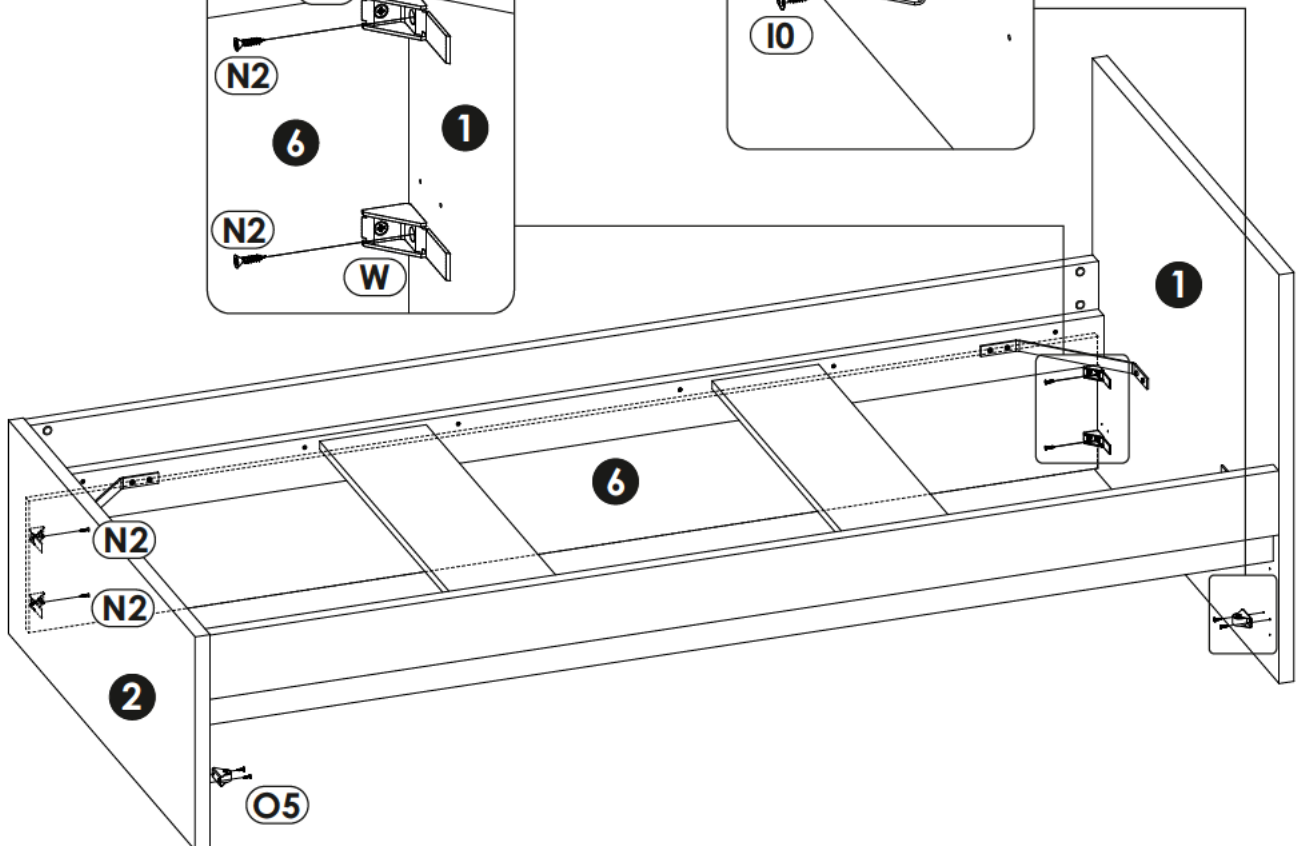
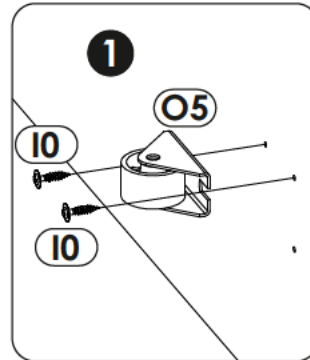
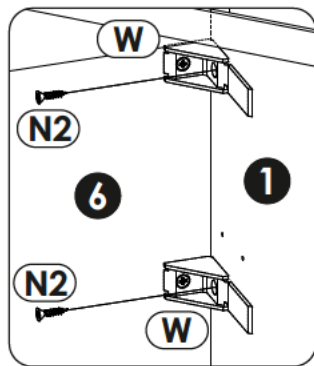
B



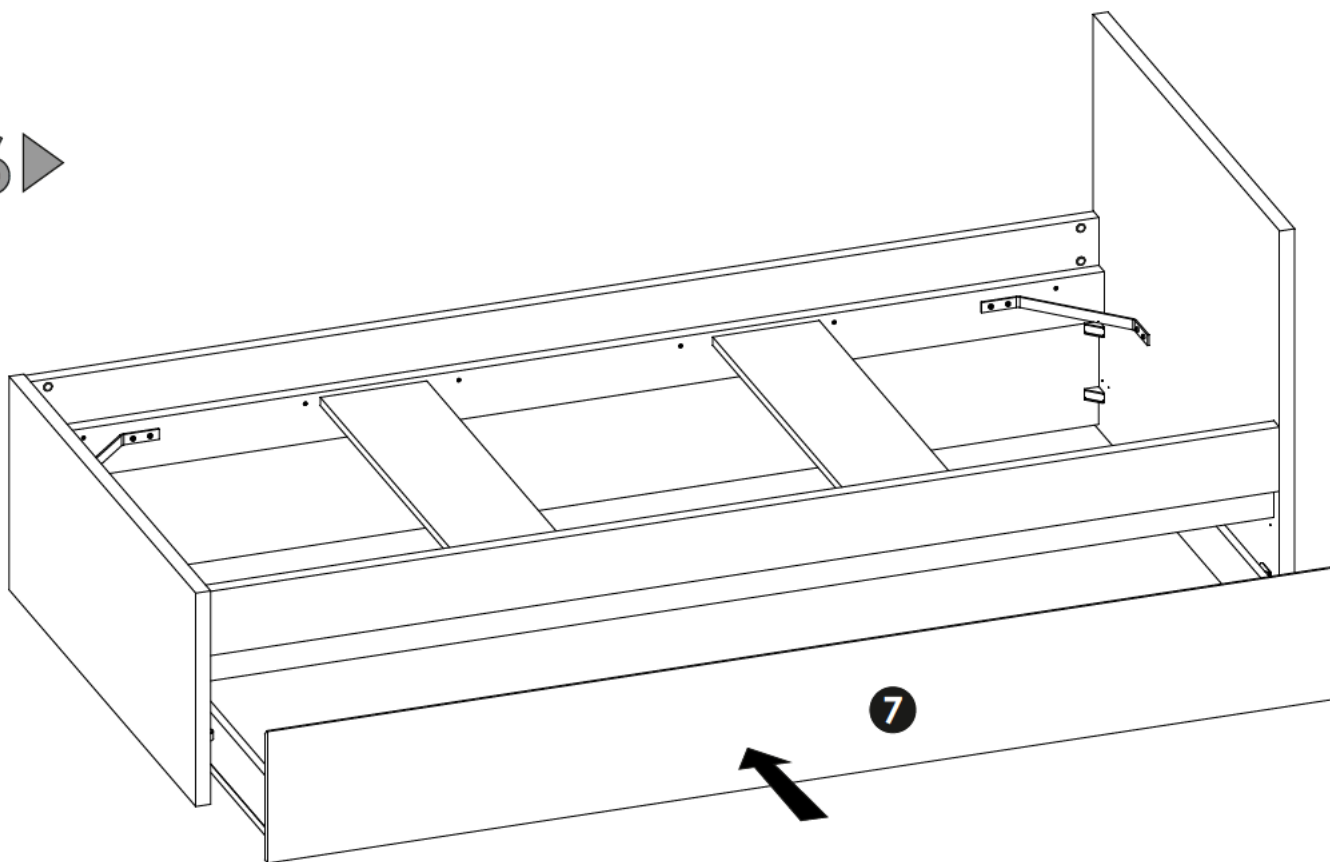
24 ▶



25 ▶



26 ▶



27 ▶

