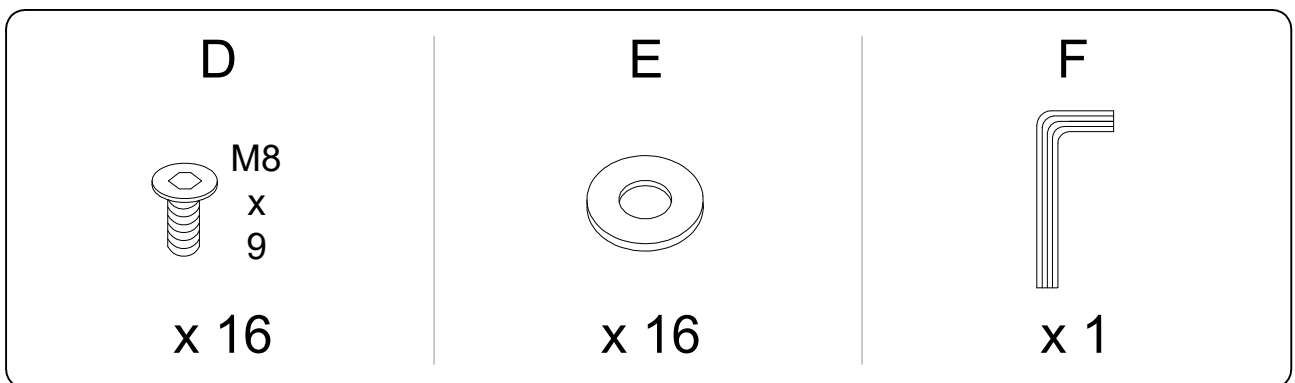
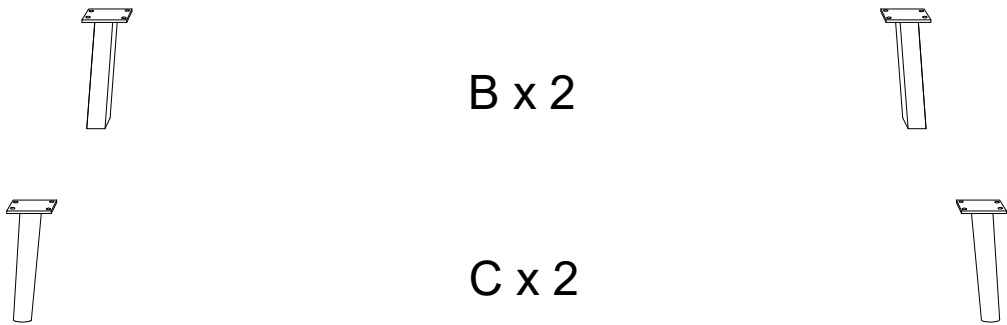
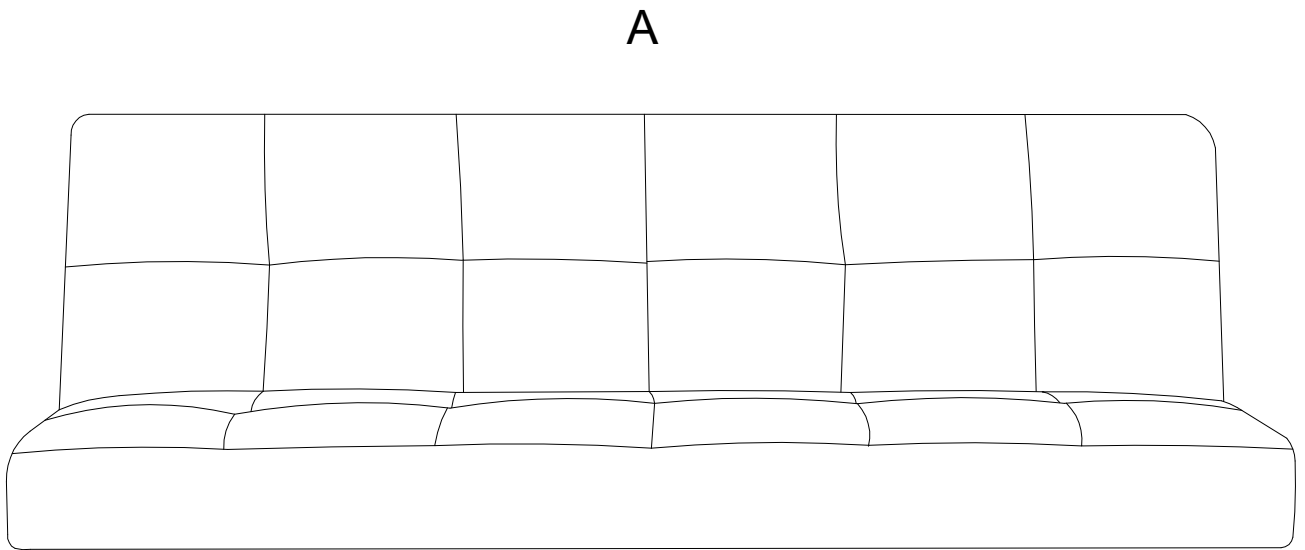
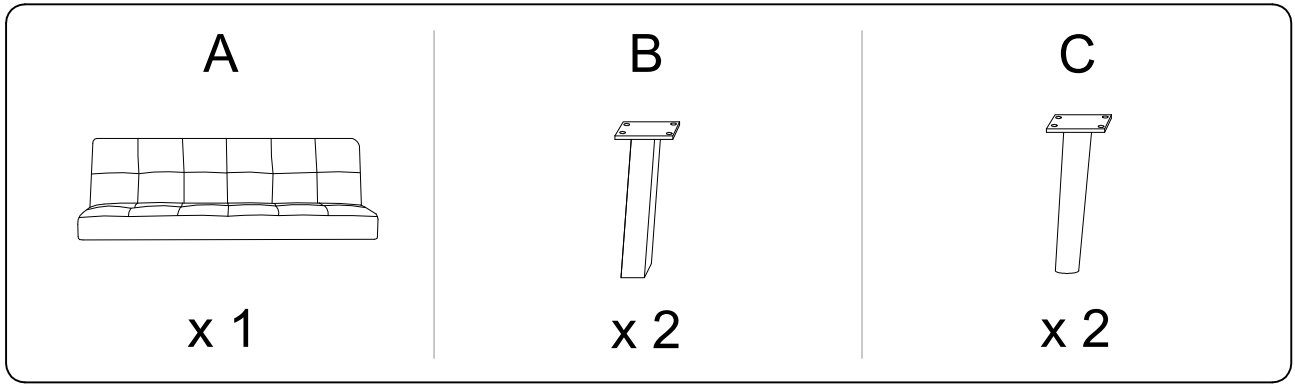




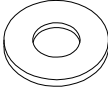
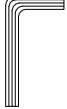


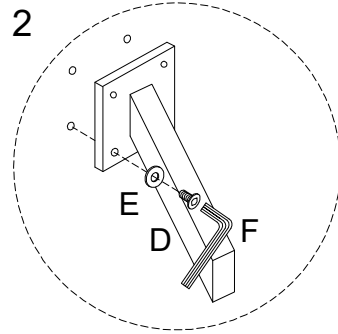
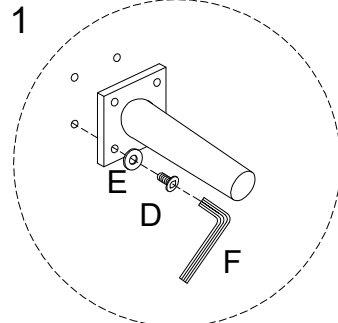
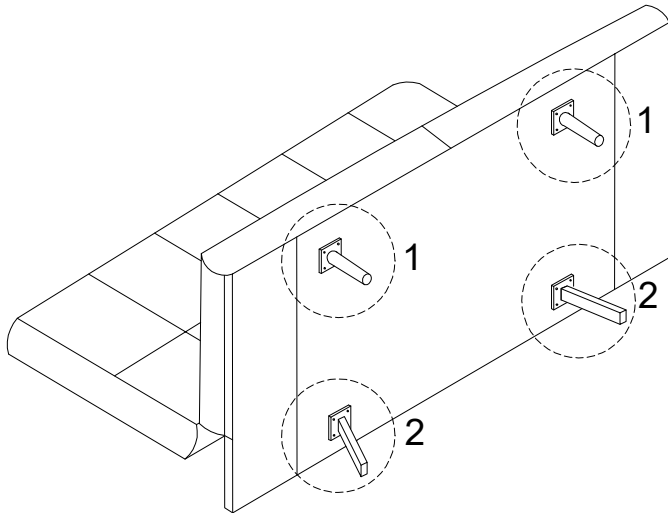
Diagram illustrating assembly instructions and safety warnings:

- Warning 1:** A warning triangle with an exclamation mark is shown next to a box containing:
  - An icon of an L-shaped metal bracket.
  - An icon of a power drill with a slash through it, indicating that a power drill should not be used.
- Warning 2:** A second warning triangle with an exclamation mark is shown next to a box containing:
  - An icon of a rectangular block being placed on a textured surface.
  - An icon of a rectangular block with a slash through it, indicating that the block should not be placed on a soft or uneven surface.
- Time:** A clock icon is shown next to the text "15'", indicating a 15-minute assembly time.
- Person:** An icon of a person is shown next to the number "1", indicating that one person is required for assembly.

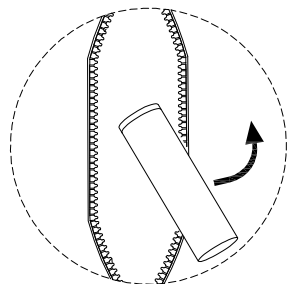
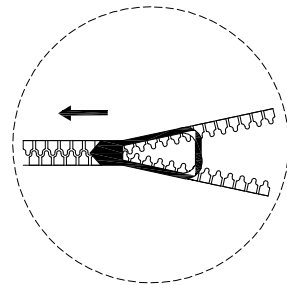
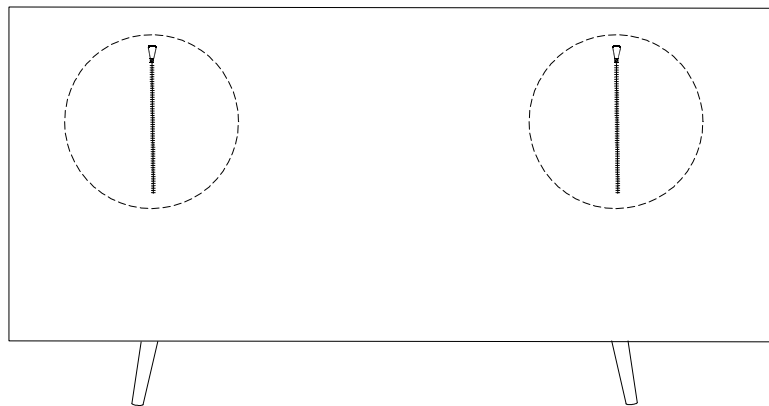


1

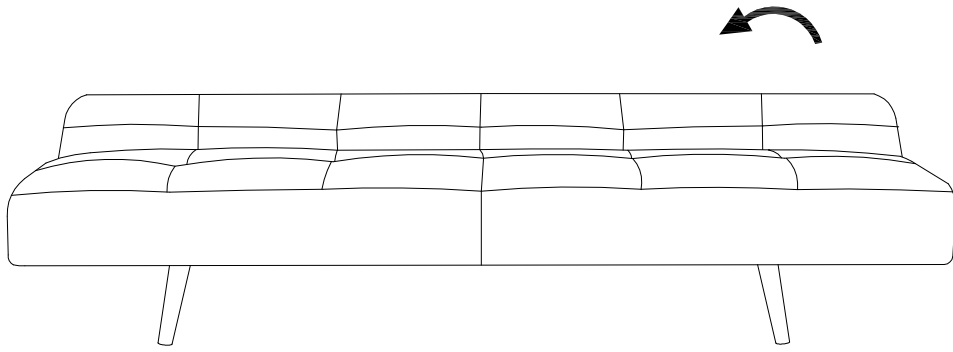
<b>A</b>  x 1	<b>B</b>  x 2	<b>C</b>  x 2	<b>D</b>  M8 x 9 x 16	<b>E</b>  x 16	<b>F</b>  x 1
--	--	--	--	---	--



2



3



4

