

Instruction Manual

Kitchen Cart	SHX-DT1743BR/BLU/BK/WH/GY
--------------	---------------------------



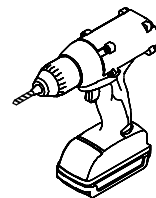
Thank you for shopping with us!

If any part is missing, broken upon receipt or you need any help from us.

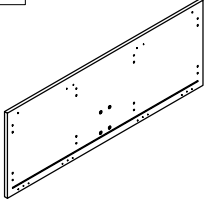
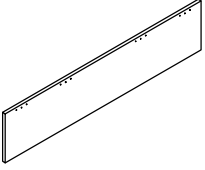




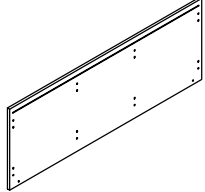
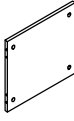
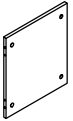
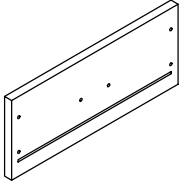
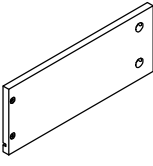
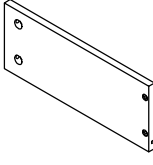
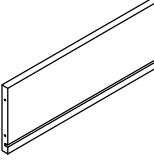
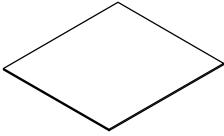
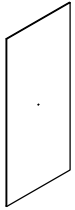


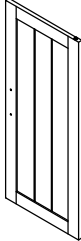
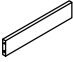
For the FASTEST SOLUTION, please FIRSTLY CONTACT US at our
after-sales email:

CSsince1987@hotmail. com!

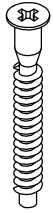










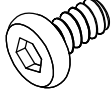
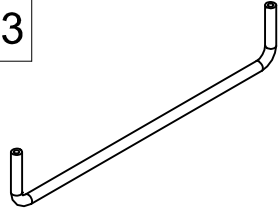
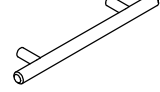
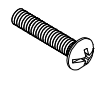


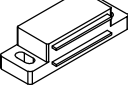
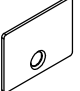
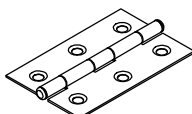
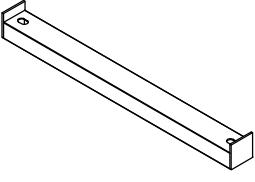
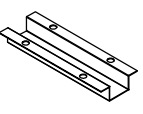
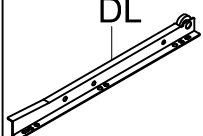
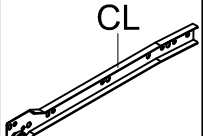
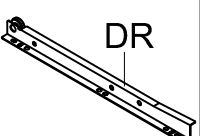
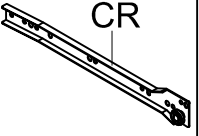
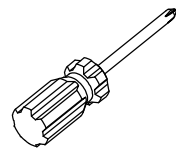
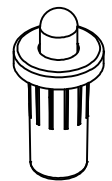
Power tool is recommended for the assembly.



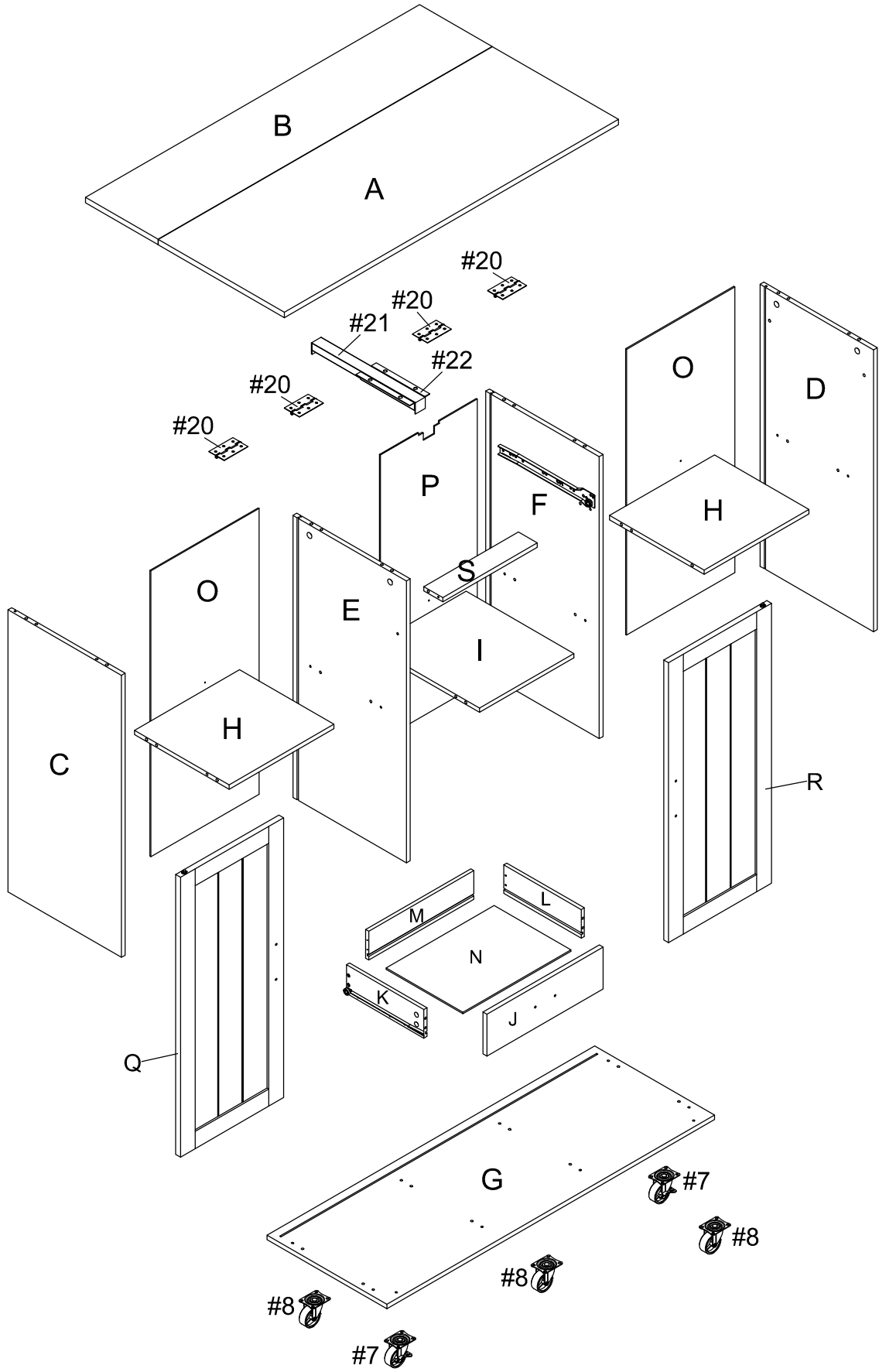
PART LIST

A 	B 	C 	D 	E 
Large Top Panel 1 PC	Small Top Panel 1 PC	Left Panel 1 PC	Right Panel 1 PC	Left Partition Panel 1 PC
F 	G 	H 	I 	J 
Right Partition Panel 1 PC	Bottom Panel 1 PC	Side Fixed Shelf Panel 2 PCS	Center Fixed Shelf Panel 1 PC	Drawer Front Panel 1 PC
K 	L 	M 	N 	O 
Drawer Left Panel 1 PC	Drawer Right Panel 1 PC	Drawer Back Panel 1 PC	Drawer Bottom Panel 1 PC	Side Back Panel 2 PCS
P 	Q 	R 	S 	
Center Back Panel 1 PC	Left Door 1 PC	Right Door 1 PC	Front Center Rail 1 PC	

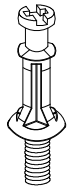
HARDWARE LIST

<p>#1</p>  <p>Ø5*40mm</p>	<p>#2</p>  <p>Ø6*30mm</p>	<p>#3</p>  <p>Ø3.5*30mm</p>	<p>#4</p>  <p>Ø6*35mm</p>	<p>#5</p>  <p>Ø15*9mm</p>	<p>#6</p>  <p>Ø3*12mm</p>
Screw	Wood Dowel	Screw	Cam-bolt	Cam-lock	Screw
10 PCS (Extra 2)	30 PCS (Extra 4)	4 PCS (Extra 1)	24 PCS (Extra 3)	24 PCS(Extra 3)	12 PCS (Extra 2)
<p>#7</p>  <p>3"</p>	<p>#8</p>  <p>3"</p>	<p>#9</p>  <p>Ø4.5*12mm</p>	<p>#10</p>  <p>14*10mm</p>	<p>#11</p>  <p>Ø3.5*14mm</p>	<p>#12</p>  <p>M6*10mm</p>
Caster With Lock	Caster	Screw	Back Bracket	Screw	Bolt
2 PCS	3 PCS	20 PCS (Extra 2)	18 PCS (Extra 2)	49 PCS (Extra 5)	4 PCS (Extra 1)
<p>#13</p>  <p>310*60*Ø10mm</p>	<p>#14</p>  <p>150*32*Ø12mm</p>	<p>#15</p>  <p>M4*20mm</p>	<p>#16</p>  <p>M5*20mm</p>	<p>#17</p>  <p>4mm</p>	
Towel Bar	Handle	Round Head Bolt	Bolt	Allen Wrench	
1 PC	3 PCS	6 PCS (Extra 1)	2 PCS	1 PC	
<p>#18</p>  <p>45*17*12mm</p>	<p>#19</p>  <p>30*22*1mm</p>	<p>#20</p>  <p>76*48*1mm</p>	<p>#21</p>  <p>330*31*31mm</p>	<p>#22</p>  <p>170*64*21.5mm</p>	
Single Door Magnet	Door Small Plate	Top Hinge	Support Rail	Slipper Guide	
2 PCS	2 PCS	4 PCS	1 PC	1 PC	
<p>#23</p>  <p>DL</p> <p>12"</p>	<p>#24</p>  <p>CL</p> <p>12"</p>	<p>#25</p>  <p>DR</p> <p>12"</p>	<p>#26</p>  <p>CR</p> <p>12"</p>		
Left Drawer Slide Set (A)	Left Drawer Slide Set (B)	Right Drawer Slide Set (A)	Right Drawer Slide Set (B)	Phillips Screwdriver	Center Axis (Extra)
1 PC	1 PC	1 PC	1 PC	1 PC	2 PCS

ASSEMBLY OVERVIEW



Instructions For Fastening CAM-BOLT and CAM-LOCK

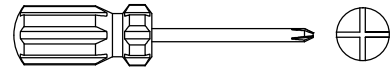


CAM-BOLT

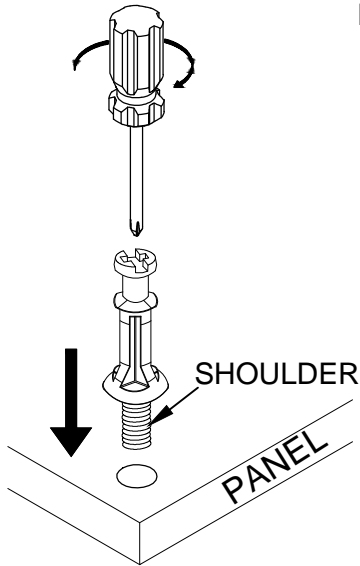


CAM-LOCK

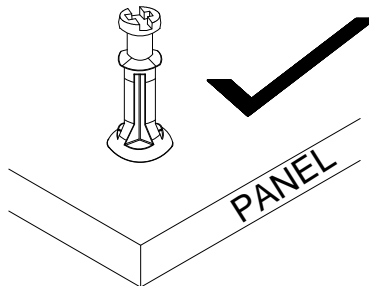
Tools Required



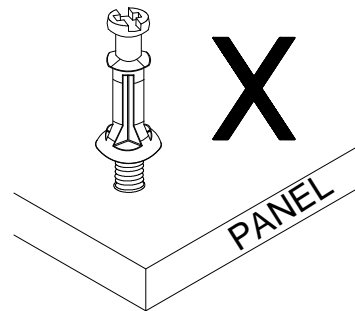
INSERTING AND TIGHTENING CAM-BOLT



Place Cam-bolt on pre-drilled hole and screw in vertically



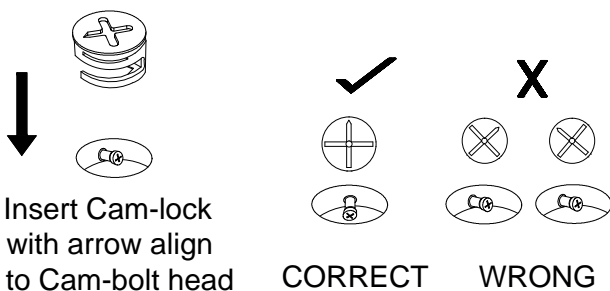
Shoulder is flushed (on the same level) with the panel.



Shoulder is above the panel.

Place Cam-bolt on the designated pre-drilled holes on the panel. Use a Phillips Screwdriver to screw-in Cam-bolt vertically until shoulder is flushed (on the same level) with panel.

INSERTING CAM-LOCK



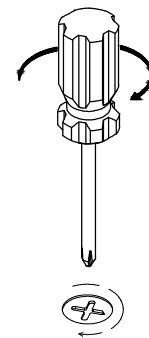
Insert Cam-lock with arrow align to Cam-bolt head

CORRECT

WRONG

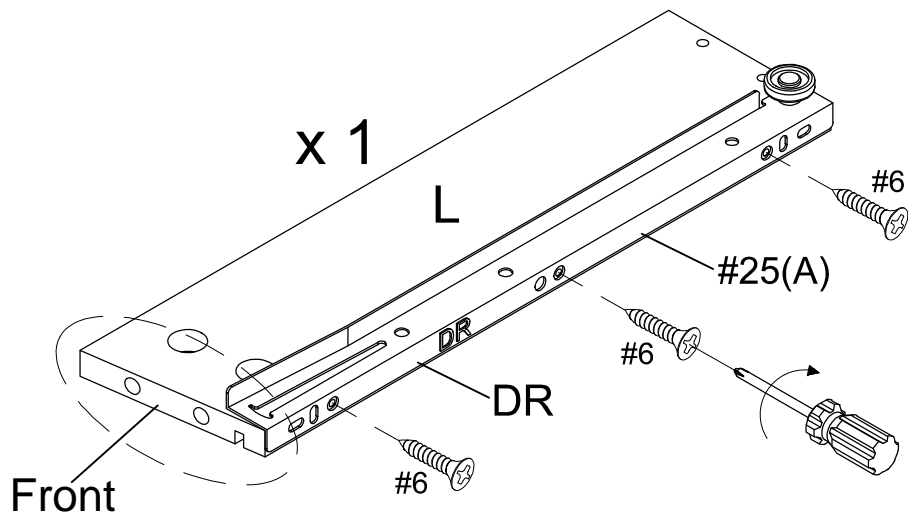
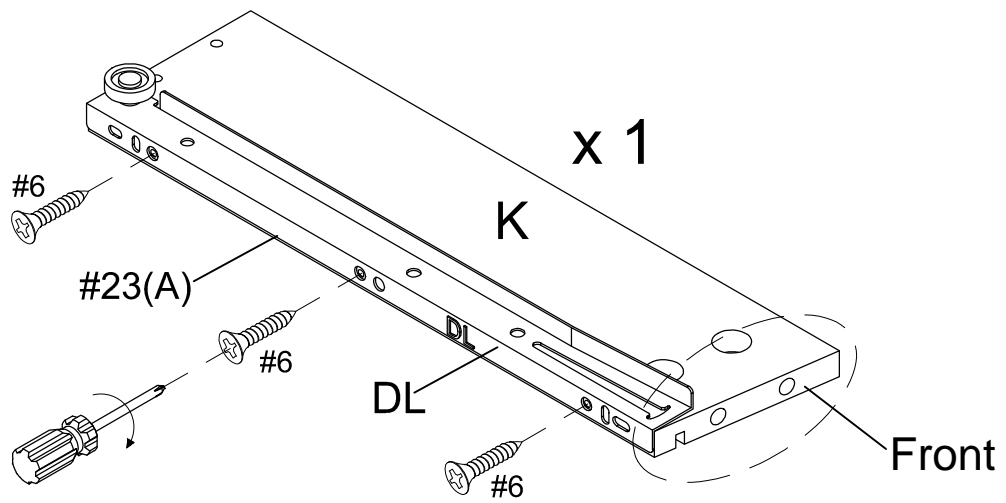
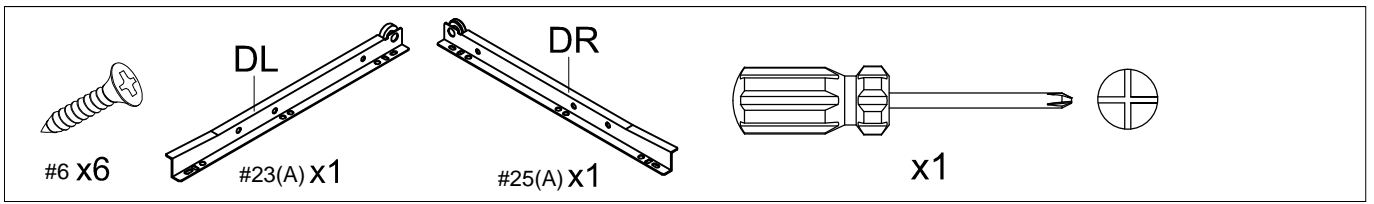
Align the arrow on the Cam-lock to the Cam-bolt head and insert the Cam-lock. Ensure Cam-lock is fully inserted.

TIGHTENING CAM-LOCK

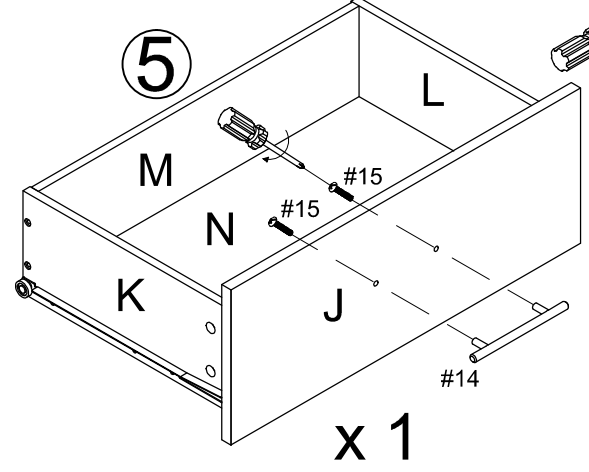
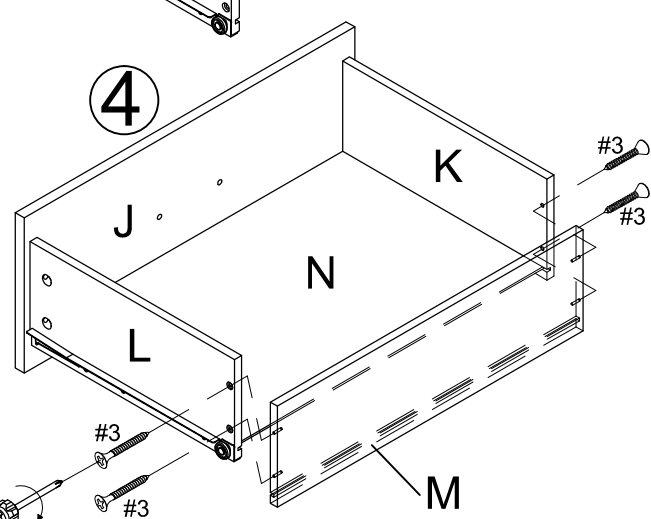
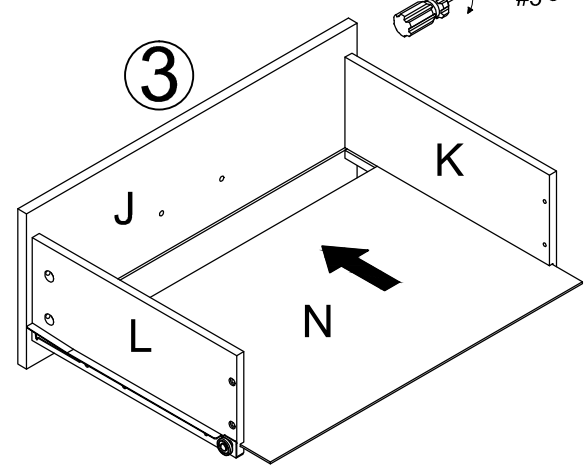
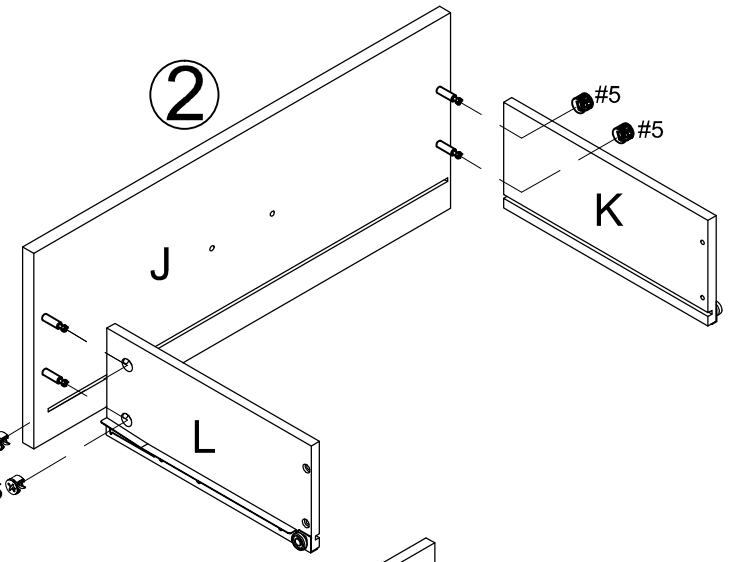
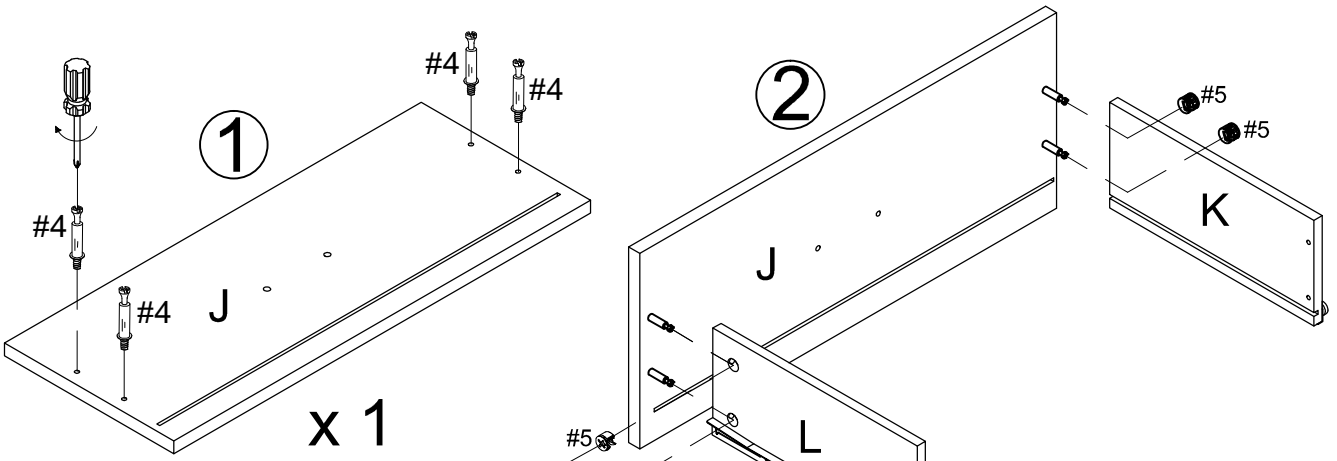
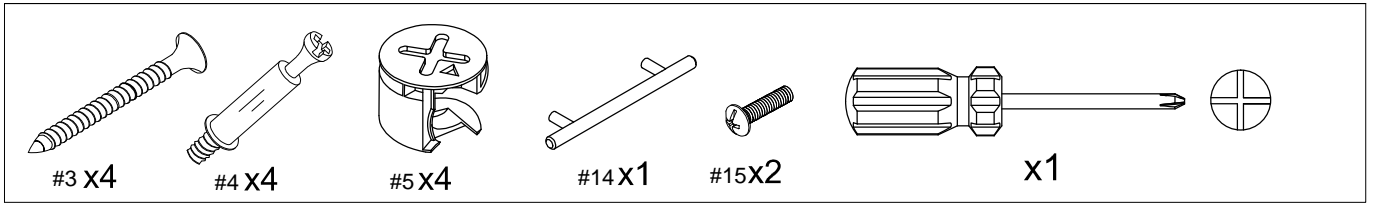


Use a Flat-head Screwdriver to turn Camlock clockwise so it locks onto the head of the Cam-bolt. Turn until it is snug (about 3/4ths of a turn) -- over-tightening could damage Cam-lock or/and Cam-bolt.

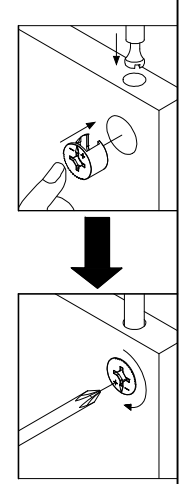
Step 1.



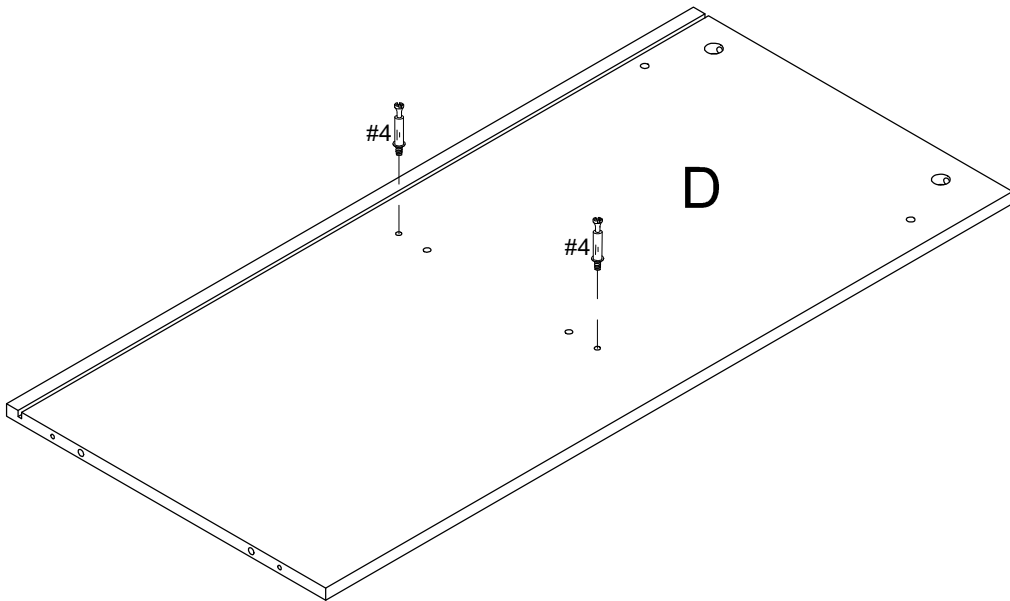
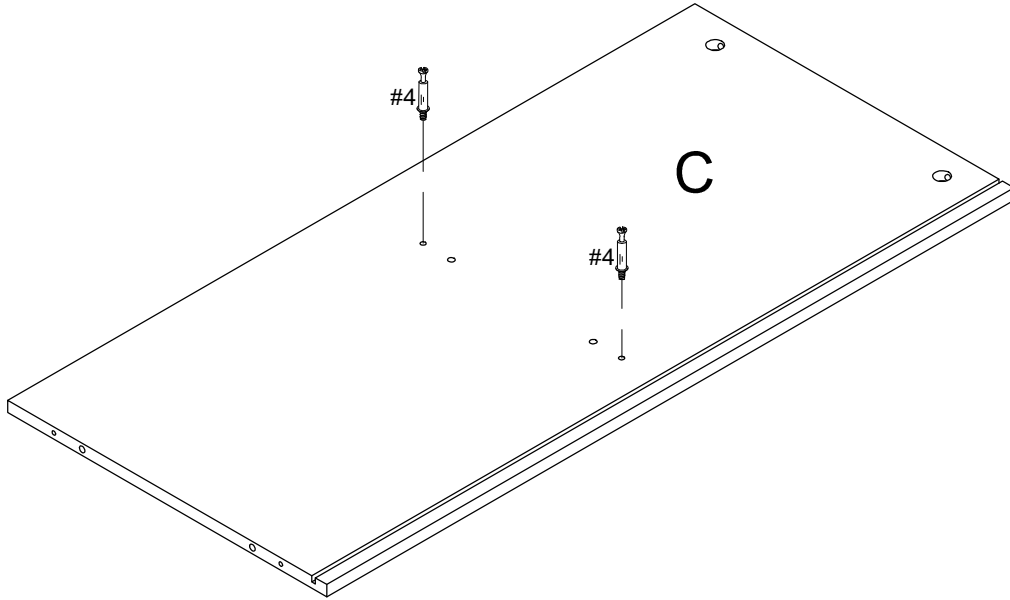
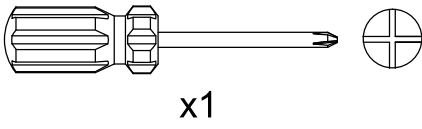
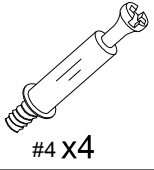
Step 2.



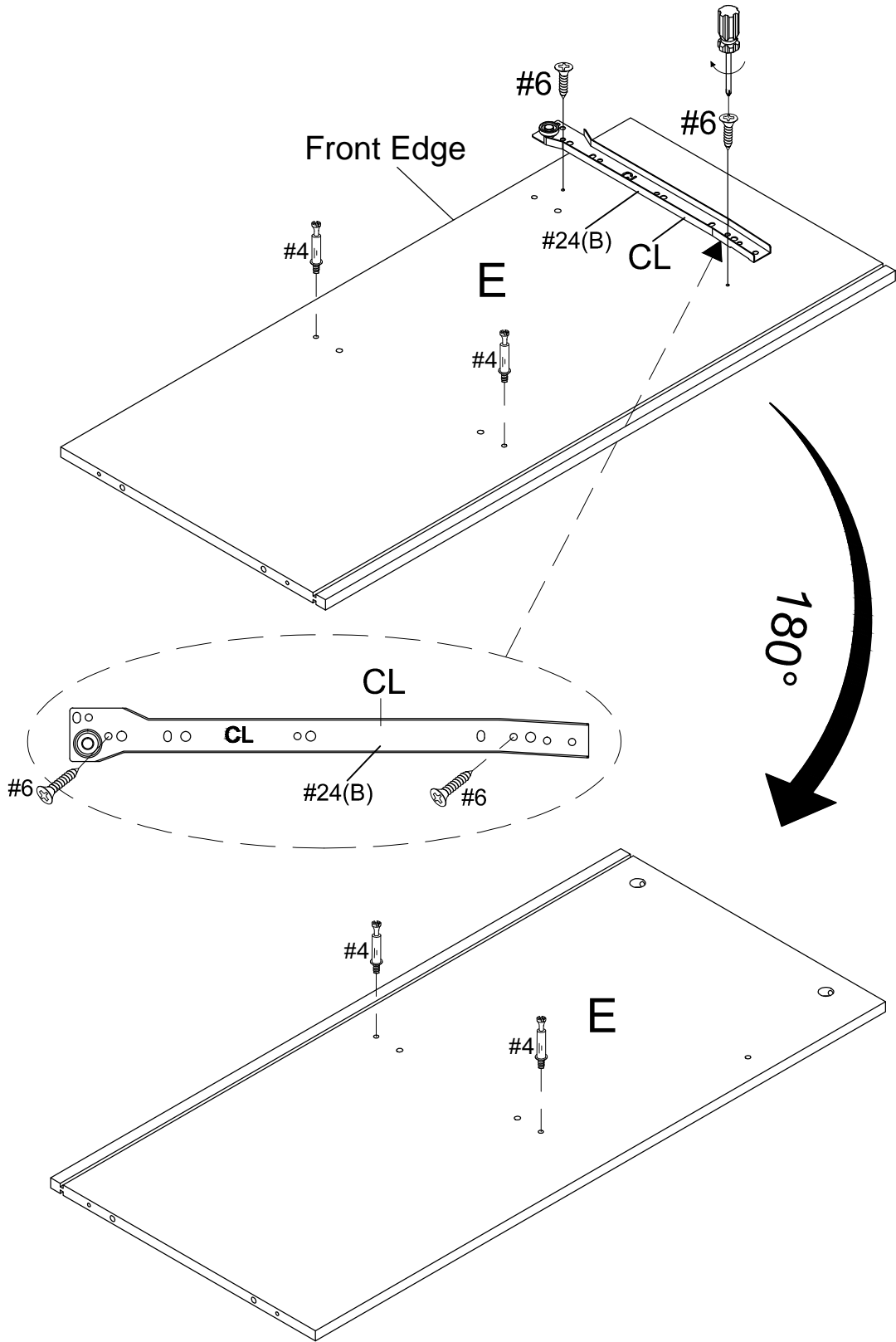
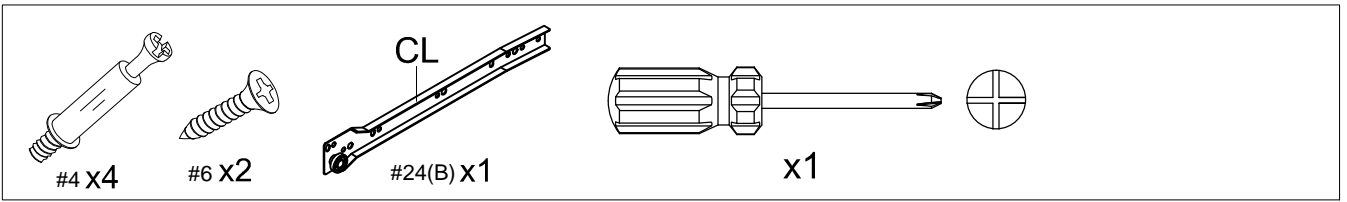
Note: Tighten #5 or it will cause wobble.



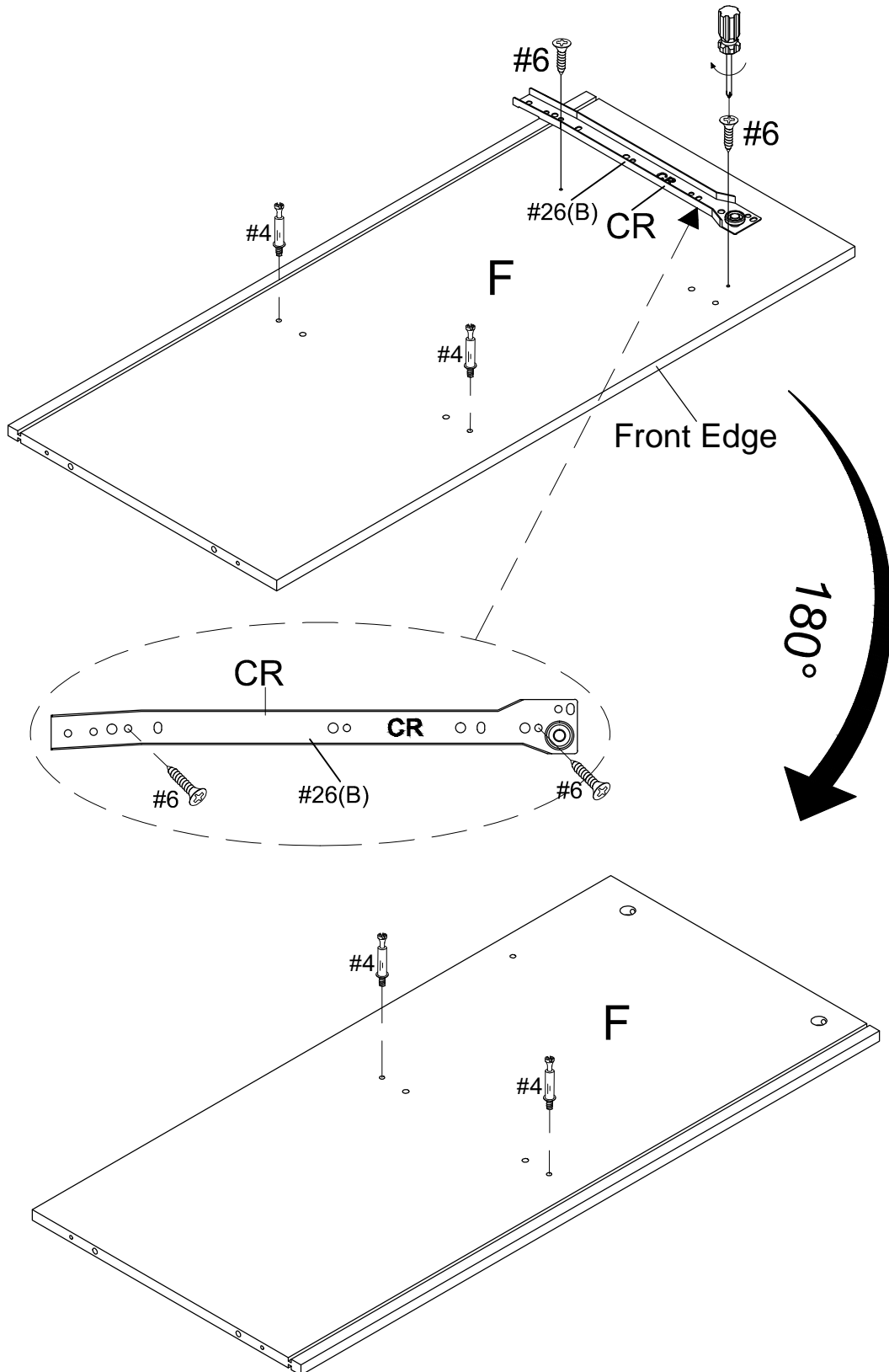
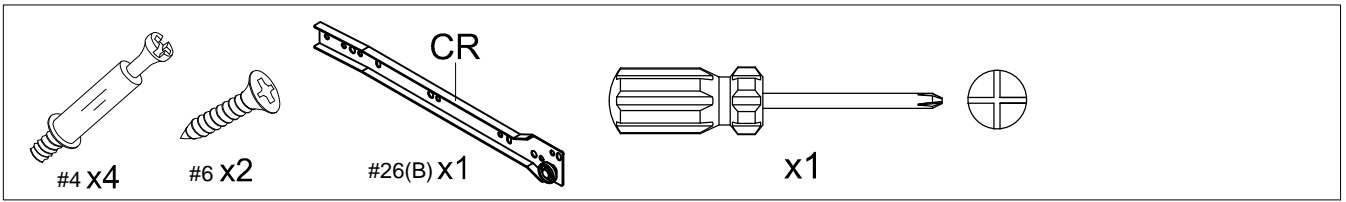
Step 3.



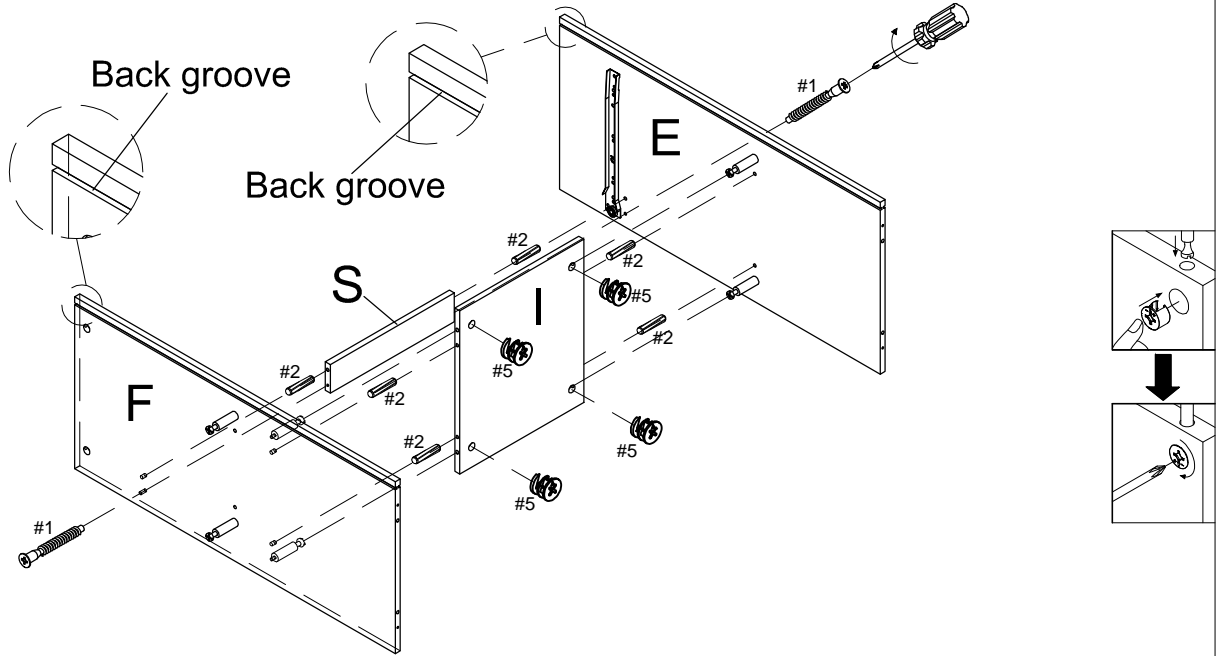
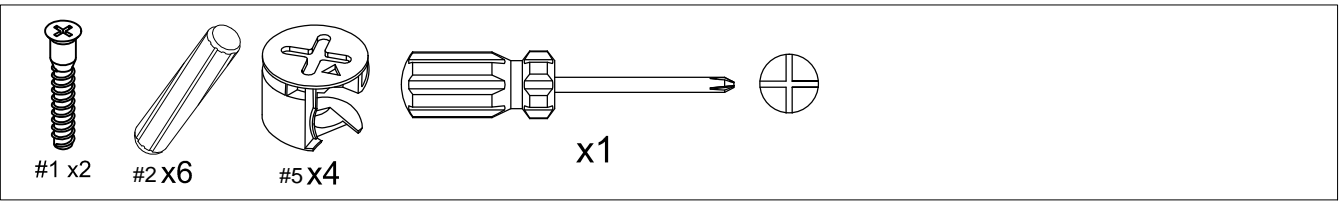
Step 4.



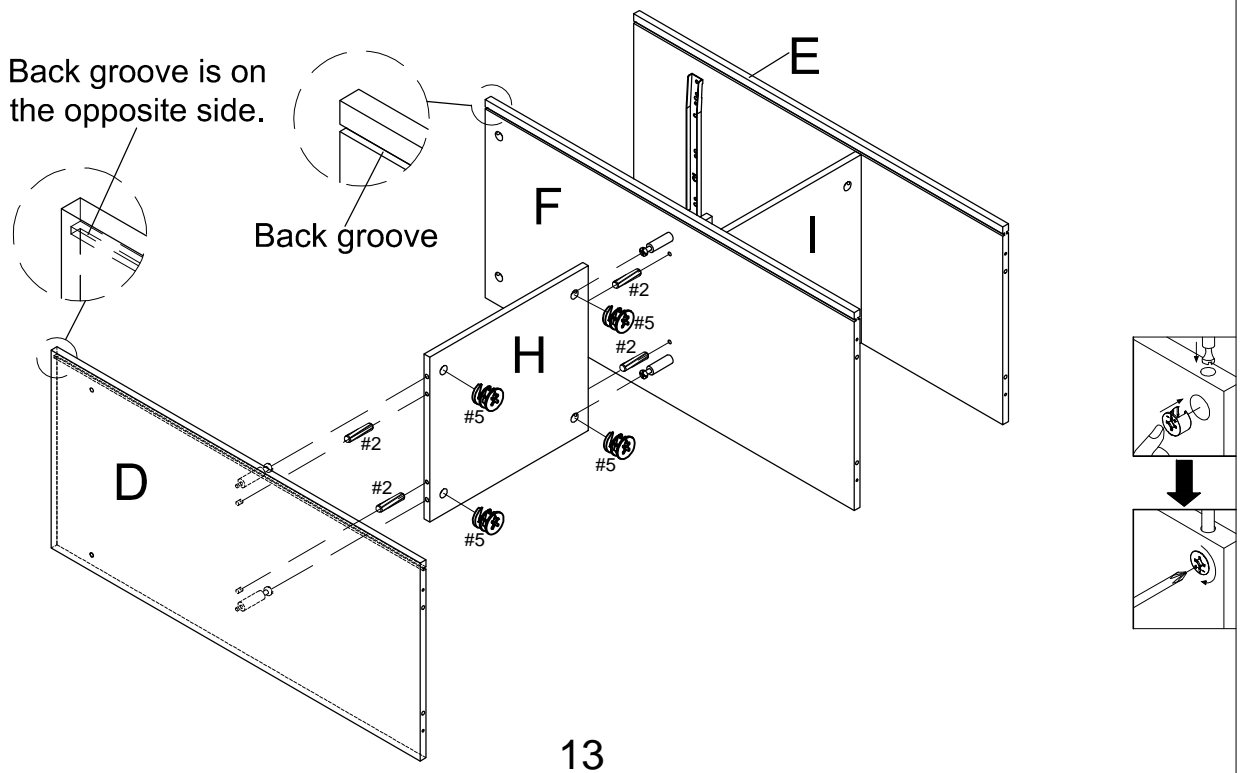
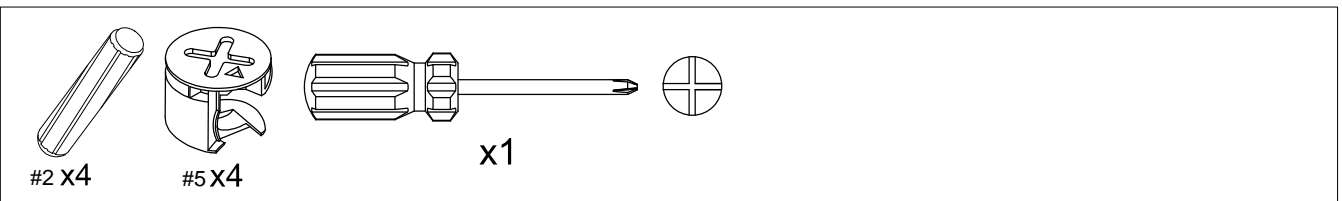
Step 5.



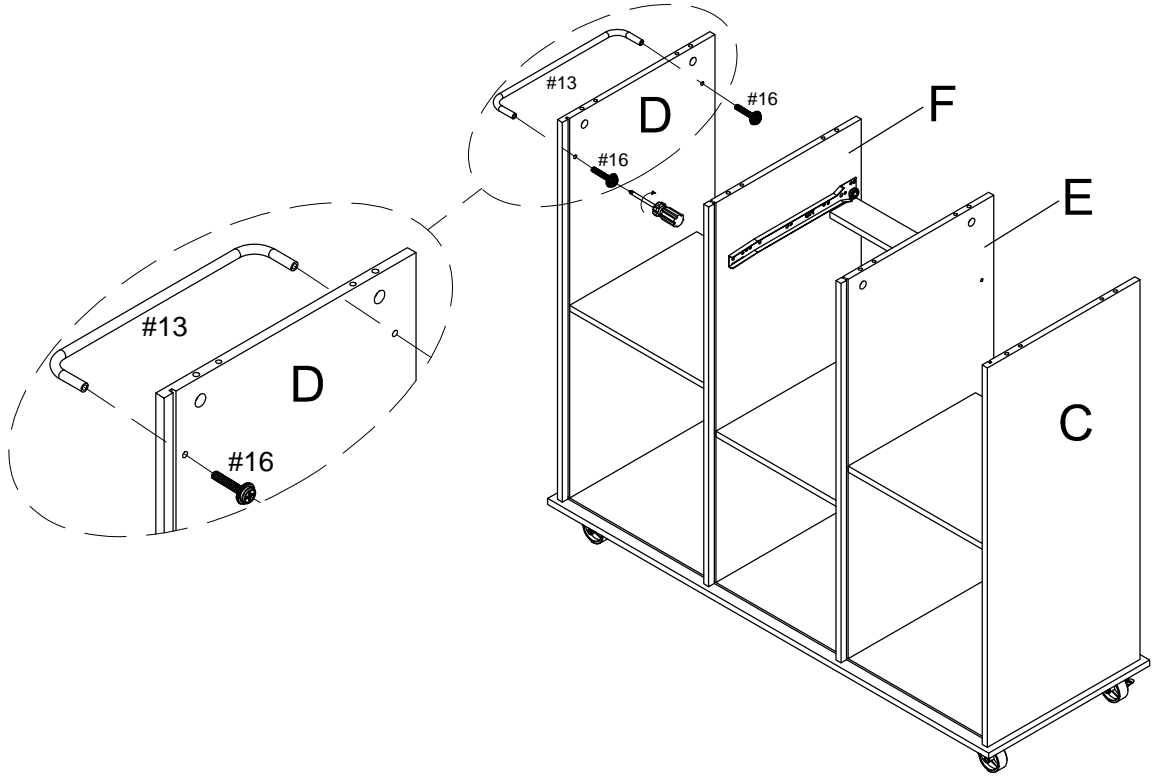
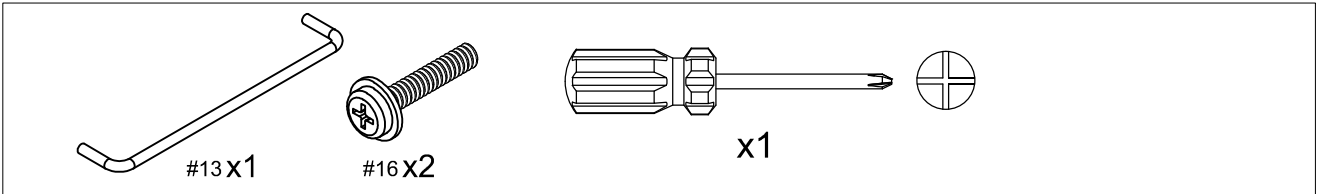
Step 10.



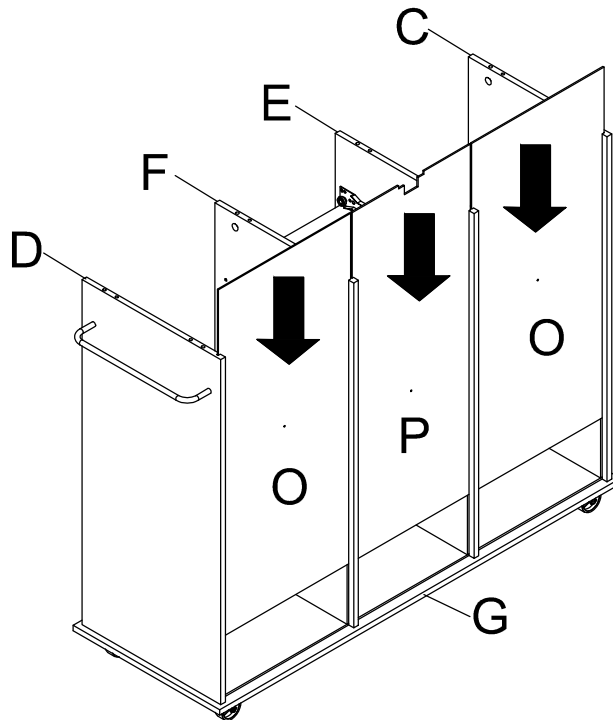
Step 11.



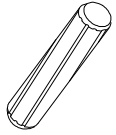
Step 14.



Step 15.



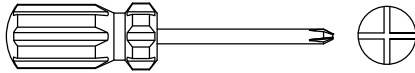
Step 16.



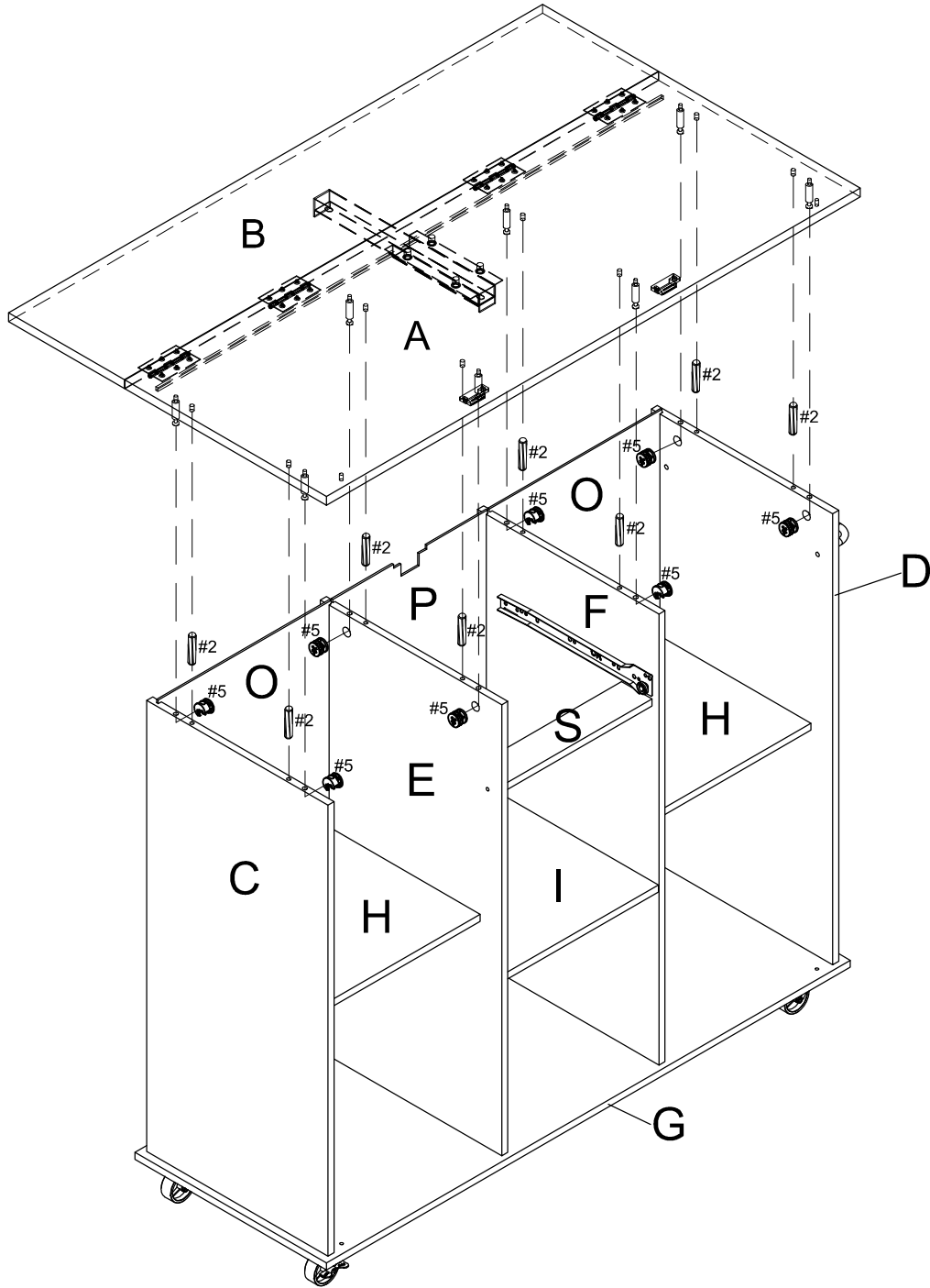
#2 x8



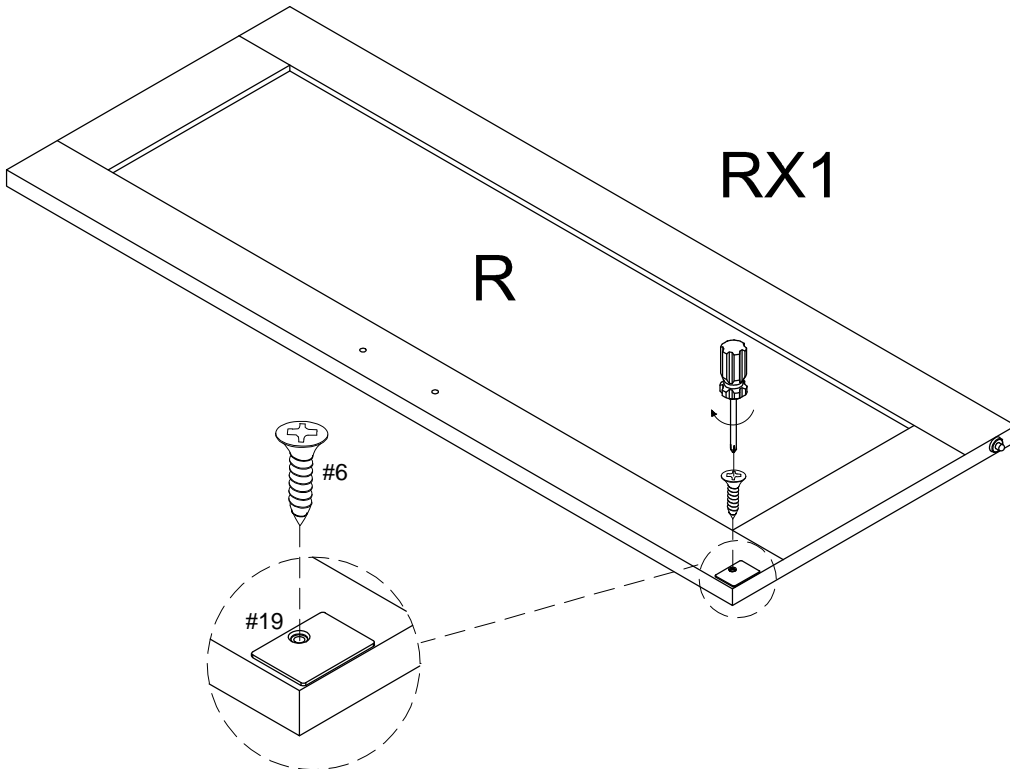
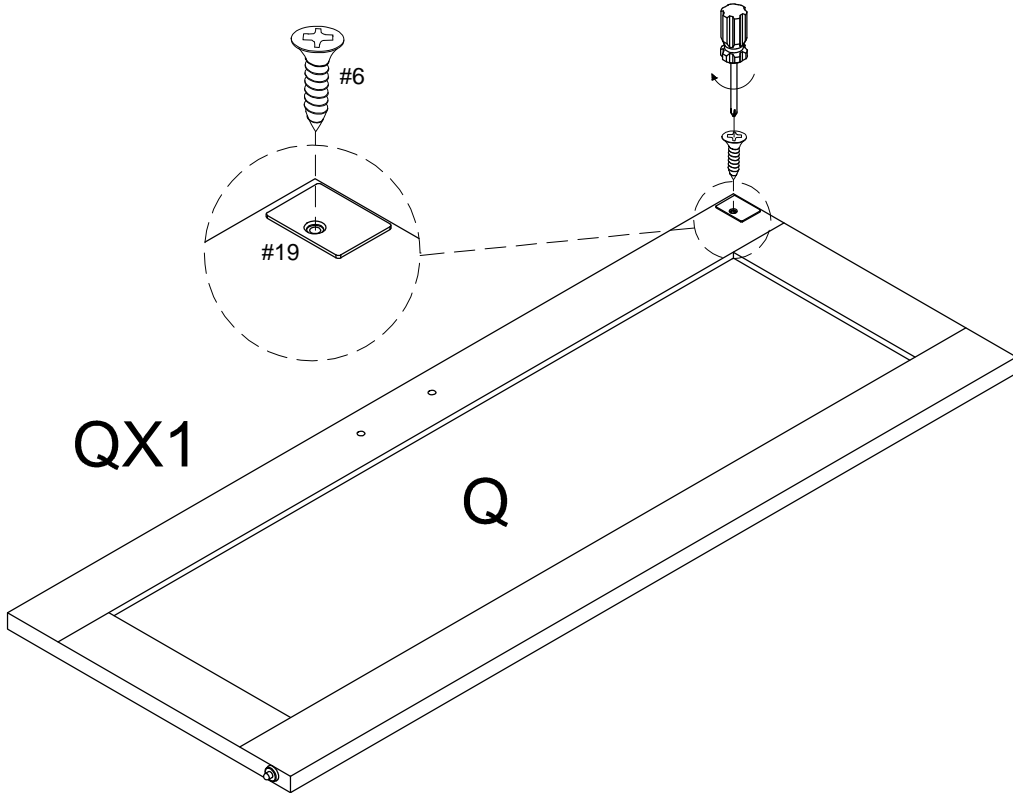
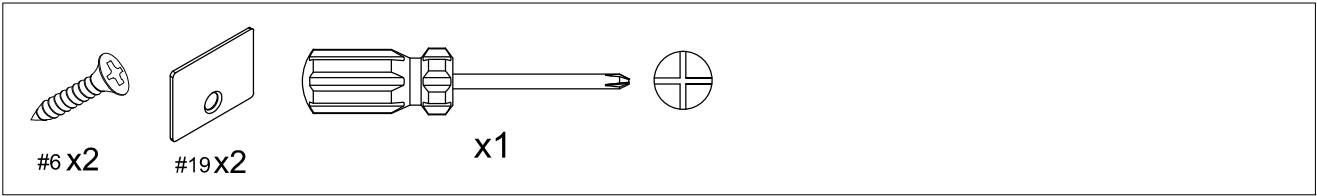
#5 x8



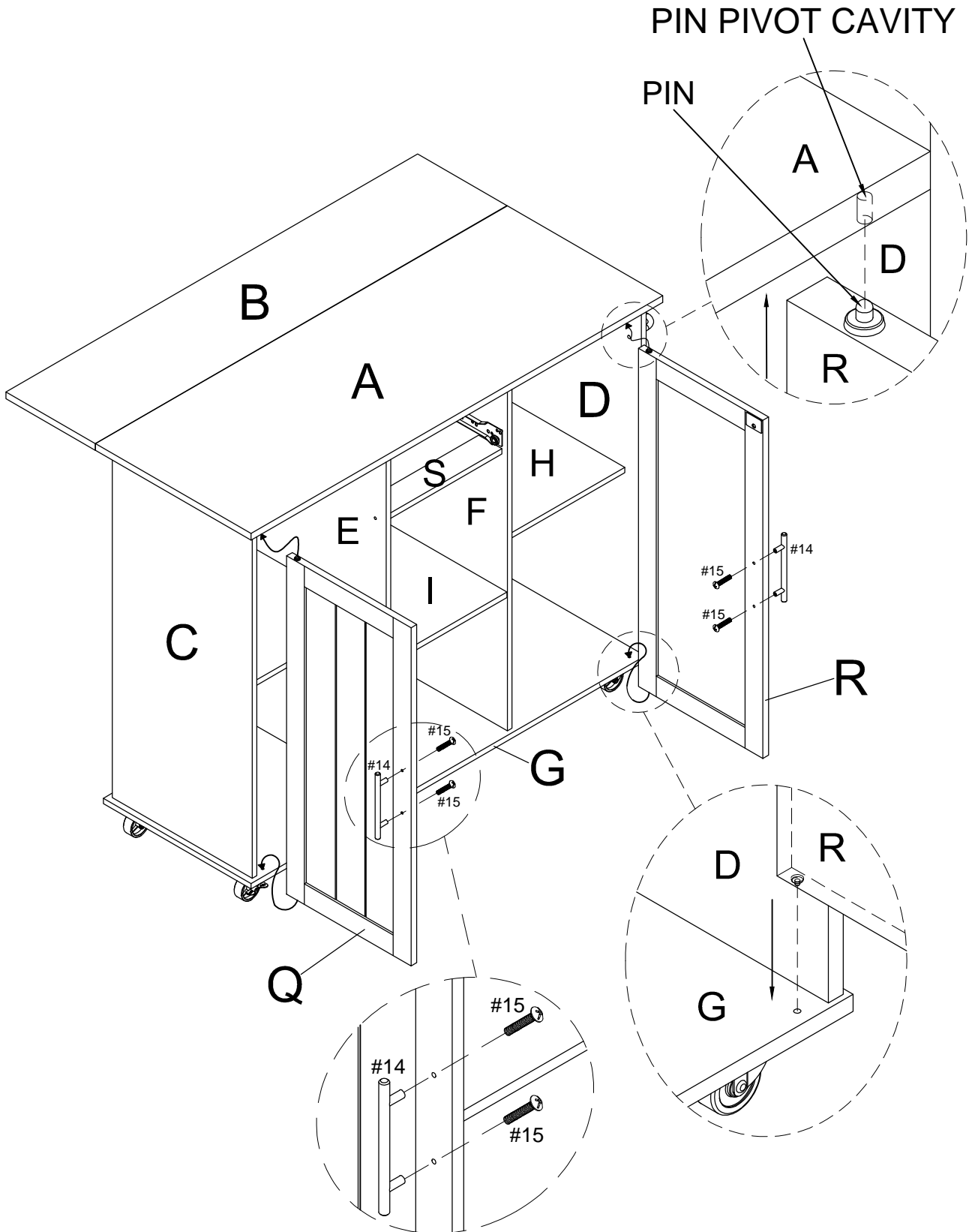
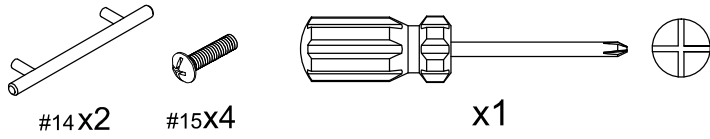
x1



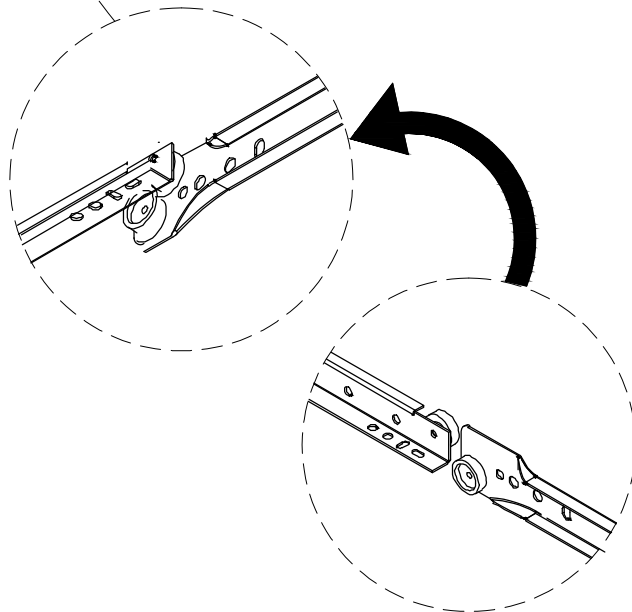
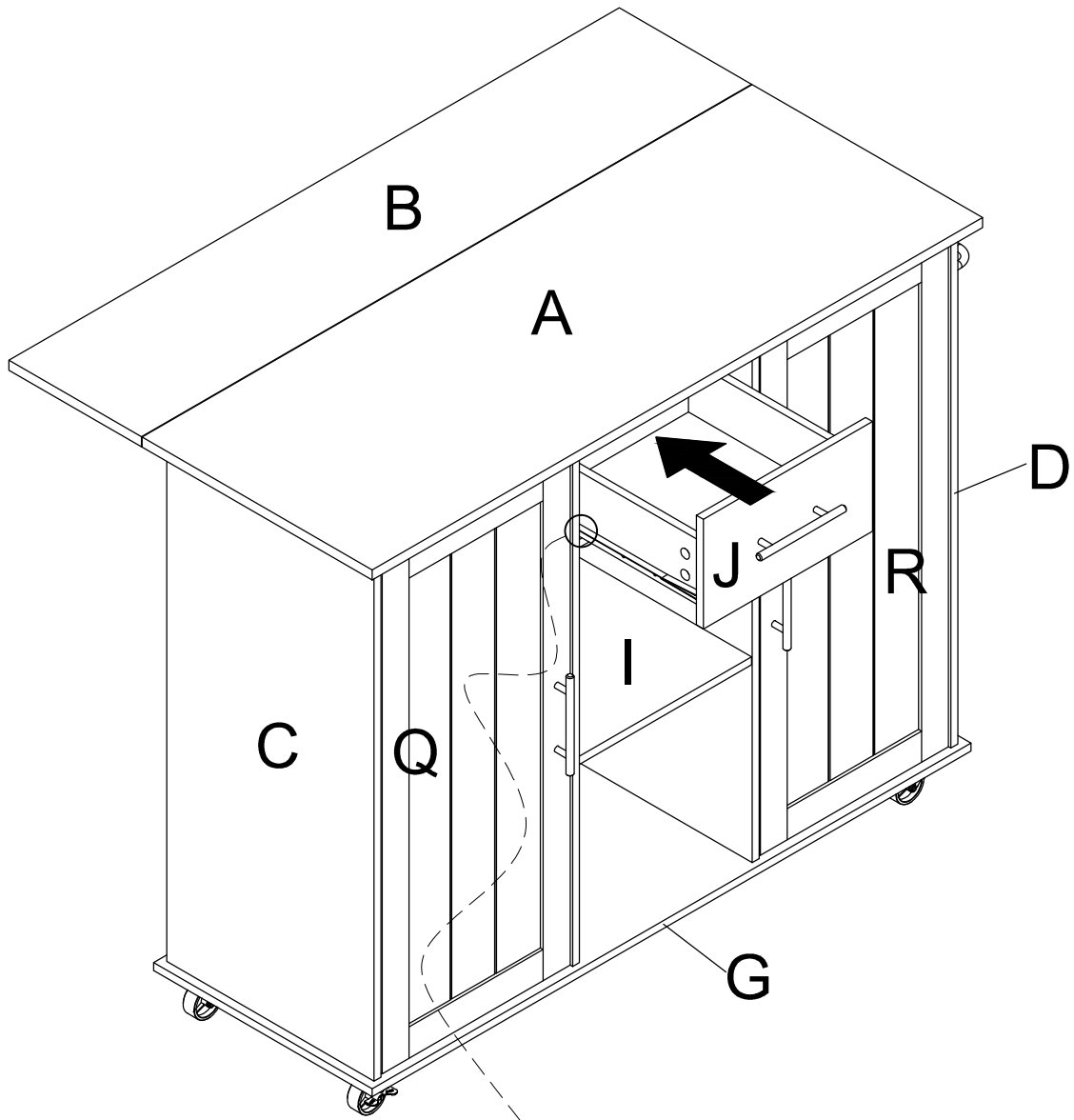
Step 17.



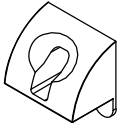
Step 18.



Step 19.



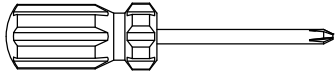
Step 20.



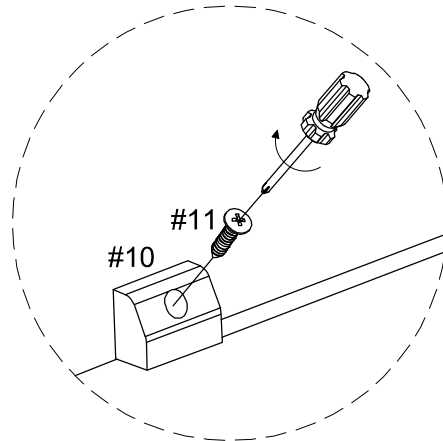
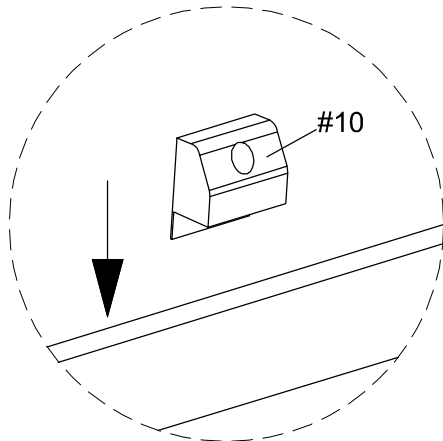
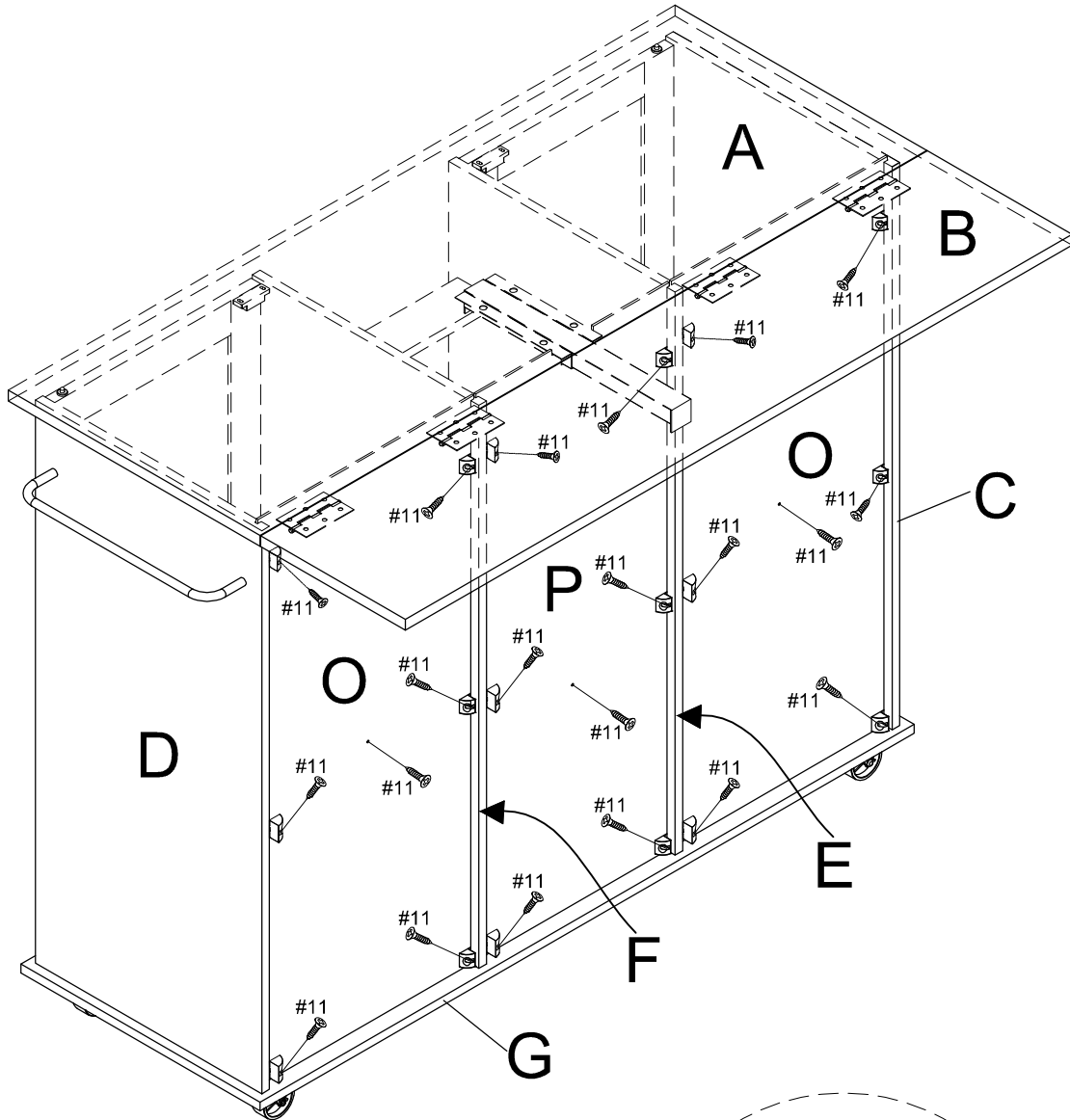
#10 x18



#11x21



x1



Warning:

Seller is responsible for the product-related issues occurred upon receipt, but will not be responsible for the personal injury, property damage or loss resulting from the incorrect assembly, improper use, inadequate maintenance or neglect of this product.

Notes:

1. ASSEMBLY PREPARATION AND TIPS FOR ASSEMBLY

- 1). Remove all packaging materials, staples and packing straps from the carton.
- 2). Refer to Parts List and Hardware List, and ensure parts and hardware are correct before assembly.
Contact customer service for missing parts.
- 3). Place all wooden parts on a clean, flat and soft surface (e.g. carpet or rug) to prevent scratch and damage to parts.
- 4). Allow ample room for assembly and assemble the product near where the product will be placed.
- 5). During assembly, do not over-tighten any fittings as this may cause damage.
- 6). Always place the product on a flat, level surface.

2. CARE AND MAINTENANCE

- 1). KEEP ALL HARDWARE PARTS OUT OF REACH OF CHILDREN.
- 2). Wipe clean with a soft, dry cloth; avoid the use of harsh chemicals or household cleaners as they may damage the exterior finish of the furniture.
- 3). Hardware may loosen over time. Periodically, check that all connections are tight; re-tighten as necessary.

3. TIPS TO PROTECT & CARE FOR YOUR FURNITURE

- 1). Avoid placing your furniture in direct sunlight, as sunlight causes fading.
- 2). Use a protective pad when writing on the furniture surface.
- 3). Use cutting boards and trivets for food preparation in order to avoid damaging the top for the unit.