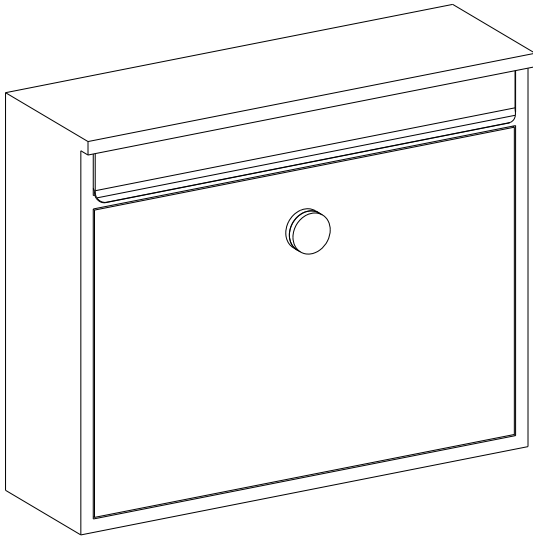


MB02

User Manual



General Guidelines

- Please read the following instruction carefully and use the product accordingly.
- Please keep this manual and hand it over when you transfer the product.
- This summary may not include every detail of all variations and considered steps. Please contact us when further information and help are needed.

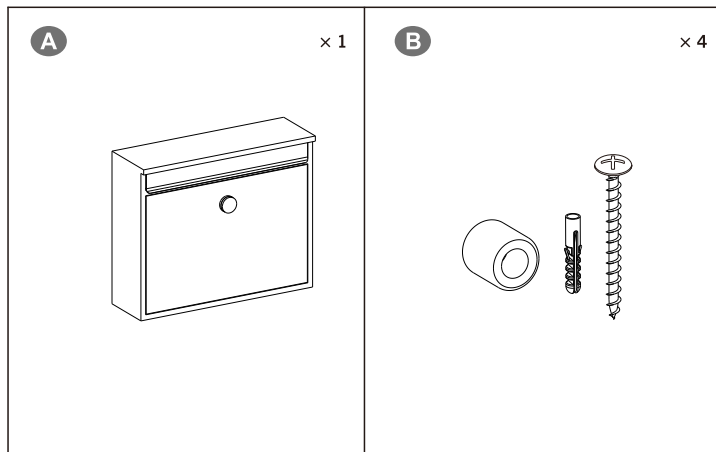
Notes

- The mounting accessories included are for strong masonry.
- Please check before the installation of the mailbox if it's the right installation material for your masonry.
- As construction materials vary, you may need to consult a professional from local hardware store for the most suitable way to fix your product to the wall.
- Change the accessories if necessary.
 1. Choose the right position for your mailbox.
 2. Mark the holes for mounting the mailbox onto the masonry. Make sure the mailbox is level.
 3. Select the appropriate drill bit. We recommend a 6.5-7 mm drill bit for fitting the attached mounting accessories
 4. Use a hammer to tap the dowels into the pre-drilled holes until they are completely inside the hole.
 5. Install the mailbox onto the masonry. Use the rubber stoppers to get a distance between the mailbox and masonry.
 6. Considering varying climates of different regions, SONGMICS recommends you install or place it in a weather-protected location with the accessories, ensuring your mailbox remains in good condition for a long time.

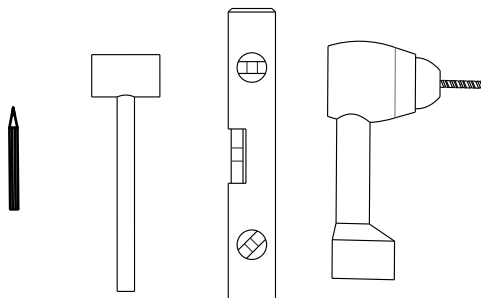
Warnings

- Pay attention to sharp accessories to prevent personal injury.
- Keep children away from the work area during assembly. Most screws and other small parts in the product accessories may be fatal if swallowed or inhaled.
- To avoid potential danger of suffocation, keep all parts and packaging (films, plastic bags and foam, etc.) away from babies and children.

2

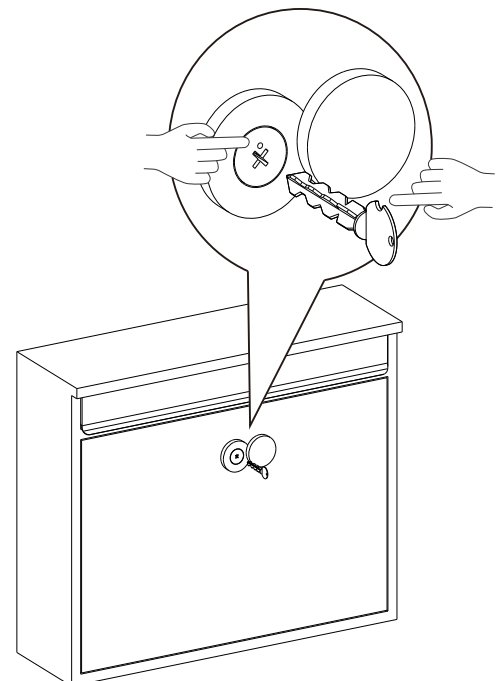


Tools required:



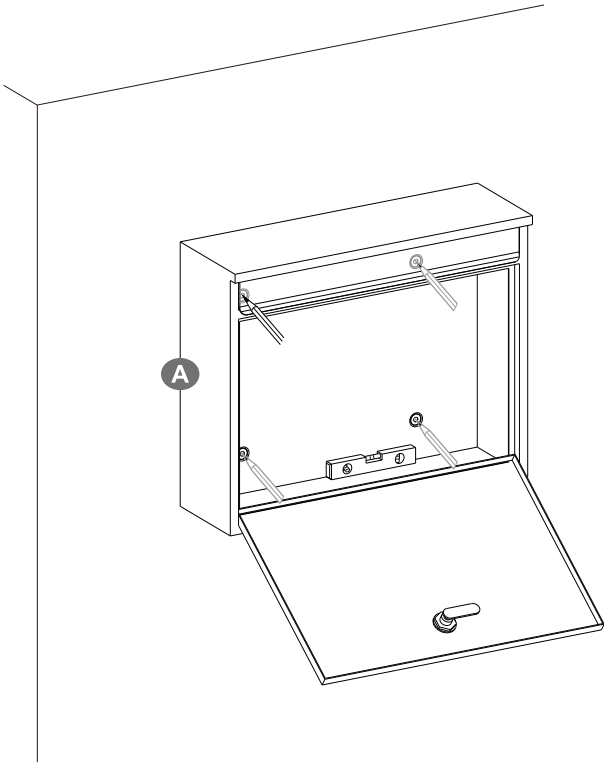
3

1



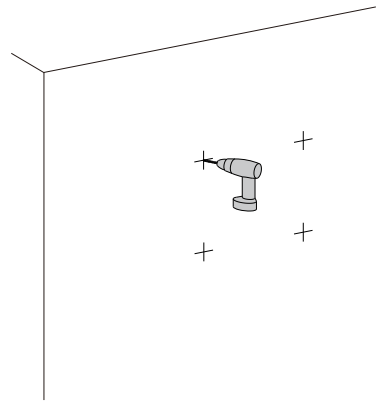
4

2

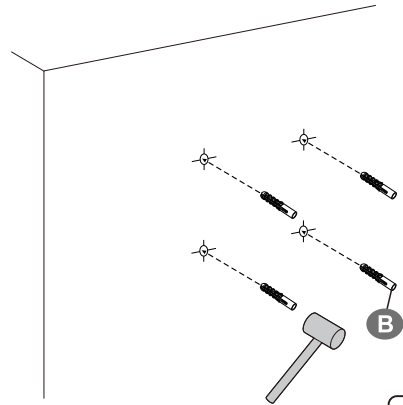



5

3



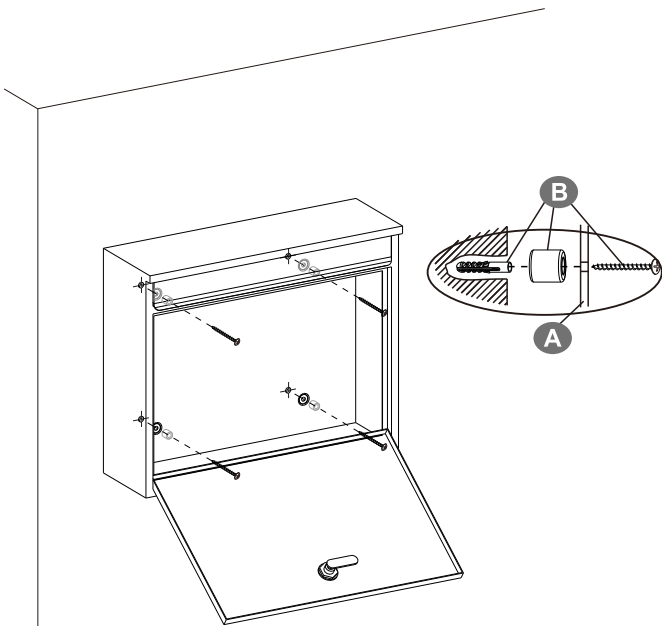
4





B  4PCS

6

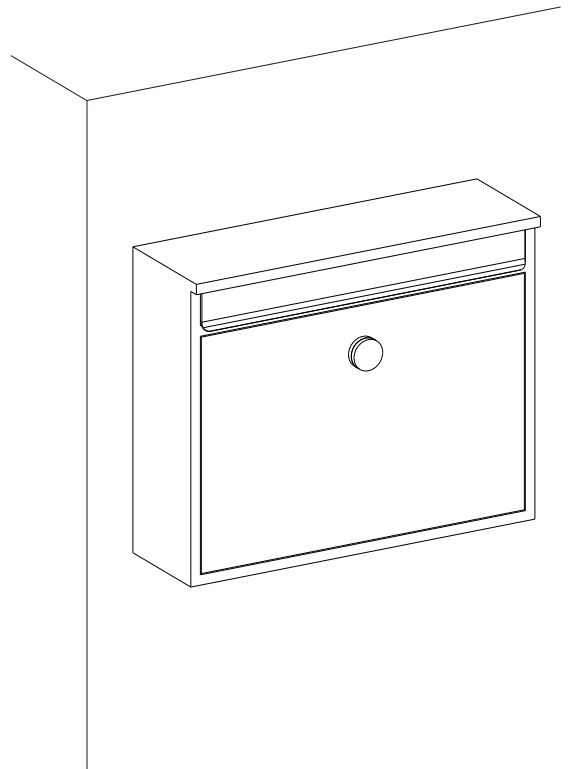
5



B   4PCS

7

6



8