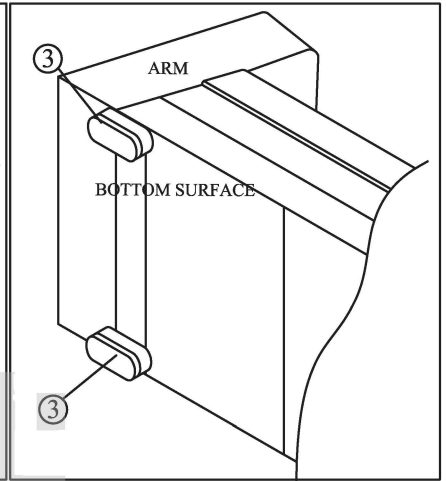
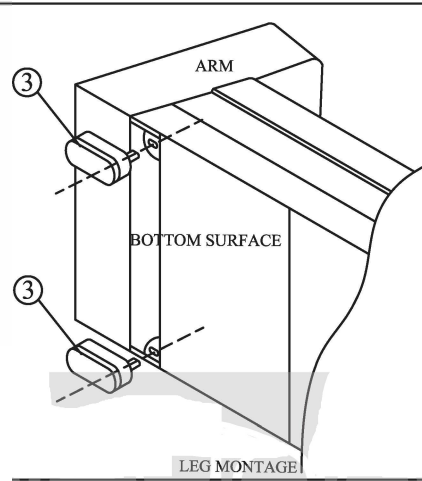
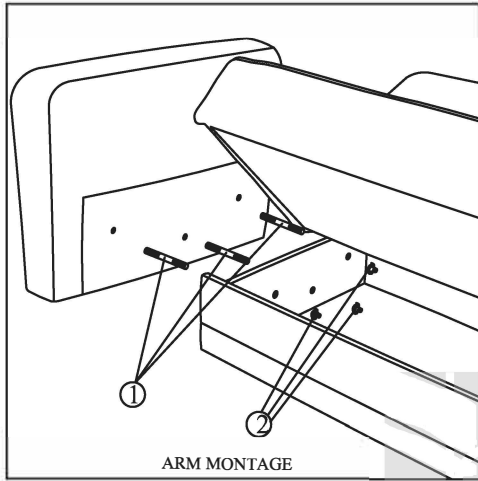


ASSEMBLING GUIDE

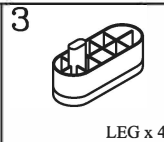
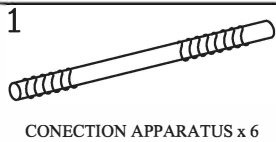


A-ARM ASSEMBLING

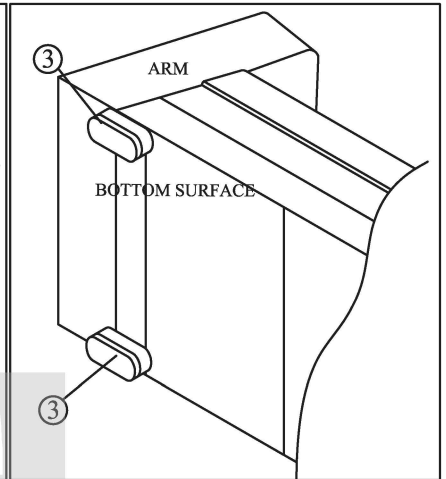
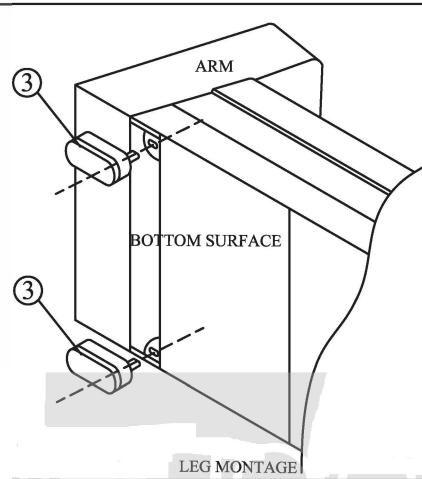
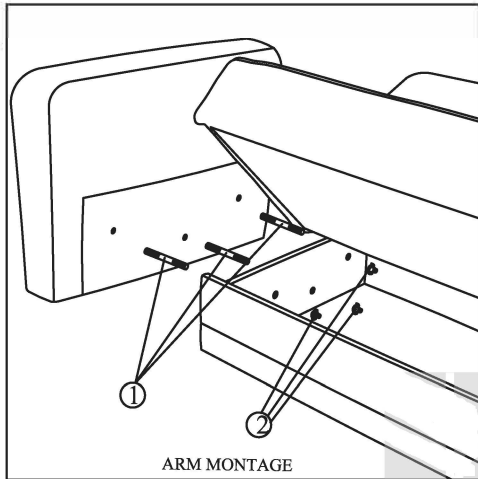
- A-) PUT THE CONNECTION APARTE (1) IN TO THE ARMS
- B-) PLACE THE ARMS NEAR TO THE BOX
- C-) FIX THE ARMS TO THE BOX BY USING WING NUT (2)

B - LEG ASSEMBLING

- A-) PLACE THE SOFA ON ITS BACKSIDE
- B-) ASSEMBLE THE LEG (3) TO THE BOTTOM HOLE



ASSEMBLING GUIDE



A-ARM ASSEMBLING

- A-) PUT THE CONNECTION APARTE (1) IN TO THE ARMS
- B-) PLACE THE ARMS NEAR TO THE BOX
- C-) FIX THE ARMS TO THE BOX BY USING WING NUT (2)

B - LEG ASSEMBLING

- A-) PLACE THE SOFA ON ITS BACKSIDE
- B-) ASSEMBLE THE LEG (3) TO THE BOTTOM HOLE

