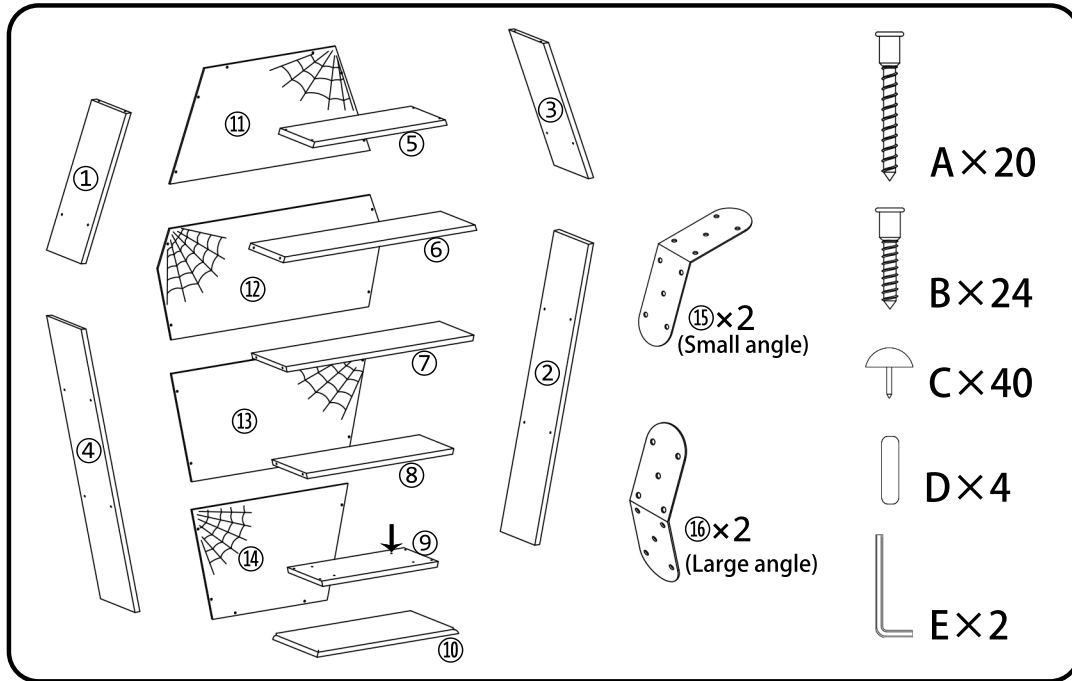
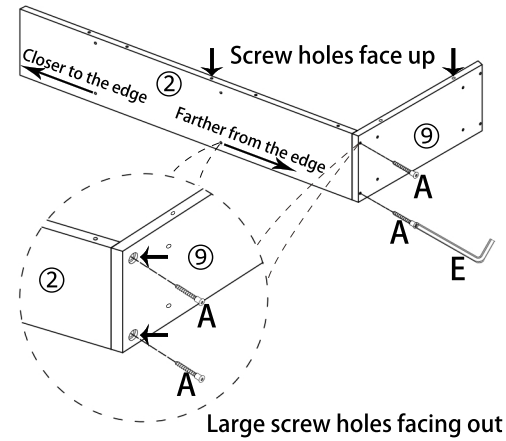


ASSEMBLY INSTRUCTION



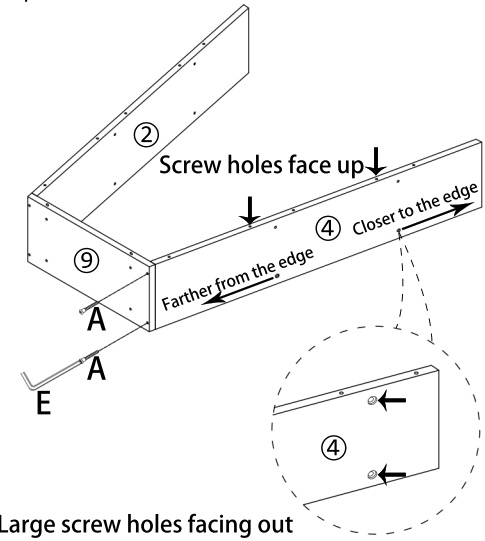
Installation Steps

Step3



Screw parts ② ⑨ together with screwdriver E.

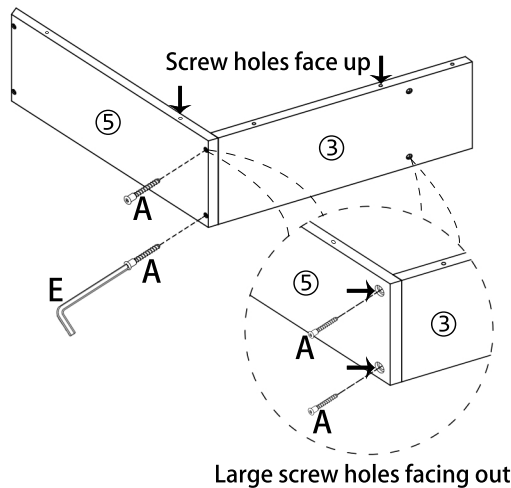
Step4



Screw parts ④ ⑨ together with screwdriver E.

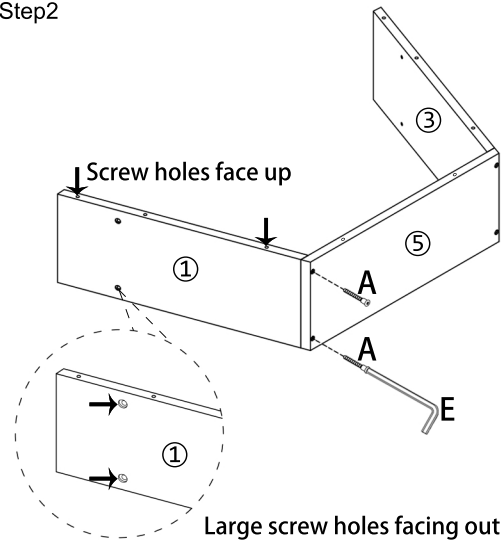
Installation Steps

Step1



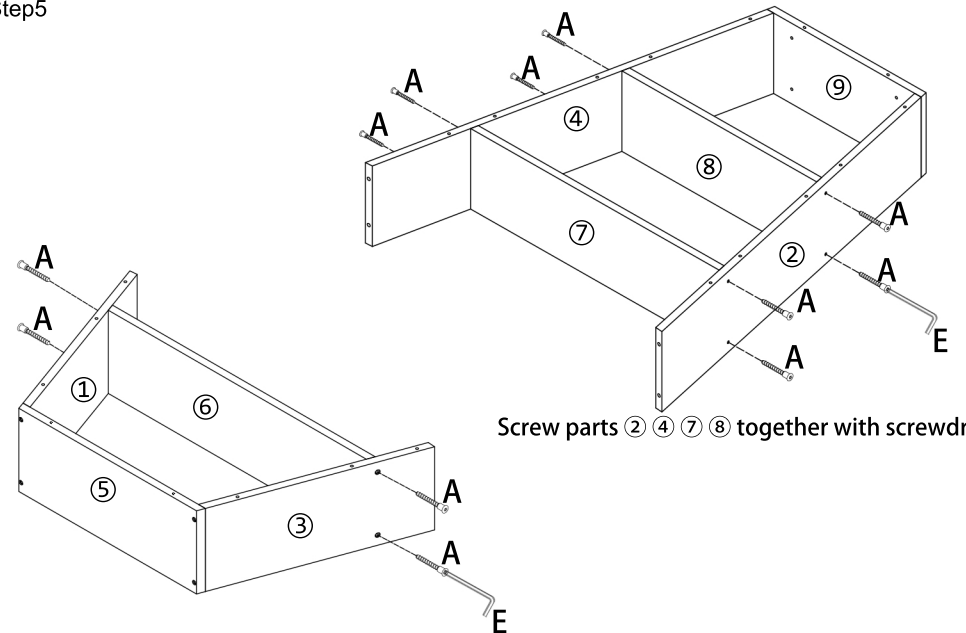
Screw parts ③ ⑤ together with screwdriver E.

Step2



Screw parts ① ⑤ together with screwdriver E.

Step5

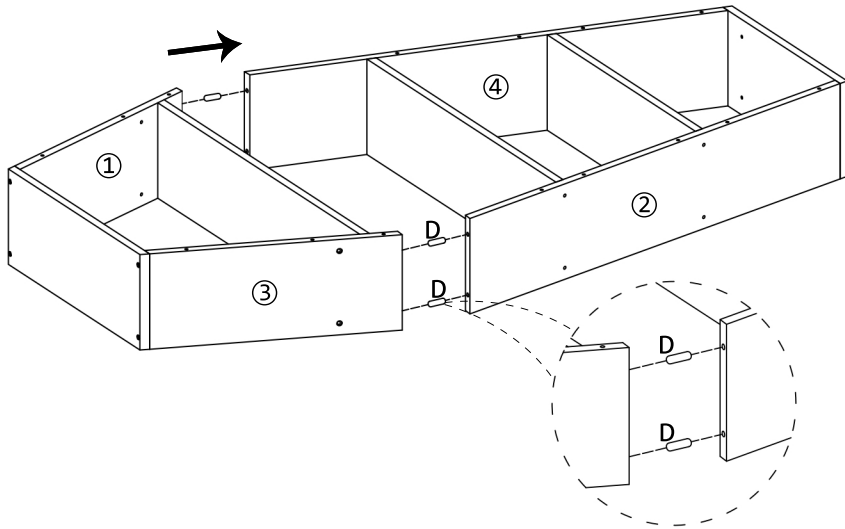


Screw parts ① ③ ⑥ together with screwdriver E.

Screw parts ② ④ ⑦ ⑧ together with screwdriver E.

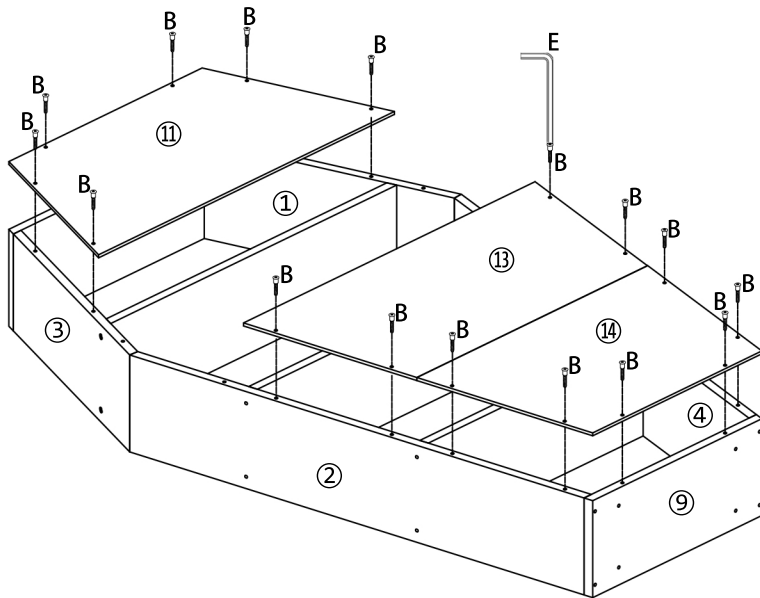
Installation Steps

Step6



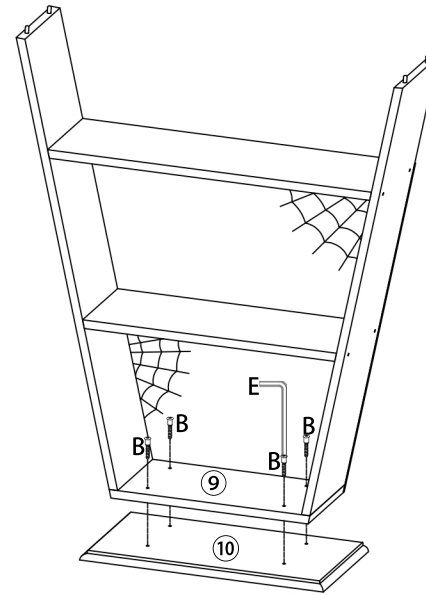
Join boards ① ④ and boards ② ③ with tenons D.

Step7



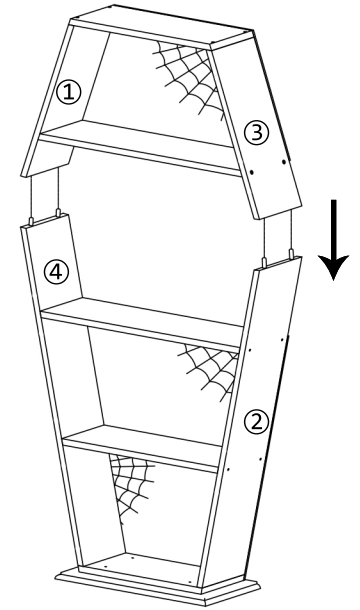
Installation of the backplane ⑪ ⑬ ⑭. (Cobweb facing inwards)

Step8



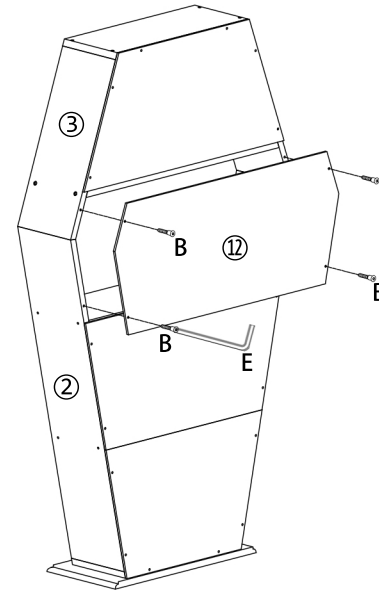
Screw parts ⑨ ⑩ together with screwdriver E.
(Temporarily dismantle the top and bottom sections for easy installation)

Step9



Join boards ① ④ and boards ② ③ with tenons D.

Step10



Installation of the backplane ⑫.
(Cobweb facing inwards)

Step11

Use a hammer to secure ⑮ ⑯ to the shelf.

