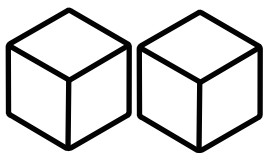
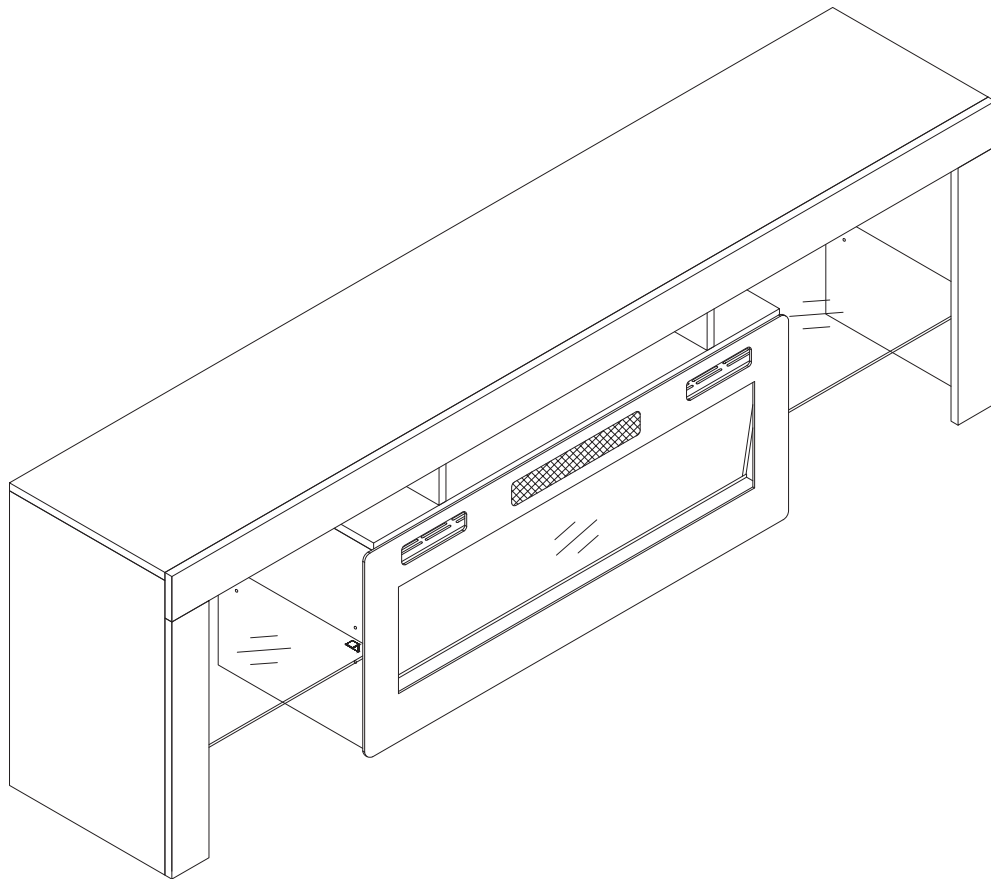


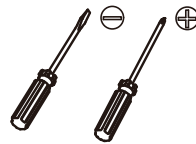
Installation & Assembly



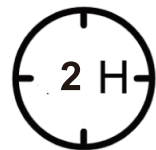
delivered in
2 separate boxes



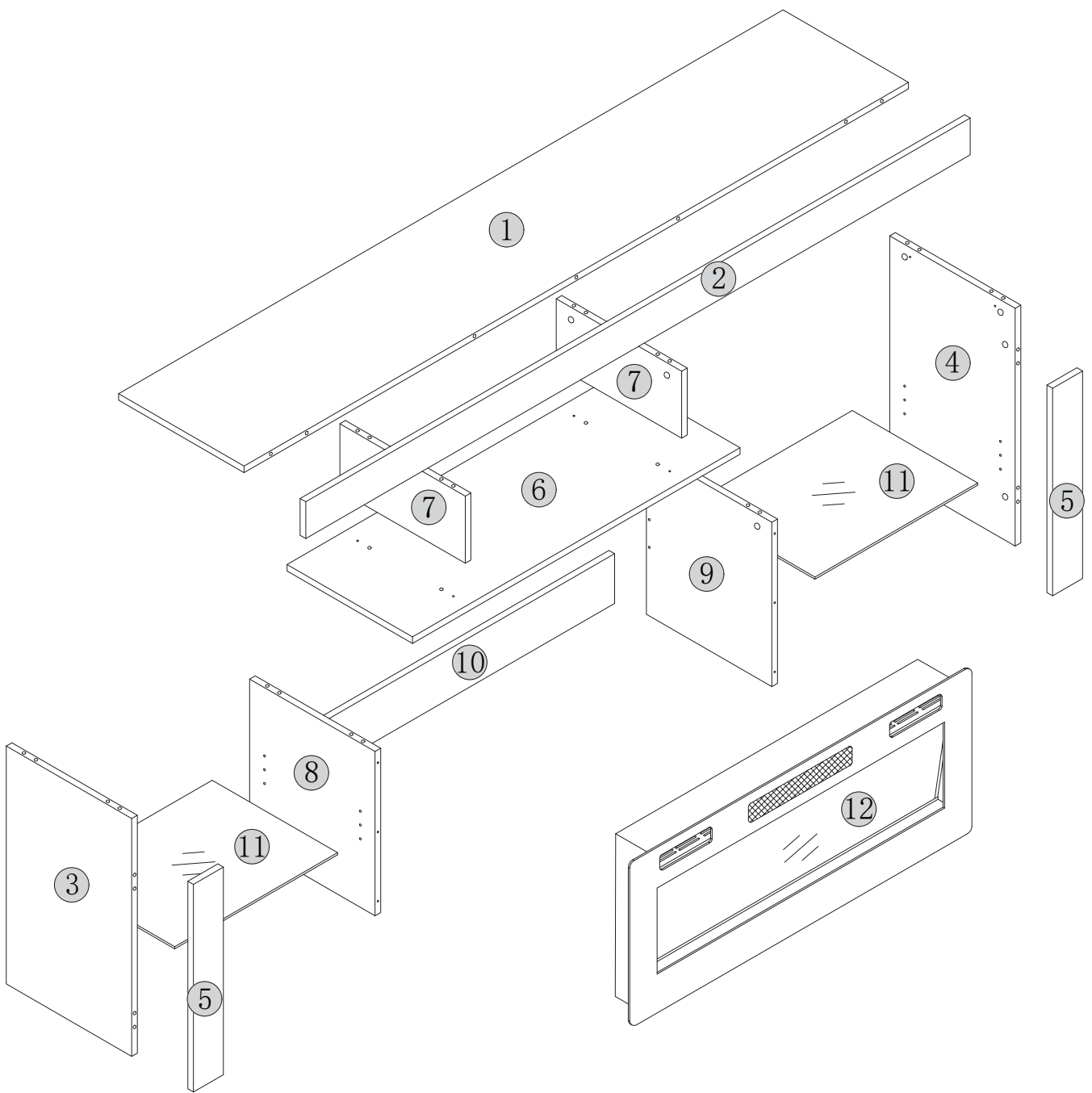
2 person



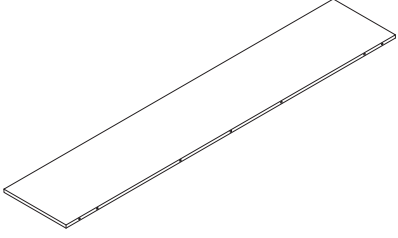
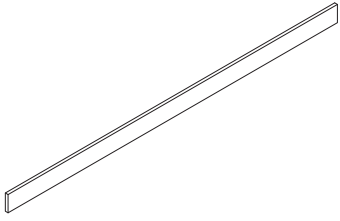
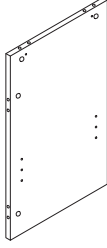
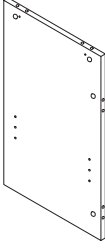

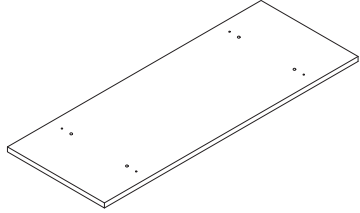
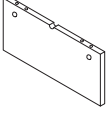
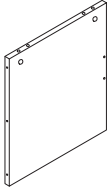
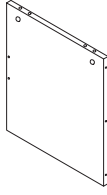
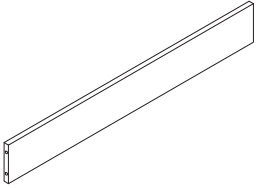
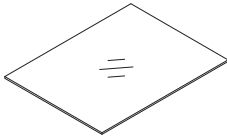
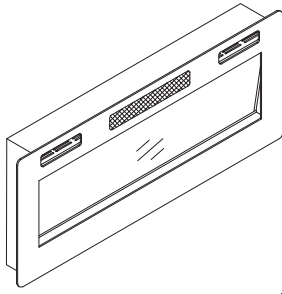
tools require



2 hours need



CAUTION:When tightening the screws,tighten sequentially.Do not tighten any screws fully and then towards the next one.When every part is OK, then tighten all the screws.

| | | |
|--|--|---|
| <p>①</p>  <p>1PC</p> | <p>②</p>  <p>1PC</p> | <p>③</p>  <p>1PC</p> |
| <p>④</p>  <p>1PC</p> | <p>⑤</p>  <p>2PCS</p> | <p>⑥</p>  <p>1PC</p> |
| <p>⑦</p>  <p>2PCS</p> | <p>⑧</p>  <p>1PC</p> | <p>⑨</p>  <p>1PC</p> |
| <p>⑩</p>  <p>1PC</p> | <p>⑪</p>  <p>2PCS</p> | <p>⑫</p>  <p>1PC</p> |

If there are any missing parts , please contact us and we will send you the corresponding replacement part.We also offer an exclusive one-month service where provide product replacement parts , as long as the damage is not caused by human error.

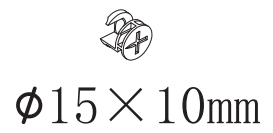
A × 24



B × 23



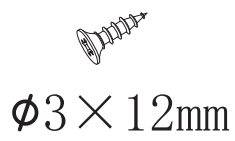
C × 24



D × 4



E × 8



F × 4



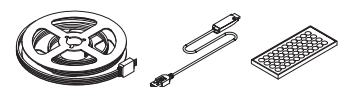
G × 8



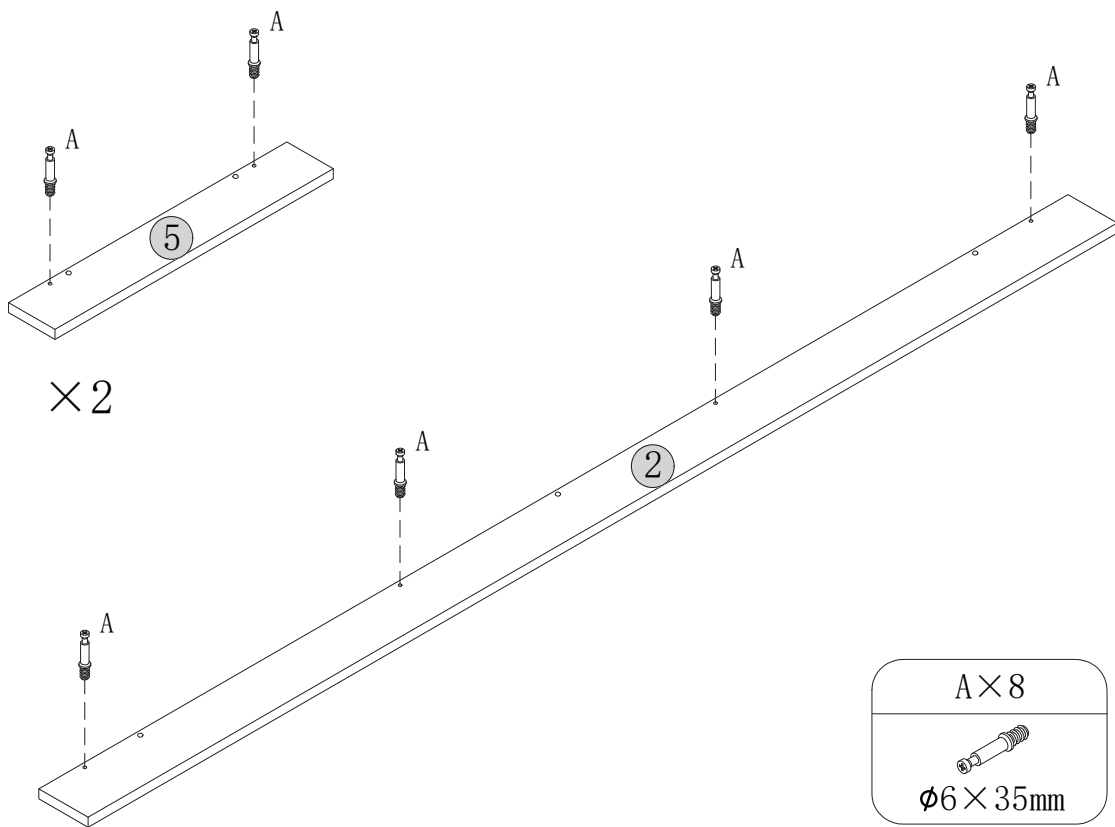
H × 6



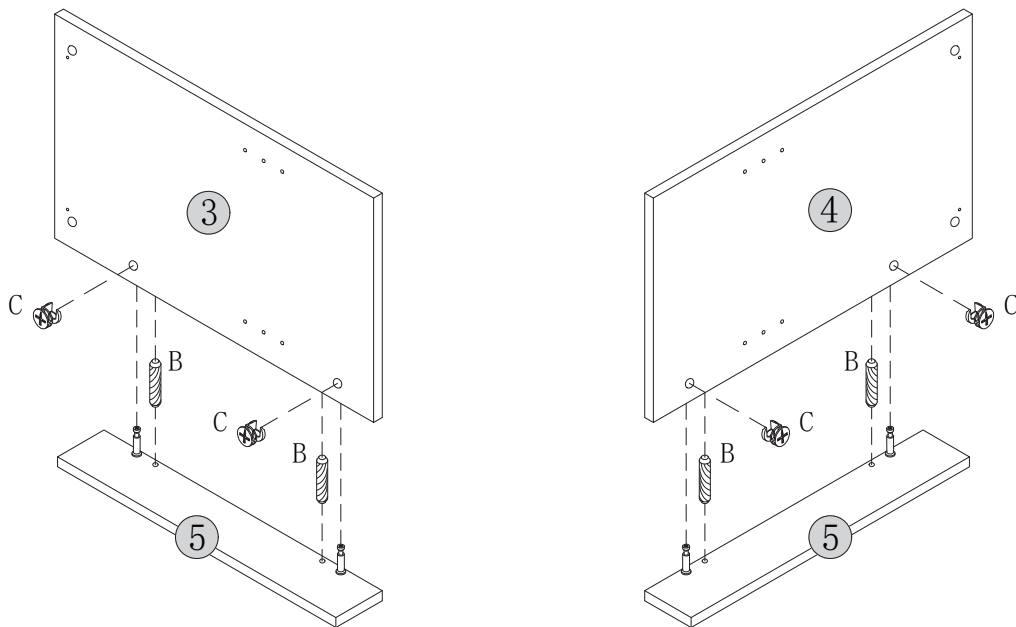
I × 1



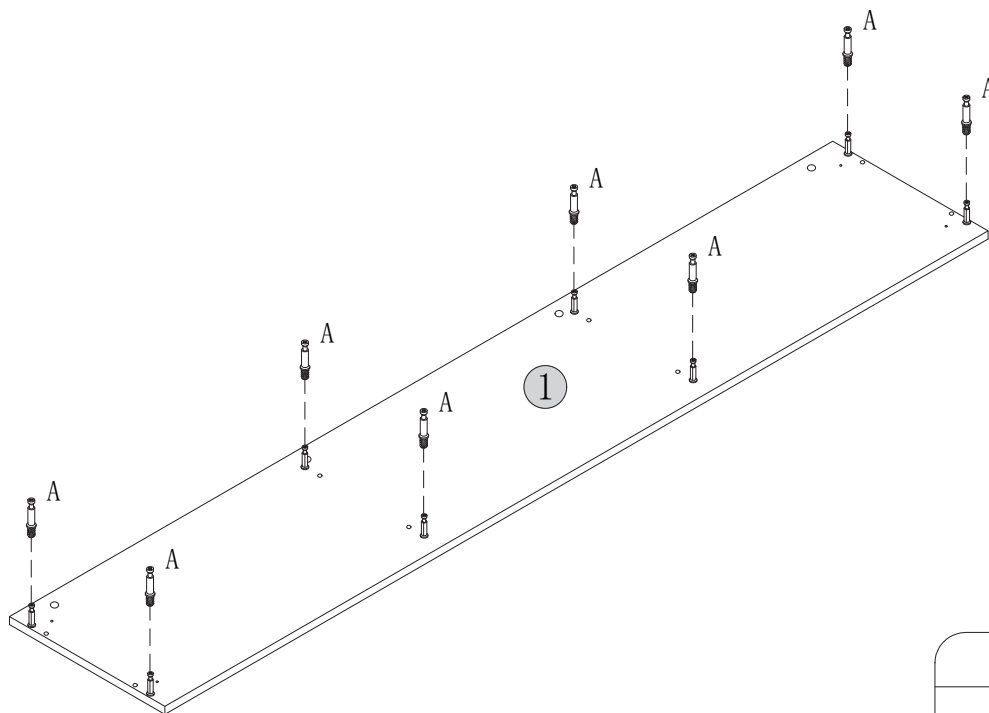
1




2

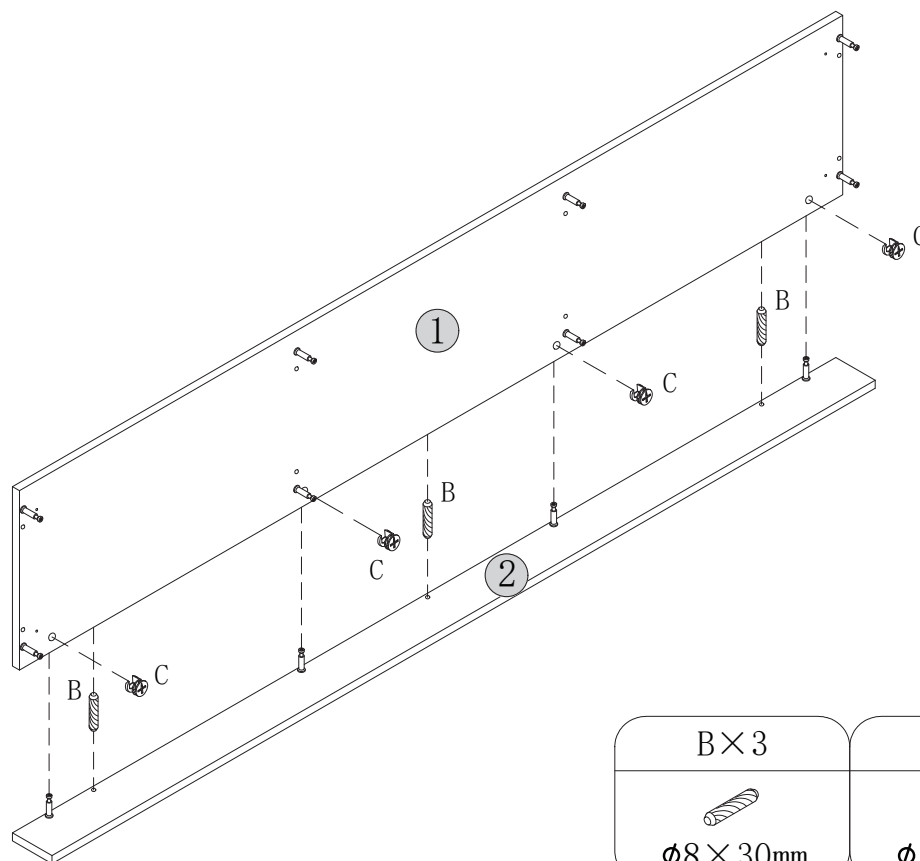




3



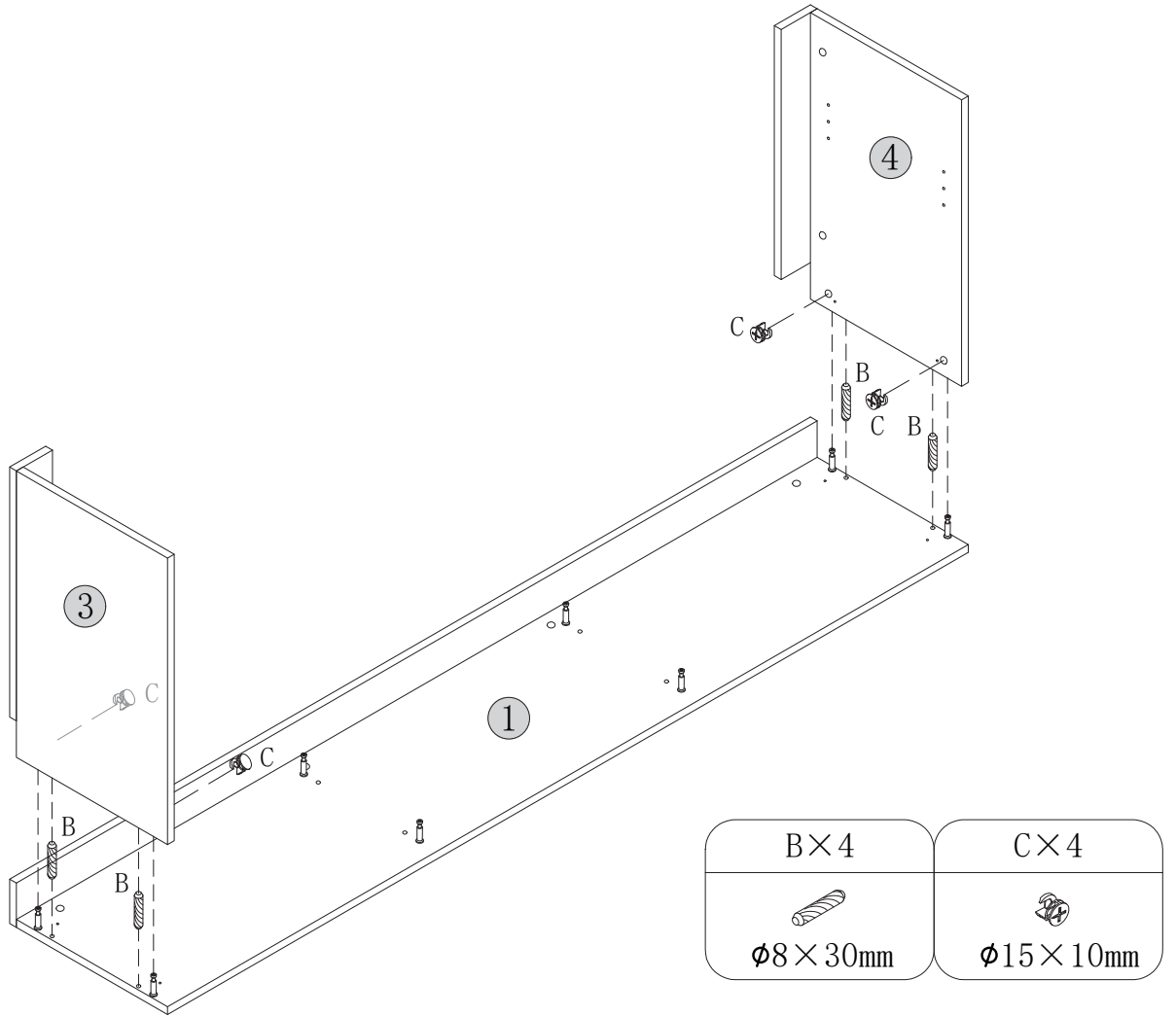
| |
|--|
| A × 8 |
|  |
| Φ6 × 35mm |

4

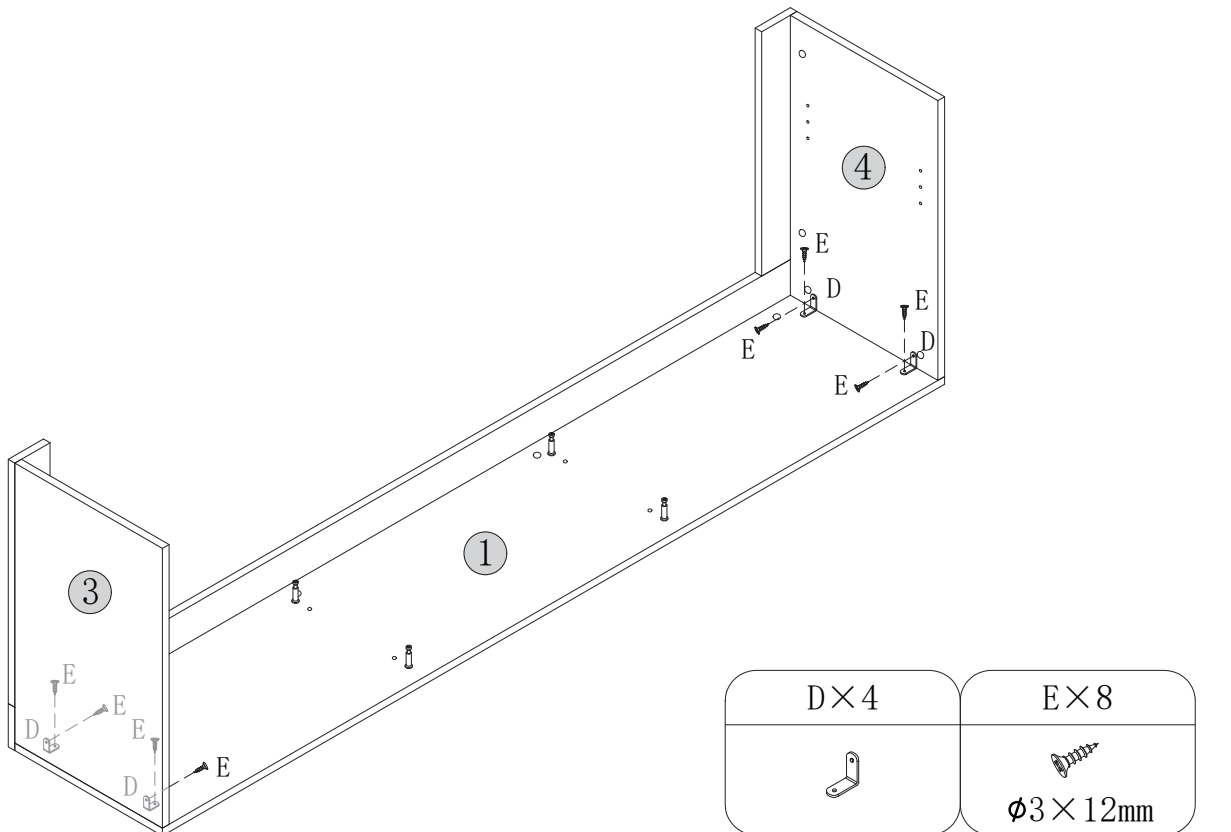


| | |
|---|---|
| B × 3 | C × 4 |
|  |  |
| Φ8 × 30mm | Φ15 × 10mm |

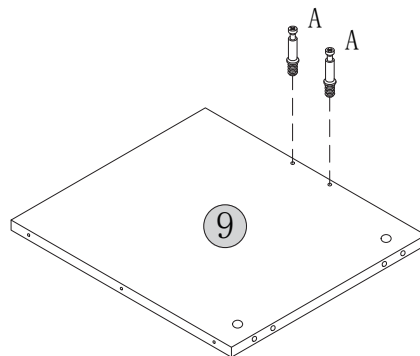
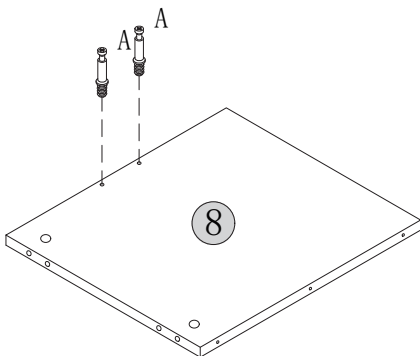
5



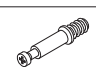
6



7

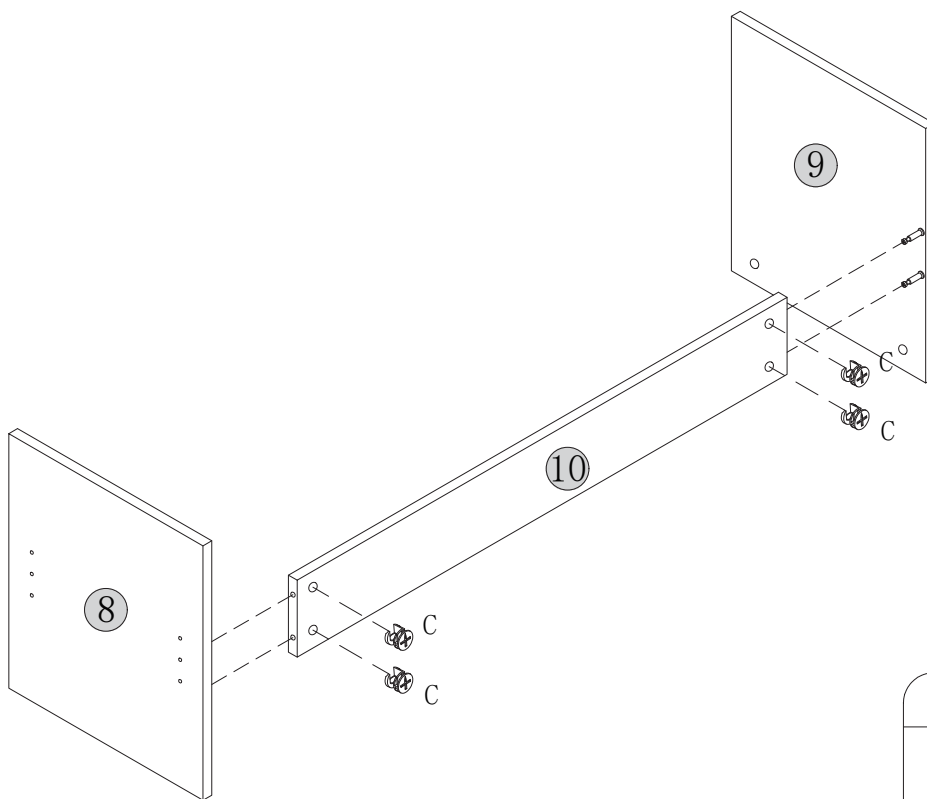


A×4




Ø6×35mm

8

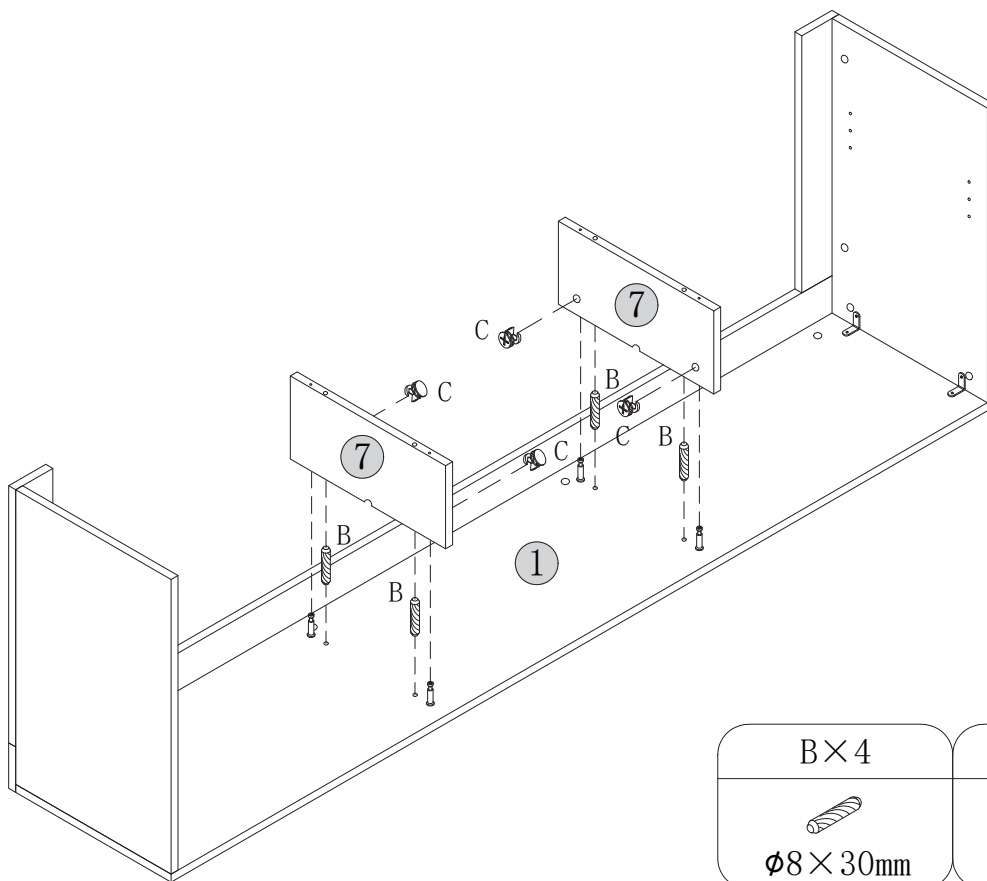


C×4

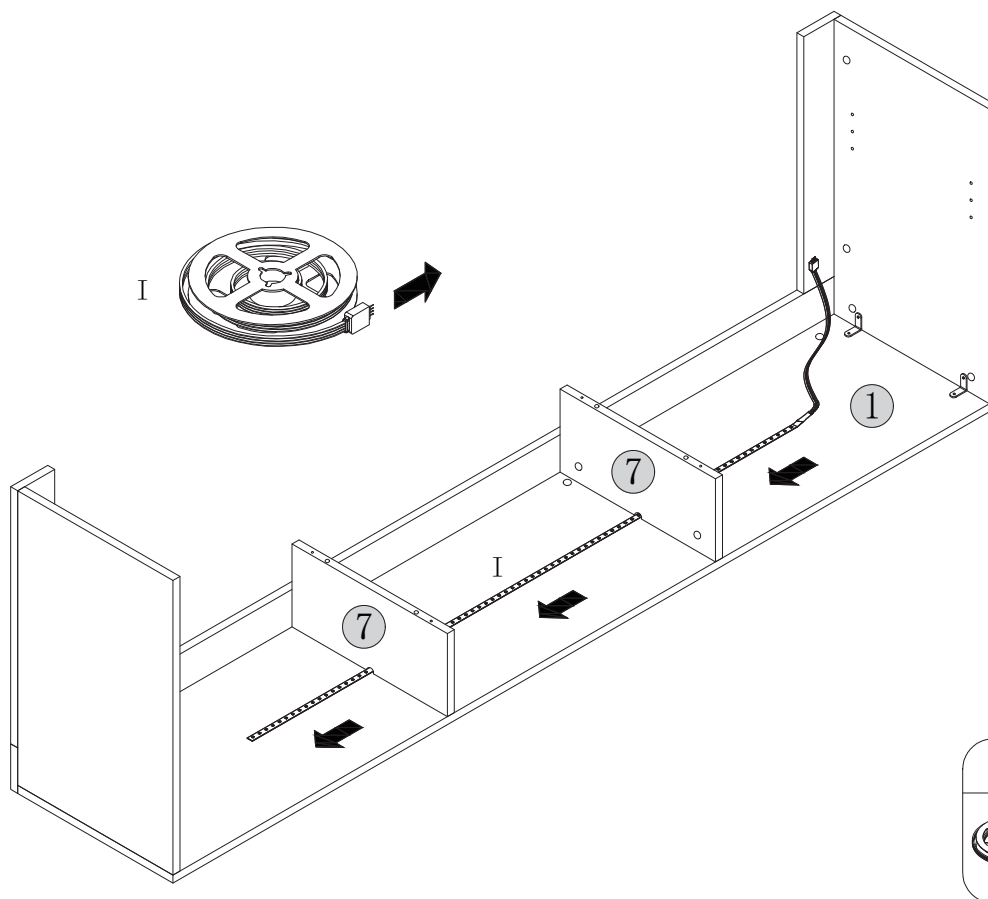


Ø15×10mm

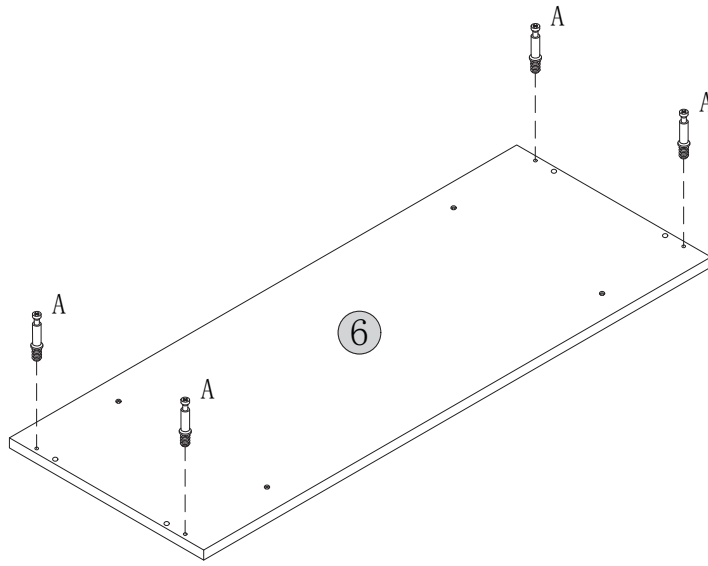
9

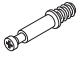


10

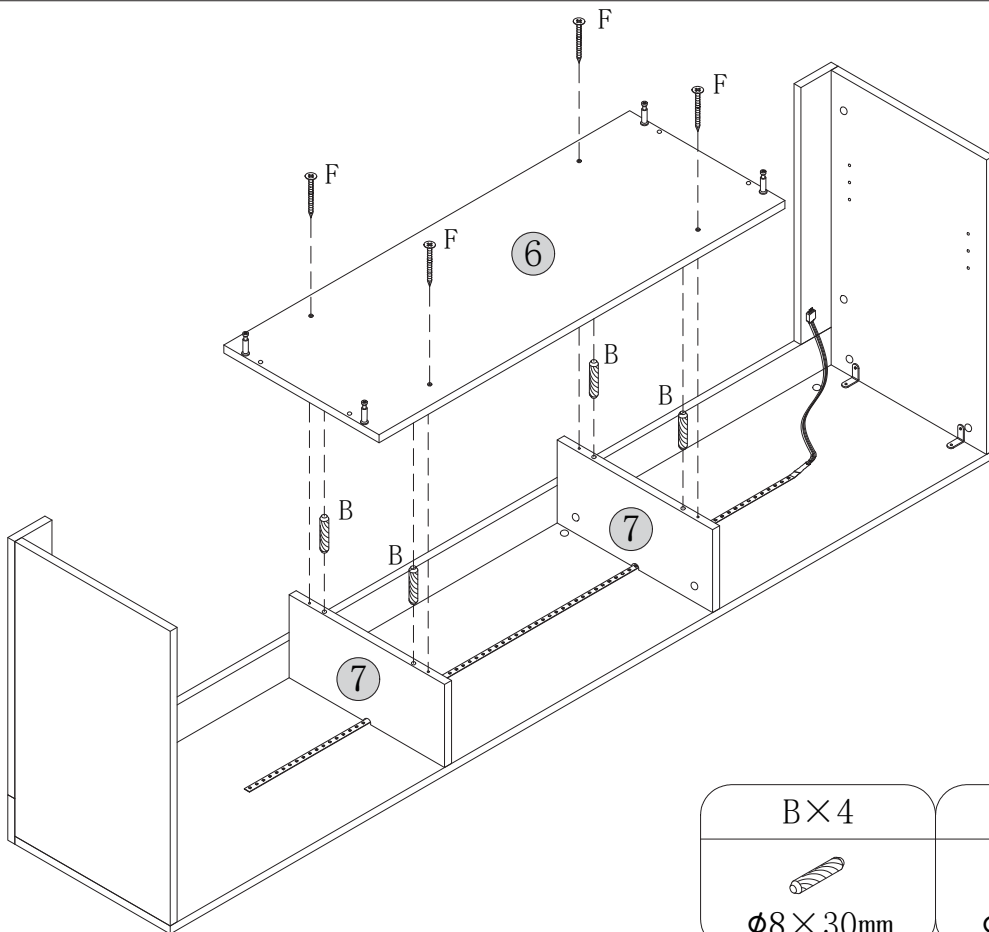




11

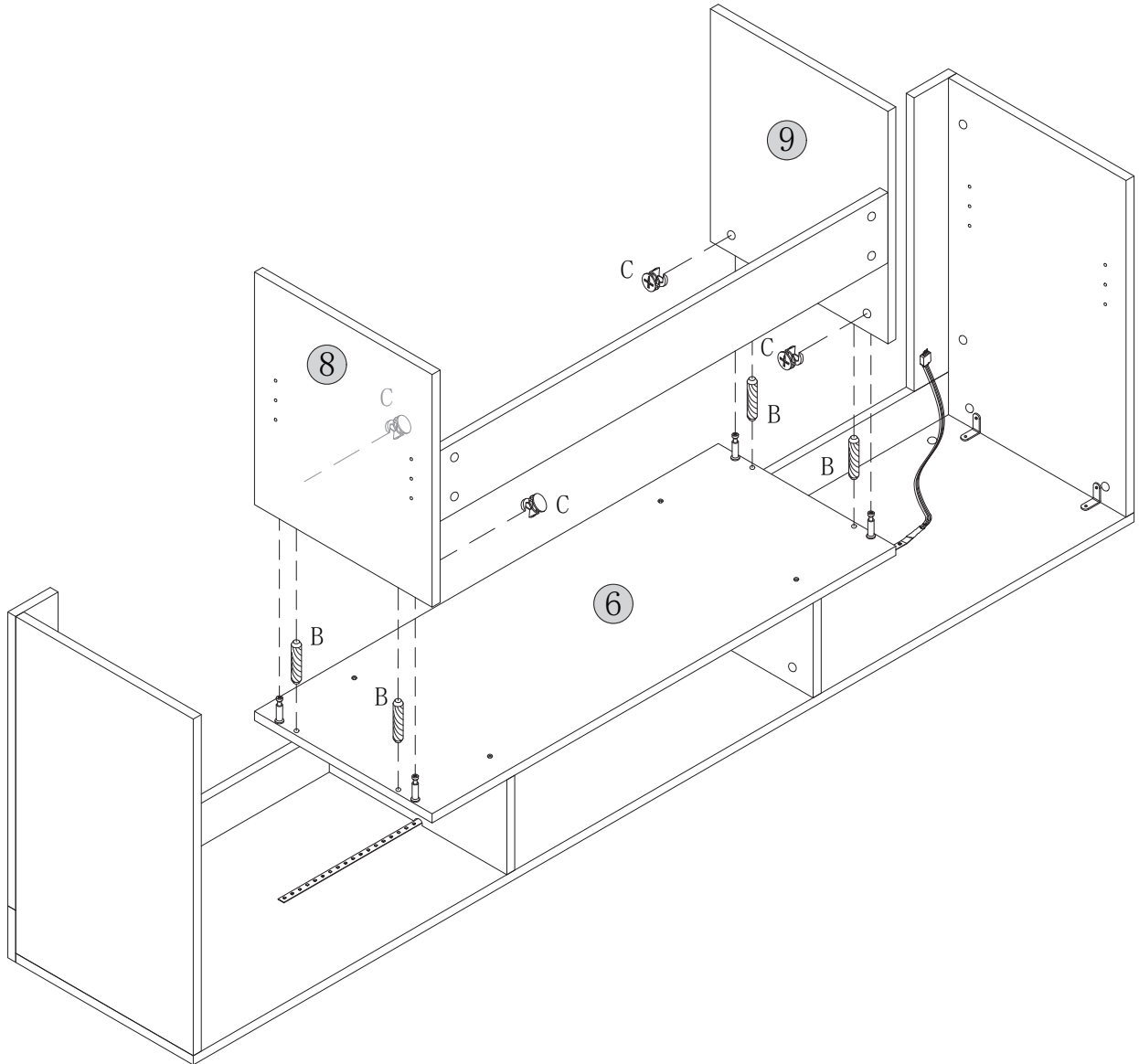


| |
|--|
| A × 4 |
|  |
| Ø6 × 35mm |

12



| | |
|---|---|
| B × 4 | F × 4 |
|  |  |
| Ø8 × 30mm | Ø4 × 35mm |



B×4



Ø8×30mm

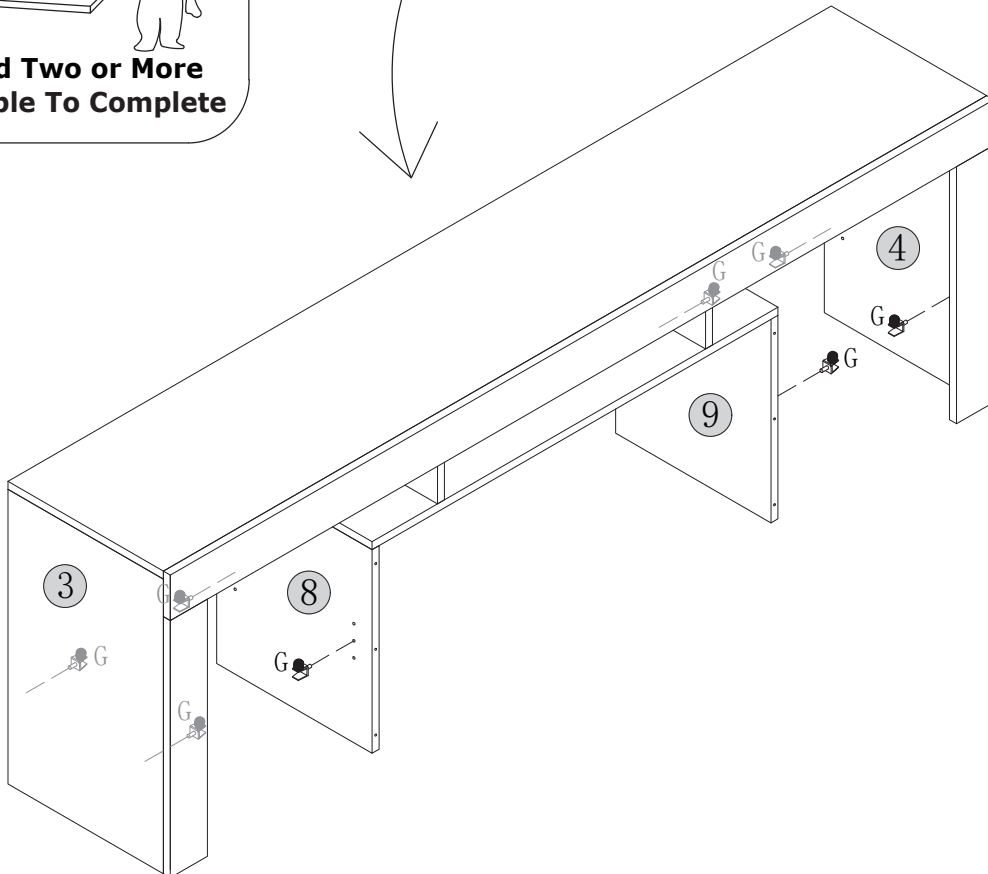
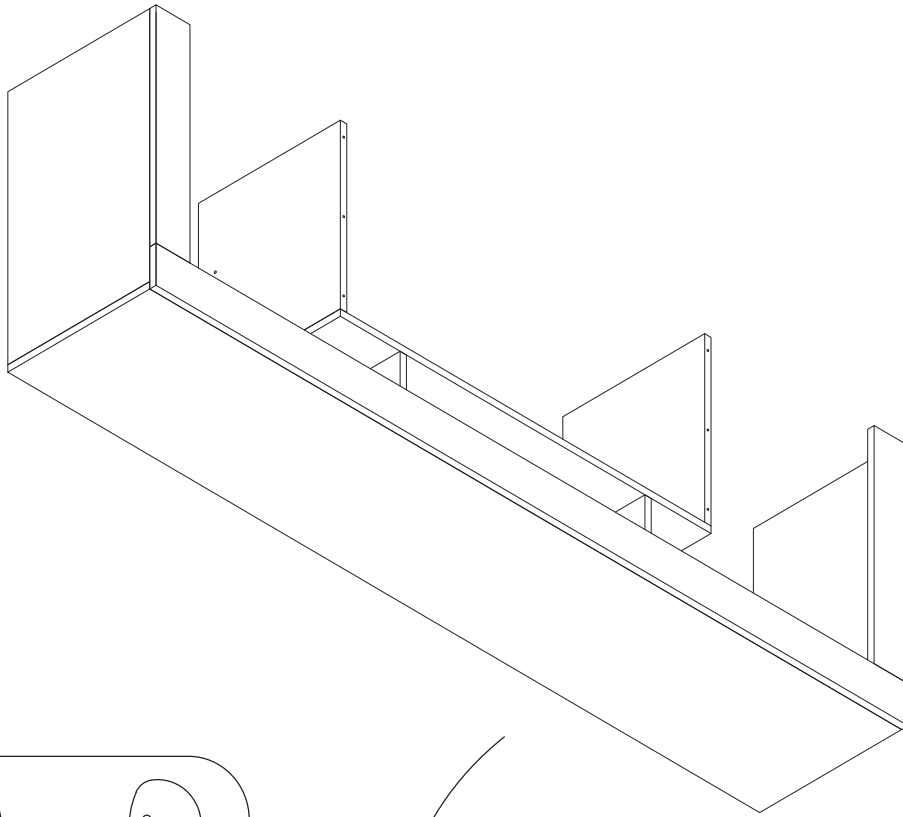
C×4

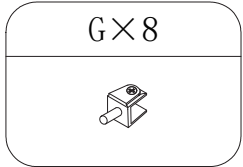
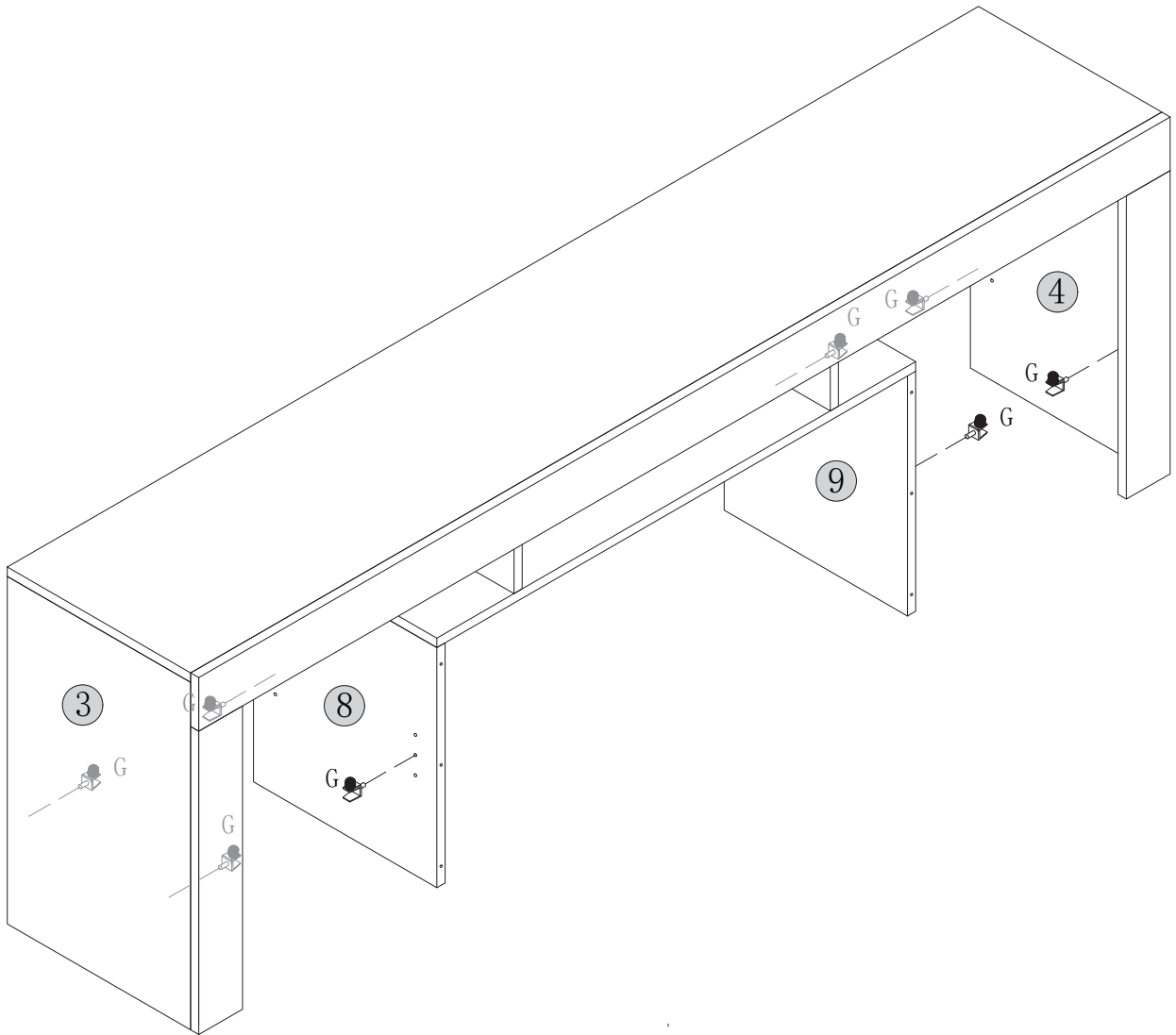
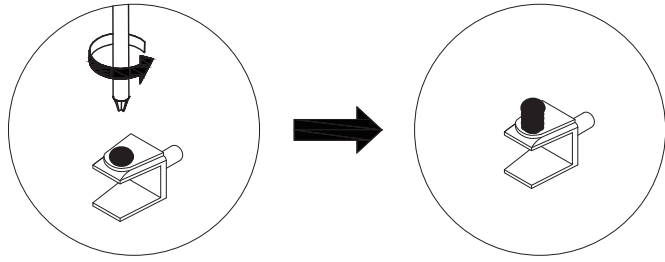


Ø15×10mm

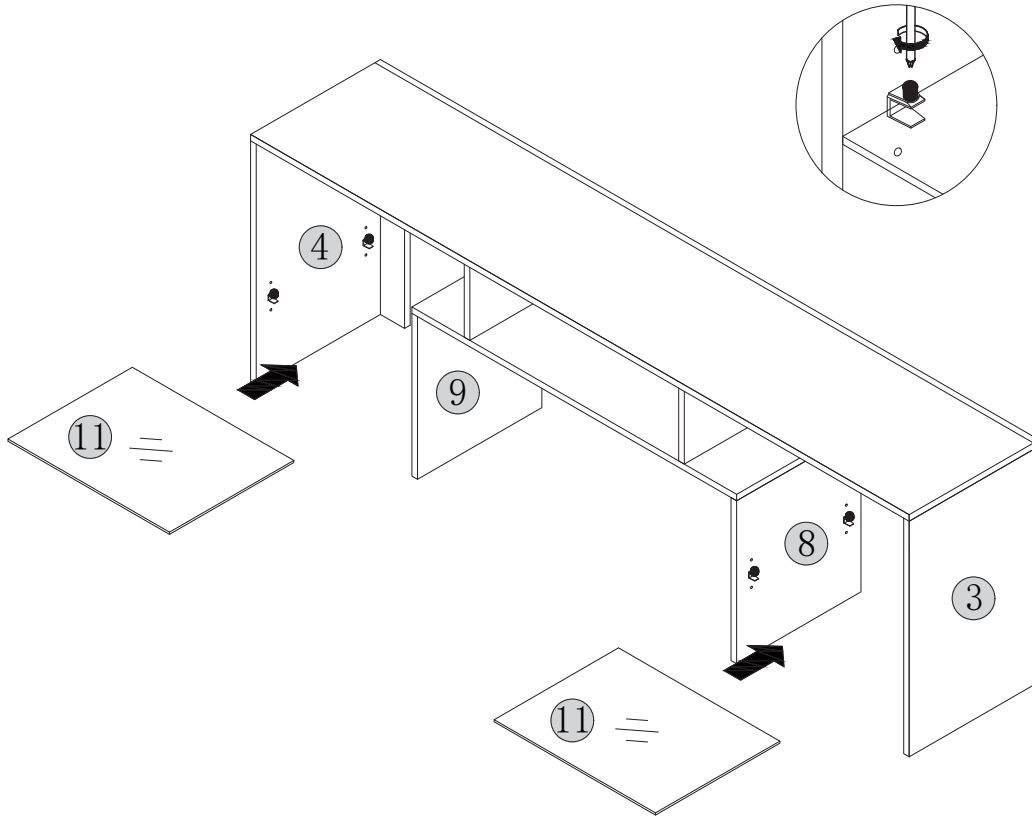


Invert the mounted TV stand.

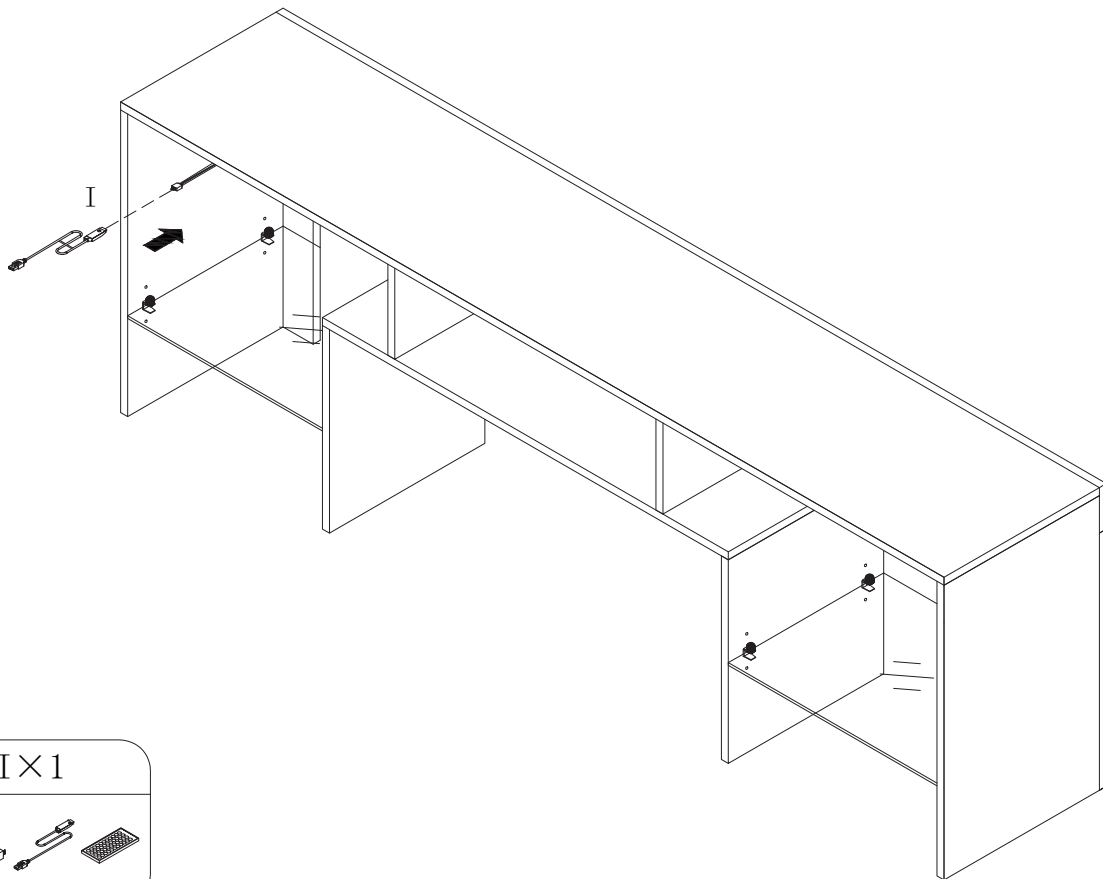




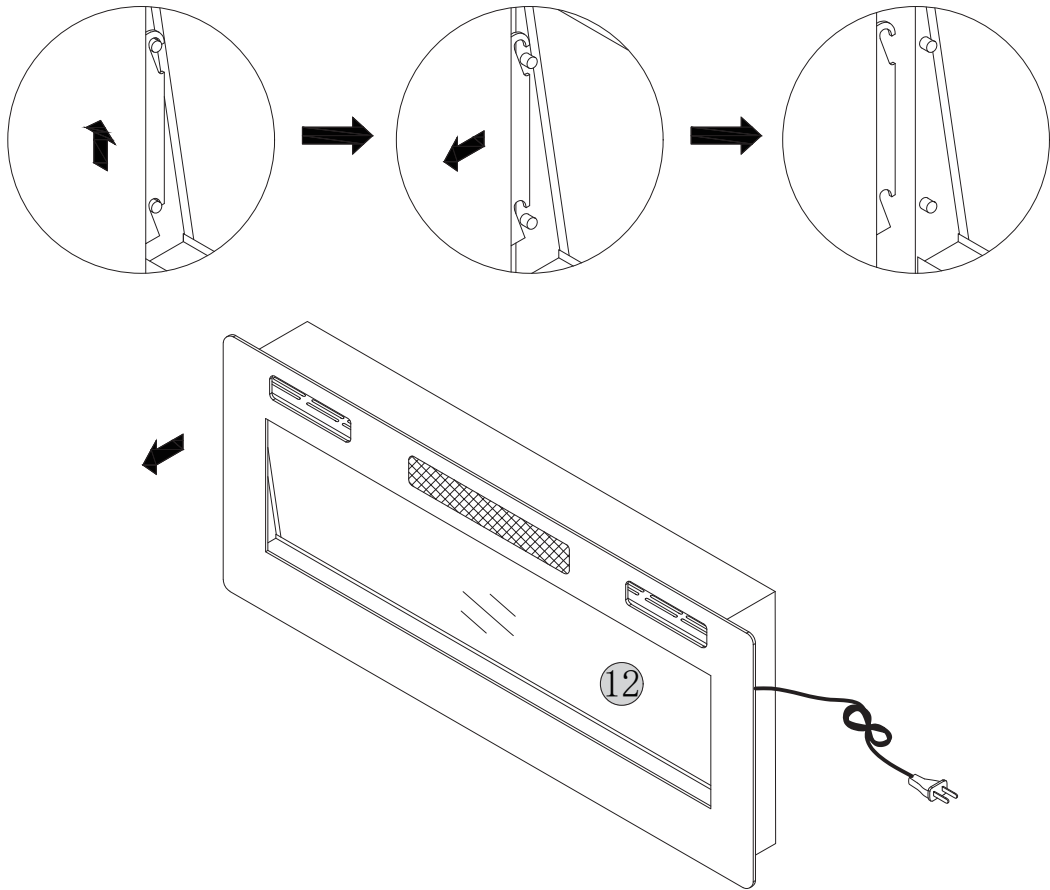
15



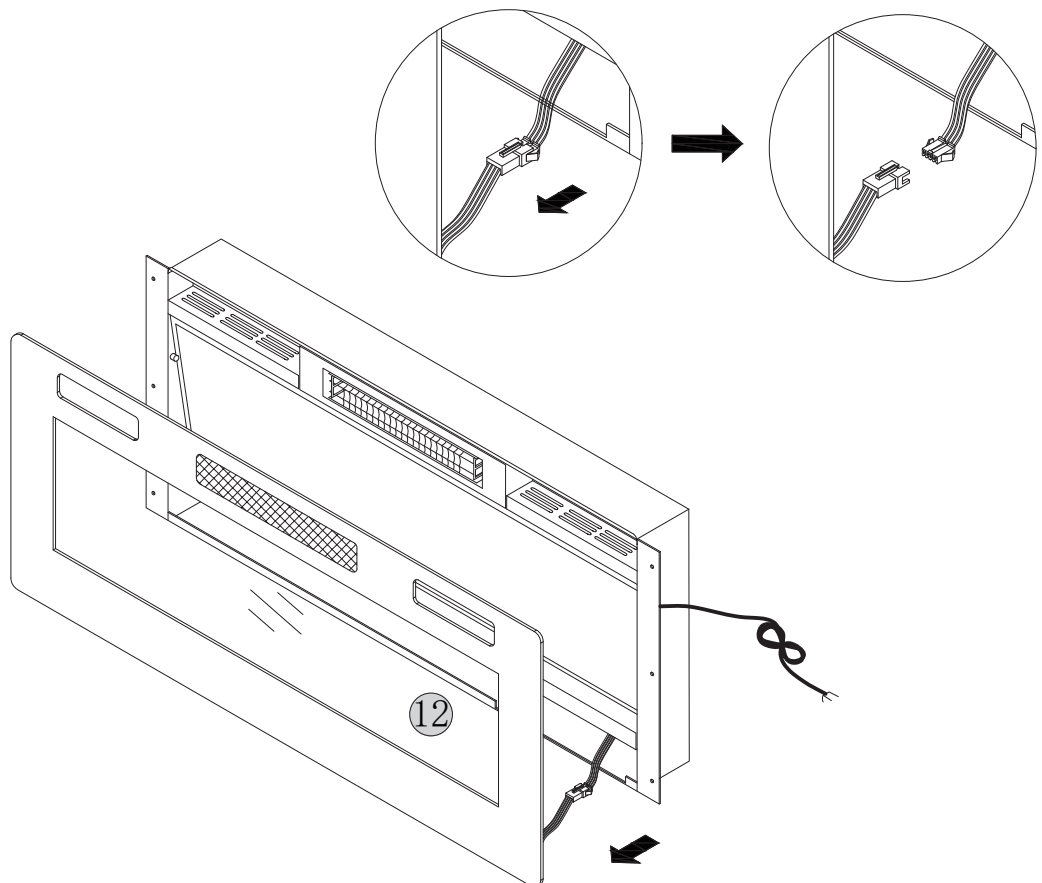
16



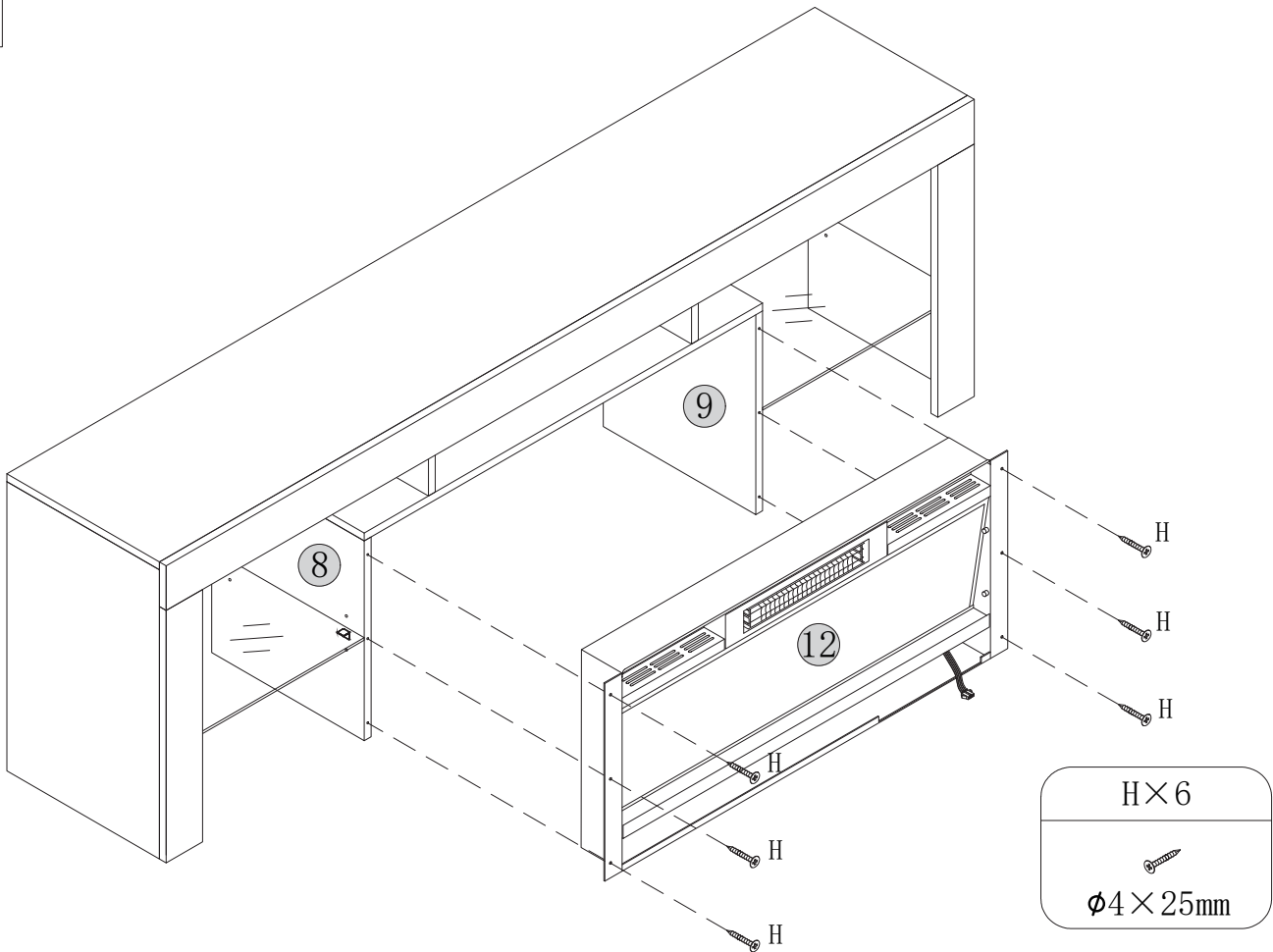
17



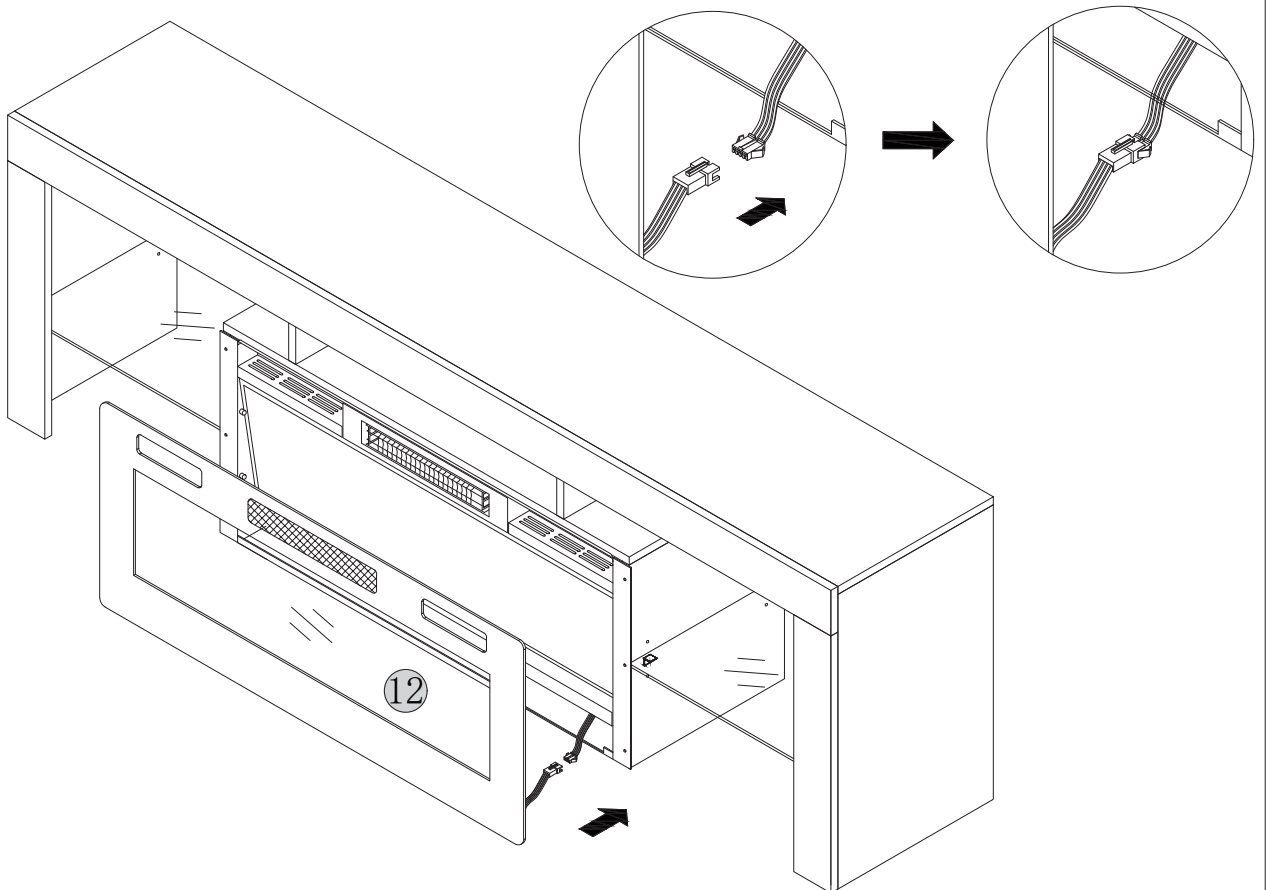
18



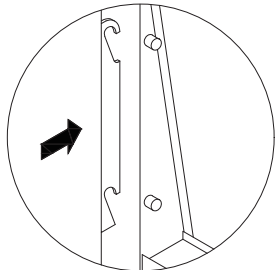
19



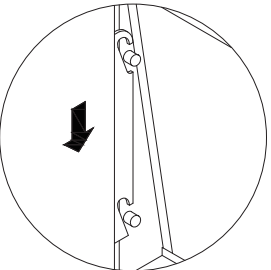
20



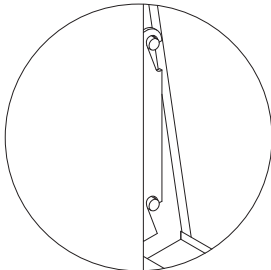
How to fit an electric fireplace casing



Aim for the hooks and snaps



Drop along the hook track



Make sure the hooks in the 2 positions match on the snaps



Beware of dropping the case

