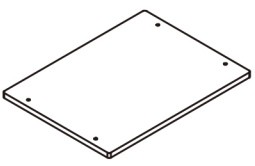

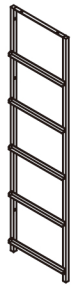
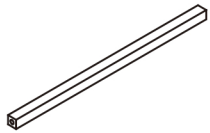

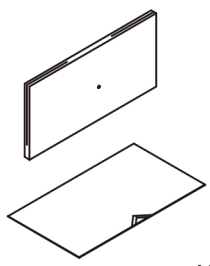




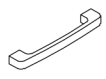
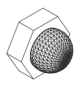
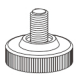


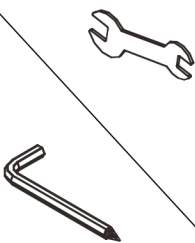
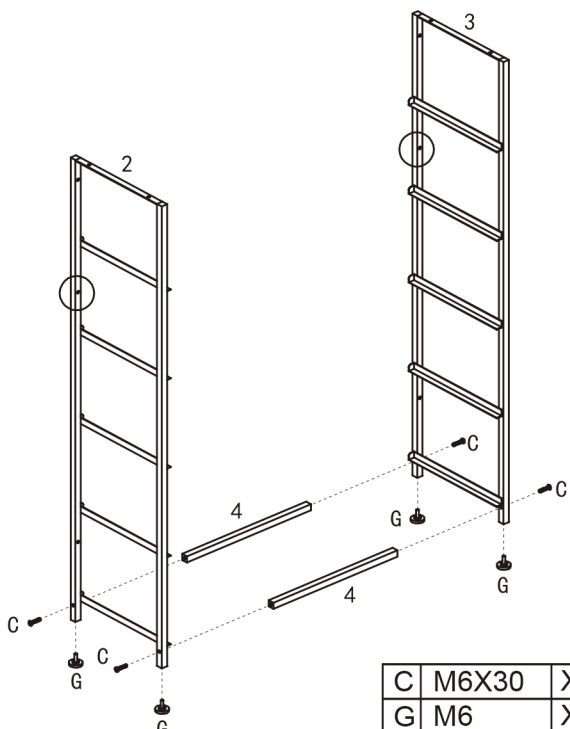


Assembling Instruction

Attention: Do not tighten the screws until all of them are in right positions

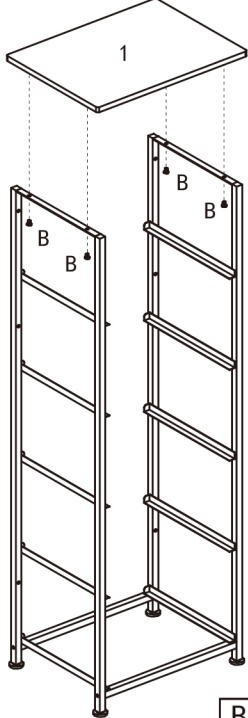
<p>1</p>  <p>X1</p>	<p>2</p>  <p>X1</p>	<p>3</p>  <p>X1</p>	<p>4</p>  <p>X2</p>	<p>5</p>  <p>X2</p>
<p>6</p>  <p>X5</p>				
<p>A</p>  <p>M6X10 X1</p>	<p>B</p>  <p>M6X25 X4</p>	<p>C</p>  <p>M6X30 X4</p>	<p>D</p>  <p>M4X10 X10</p>	<p>E</p>  <p>X5</p>
<p>F</p>  <p>M6 X5</p>	<p>G</p>  <p>M6 X4</p>	<p>H</p>  <p>M6X30 X2 M4X50 X2</p> <p>X1</p>	<p>K</p>  <p>M6X23 X4</p>	

1



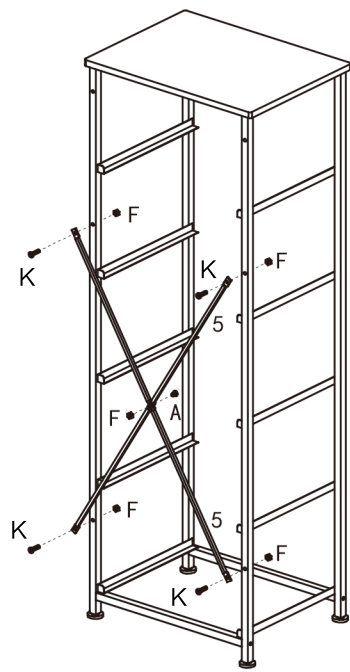
C	M6X30	X4
G	M6	X4

2



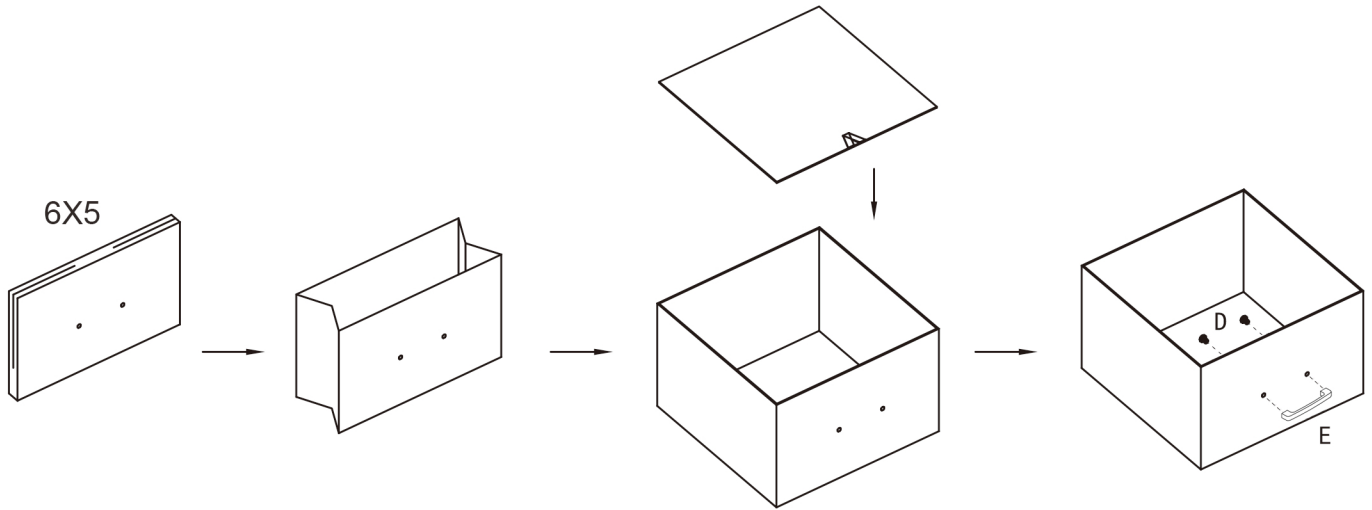
B	M6X25	X4
---	-------	----

3



A	M6X10	X1
K	M6X23	X4
F	M6	X5

4



D	M4X10	X10
E		X5

5

