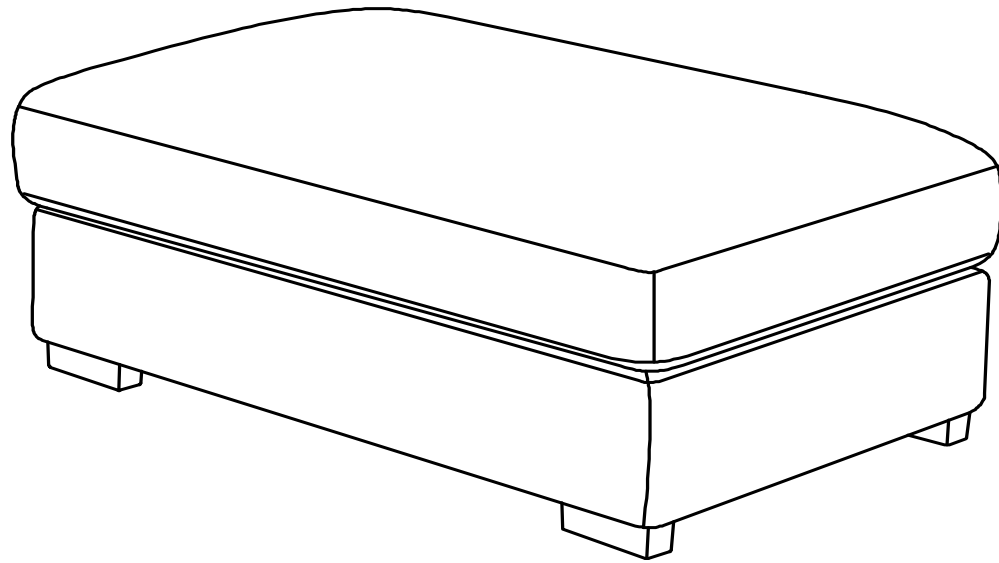
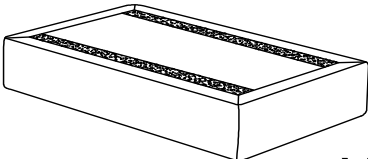
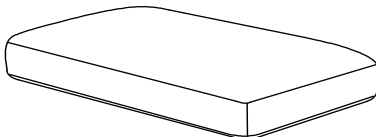
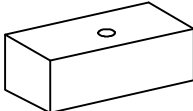
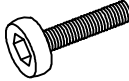

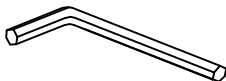


# ASSEMBLY INSTRUCTION

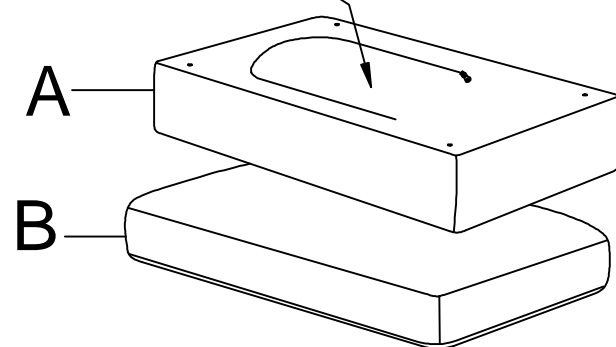
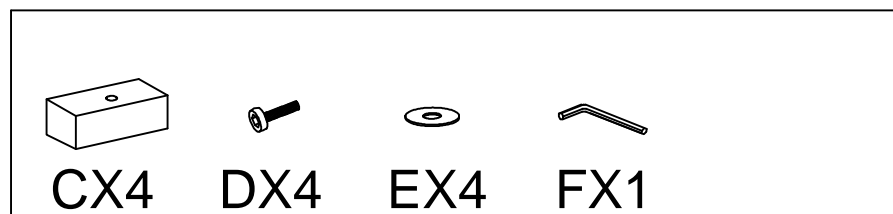
MODELNO.:F10031-O/F10032-O/F10033-O/F10034-O



## PARTS LIST

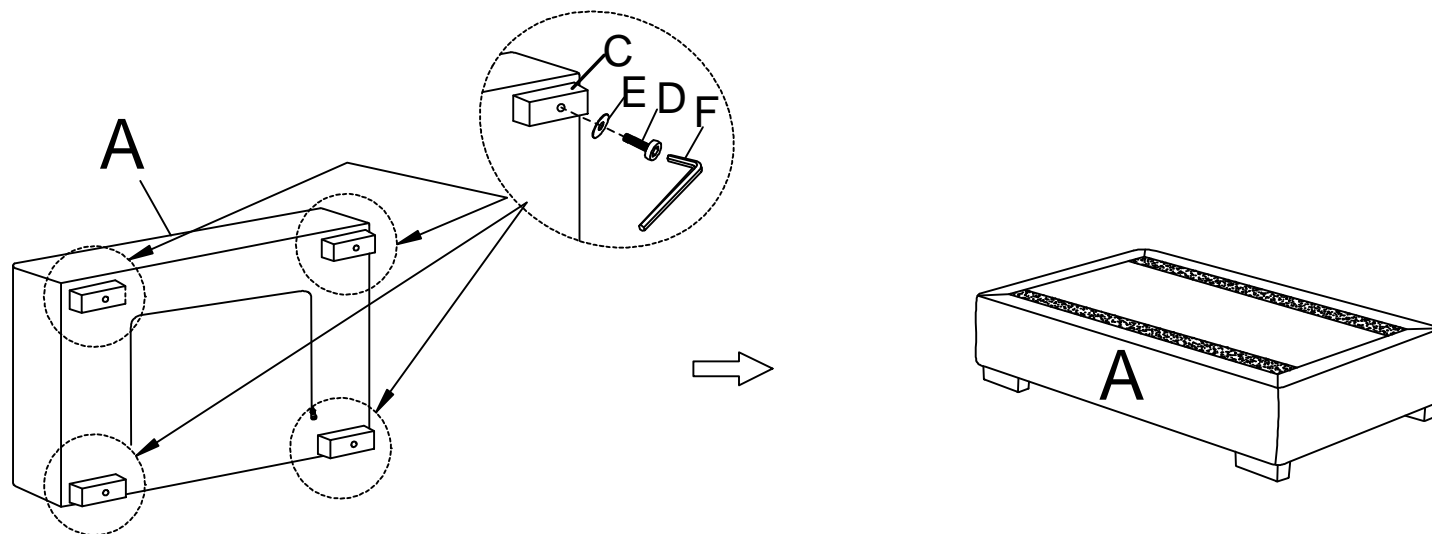
A  X1	B  X1	C  X4	D  X4	E  X4
F  X1				

### Packing list:

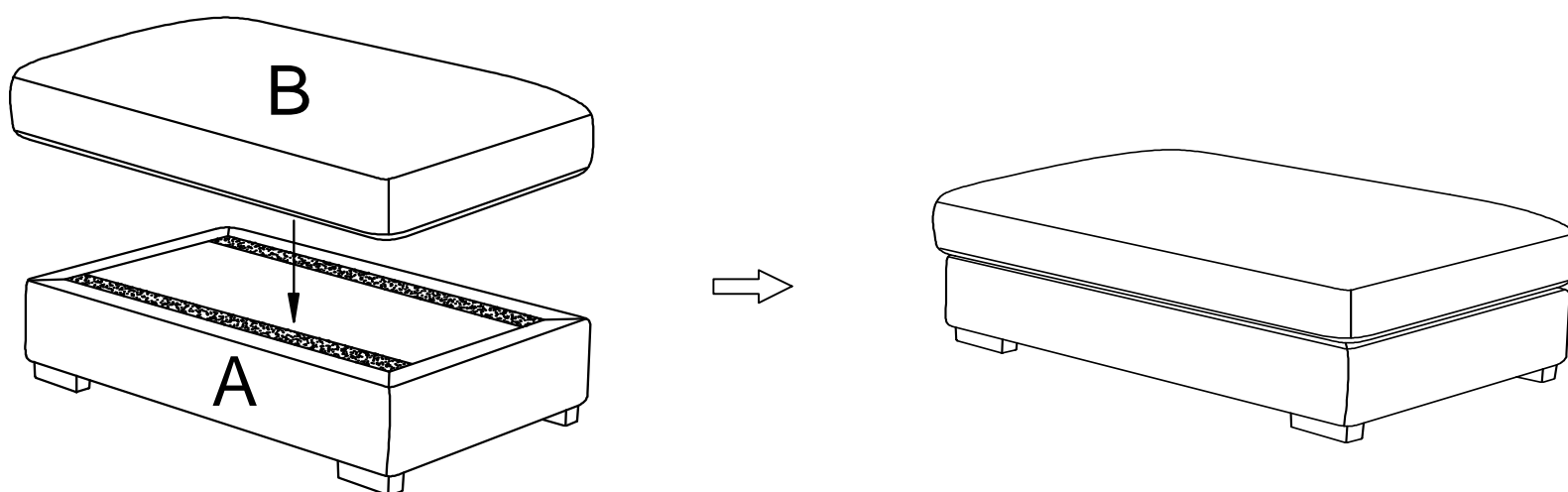


Carton 8/8

**STEP 1:**



**STEP 2:**



Toll-Free number: 1-833-273-2277