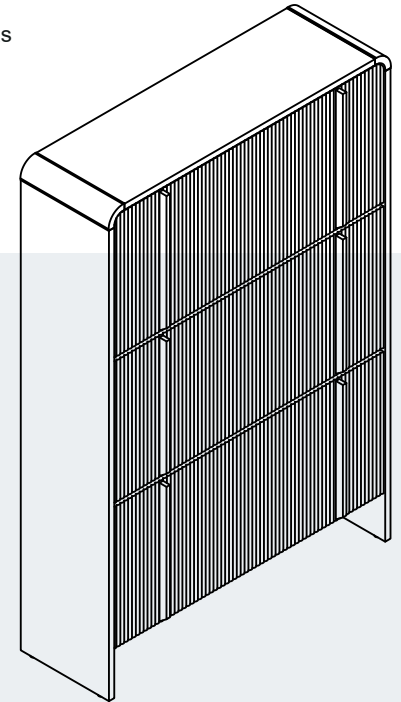


Shoe Cabinet

Assembly Instruction - Please keep properly for future reference.

If you find any missing boxes, damaged parts, or accessory shortages, please contact the customer service team of your purchasing channel immediately. We will resolve the issue as quickly as possible.



THE FOLLOWING INFORMATION:

- Order number
 - Purchase platform
 - Purchase date
 - Detailed description of the issue along with photos (if applicable)
-

Important – Please read these instructions carefully before starting the installation.

V1.0

EN

Before Assembly



Thank you for choosing our product!

To ensure a smooth installation process, please read this guide carefully to familiarize yourself with the required tools, materials, and installation steps. Follow the relevant sections to avoid any damage caused by improper installation, and make sure to review all operation and safety guidelines for correct installation procedures.

Packaging Notice:

If you find any missing boxes, damaged parts, or accessory shortages, please contact the customer service team of your purchasing channel immediately. We will resolve the issue as quickly as possible.

Safety and Care Advice



Important :

Please read these instructions fully before starting assembly.

- Check you have all the components and tools listed on the following pages.
- Remove all fittings from the plastic bags and separate them into their groups.
- Keep children and animals away from the work area, as small parts could choke if swallowed.
- Make sure you have enough space to layout the parts before starting.
- During assembly do not stand or put weight on the product, as this could cause damage.
- Assemble the item as close to its final position (in the same room) as possible.
- Assemble on a soft level surface to avoid damaging the unit or your floor.
- Parts of the assembly will be easier with 2 people.



- To reduce the likelihood of damaging your product, please ensure that your power drill is set on a low torque setting.

Care and Maintenance

- Only clean using a damp cloth and mild detergent. Do not use bleach or abrasive cleaners.
- From time to time check that there are no loose screws on this unit.
- This product should not be discarded with household waste. Take to your local authority waste disposal center.

Handy Hints

- Assemble all parts and bolts loosely during assembly, only once the product is complete should you fully tighten the bolts.
- Regularly check and ensure that all bolts and fittings are tightened properly.

Warning

In order to help prevent overturning, please follow these instructions.

- Use the anti-tip strap or wall fixing method provided (if applicable).
- Do not allow children to climb or hang on the furniture.
- Do not open more than one drawer at a time.
- Do not place heavy items in the top drawers.
- Do not place heavy items on top of the furniture, unless the furniture has been designed for this purpose.
- Please note that only the anti-tip strap is provided. You will need to provide wall plugs and screws applicable for your wall type.

Customer Service Guide



Thank you for choosing our product! We are committed to providing you with excellent service. If you find any missing parts, damaged packaging, or product damage after receiving all packages, please follow the steps below to quickly contact our customer service team. We will do our best to resolve your issue.

1. Missing Parts

Verify Parts:

1. Refer to the "Parts List" in the manual to verify the name, specifications, and quantity of the missing parts.
2. Take a clear photo of the parts list and mark the missing parts with detailed information, e.g., "Missing 5 pieces of M6×30mm screws."

Contact Us:

By Email:

Send an email with the subject line "Missing Parts Issue." Include the following in the email:

- A description of the missing parts and a photo of the parts list.
- Order details (order number, purchase platform, purchase date).

2. Product or Packaging Damage

If it affects normal use:

Steps:

1. Take clear photos or videos showing the damaged parts and the extent of the damage (multi-angle shots are recommended).
2. Email the photos/videos along with order details with the subject line "Product Damage Issue."

Resolution:

After verification, we will arrange for a replacement part, product exchange, or refund as quickly as possible.

If it does not affect normal use:

Steps:

1. Contact our customer service team.
2. Provide a description of the damage and include relevant photos or videos.

Resolution:

We will provide repair guidance or an appropriate compensation plan based on the specific situation.

Helpful Tips

To process your issue efficiently, please prepare the following information:

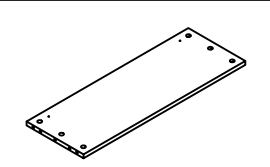
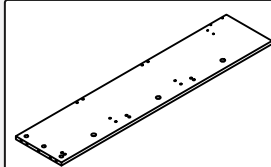
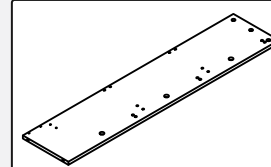
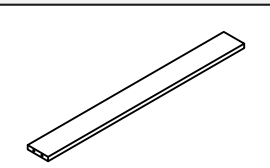
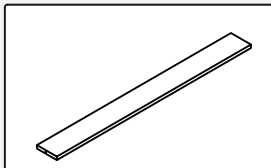
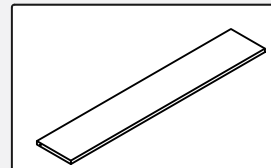
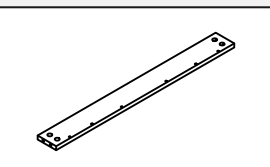
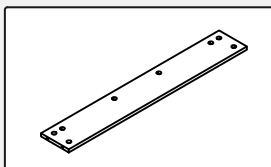
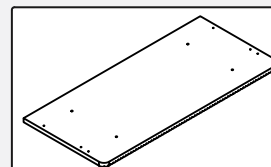
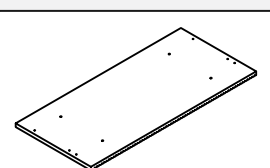
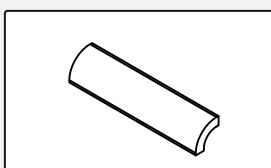
- Order details (order number, purchase platform, purchase date).
- Clear photos or videos.
- We are committed to providing quick and professional solutions, no matter the size of the issue, to ensure your satisfaction.

Thank you for your trust and support!
We hope you enjoy using our product!

Parts List - Panels



Please check you have all the panels listed below.

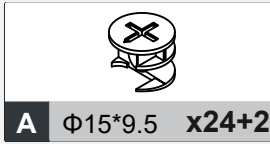
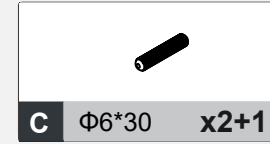
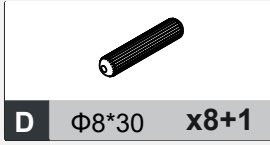
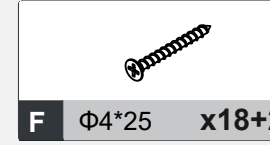
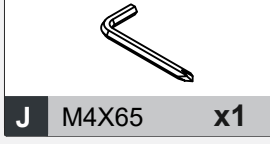
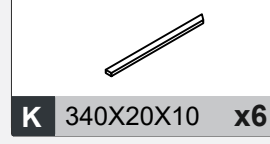
		
1 710X250X15mm x1	2 1155X250X15mm x1	3 1155X250X15mm x1
		
4 768X80X15mm x4	5 758X88X12mm x3	6 758X139X12mm x6
		
7 768X80X15mm x1	8 768X120X12mm x1	9 762X347X15mm x1
		
10 762X347X15mm x2	11 250X64X27mm x2	

Parts List - Panels



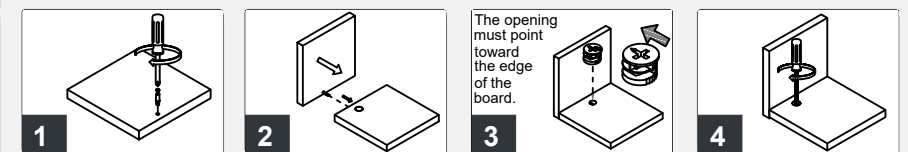
Please check you have all the fittings listed below.

Note: The quantities below are the correct amount to complete the assembly. In some cases more fittings may be supplied are required.

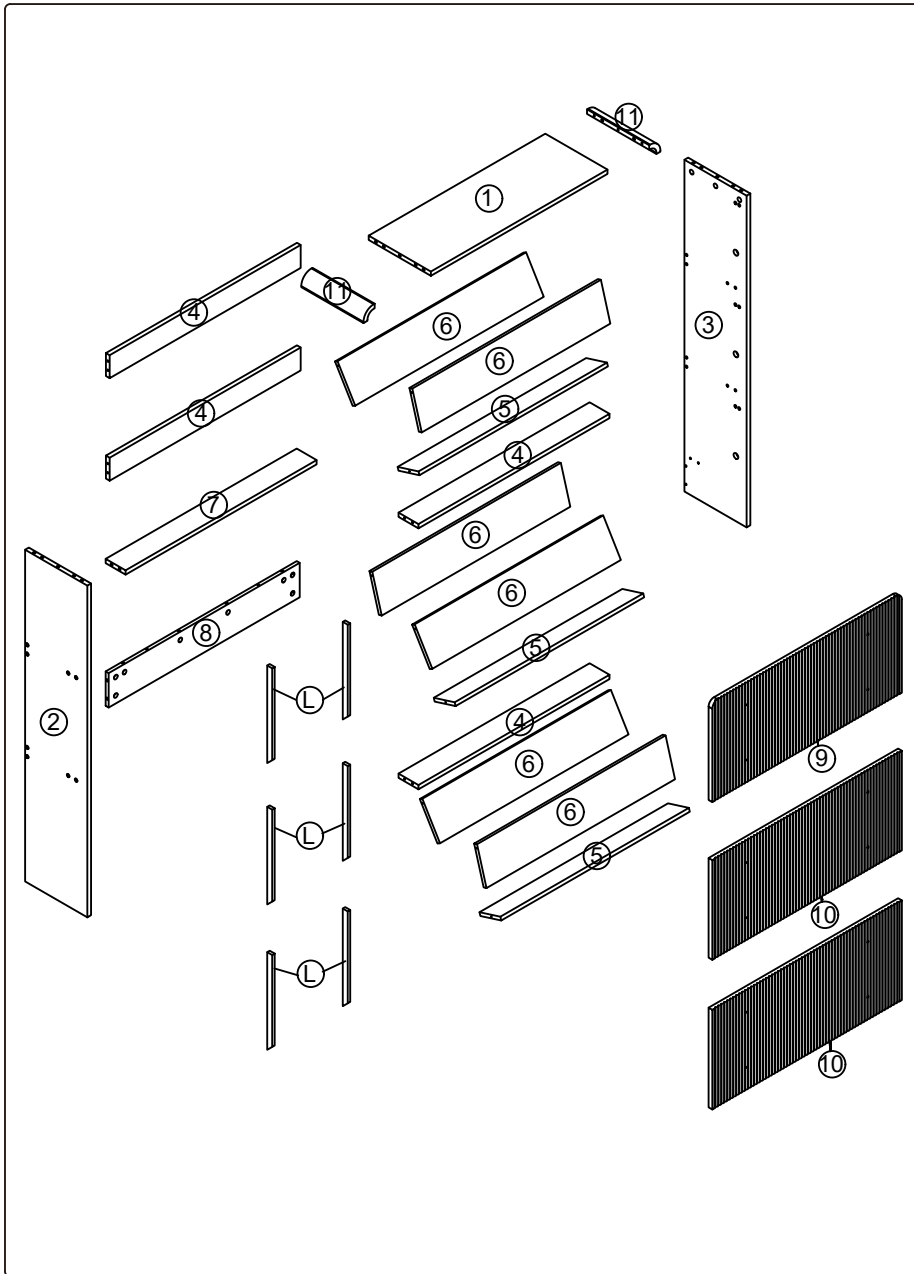
		
A $\Phi 15 \times 9.5$ x24+2	B $\Phi 6.5 \times 35$ x24+2	C $\Phi 6 \times 30$ x2+1
		
D $\Phi 8 \times 30$ x8+1	E $\Phi 3.5 \times 14$ x24+2	F $\Phi 4 \times 25$ x18+2
		
G x3 Juegos	H $\Phi 4 \times 25$ x12+2	I x2 Juegos
		
J M4X65 x1	K 340X20X10 x6	L $\Phi 6.3 \times 40$ x16+2
		
M $\Phi 21$ x28+2		

Cam Lock Fastening System

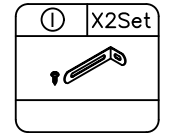
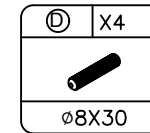
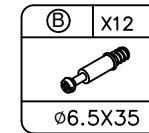
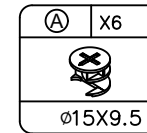
Insert the cam bolt into the hole first, then insert the cam lock and lock it.



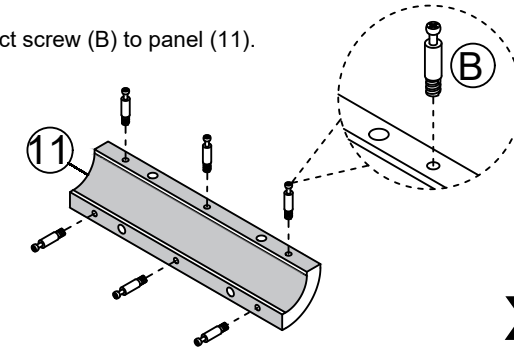
Assembly Instructions



Step 1

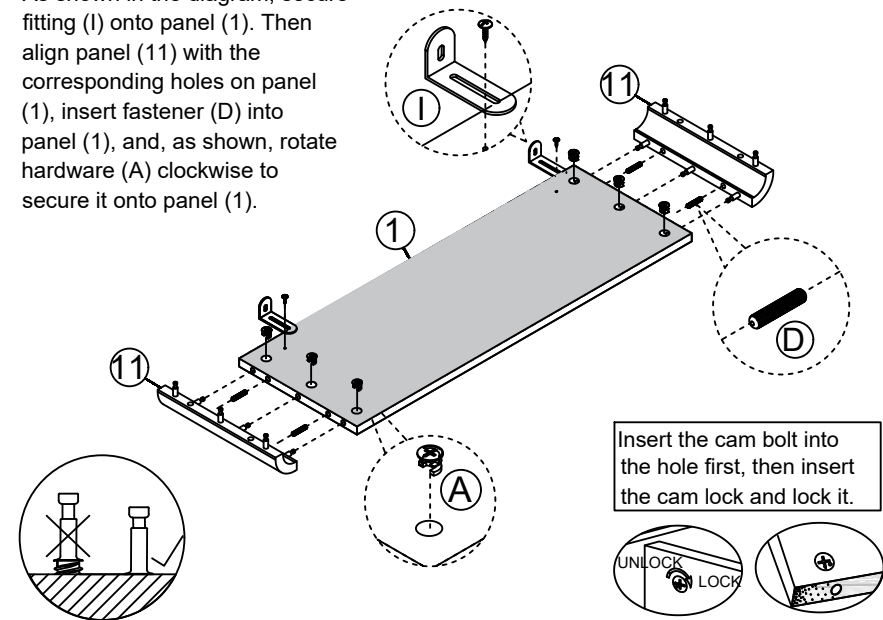


Connect screw (B) to panel (11).



x2

As shown in the diagram, secure fitting (I) onto panel (1). Then align panel (11) with the corresponding holes on panel (1), insert fastener (D) into panel (1), and, as shown, rotate hardware (A) clockwise to secure it onto panel (1).

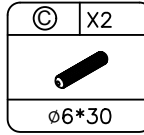
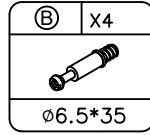
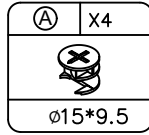
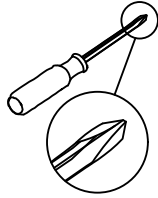


Insert the cam bolt into the hole first, then insert the cam lock and lock it.

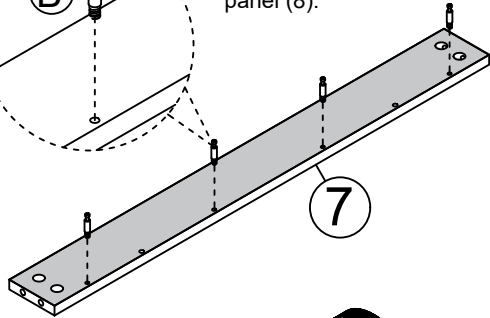
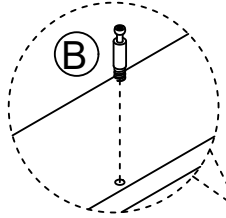


Proper orientation of CAM LOCK

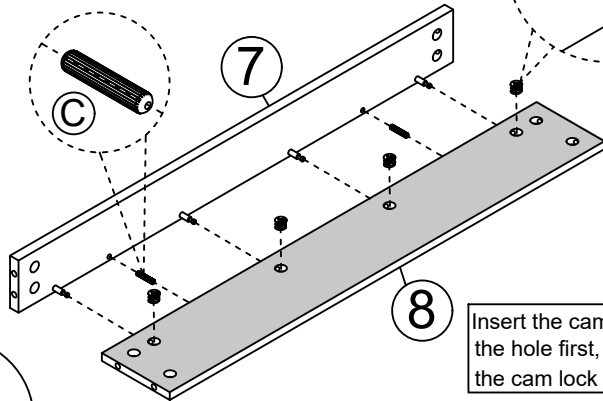
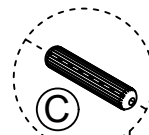
Step 2



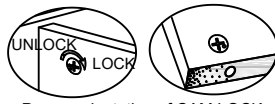
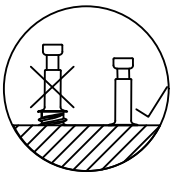
Install screw (B) onto panel (7), then flip it over to align with the corresponding holes on panel (8). Insert fitting (C) into panel (8), and as shown, rotate hardware (A) clockwise to secure it onto panel (8).



FLIP OVER

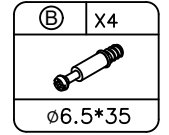
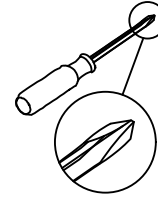


Insert the cam bolt into the hole first, then insert the cam lock and lock it.

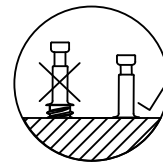
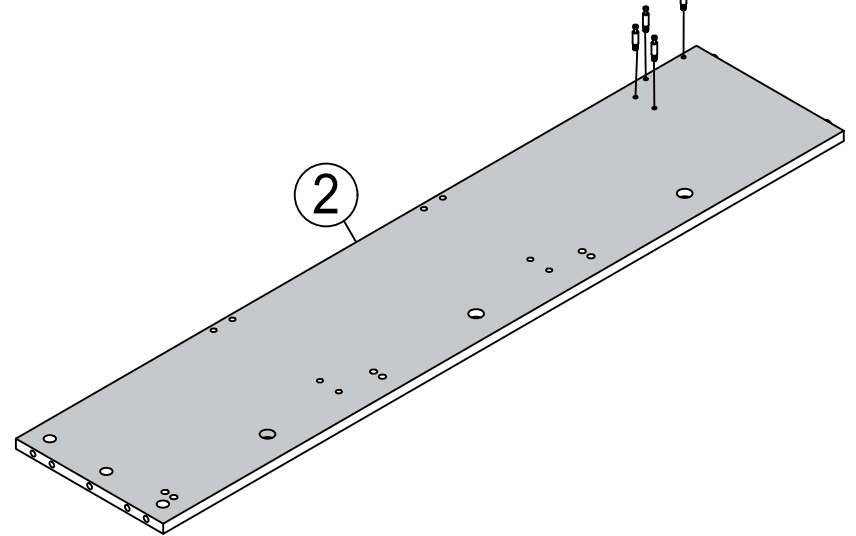
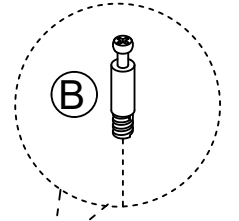


Proper orientation of CAM LOCK

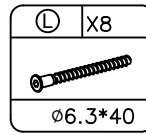
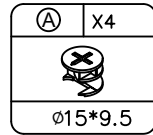
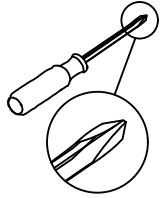
Step 3



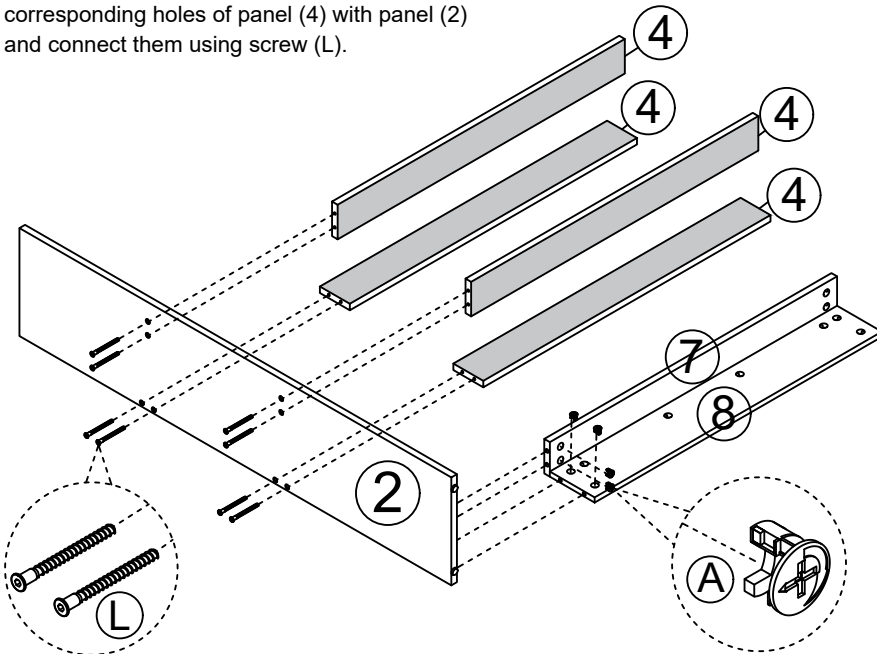
Connect screw (B) to panel (2).



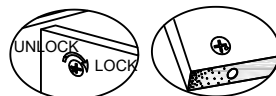
Step 4



First, align the corresponding holes of panels (7) and (8) with those on panel (2). Then, as shown, use screw (A) and rotate clockwise to connect panels (7), (8), and (2). Next, align the corresponding holes of panel (4) with panel (2) and connect them using screw (L).

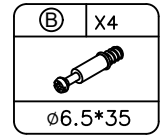
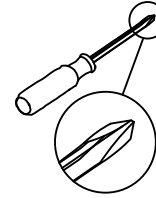


Insert the cam bolt into the hole first, then insert the cam lock and lock it.

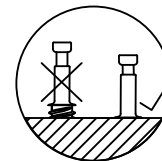
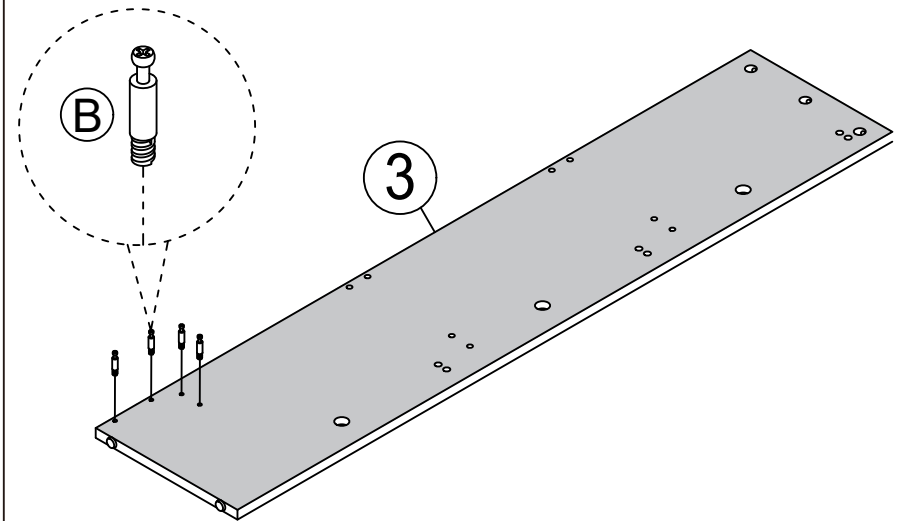


Proper orientation of CAM LOCK

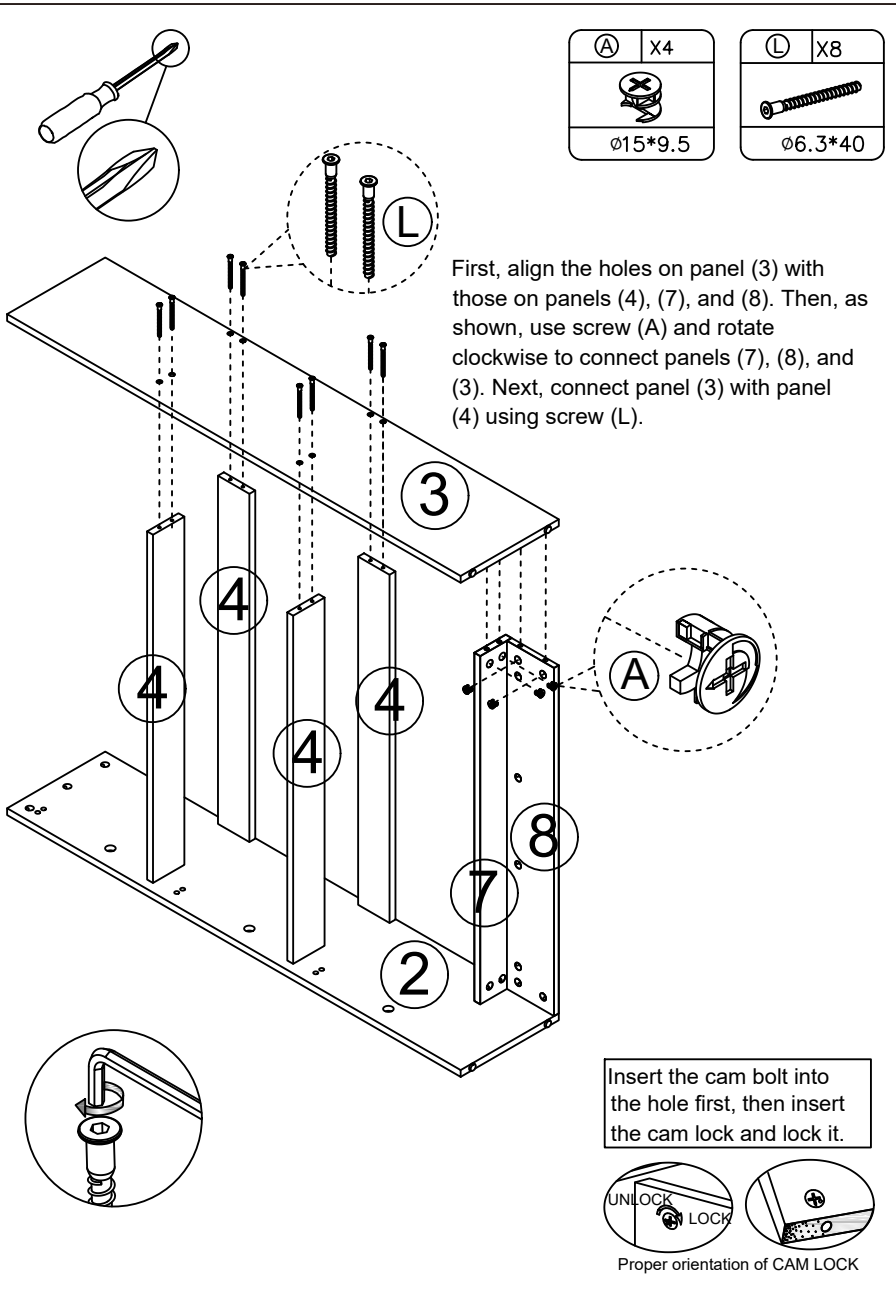
Step 5



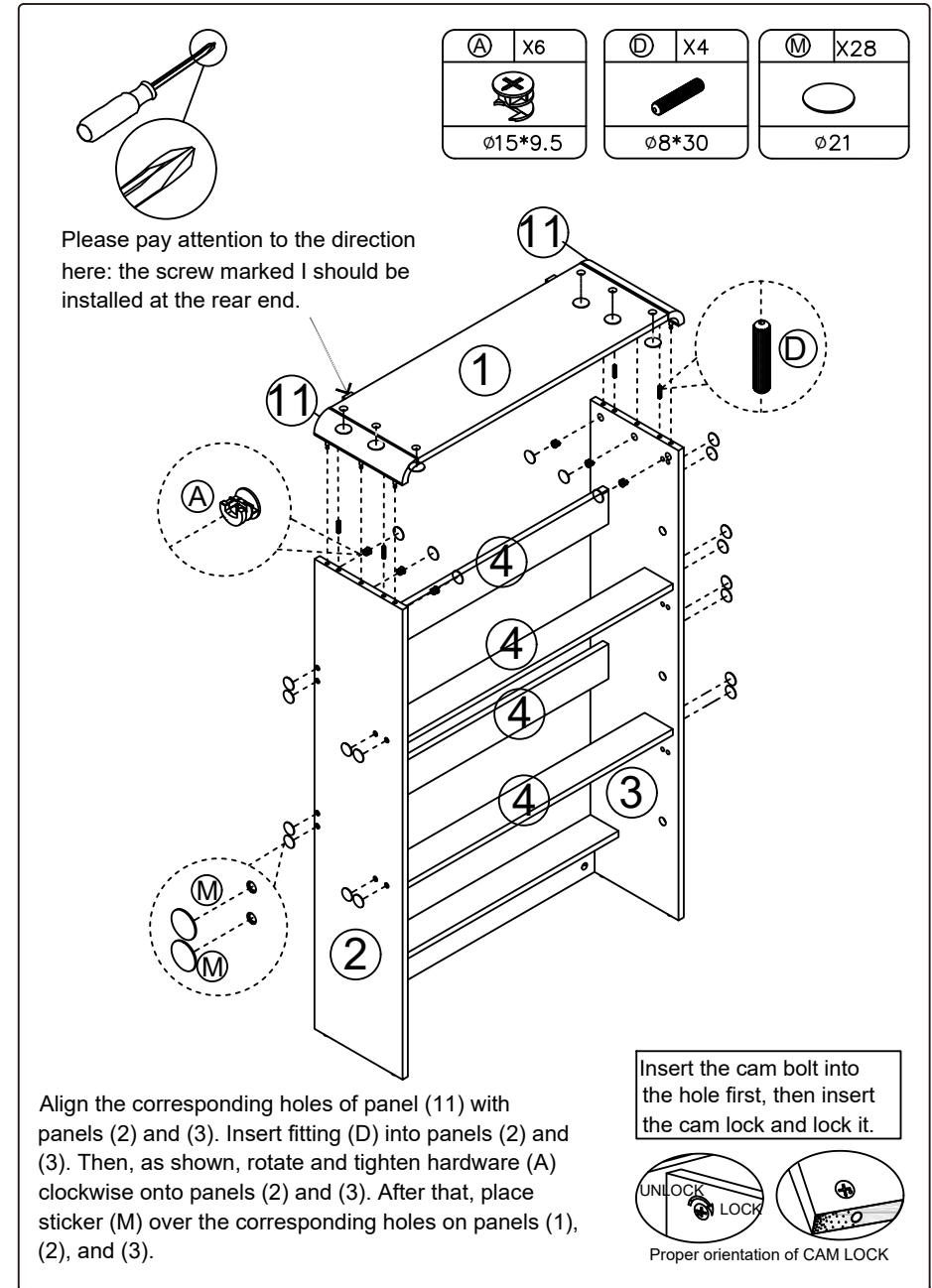
Connect screw (B) to panel (3).



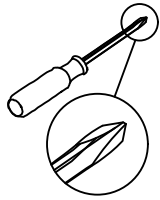
Step 6



Step 7

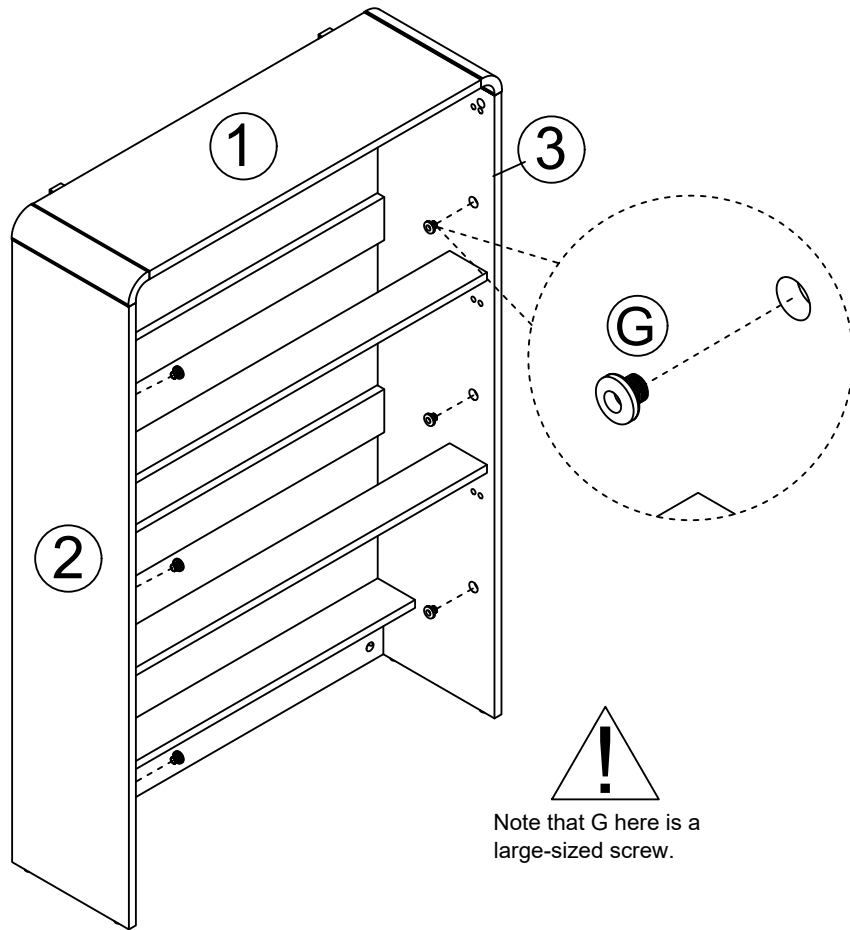


Step 8



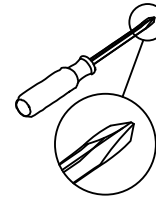
ⓐ	X3Set
ⓑ	Big
ⓒ	

Insert fitting (G) into the corresponding holes of panels (2) and (3).



Note that G here is a large-sized screw.

Step 9

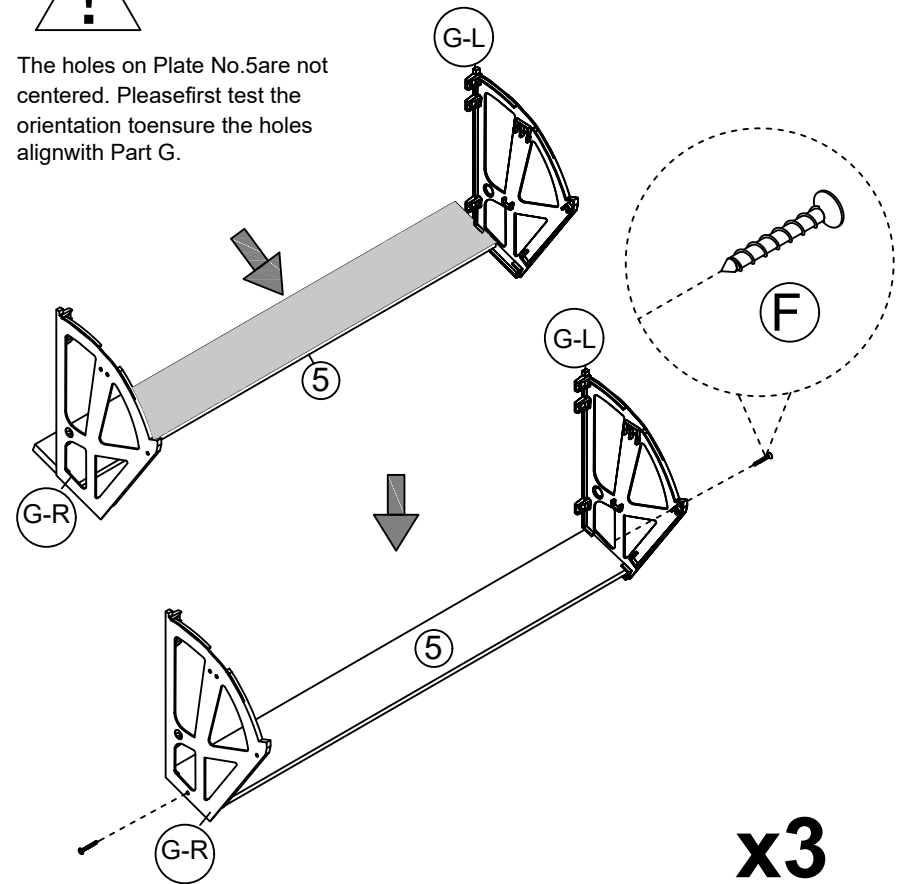


ⓐ	X3Set	ⓑ	X6
ⓒ	G-R G-L	ⓓ	⌀4*25

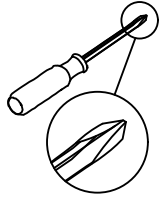
First insert panel (5) into fitting (G), then secure it with screw (F).



The holes on Plate No.5 are not centered. Please first test the orientation to ensure the holes align with Part G.

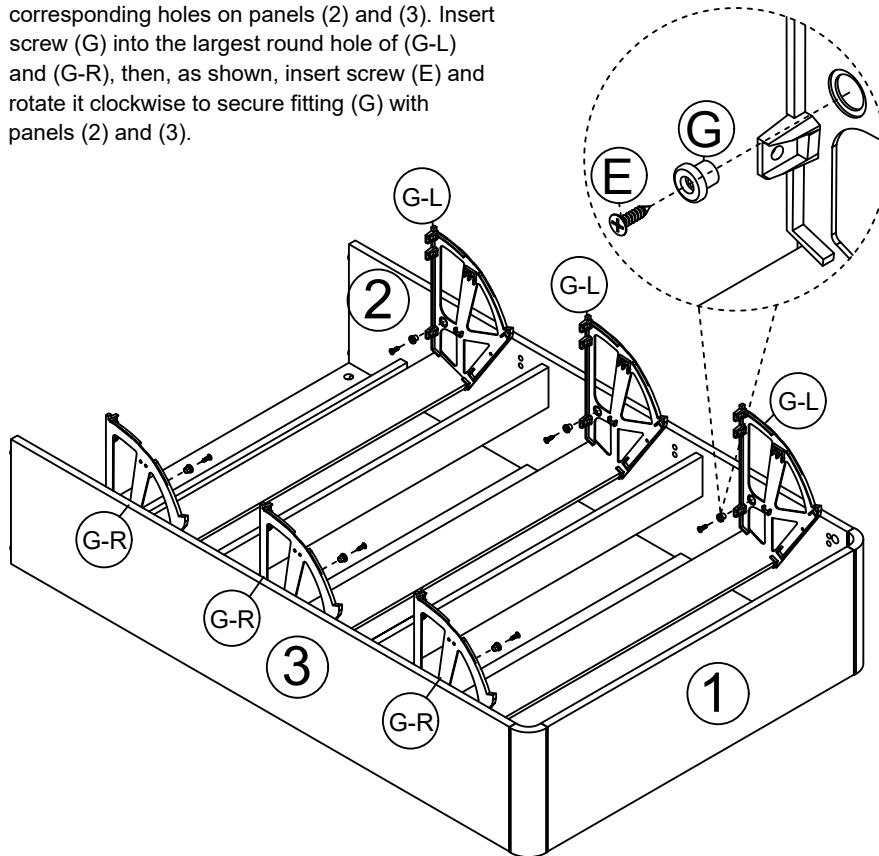


Step 10

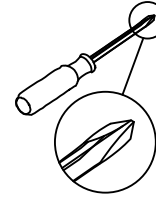


Ⓒ	X3Set	Ⓔ	X6
G-L	Small		
		ø3.5*14	

Align fittings (G-L) and (G-R) with the corresponding holes on panels (2) and (3). Insert screw (G) into the largest round hole of (G-L) and (G-R), then, as shown, insert screw (E) and rotate it clockwise to secure fitting (G) with panels (2) and (3).

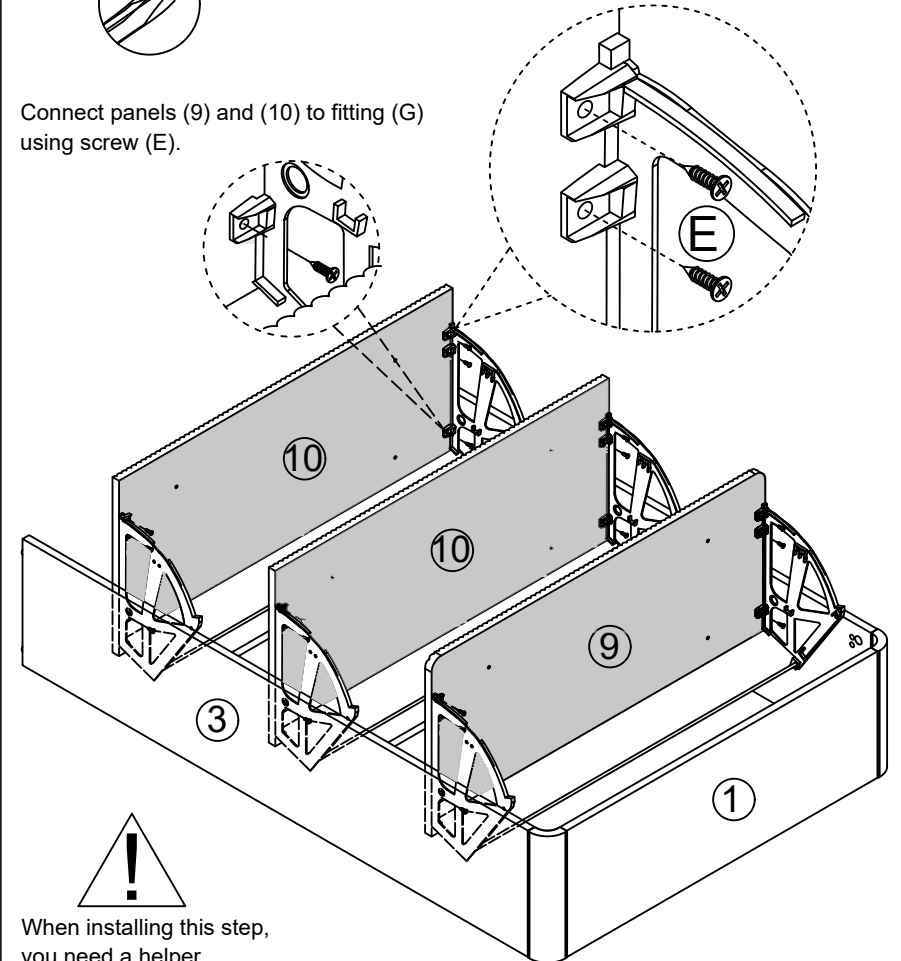


Step 11



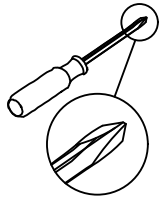
Ⓔ	X18
ø3.5*14	

Connect panels (9) and (10) to fitting (G) using screw (E).



When installing this step, you need a helper.

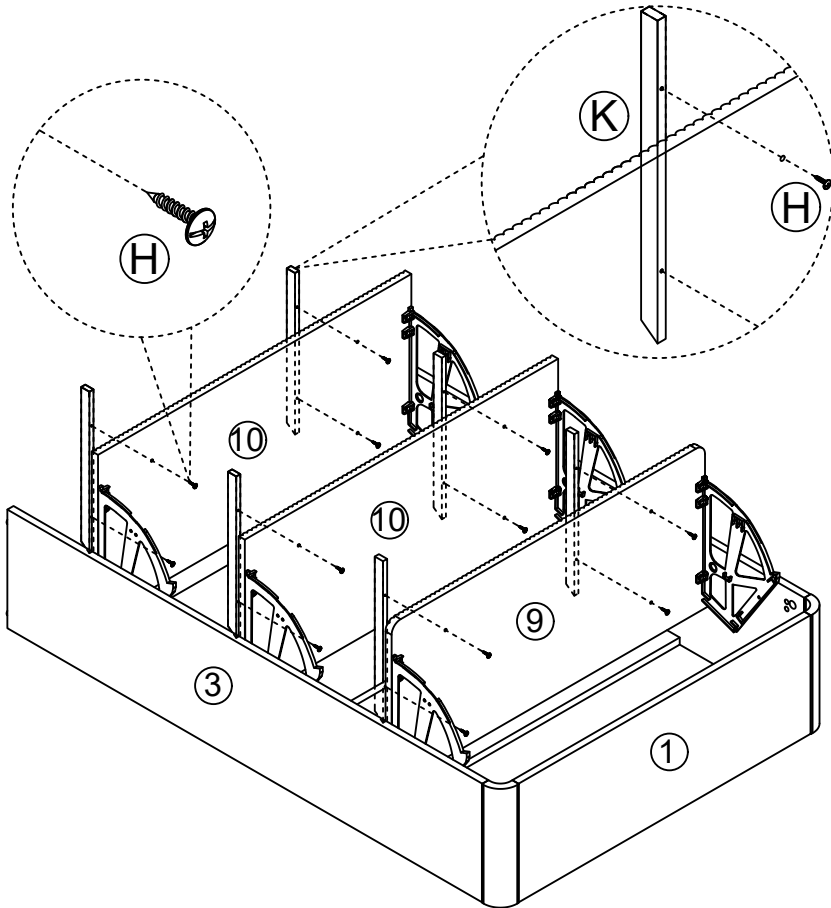
Step 12



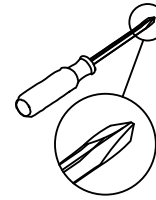
(H)	X12
∅4*25	

(K)	X6
340*20*10	

Use screw (H) to attach handle (K) to panels (9) and (10).

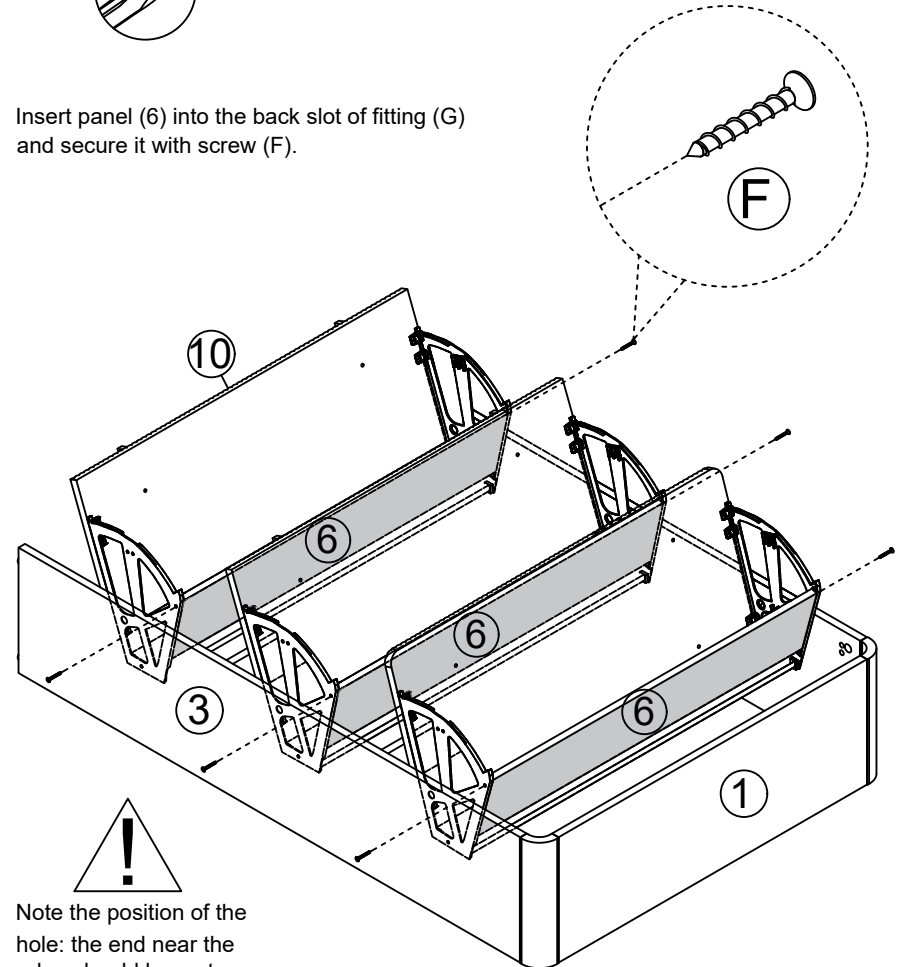


Step 13

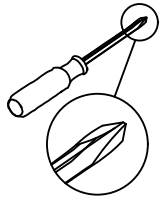



(F)	X6
∅4*25	

Insert panel (6) into the back slot of fitting (G) and secure it with screw (F).

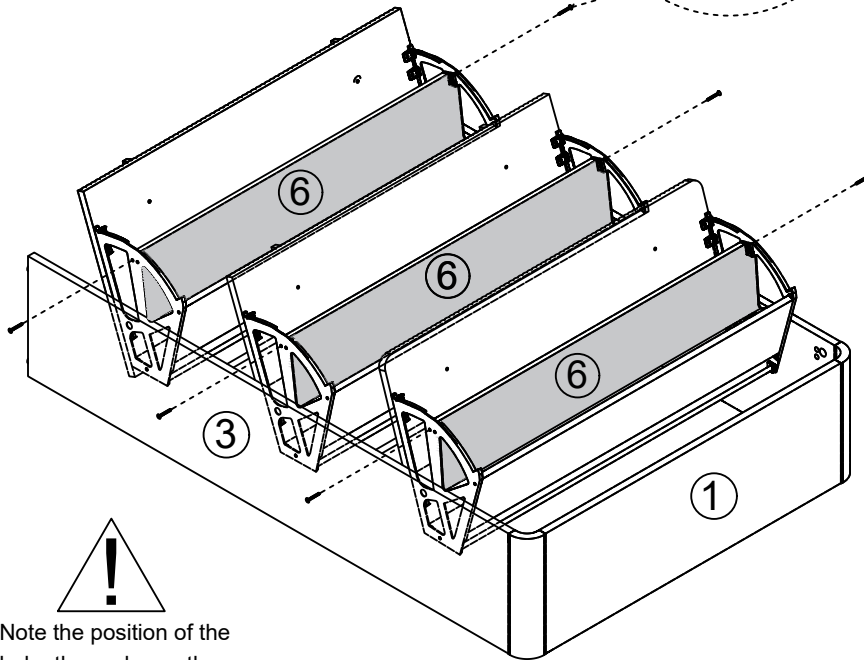
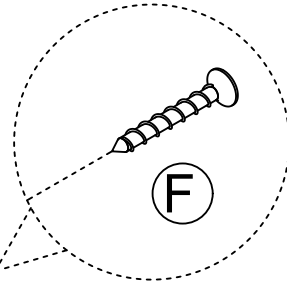


Step 14



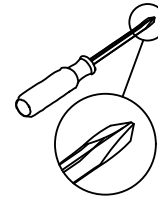
F	X6
	
ø4*25	


Insert panel (6) into the middle slot of fitting (G) and secure it with screw (F).



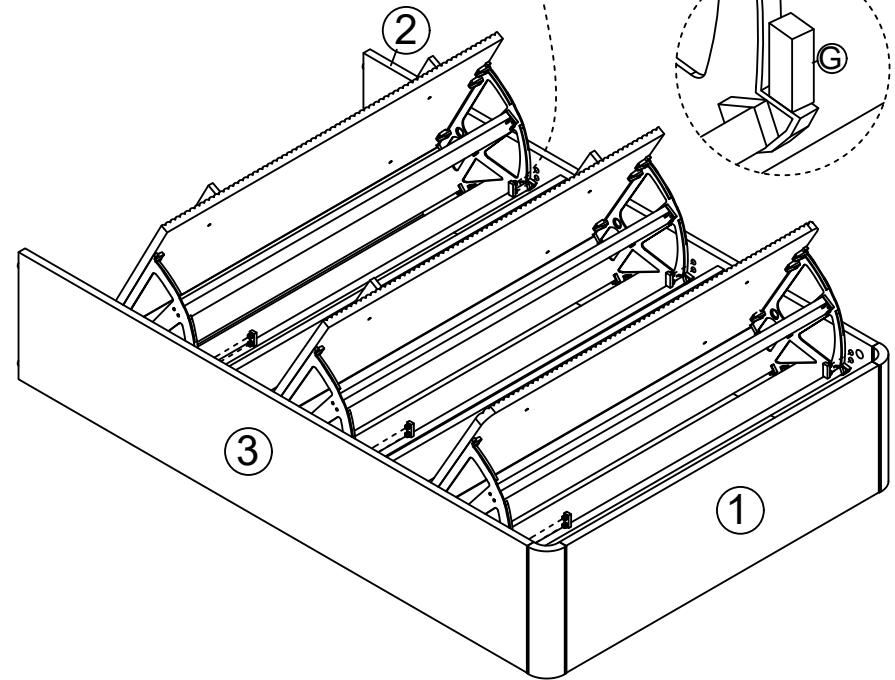
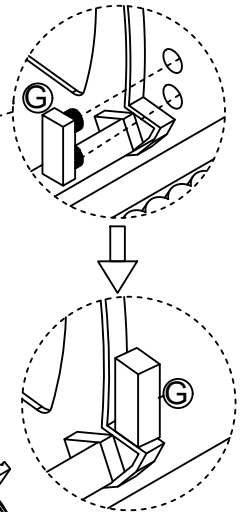
Note the position of the hole: the end near the edge should be on top.

Step 15



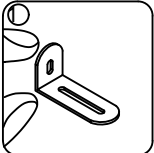
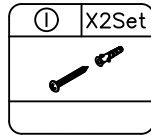
G	X3Set
	

Insert part (G) into the corresponding holes of panels (2) and (3) to block the rear ends of (G-L) and (G-R).

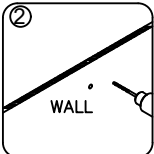


Step 16

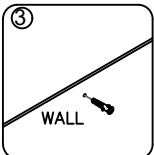
Install the tipping restraint hard ware



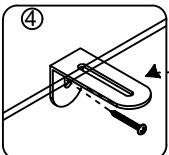
1. Mark the wall.



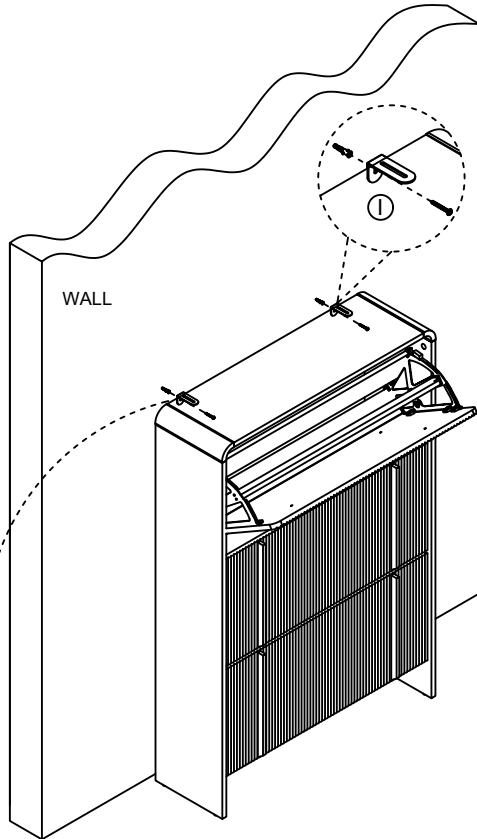
2. Drill two holes of diameter (6) in the wall.



3. Place two anchors into the holes.



4. Use long screws to secure the fitting to the wall.



⚠ WARNING



Children have died from furniture tipover.

To reduce the risk of furniture tipover:

- ALWAYS install tipover restraint provided.
- NEVER put a TV on this product.
- NEVER allow children to stand, climb or hang on drawers, doors, or shelves.
- NEVER open more than one drawer at a time.
- Place heaviest items in the lowest drawers.

This is a permanent label. Do not remove!

