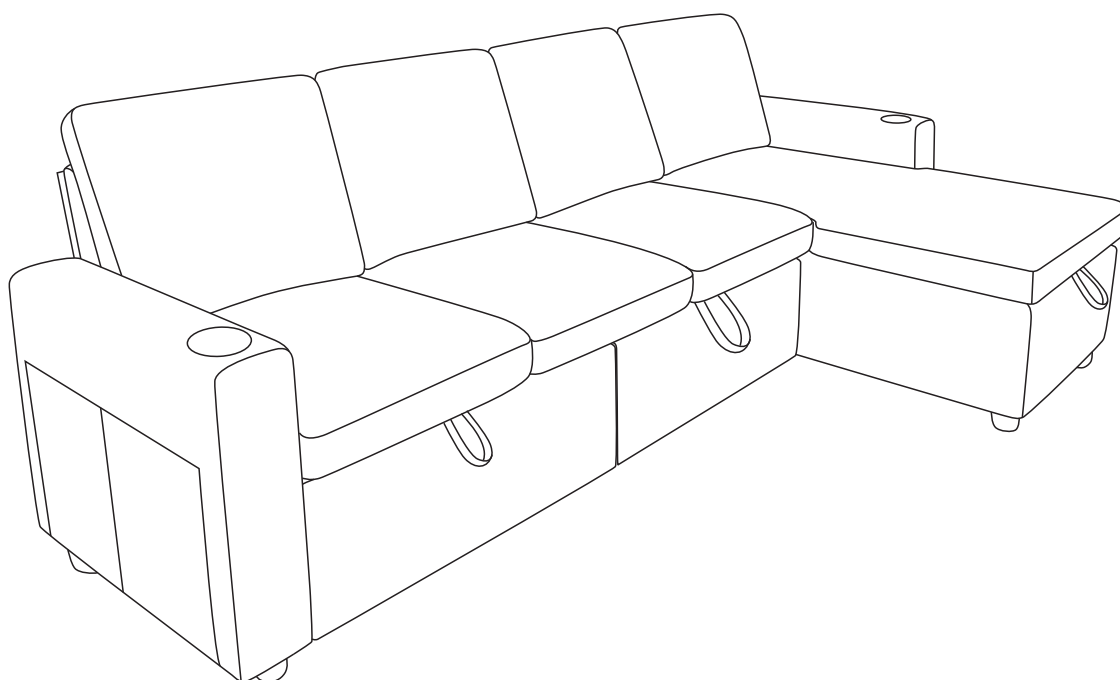
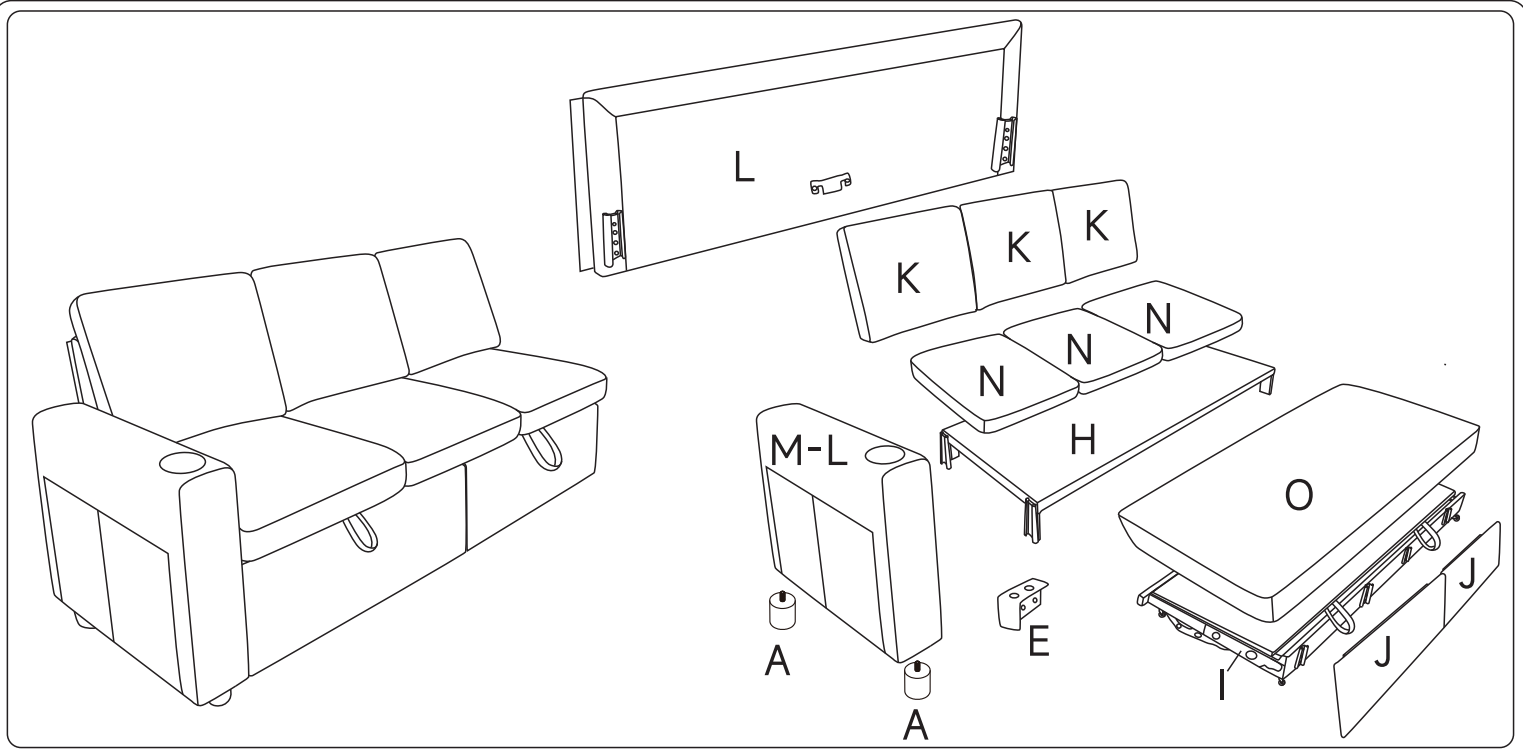


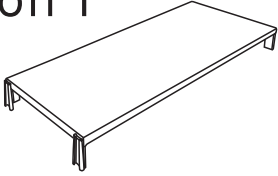
# Installation & Assembly



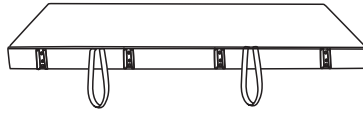
# Components List



## Carton 1



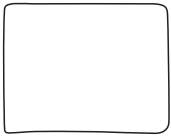
H X1



I X1

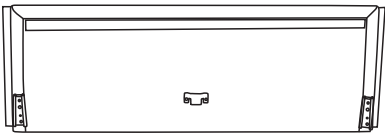


J X2

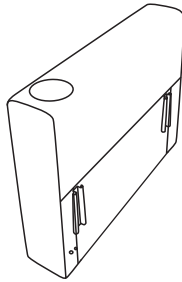


K X2

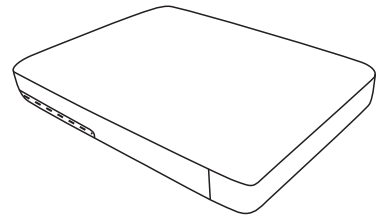
## Carton 2



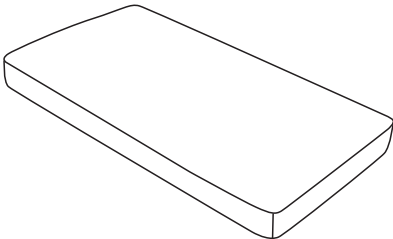
L X1



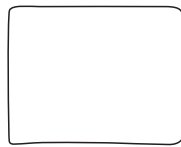
M-L X1



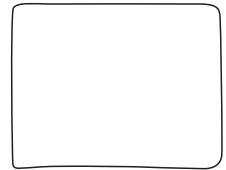
N X2



O X1

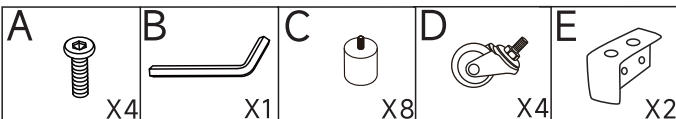


K X1

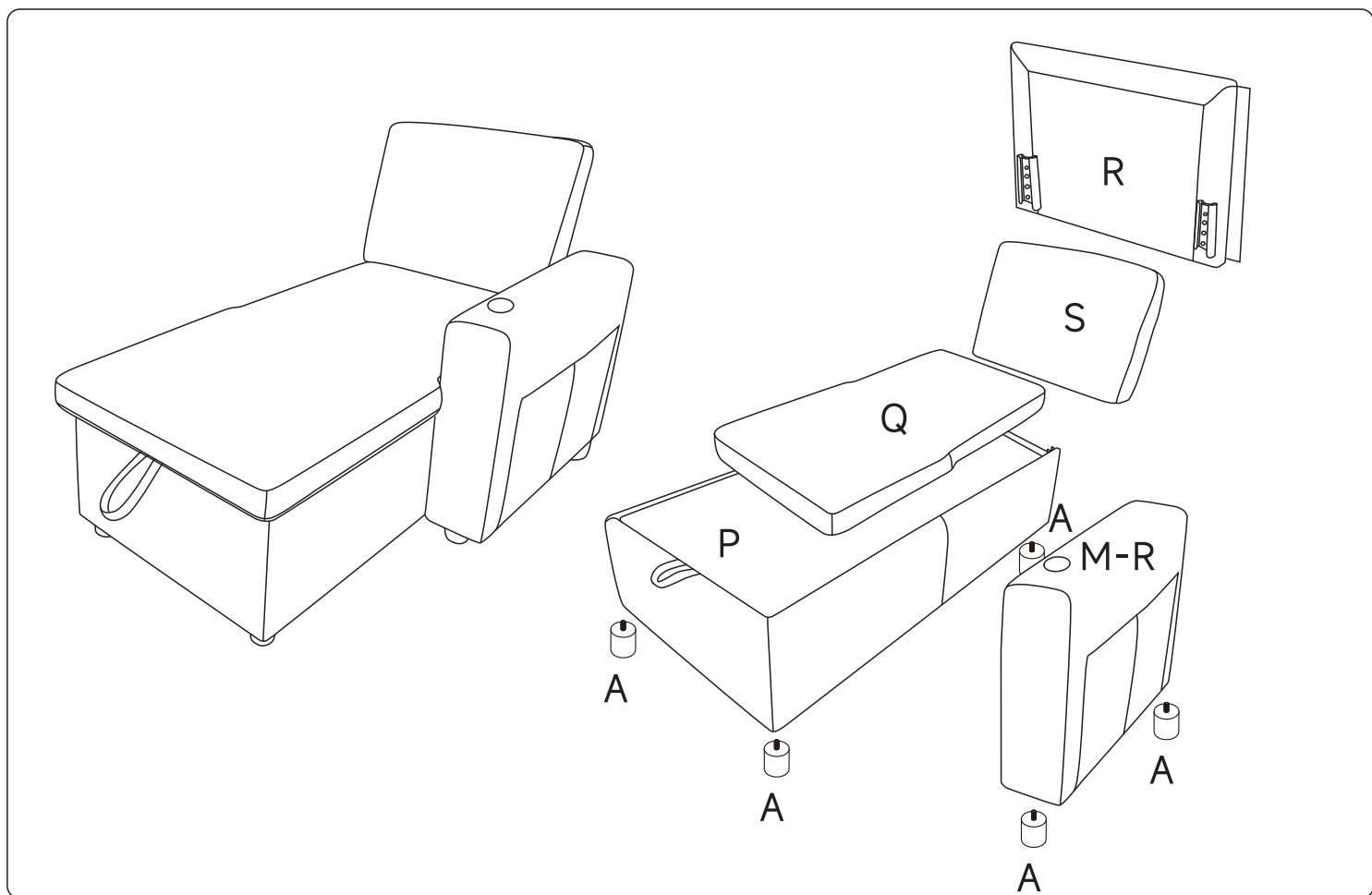


S X1

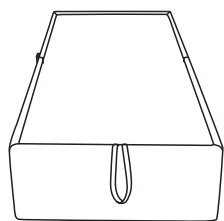
## Hardware List



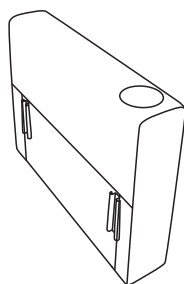
# Components List



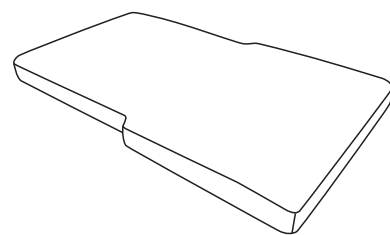
## Carton 3



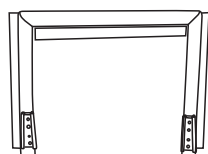
P X1



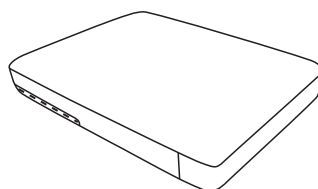
M-R X1



Q X1


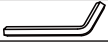





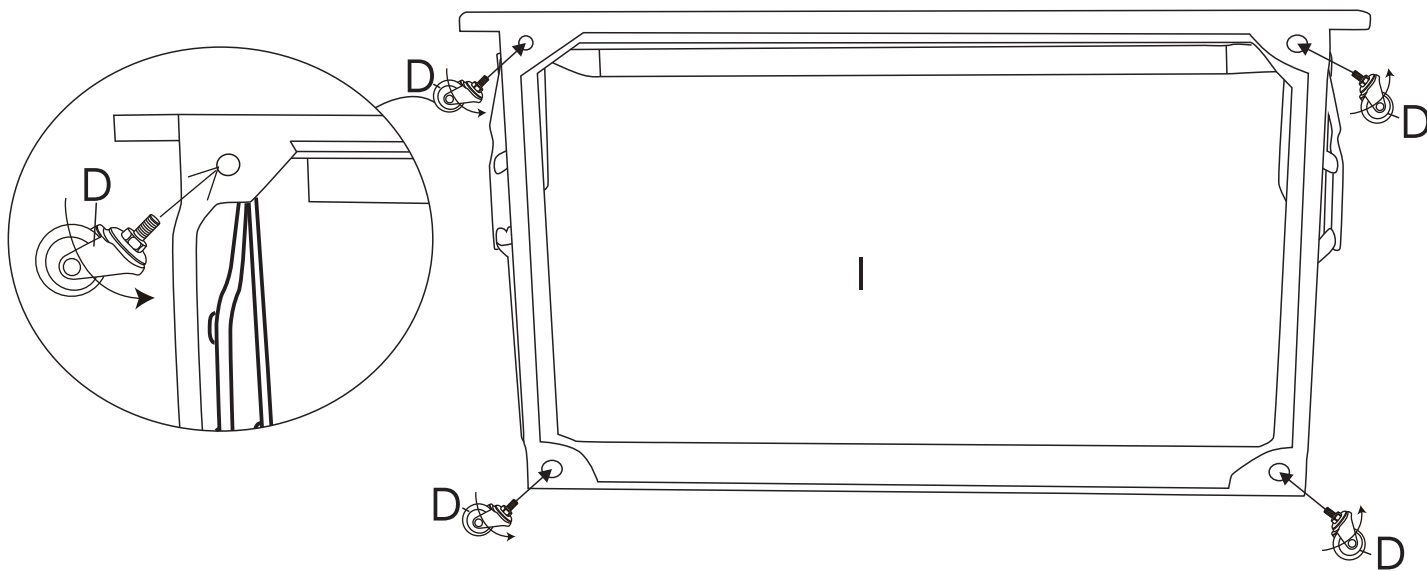
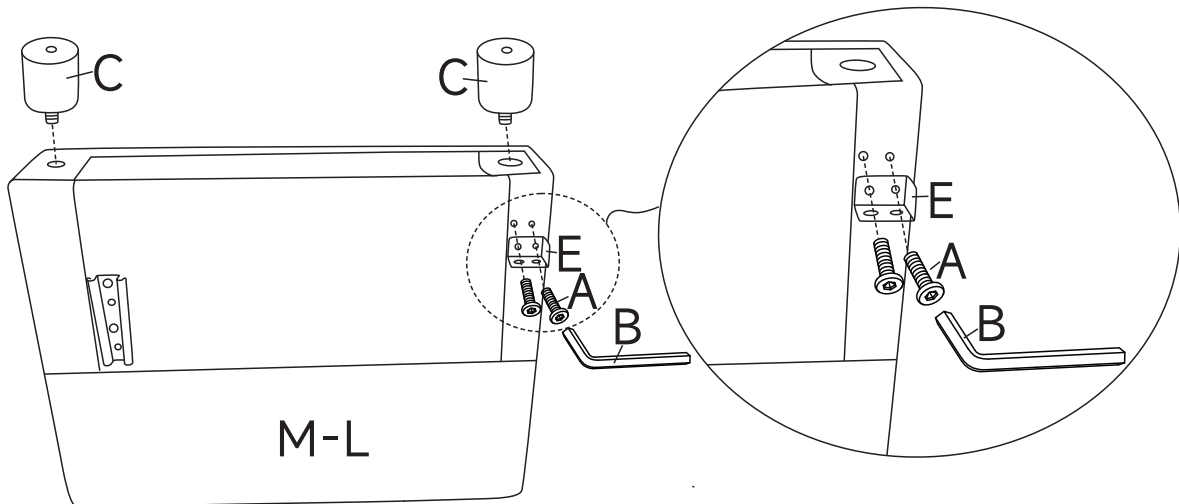
R X1



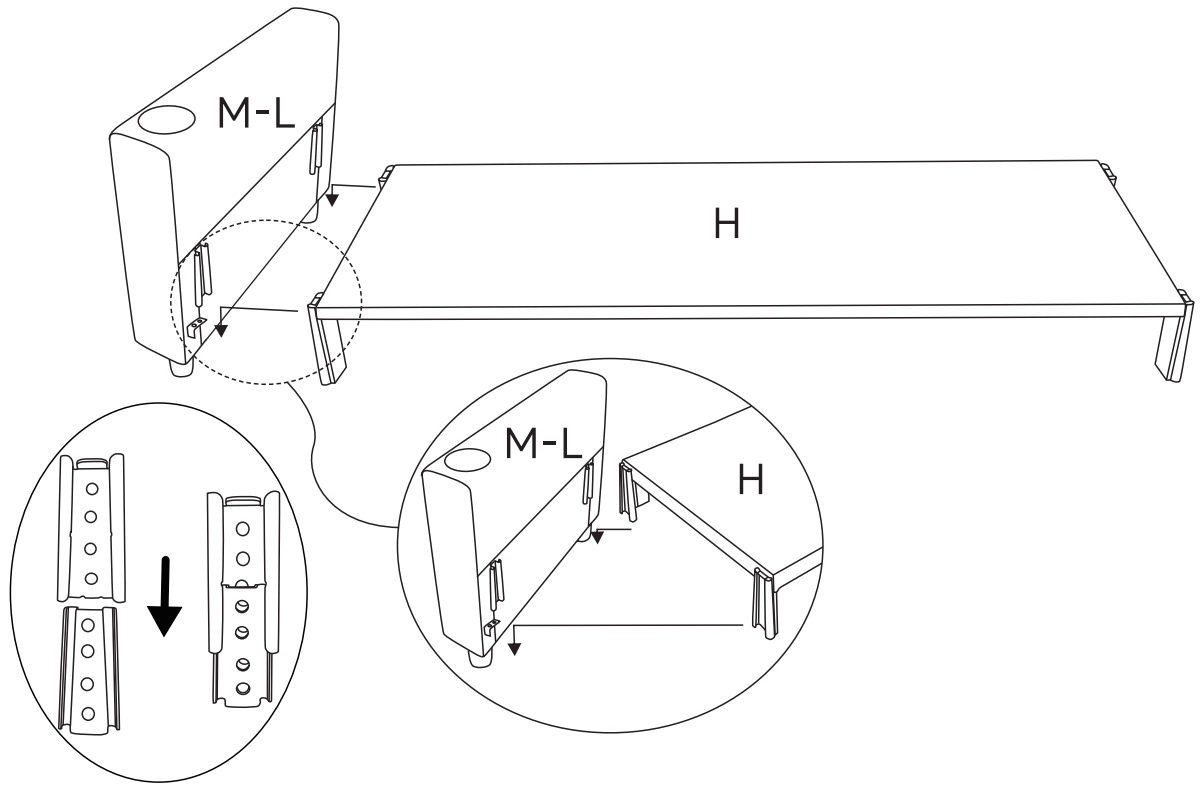
N X1

# STEP 1

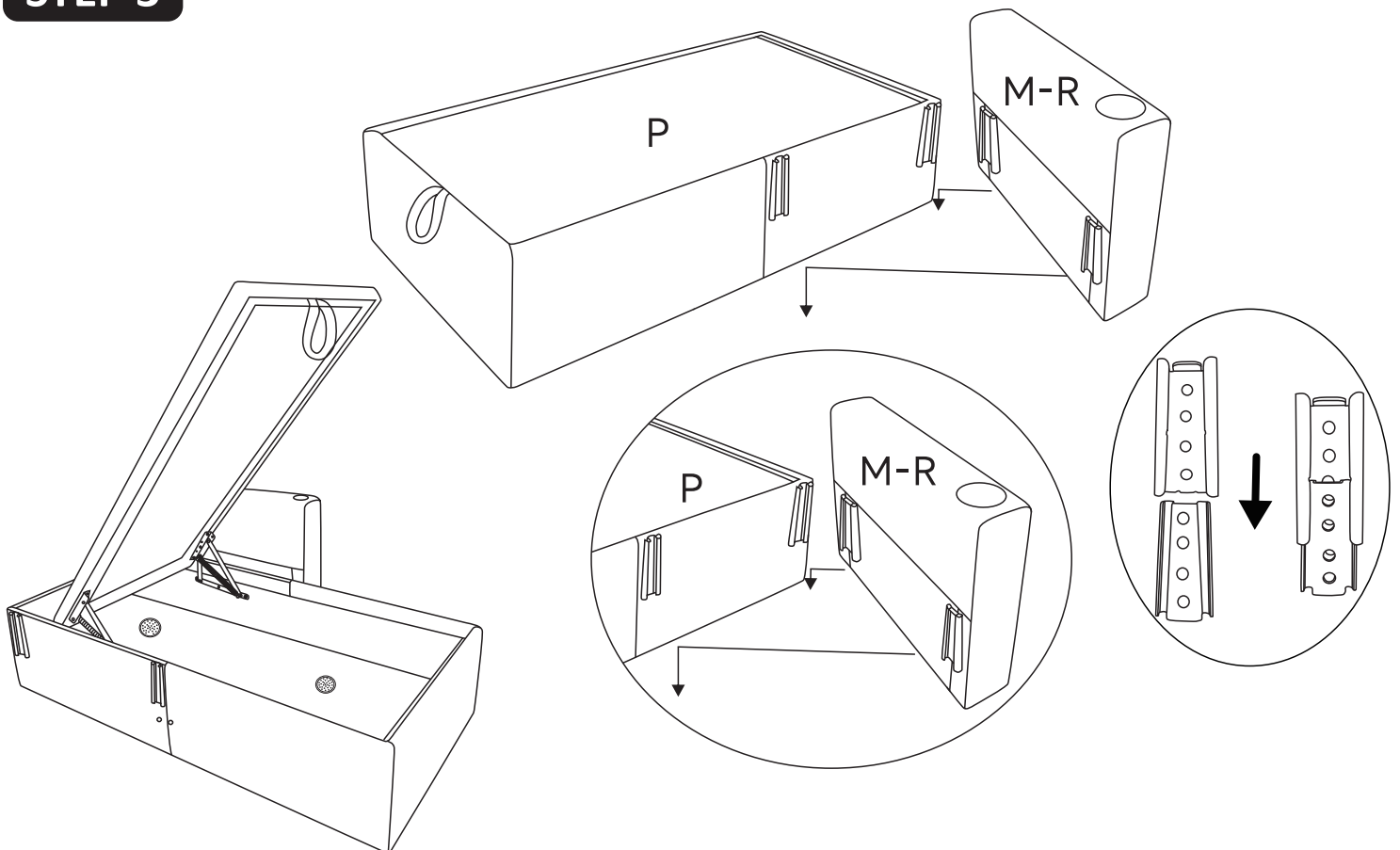
	Ax2
	Bx1
	Cx2
	Dx4
	Ex2



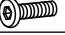



**STEP 2**

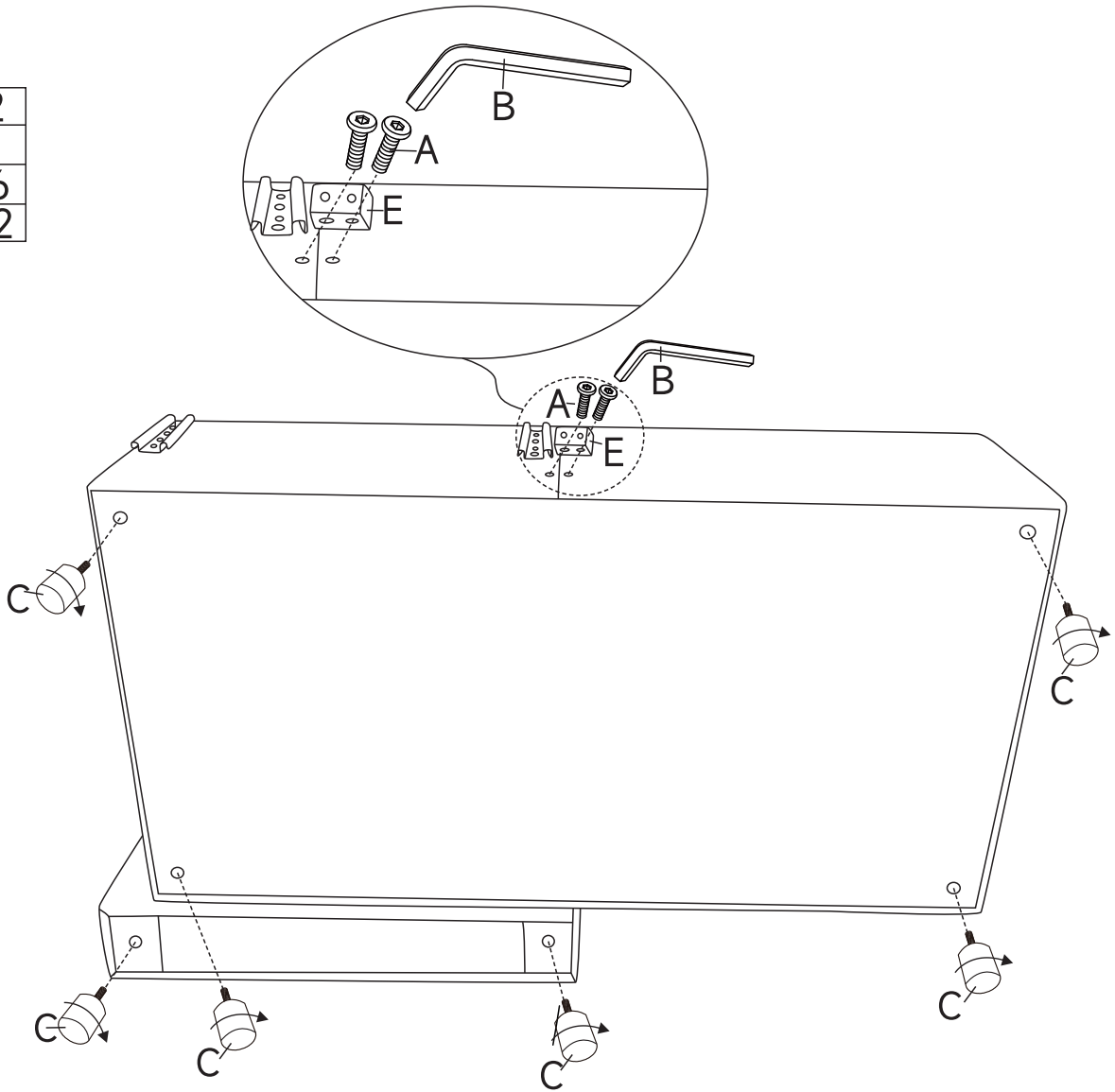


**STEP 3**

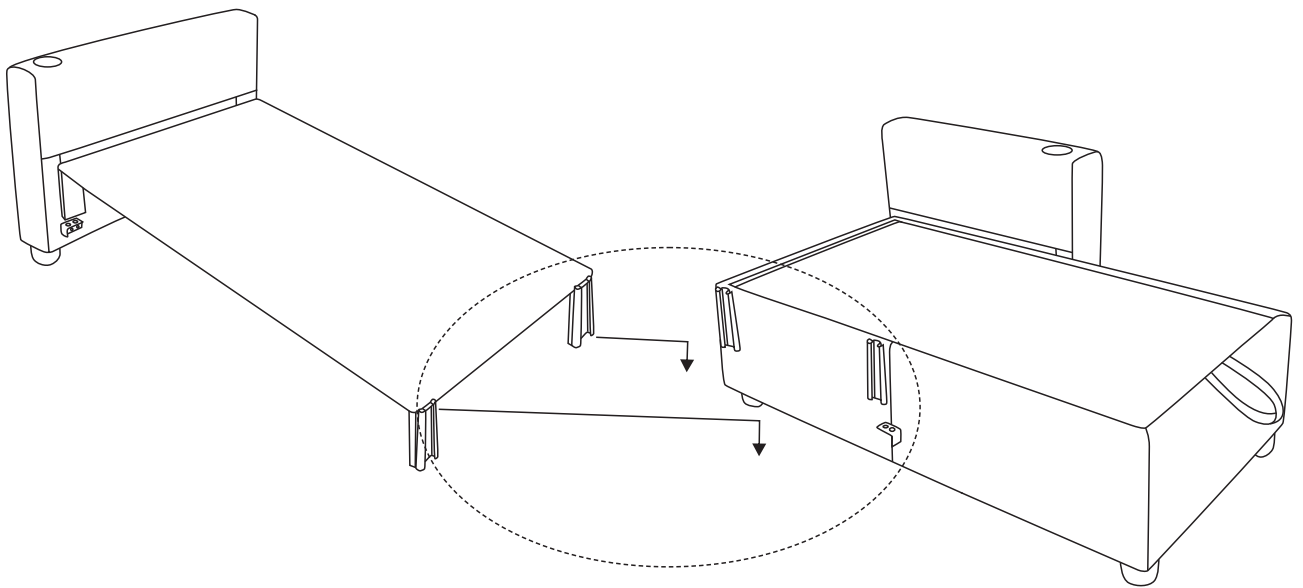


# STEP 4

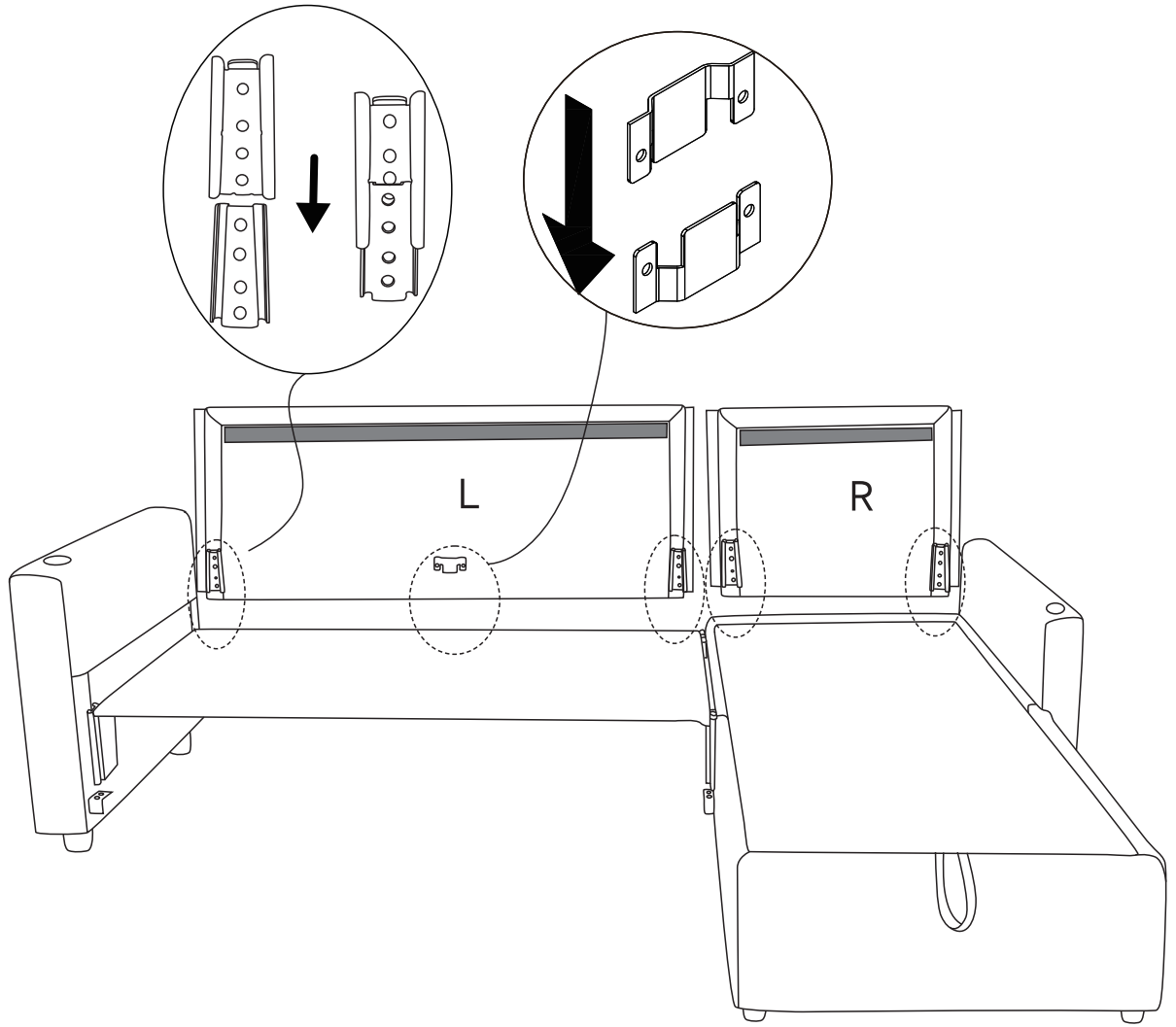
	Ax2
	Bx1
	Cx6
	Ex2



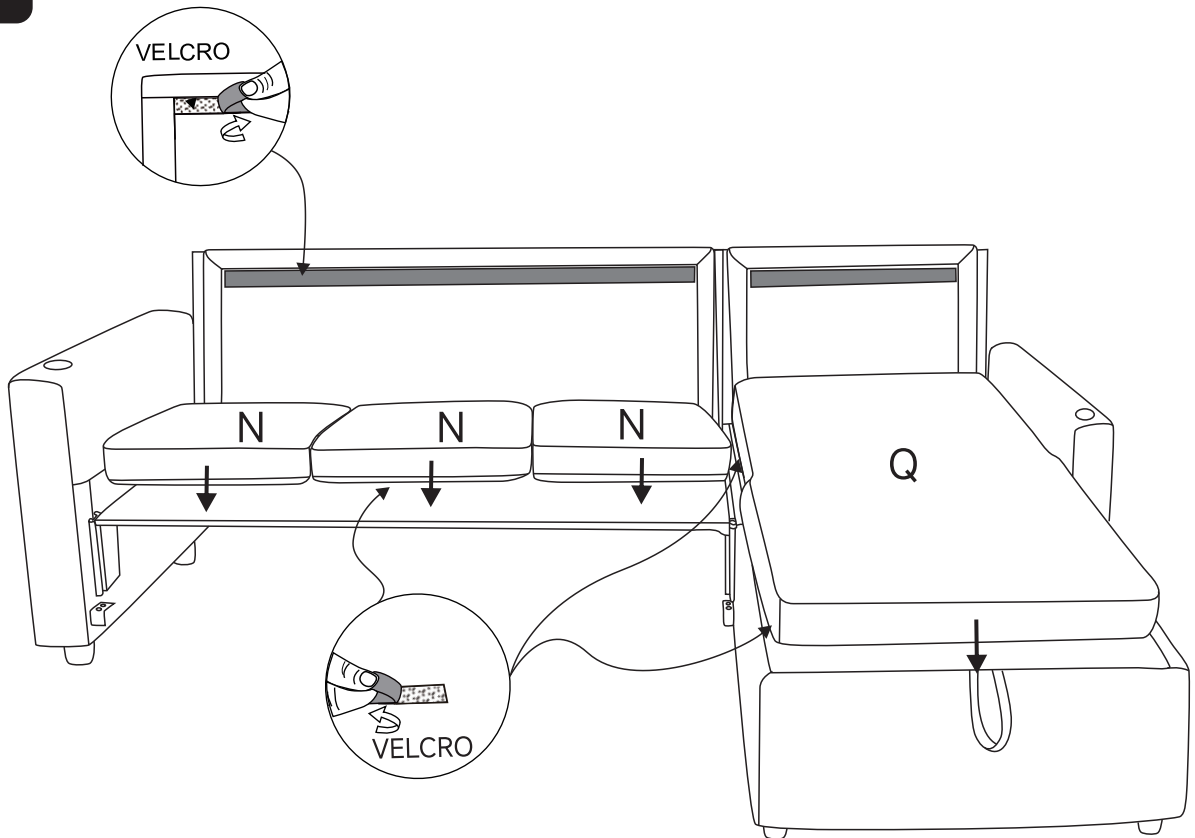
# STEP 5



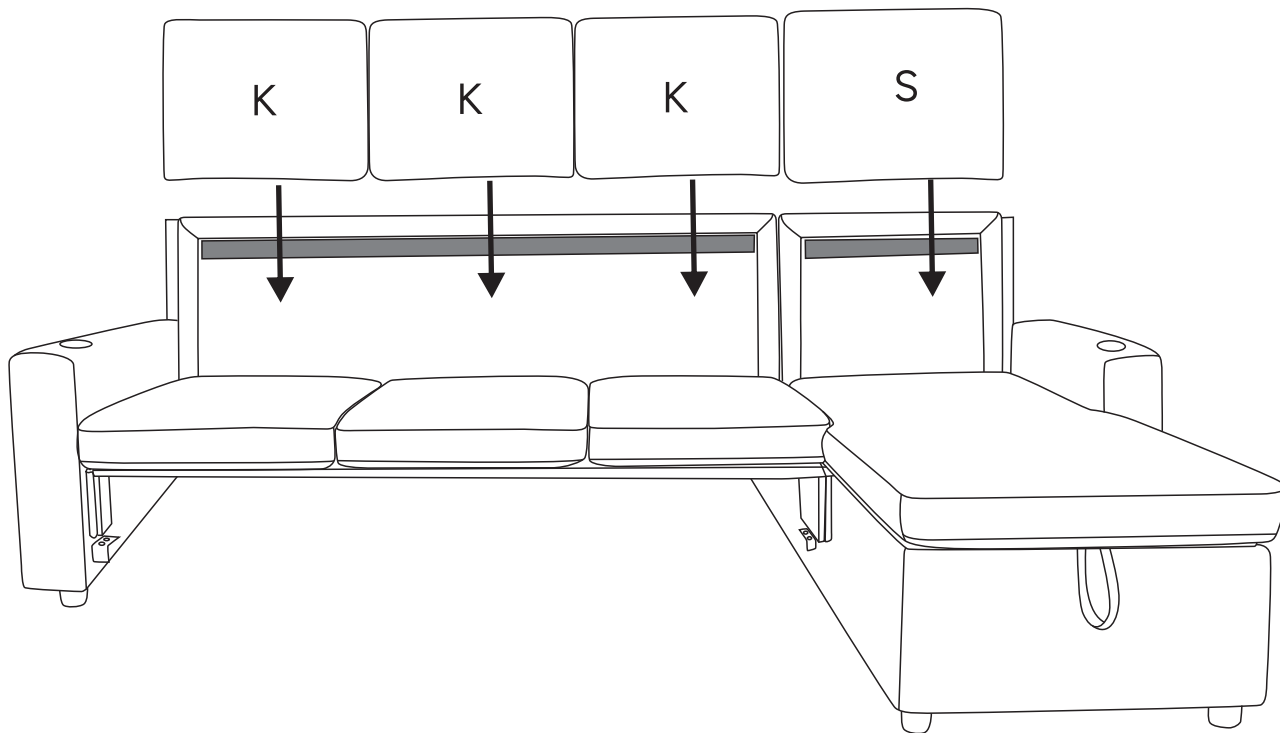
**STEP 6**



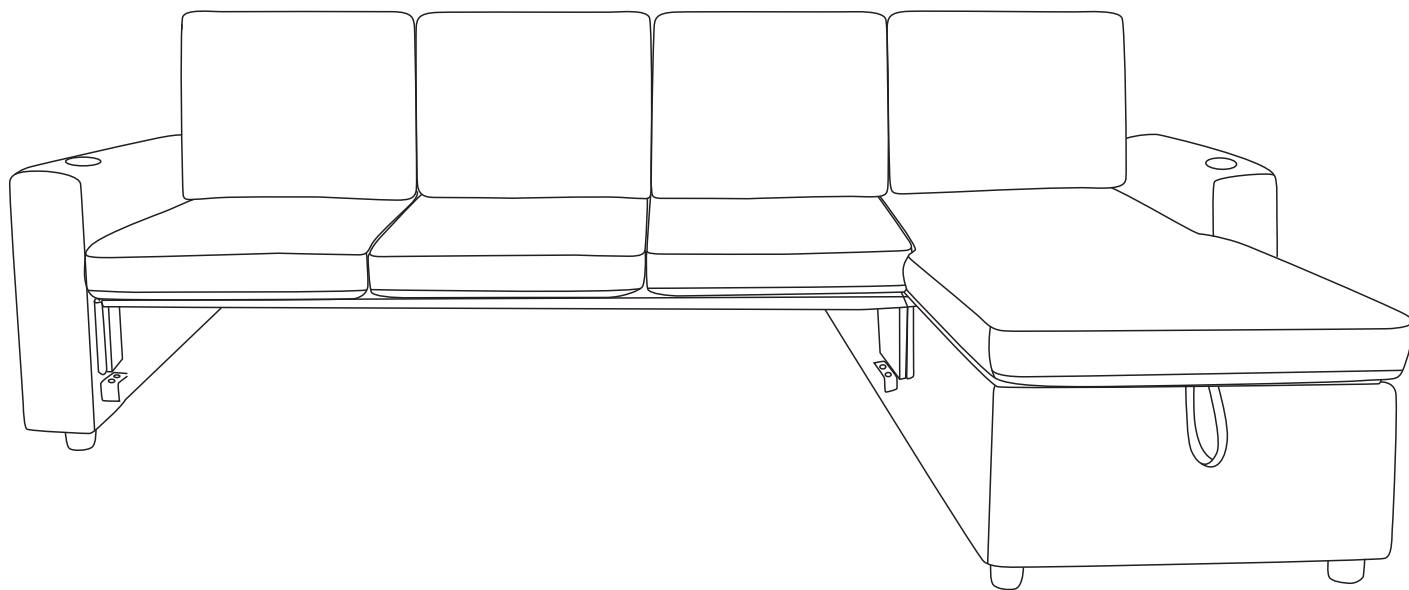
**STEP 7**



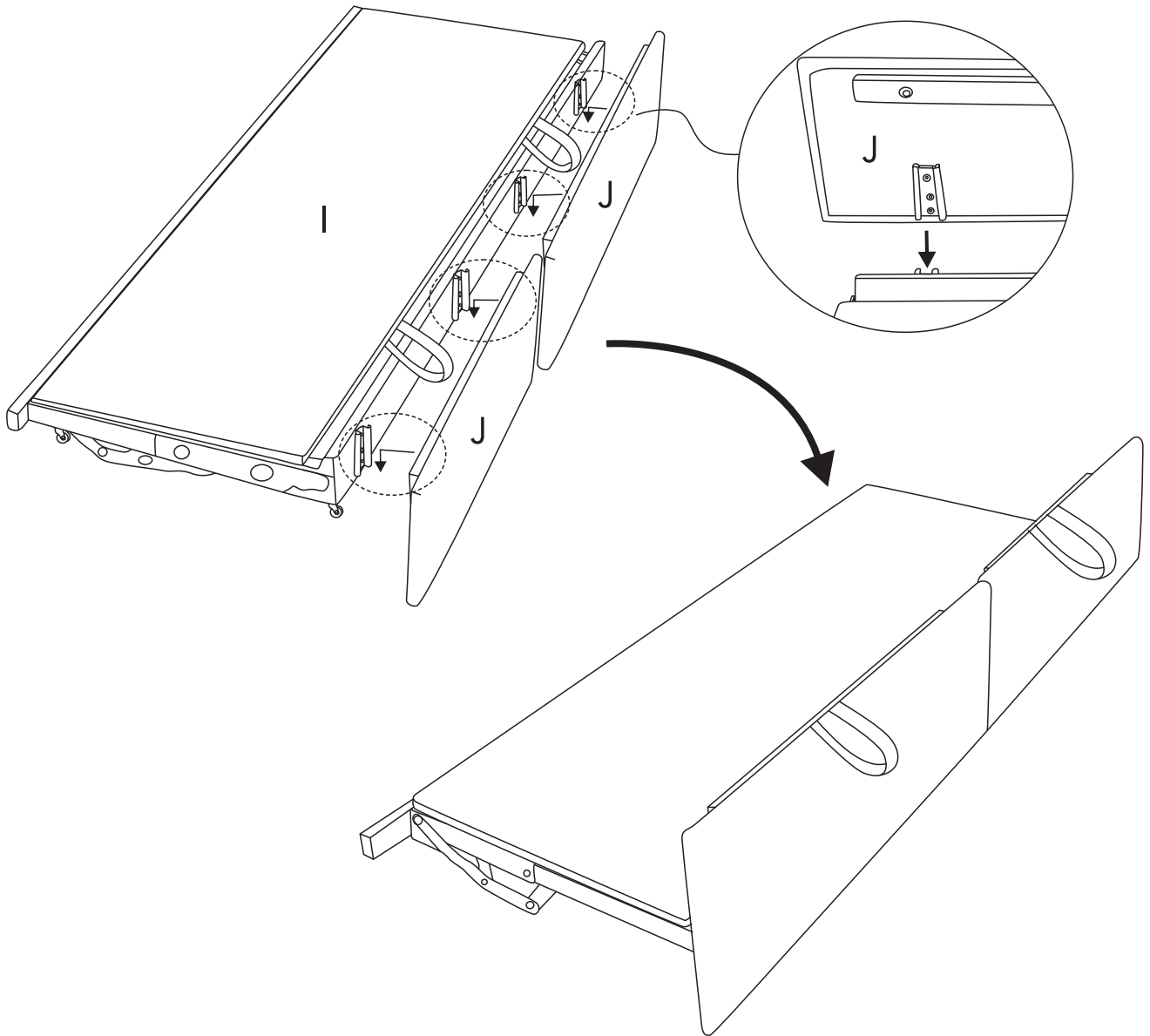
**STEP 8**



**STEP 9**



**STEP 10**



# STEP 11

