



Item No: TD-0095A
 Teamson Kids - 18" Doll
 Furniture-Double Bunk Bed

WARNING:

Small parts and sharp points may be present prior to assembly.

Care Instructions

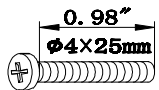
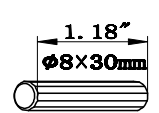
To clean your product, use mild soap and water on a damp cloth. Do not use window cleaners or cleaning abrasives as they will scratch the surface and could damage the protective coating.

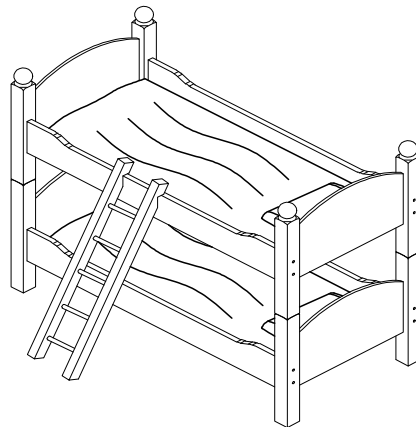
Customer Service

For questions regarding this product, or to receive replacement or missing parts, please contact customer service based on your location. Please have ready the model number and part number(s) located in this assembly instruction sheet when you contact us.

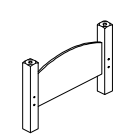
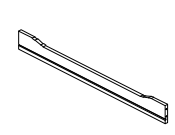
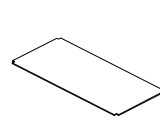
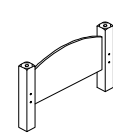
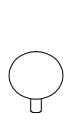
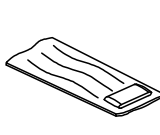
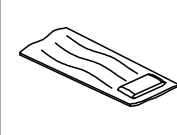
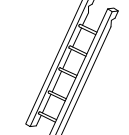
www.teamsonkids.com

HARDWARE :

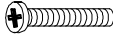
- ①  **16PCS**
- ②  **4PCS**

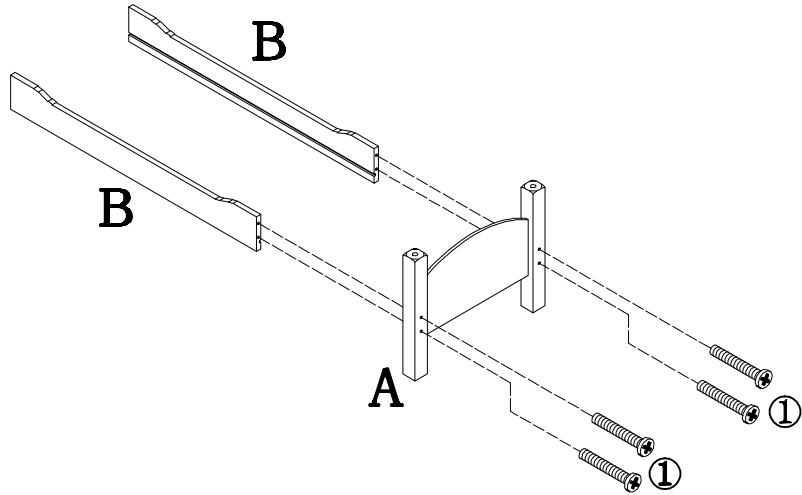


PRODUCT PARTS :

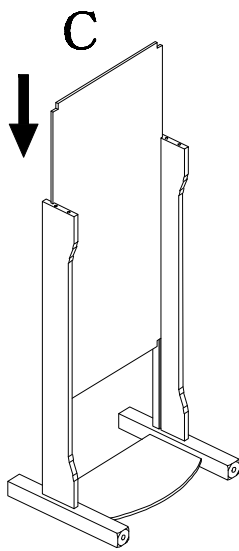
A	B	C	D	E	F
					
2PCS	4PCS	2PCS	2PCS	8PCS	1SET
G	H				
					
1SET	1SET				

Step 1

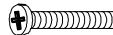
①  4PCS
Ø4x25mm

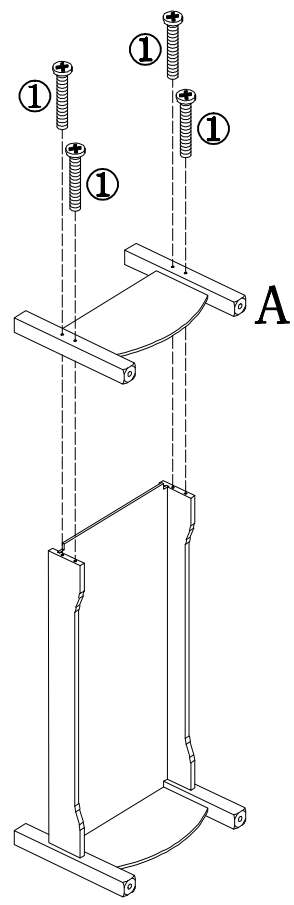


Step 2

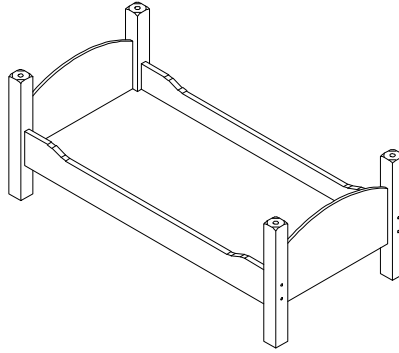


Step 3

①  4PCS
Ø4x25mm

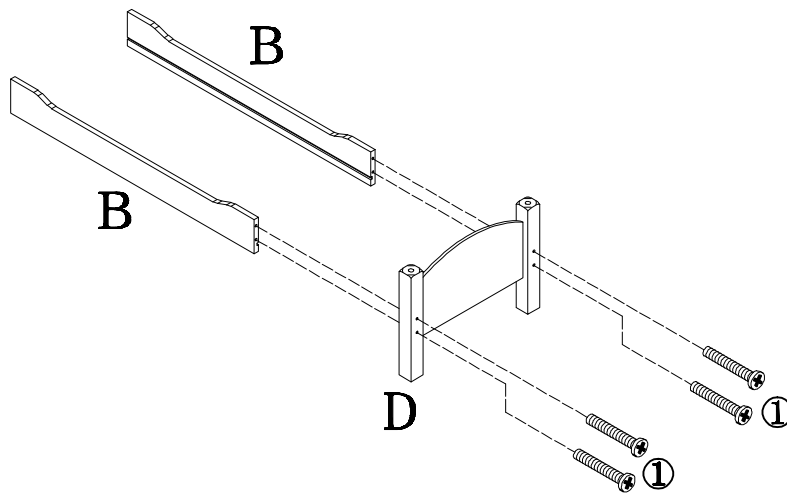


Step 4

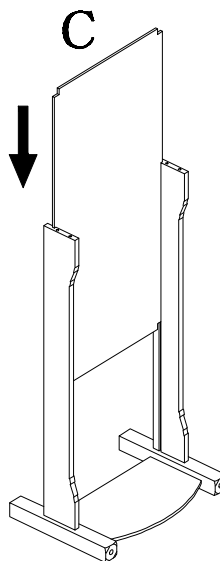


Step 5

①  4PCS
Ø4x25mm

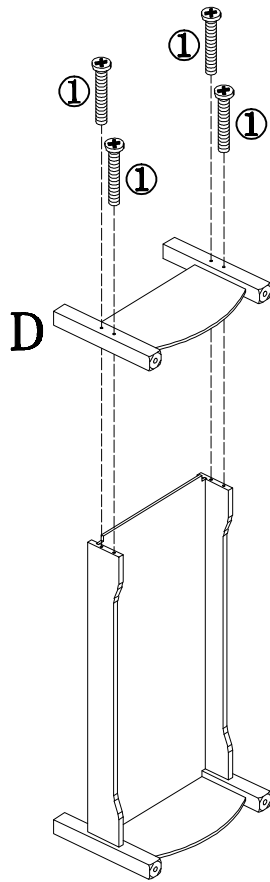


Step 6

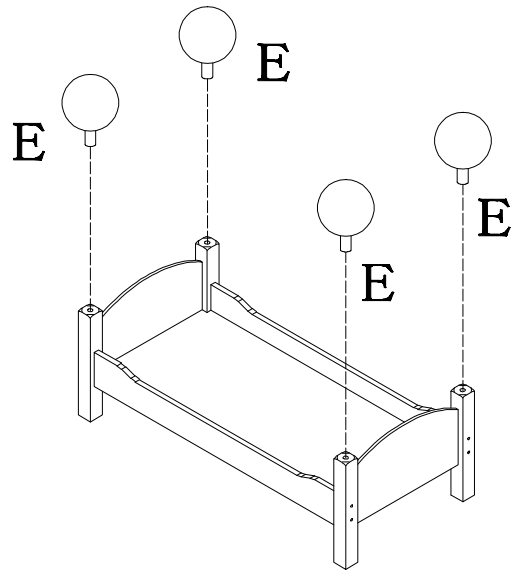


Step 7

①  4PCS
Ø4X25mm

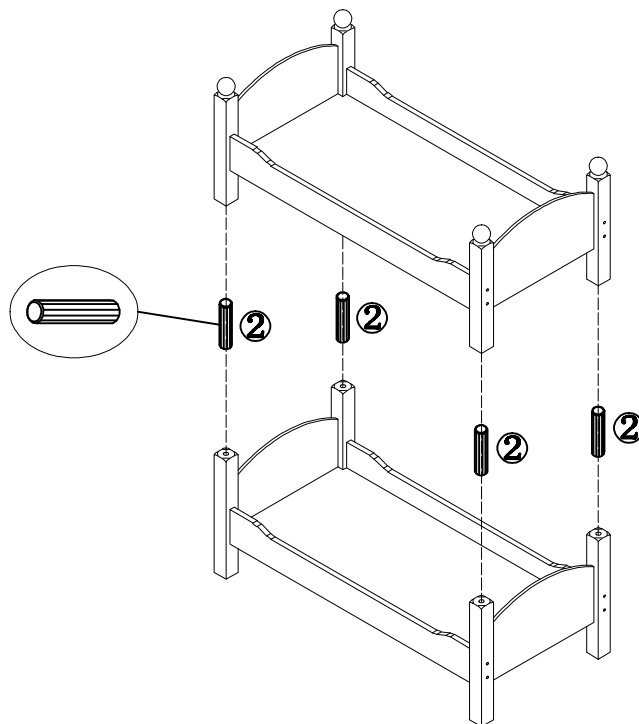


Step 8

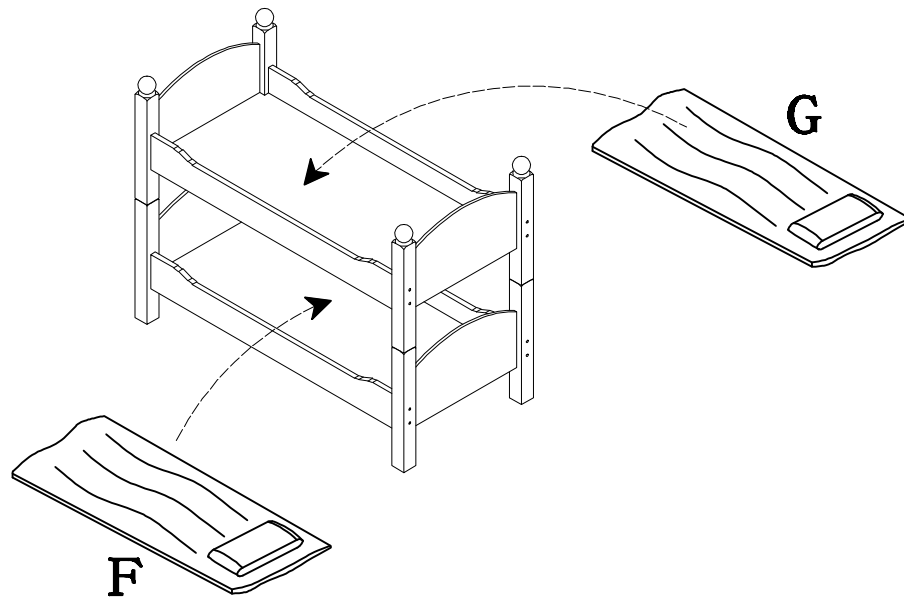


Step 9

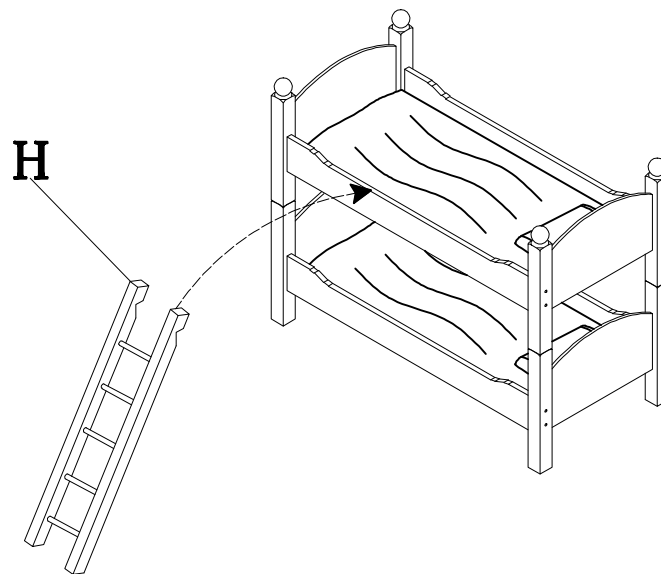
②  4PCS
Ø8X30mm



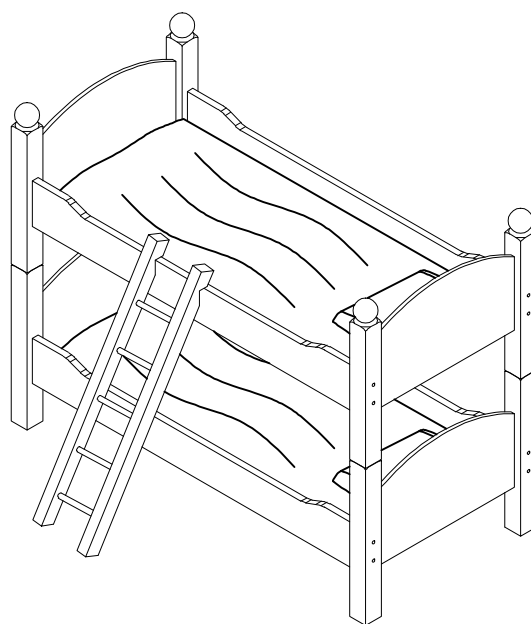
Step 10



Step 11



Step 12



MADE IN CHINA