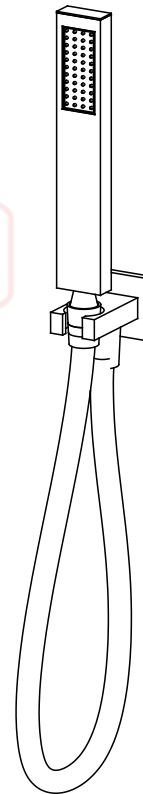
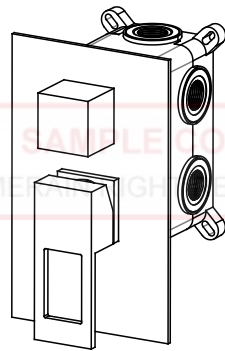
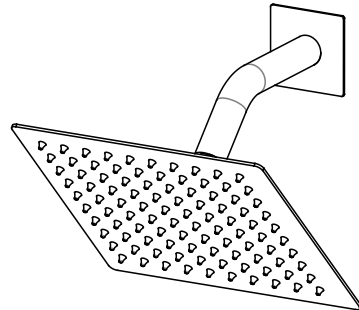


**DATASHEET AND MEASUREMENT**



**SHOWER SYSTEM**

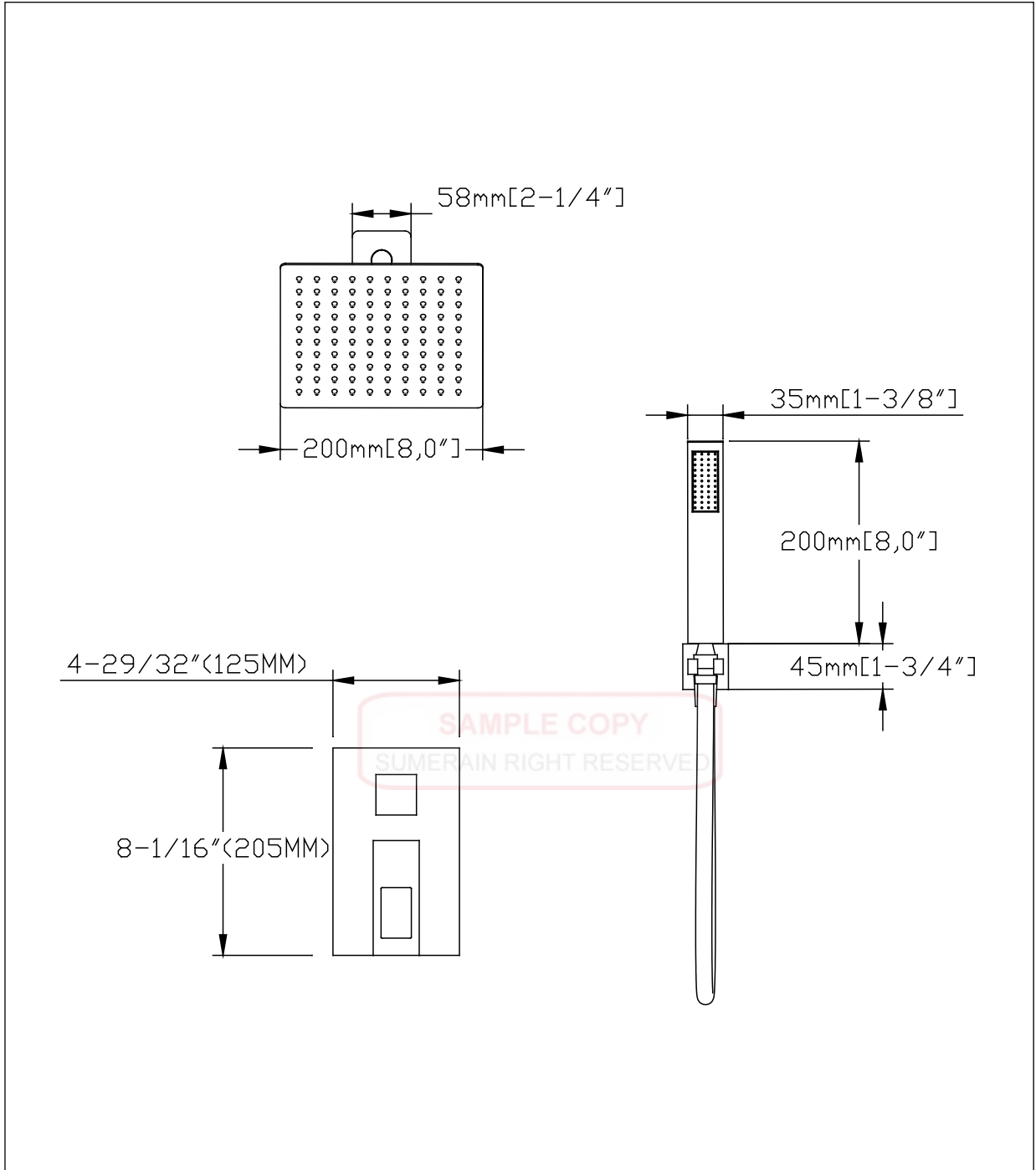
MODEL	FINISH
S3218CIA	CHROME
S3218NIA	NICKEL
S3218DIA	MATTE BLACK

## FUNCTIONS AND SPECIFICATION

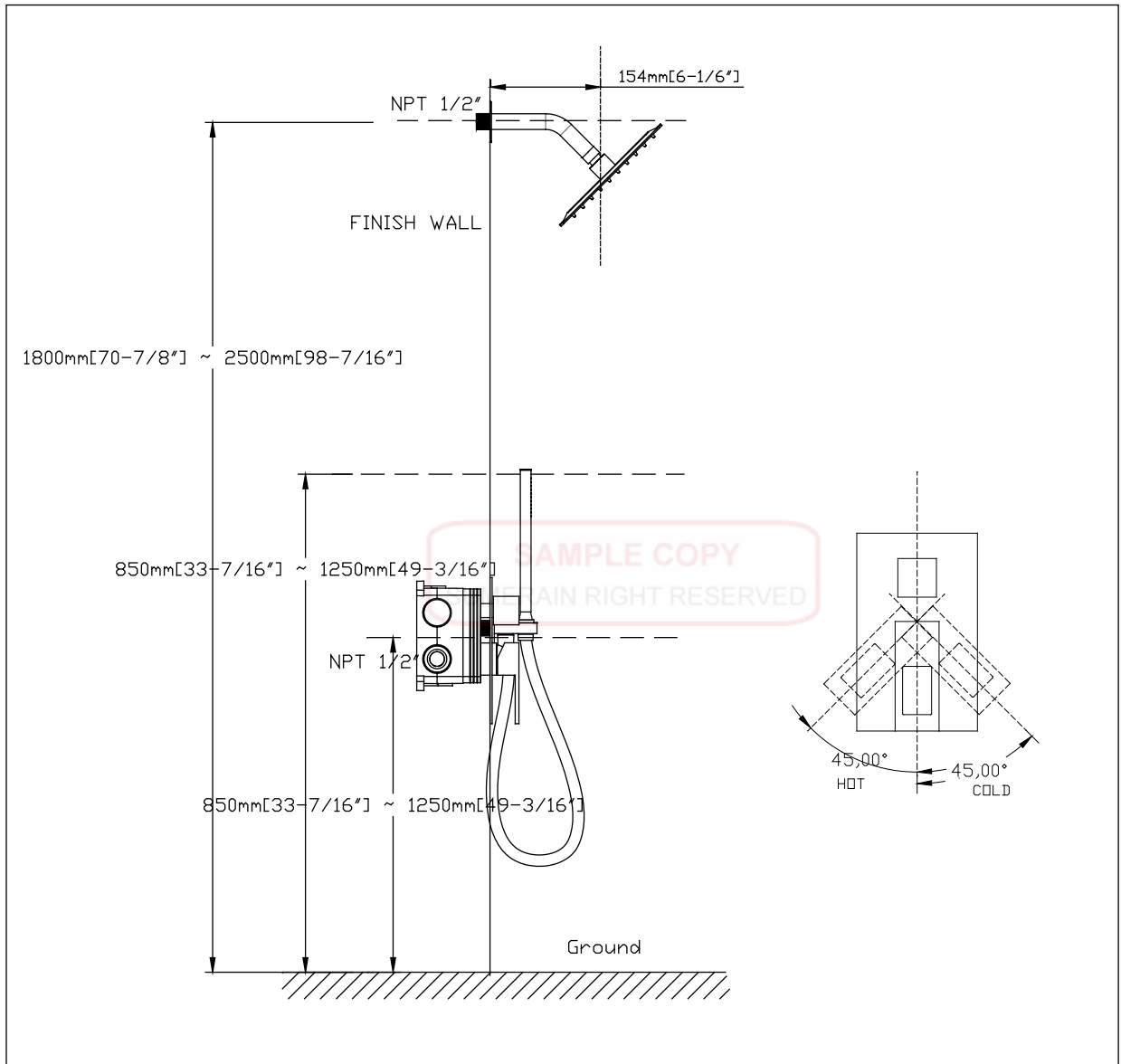
<b>Faucet type</b>	Shower System
<b>Feature</b>	Concealed shower faucet
<b>Theme</b>	Modern, Contemporary
<b>Mounting type</b>	Wall mount
<b>Number of Handles</b>	One
<b>Handles Material</b>	Metal
<b>Handle style</b>	Lever
<b>Shower Arm Reach</b>	154mm [6-1/6 Inch]
<b>Showerhead Width</b>	195mm [7-11/16 Inch]
<b>Showerhead Length</b>	195mm [7-11/16 Inch]
<b>Valve Type</b>	Φ 40 Ceramic Cartridge
<b>Faucet Body Material</b>	Brass
<b>Escutcheon Material</b>	Brass
<b>Diverter included</b>	Yes
<b>Diverter location</b>	Rough-in Valve
<b>Showerhead shape</b>	Ultra-thin Square
<b>Showerhead function</b>	Single function
<b>Showerhead Material</b>	Stainless steel
<b>Showerhead Flow rate</b>	6.81L/M [ 1.8 GPM ]
<b>Hand shower Flow rate</b>	4.54L/M [ 1.2 GPM ]
<b>Elbow Material</b>	Brass
<b>Hand shower holder Material</b>	Brass
<b>Hand shower Material</b>	Brass
<b>Hand shower Height</b>	200mm [7-7/8 Inch]
<b>Hand shower width</b>	35mm [1-3/8 Inch ]
<b>Net Weight</b>	8,37lbs [4.2KG]
<b>Gross Weight</b>	9,81lbs [4.45KG]
<b>Packing box [L x W x H]</b>	11-7/32"(285mm)x10-13/16"(275mm)x7-7/8"(200mm)

SAMPLE COPY  
 SUMERAIN RIGHT RESERVED

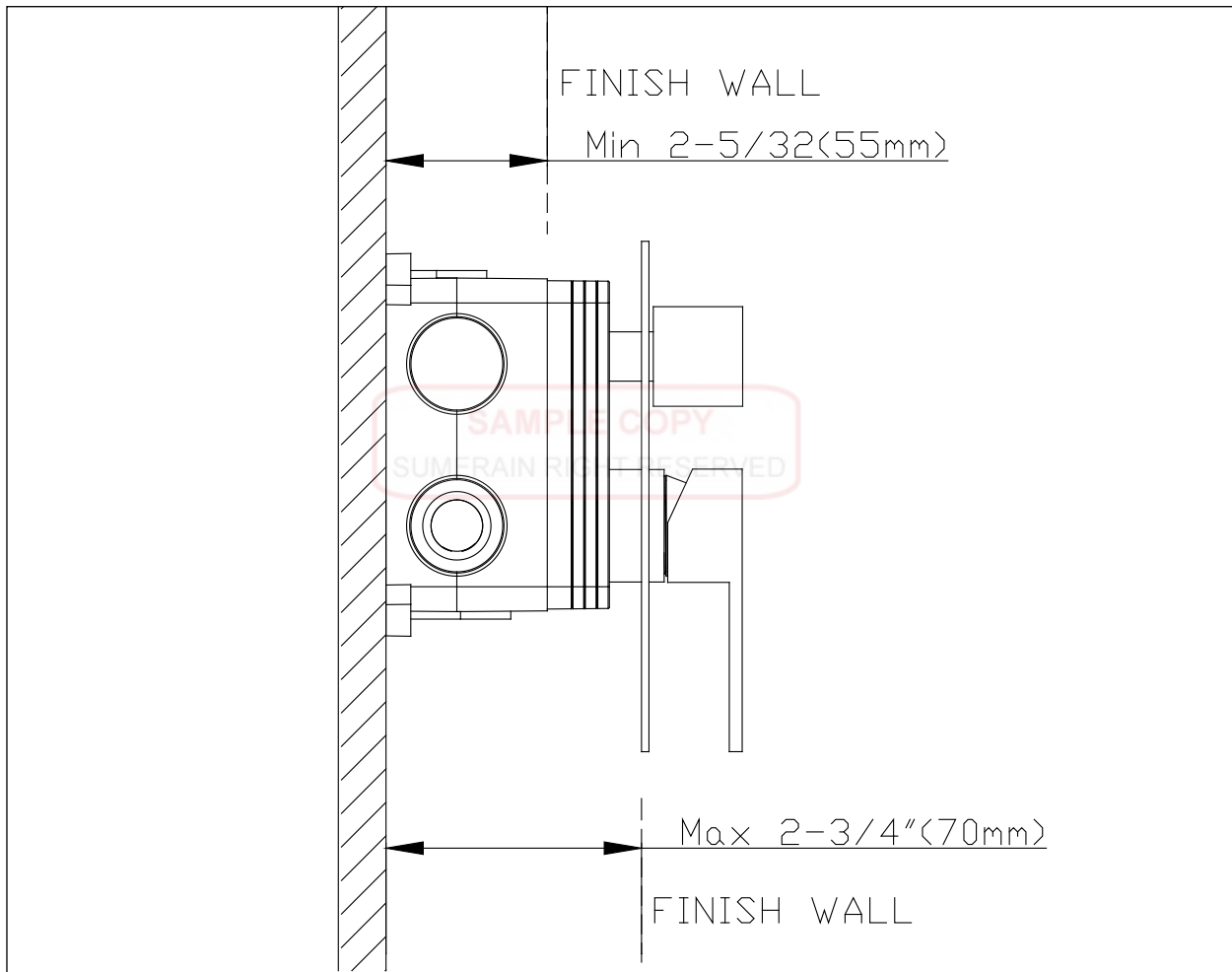
**DIMENSION**



**FRONT VIEW OF SHOWER**



**SIDE VIEW OF SHOWER**



**INSTALLATION DEPTH**



**HONGKONG SUMERAIN SANITARY INDUSTRY CO., LIMITED**

Address: ROOM 1018, HOLLYWOOD PLAZA 610 NATHAN ROAD MONGKOK, KL  
 Factory Address: 25 building Tangkou Industrial Park, Shuikou town, Kaiping City, Guangdong Province, China (Mainland)  
 Tel: +86-750-2731579  
 Toll Free: 400-0999-075 (China mainland)  
 Fax: +86-750-2715258  
 Web: <http://www.sumerain.com>  
 E-mail: [hk@sumerain.com](mailto:hk@sumerain.com)

**SUMERAIN INTERNATIONAL GROUP – AMERICA SALES Branch**

Address: 13455 Harper Dr.  
 Saratoga, CA 95070  
 USA  
 Tel: +1-408-867-8884  
 FAX: +1-408-867-4272  
 E-mail: [us@sumerain.com](mailto:us@sumerain.com)

