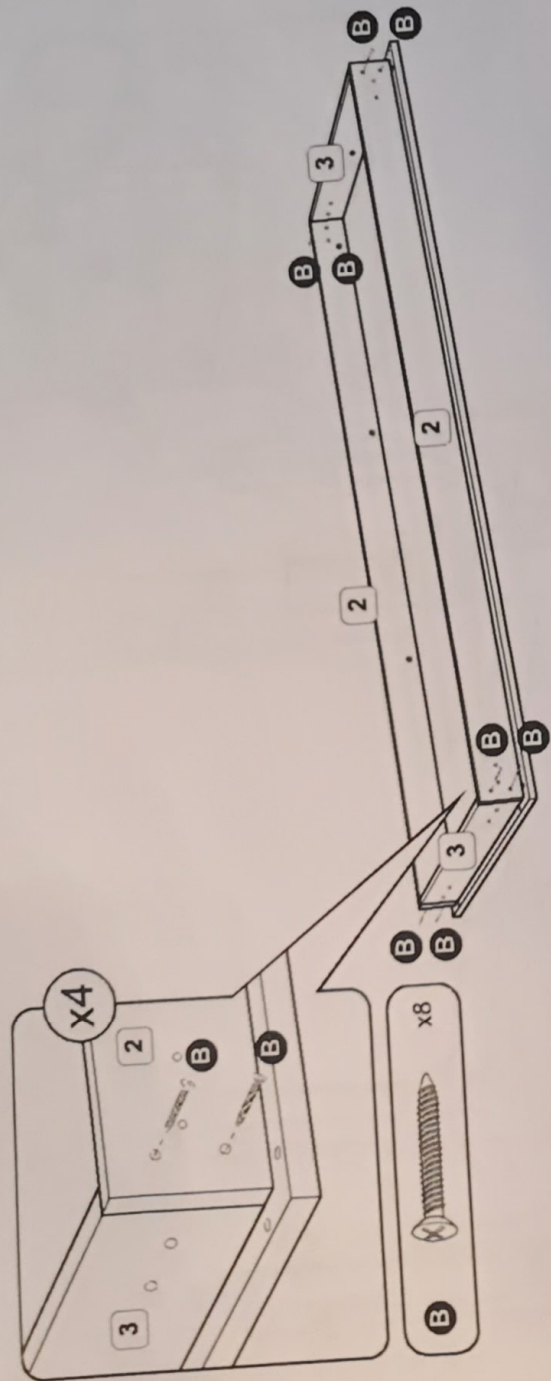
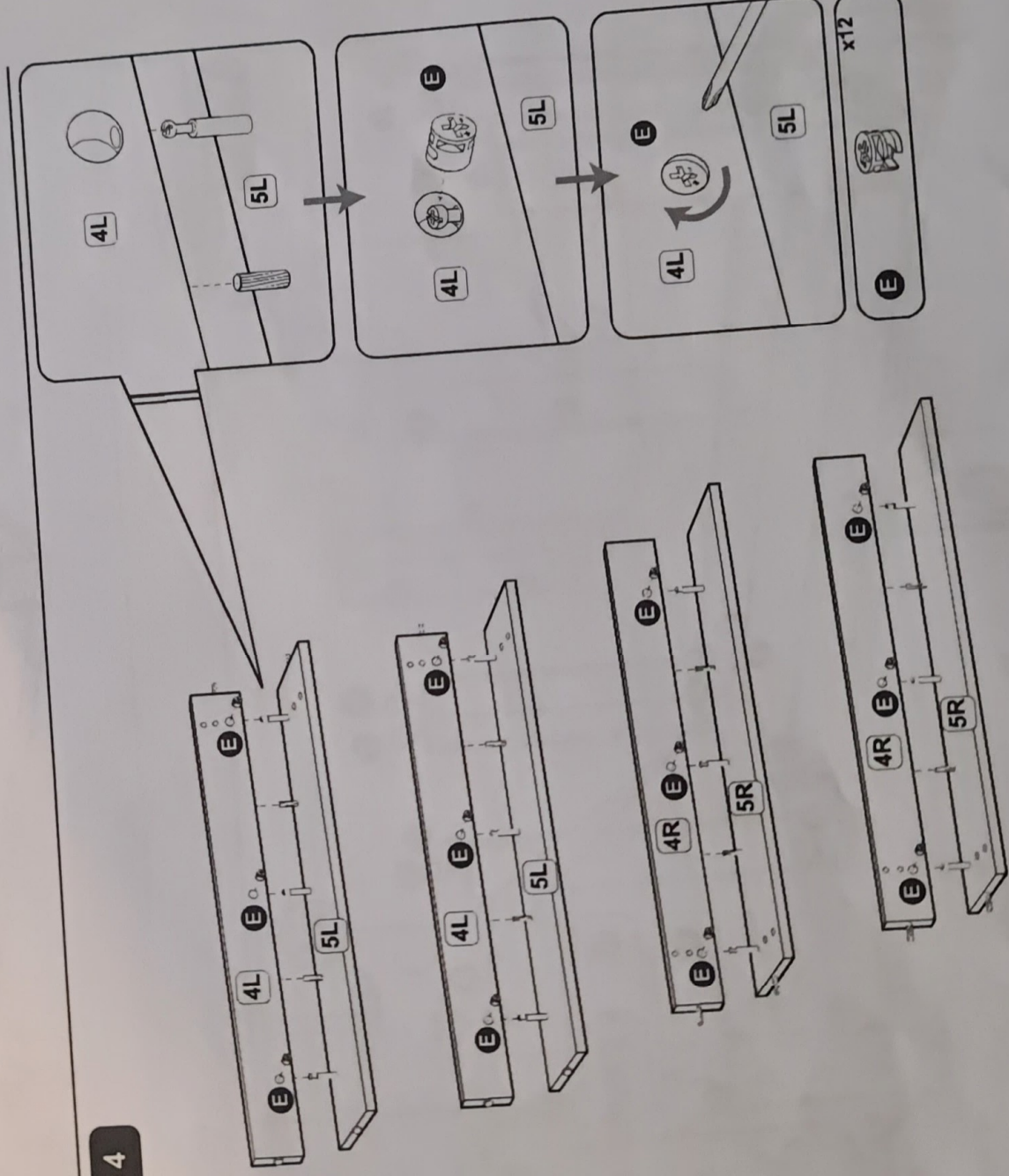


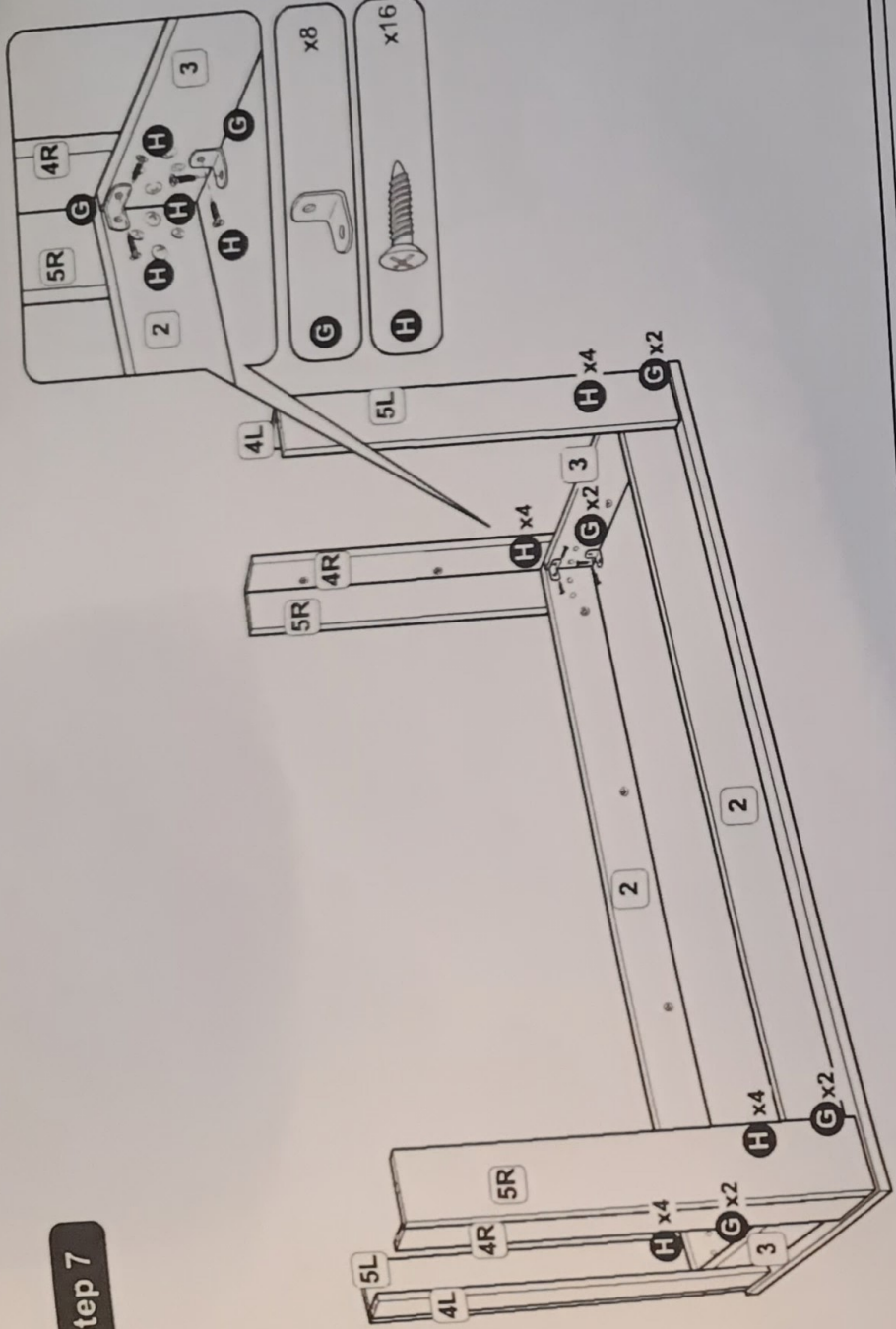
**Step 3**



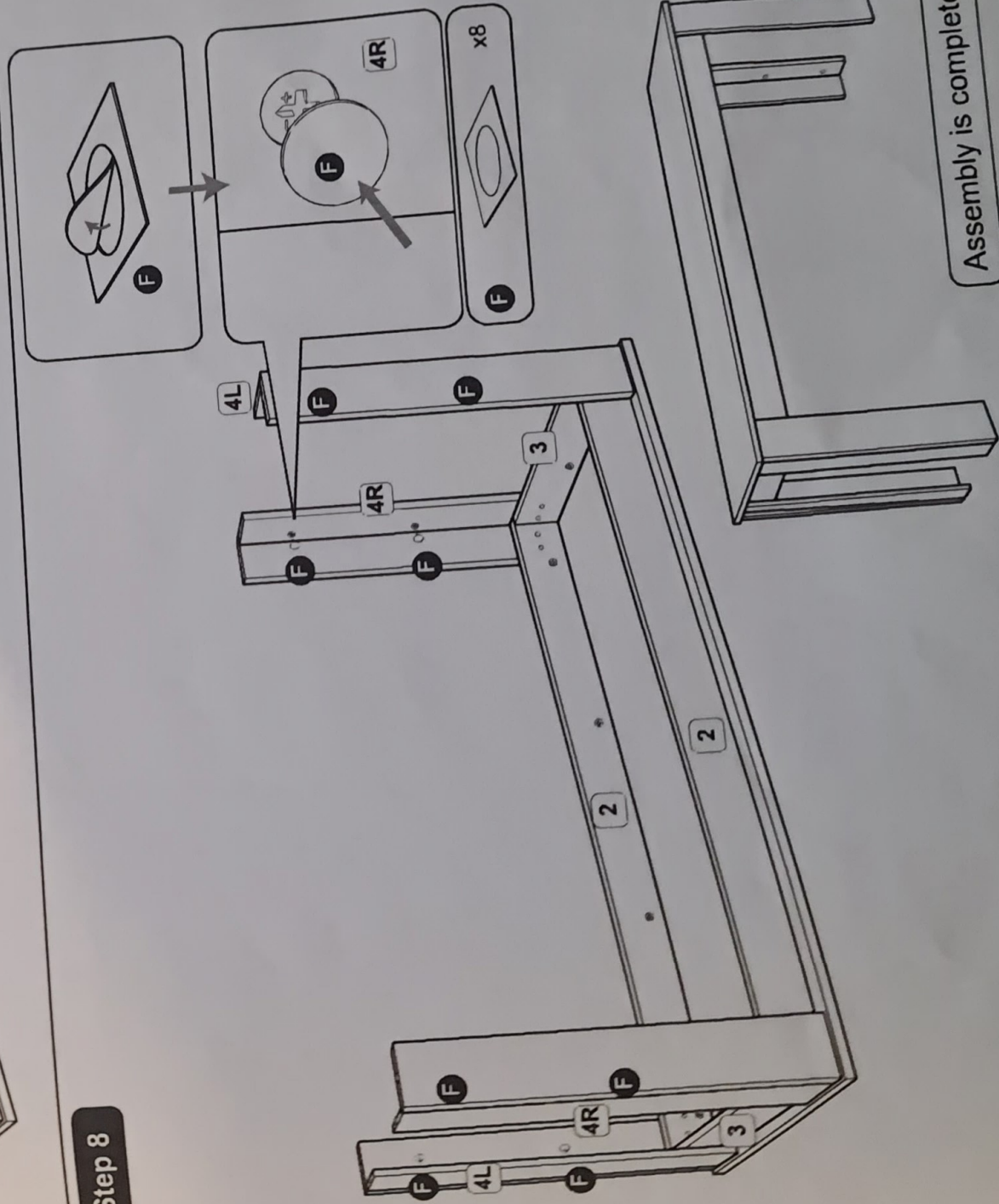
**Step 4**



### Step 7

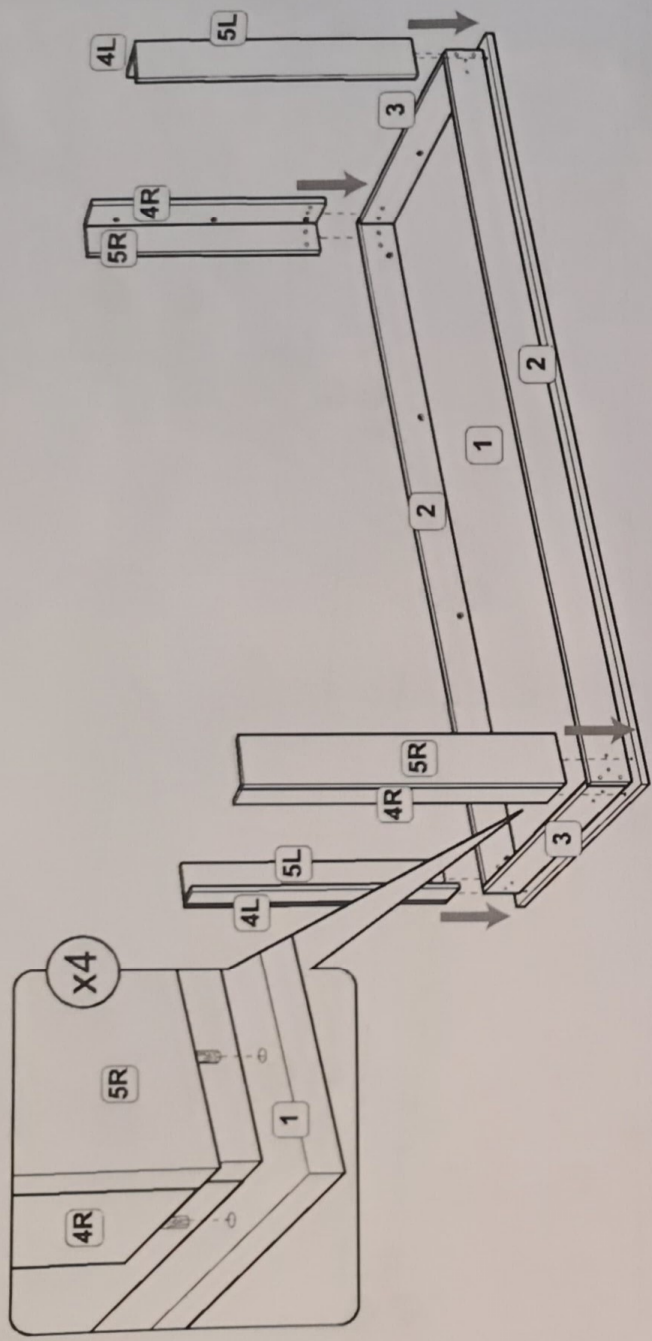


### Step 8

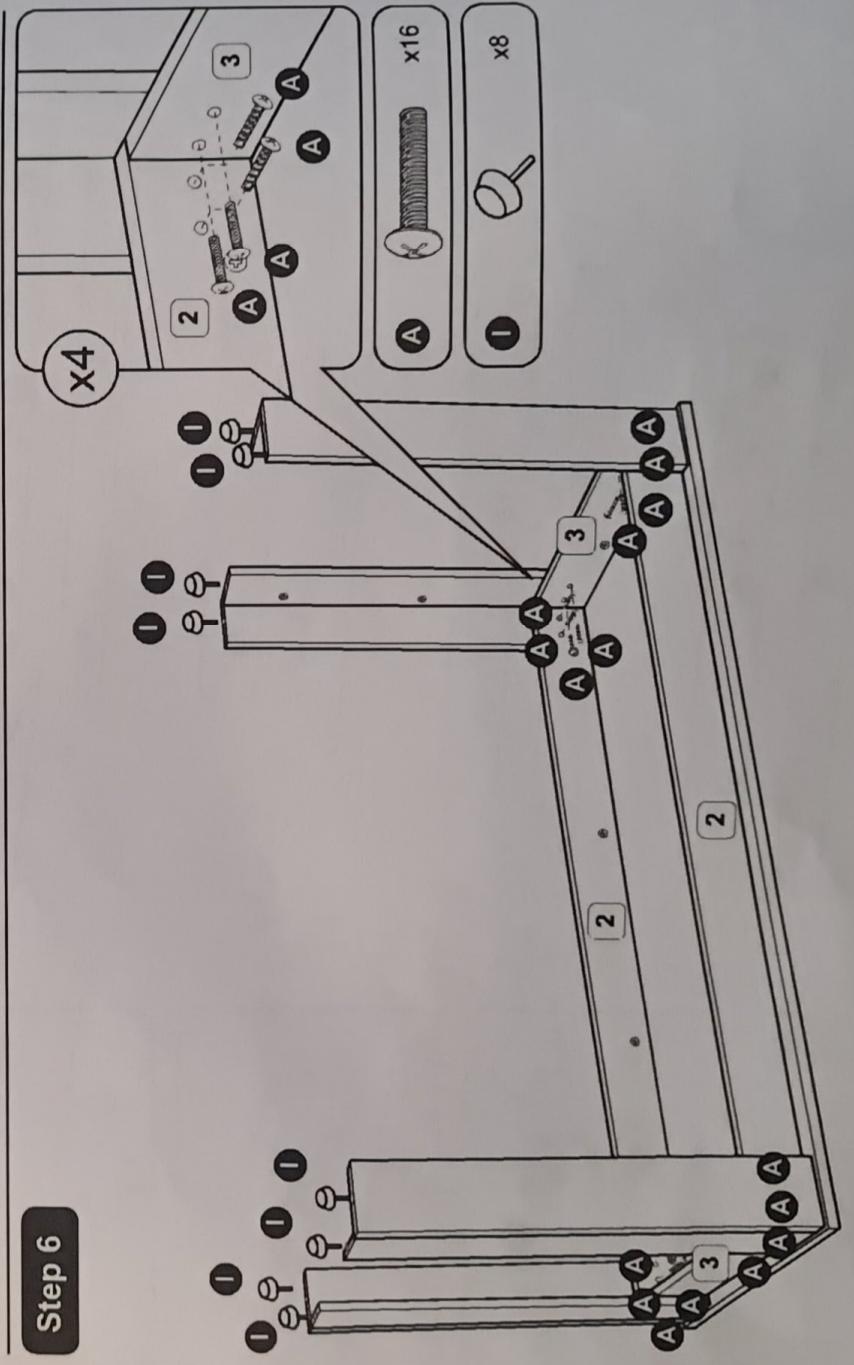


Assembly is complete.

**Step 5**



**Step 6**



# Bench

Assembly Instructions - Please keep for future reference

## Safety and Care Advice

- Important: Please read these instructions fully before starting assembly.
- Do not discard any of the packaging until you have checked that you have all the parts and the pack of fittings.
- Discard all extra fittings and keep fittings out of reach of children.
- Assemble this product on a flat and protected surface.
- Assemble all parts and bolts loosely during assembly, only once the product is complete should you fully tighten the bolts.
- Assemble this product as close to its final position (in the same room) as possible.
- At least 2 people are required to assemble this product.

### Warnings:

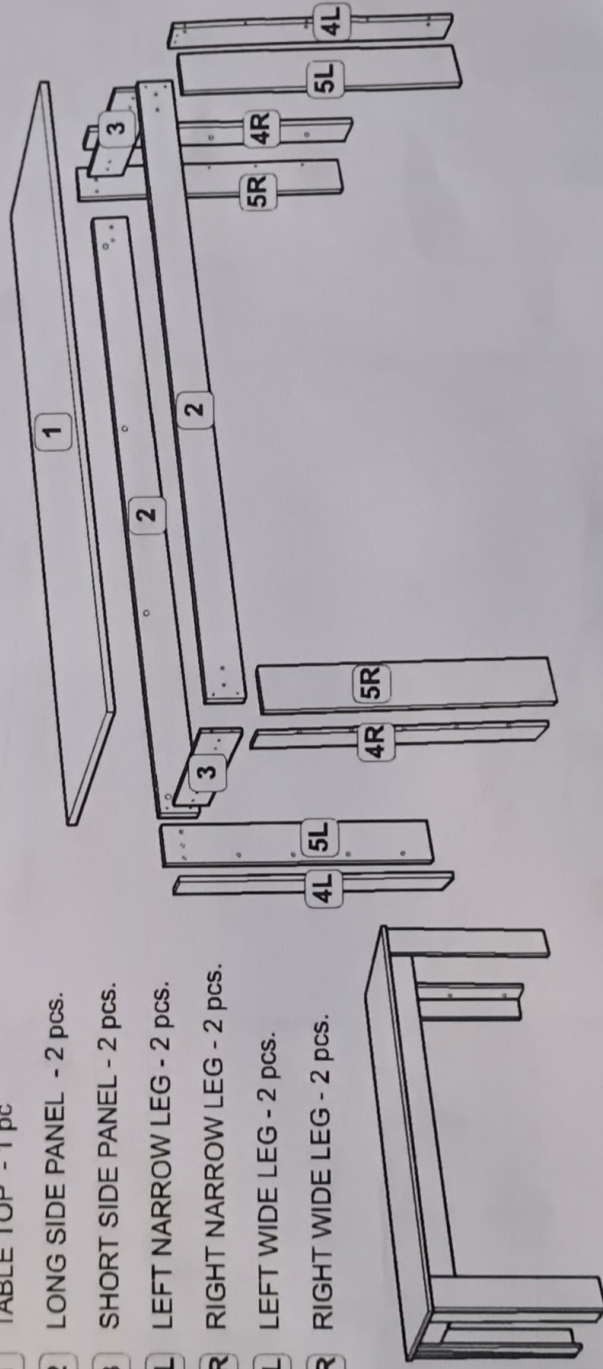
- This product should only be used on firm, level ground.
- Make sure the legs remain in contact with the ground
- Do not stand on the product

### Care and maintenance:

- Please clean the product using either damp (not wet) cloth and a mild domestic soap solution or by using an appropriate polish.
- Do not use abrasive materials when cleaning
- From time to time, check that there are no loose bolts on this unit.

## Parts List

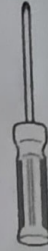
- 1** TABLE TOP - 1 pc
- 2** LONG SIDE PANEL - 2 pcs.
- 3** SHORT SIDE PANEL - 2 pcs.
- 4L** LEFT NARROW LEG - 2 pcs.
- 4R** RIGHT NARROW LEG - 2 pcs.
- 5L** LEFT WIDE LEG - 2 pcs.
- 5R** RIGHT WIDE LEG - 2 pcs.



## Fittings List

<b>A</b> BOLT x 16	<b>B</b> 30MM SCREW x 8	<b>C</b> DOWEL x 26	<b>D</b> CAM BOLT x 22	<b>E</b> CAM LOCK x 22
<b>F</b> ADHESIVE PAD x 8	<b>G</b> BRACKET x 8	<b>H</b> 15MM SCREW x 16	<b>I</b> Leg Cover x 8	

## Additional Tools Required



CROSSHEAD SCREWDRIVER

