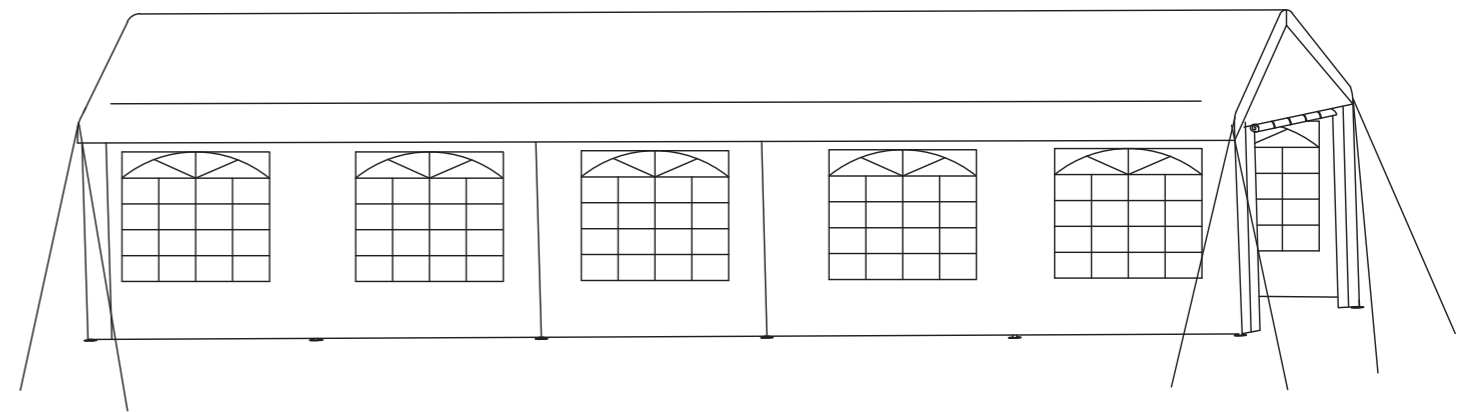


MAKING THE BEST OUTDOOR FURNITURE FOR YOU.



ASSEMBLY INSTRUCTION



16X32 FT PARTY TENT

Product comes packaged in 3 boxes that might not arrive together; Safety measures and professional installation are highly recommended.

Before returning to the store, please contact our Customer Service

service.canopy@outlook.com

We appreciate the trust and confidence you have placed in COBIZI through the purchase of our product. We strive to continually create quality products designed to enhance your home. Visit us online to see our full line of products available for your home improvement needs. Thank you for choosing COBIZI.

Made in China

CONTACT US:

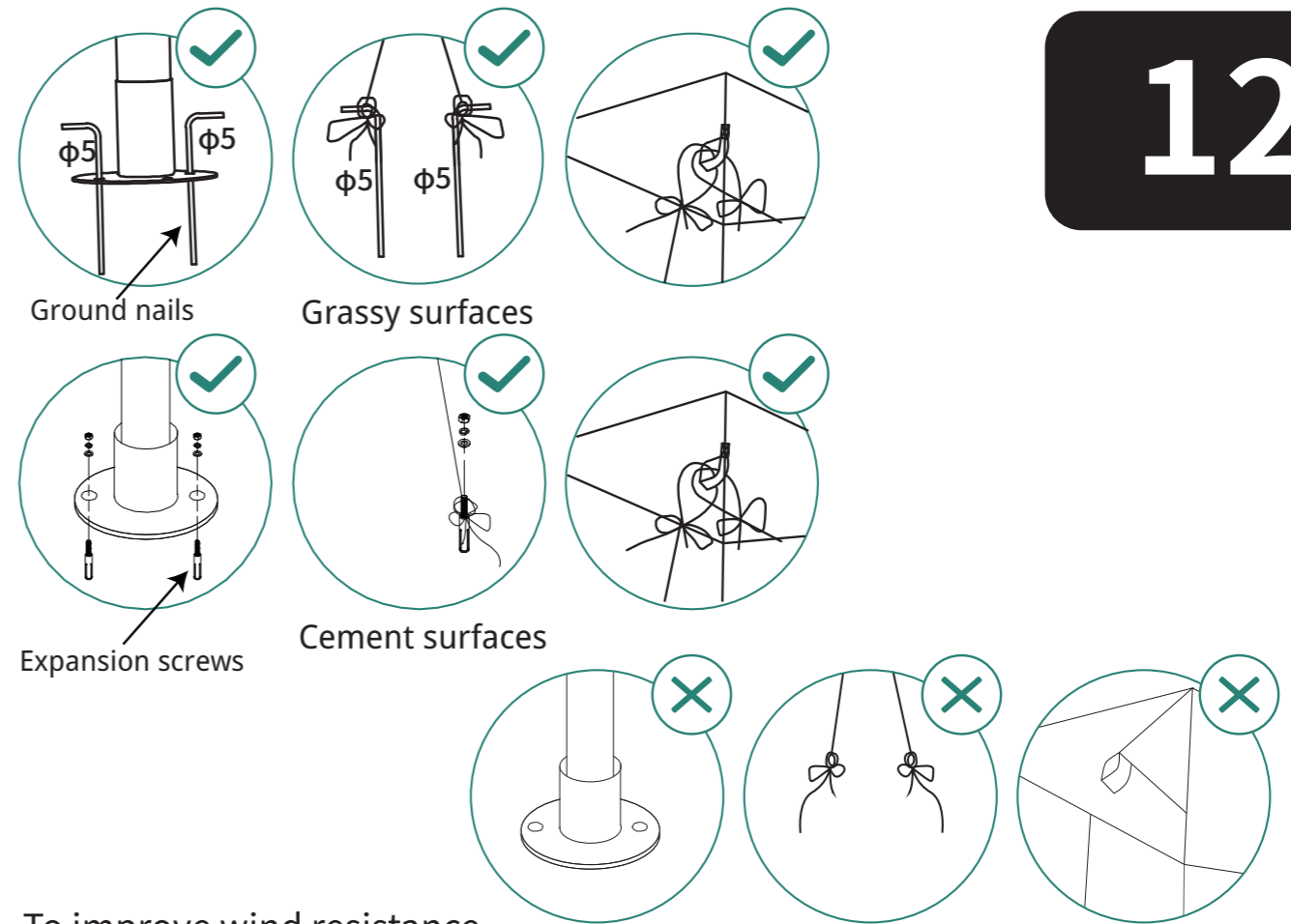
If you have any questions about the installation of COBIZI products, just e-mail us at service.canopy@outlook.com.

Alternative method to contact us (amazon.com orders only)

1. Log into your Amazon account
2. Go to "Your Orders" and find the purchase
3. Click on "Contact Seller"

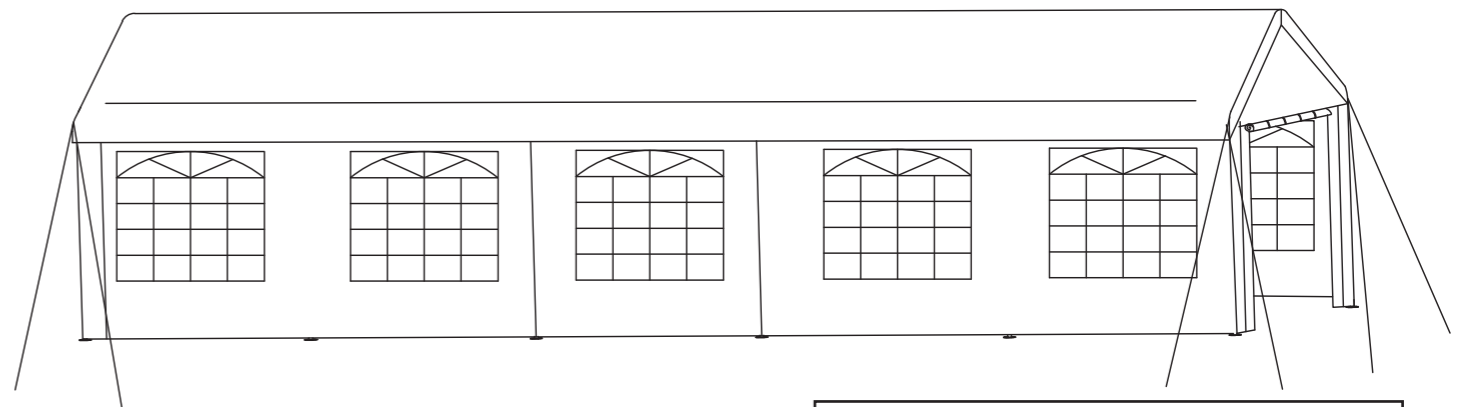
- ⚠ 1. Assembly requires a minimum of three individuals.
- 2. It is advisable to have a ladder for the assembly process.
- 3. Before commencing assembly, make sure to gather all the necessary parts and arrange them systematically.
- 4. Under no circumstances should candles, matches, or any open flames be used inside or in close proximity to the tent.
- 5. If any part of the pipe is deformed during transportation, you can use pliers to restore the shape of the pipe.

Item no.	Reference Image	Qty.
1	$\phi 38 * 750\text{mm}$	X12
2	$\phi 38 * 1930\text{mm}$	X25
3	$\phi 38 * 1910\text{mm}$	X12
4	$\phi 38 * 1930\text{mm}$	X16
5	$\phi 38 * 1020\text{mm}$	X2
A		X6
B		X12
C		X4
D		X8



12

To improve wind resistance, **be sure to complete this installation step. If expansion screws or ground nails are not installed, strong winds may topple the gazebo.** Expansion screws are essential for stability on cement surfaces, and ground nails are for grassy surfaces. Ground nails are included in the package while expansion screws are not provided.

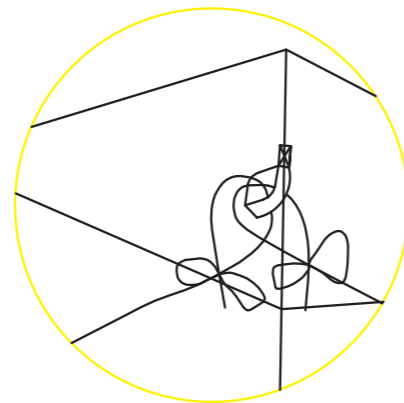
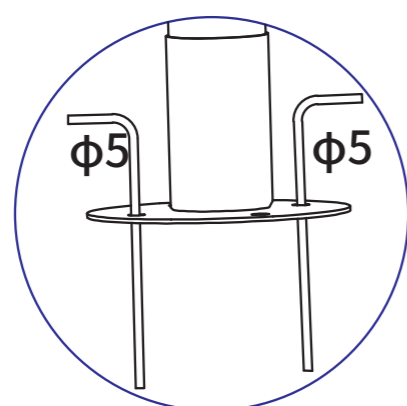
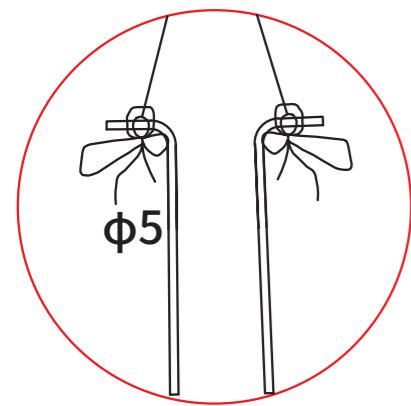
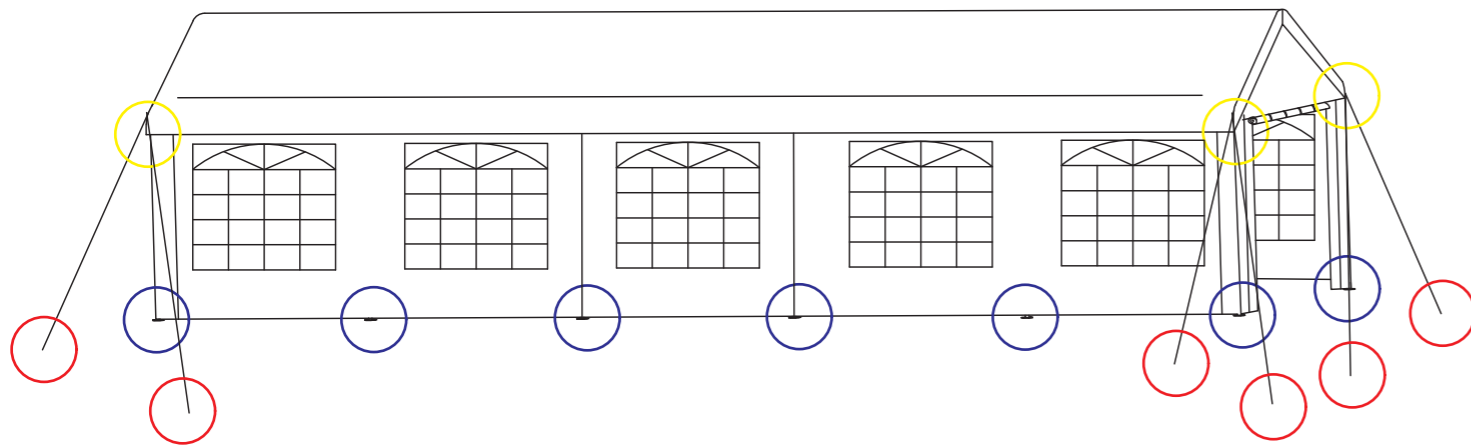


Installation Completed

11

$\phi 5$
28pcs

8pcs



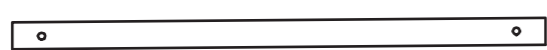
	Reference Image	Qty.
		X84 (extra 8 pcs)
	 $\phi 5$	X32
	 M6X50mm	X12
		X8
		X1
		X2
W1		X2
W2		X2
W3		X2



MAKING THE BEST OUTDOOR FURNITURE FOR YOU.

1

X3



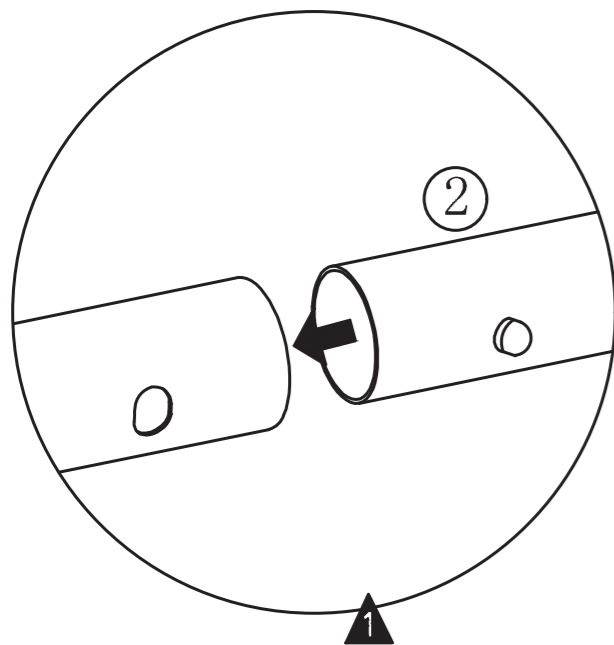
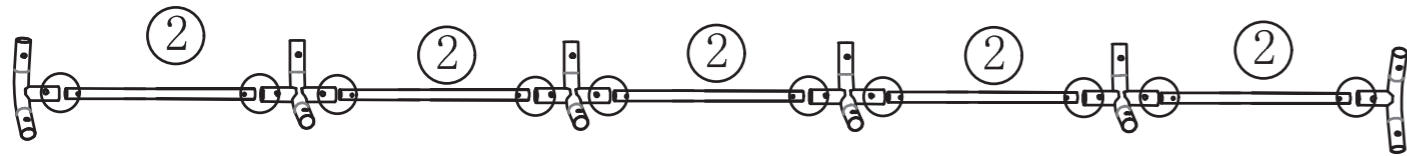
② 15pcs



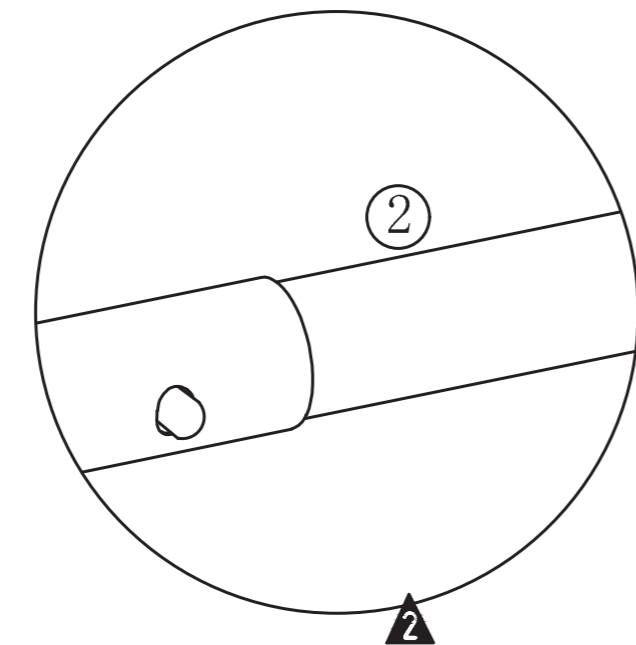
Ⓐ 6pcs



Ⓑ 12pcs



1



2

3

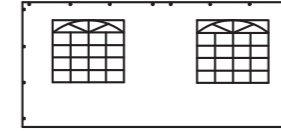


MAKING THE BEST OUTDOOR FURNITURE FOR YOU.

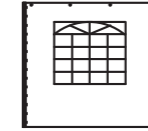
10



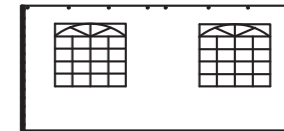
16pcs



2pcs



2pcs



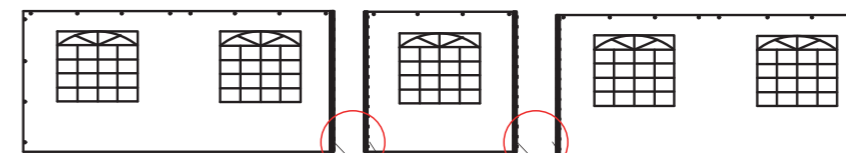
2pcs



2pcs

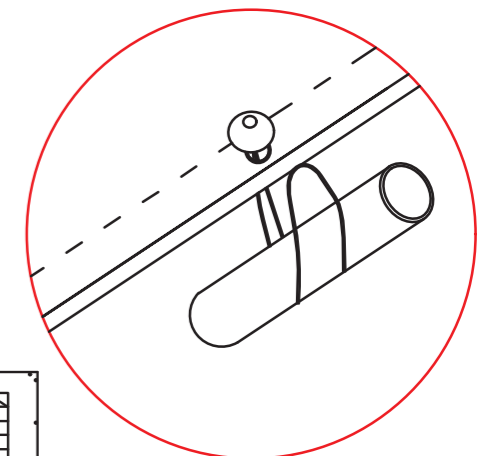


The fasteners marked in red are the same ones used in step 4.
4 bungee cord fasteners are needed for part 4 (marked in black).
Hang side Wall W1, W2 and W3 from left to right, the other side is the same.



Velcro

Velcro

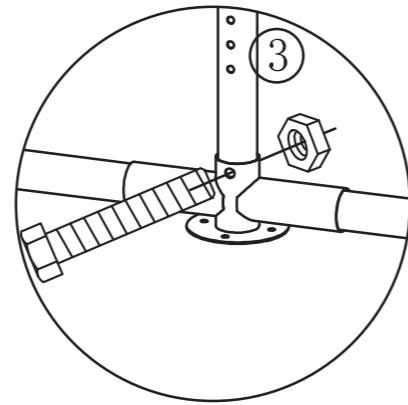
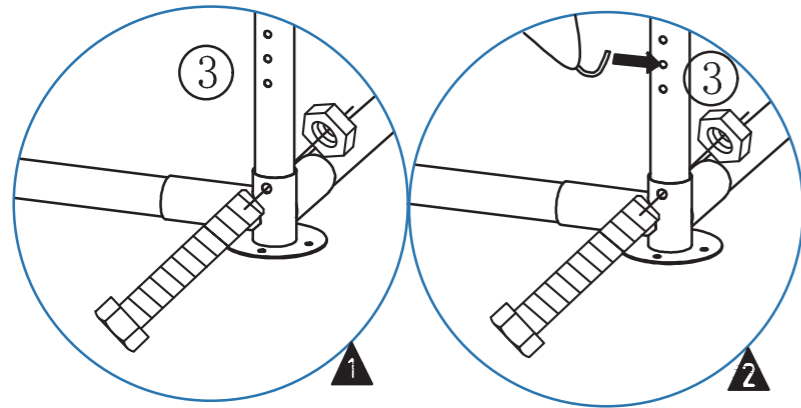
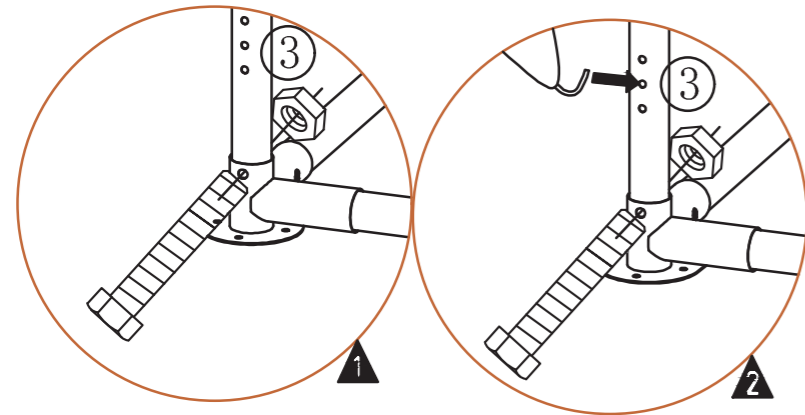
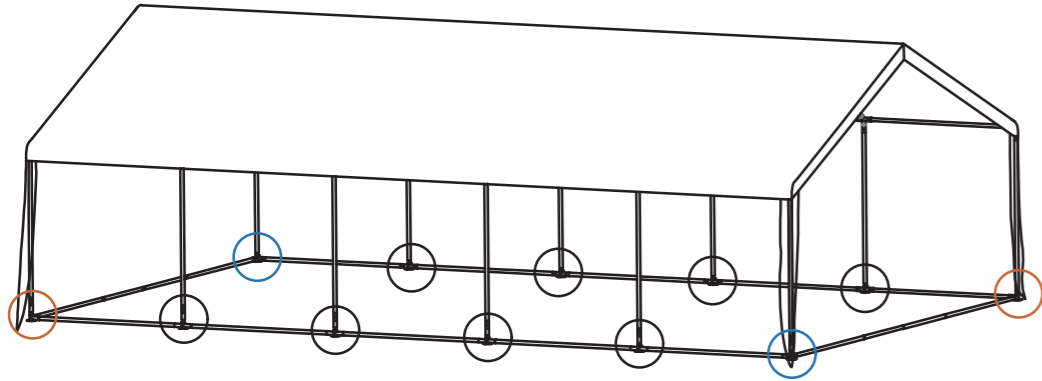


12

9

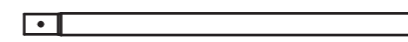


12pcs

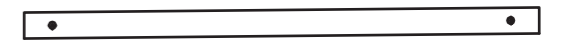


2

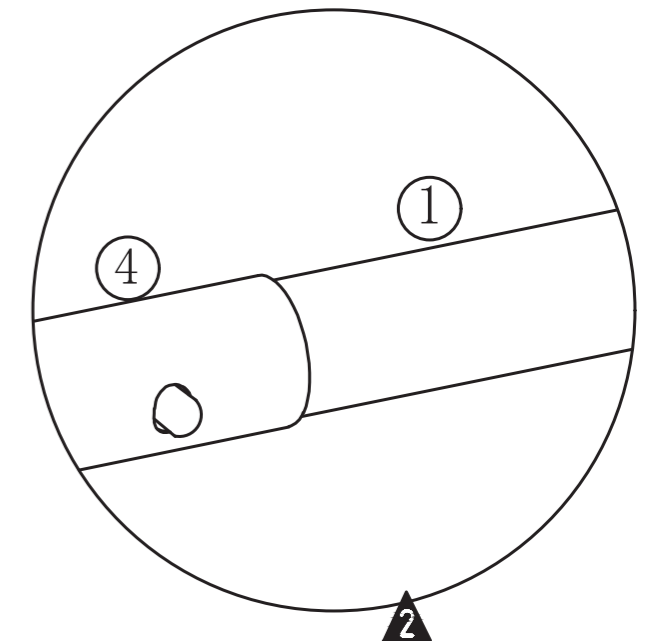
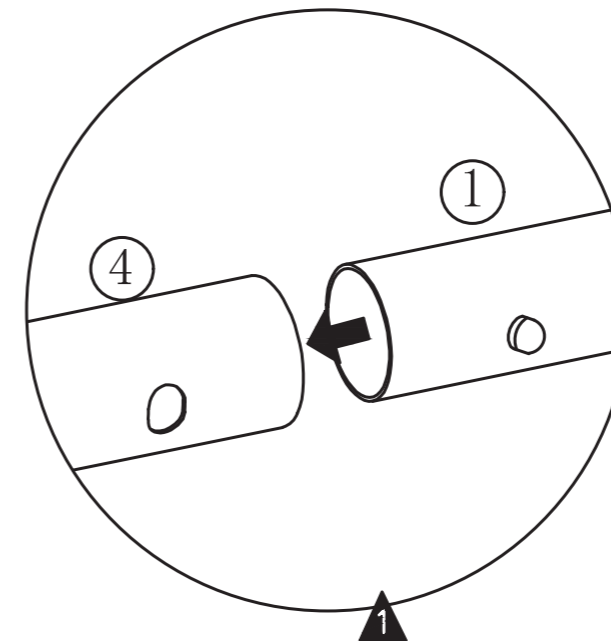
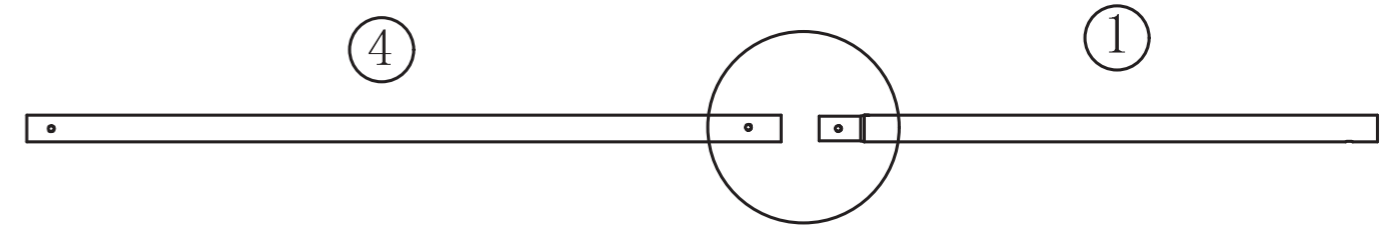
X12



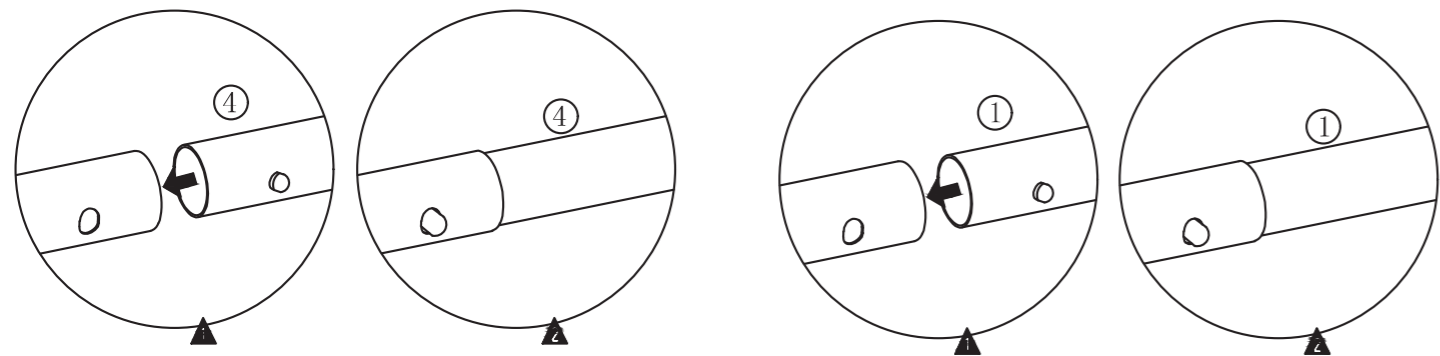
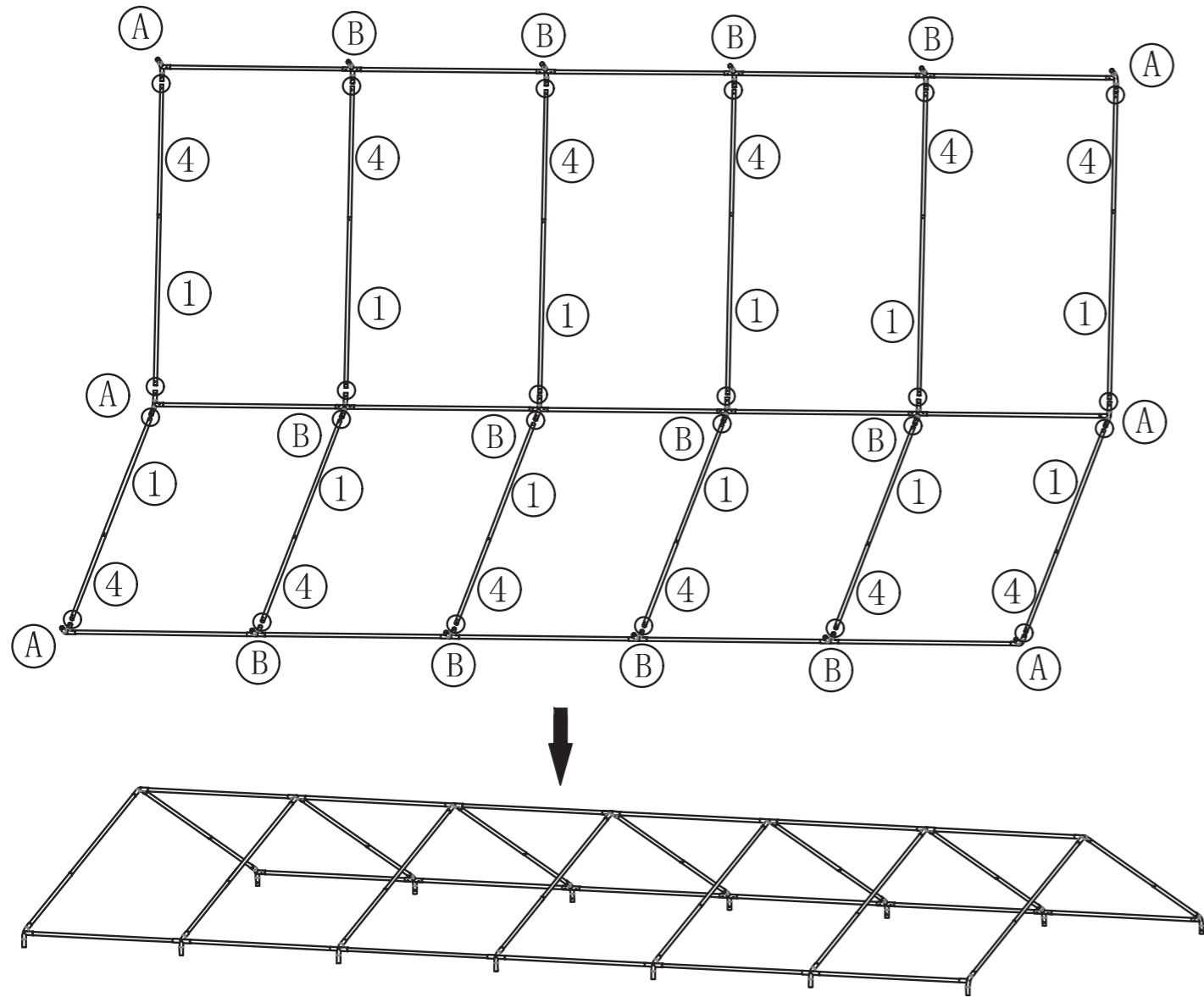
①12pcs



④12pcs



3



5

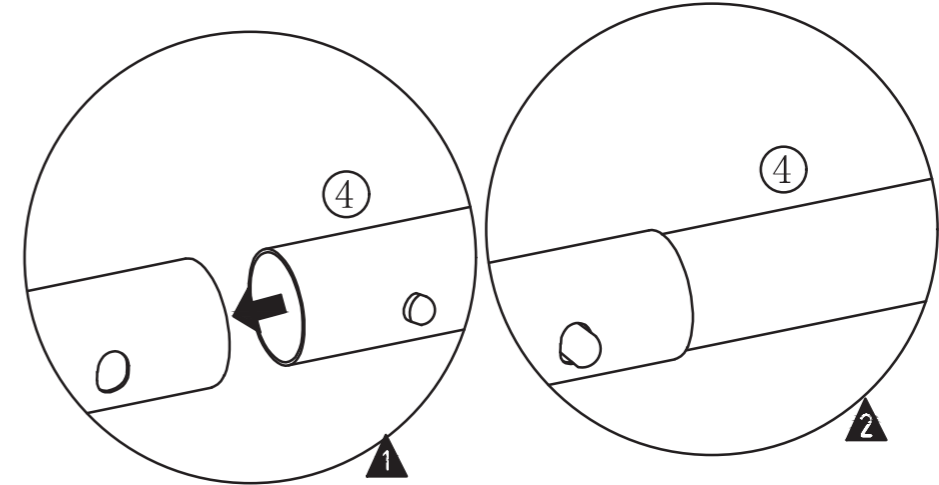
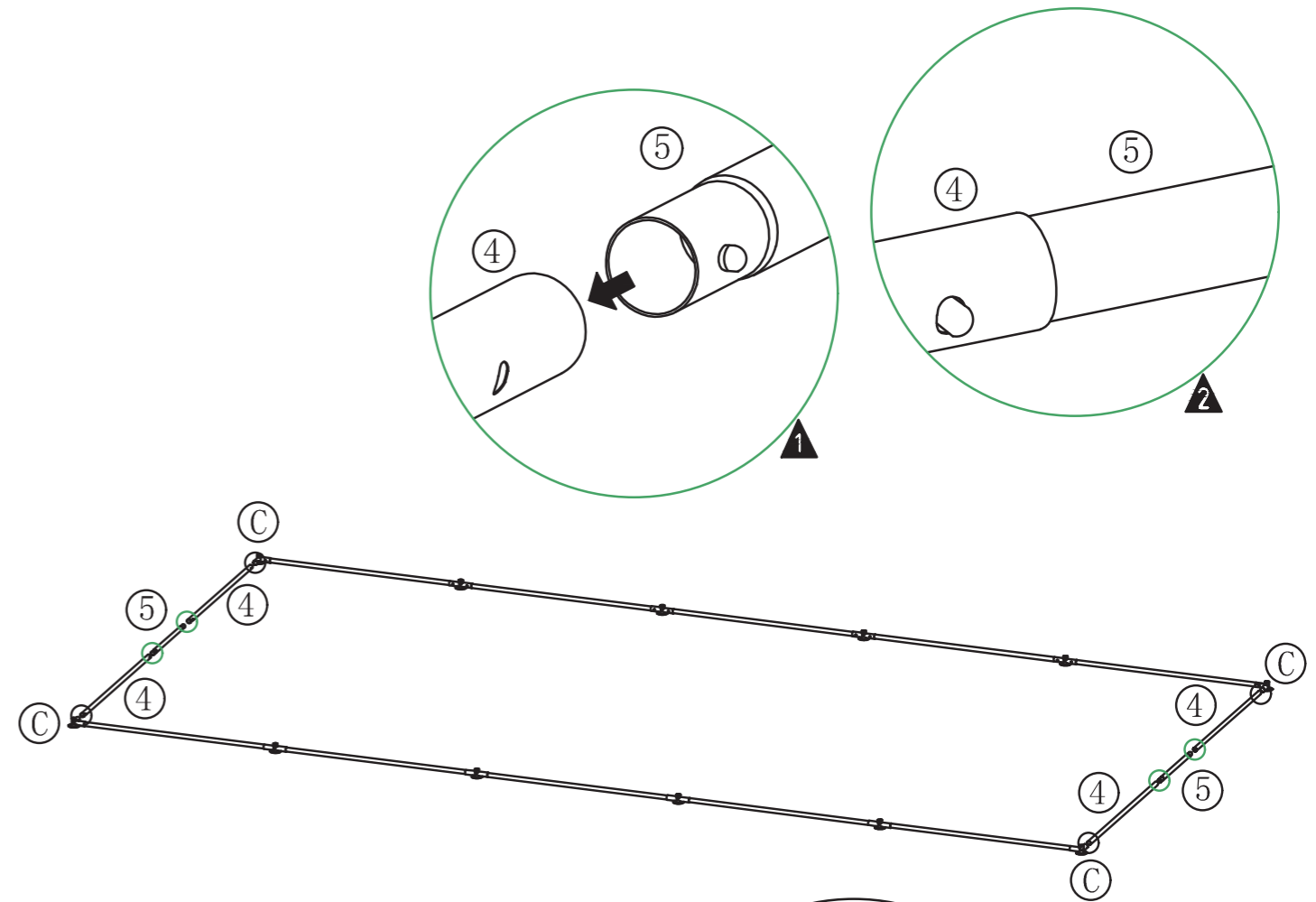
8



④ 4pcs



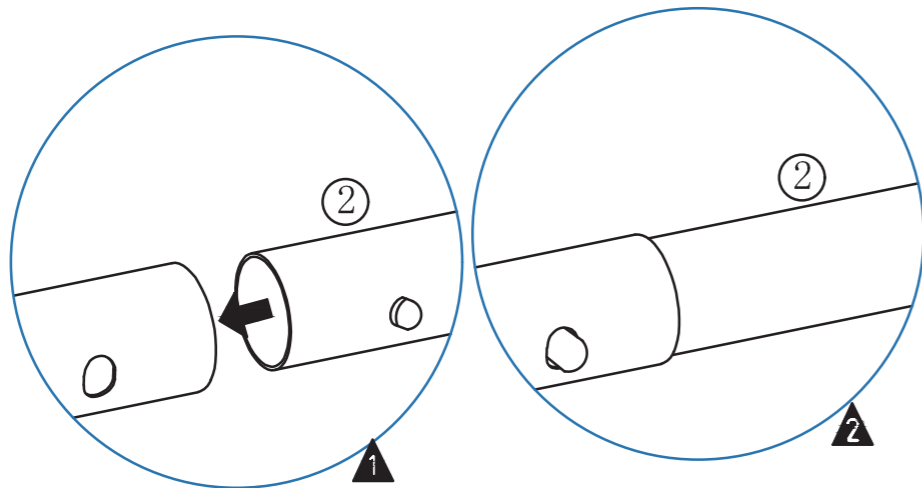
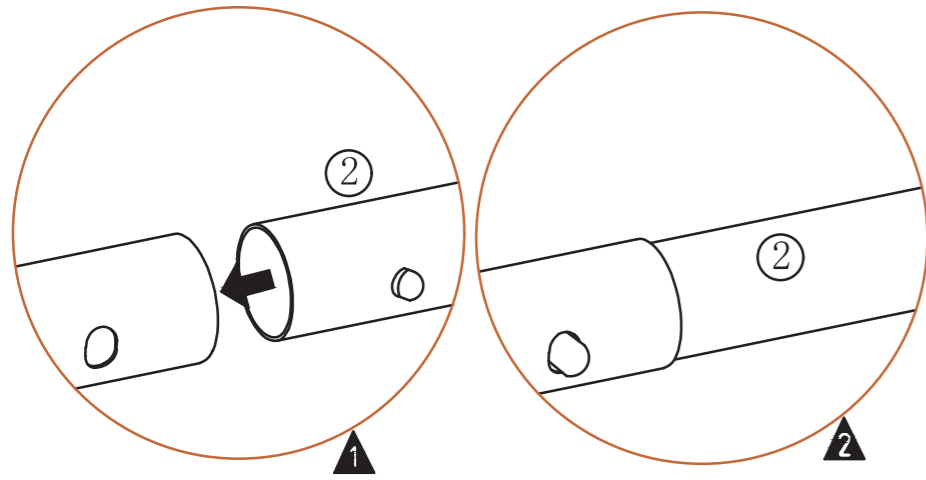
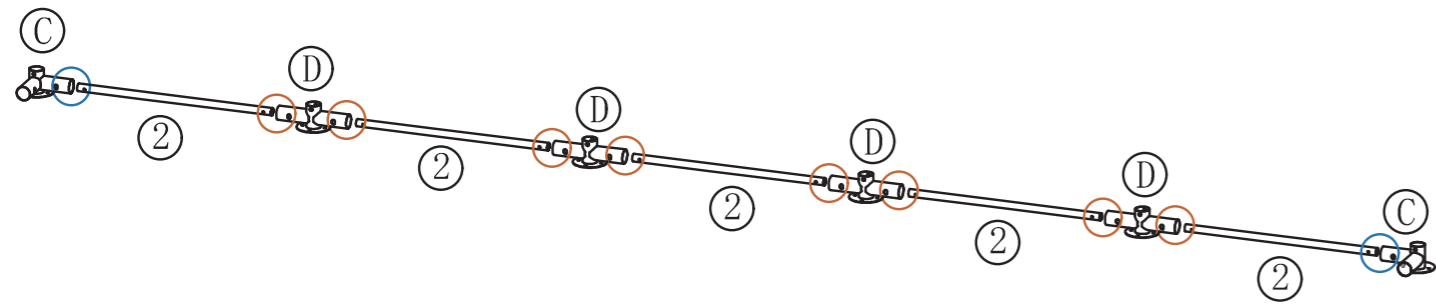
⑤ 2pcs



10

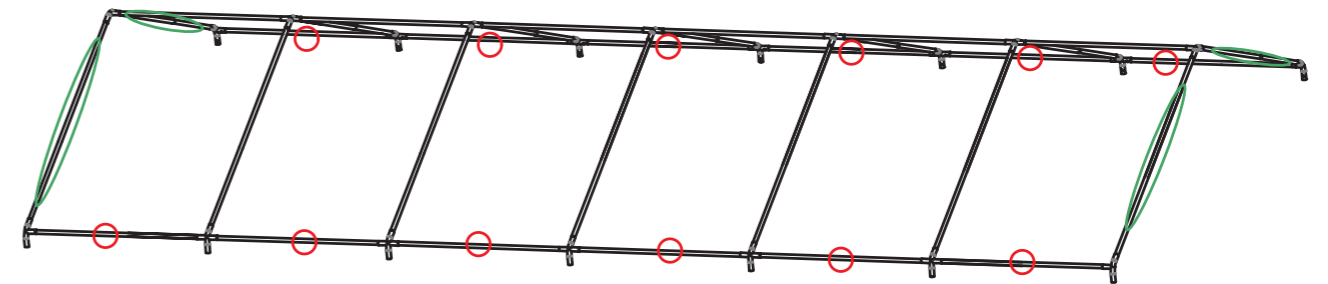
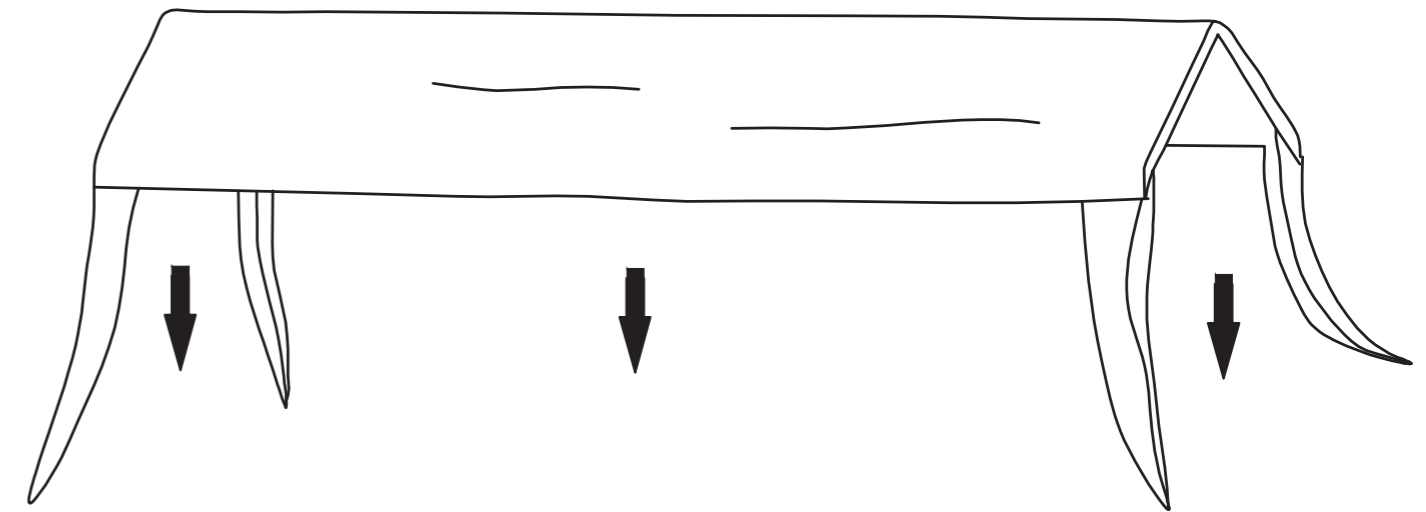
7

②12pcs ③4pcs ④8pcs

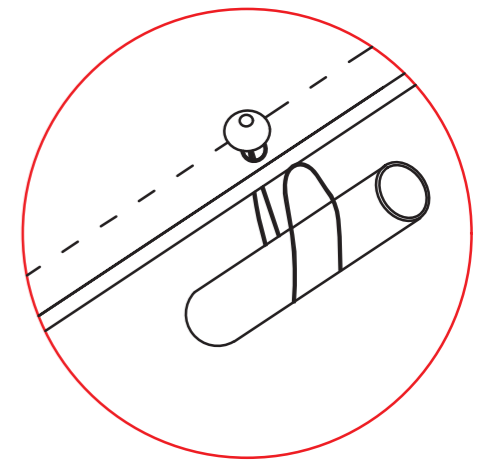


4

1pc 60pcs



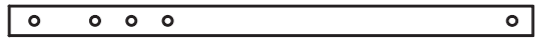
4 and 12 bungee cord fasteners are used for parts 1, 2 and 3 to temporarily secure. These same fasteners are used to secure the cloth during step 10.



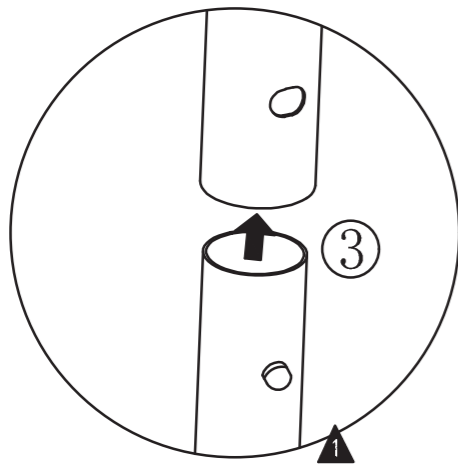
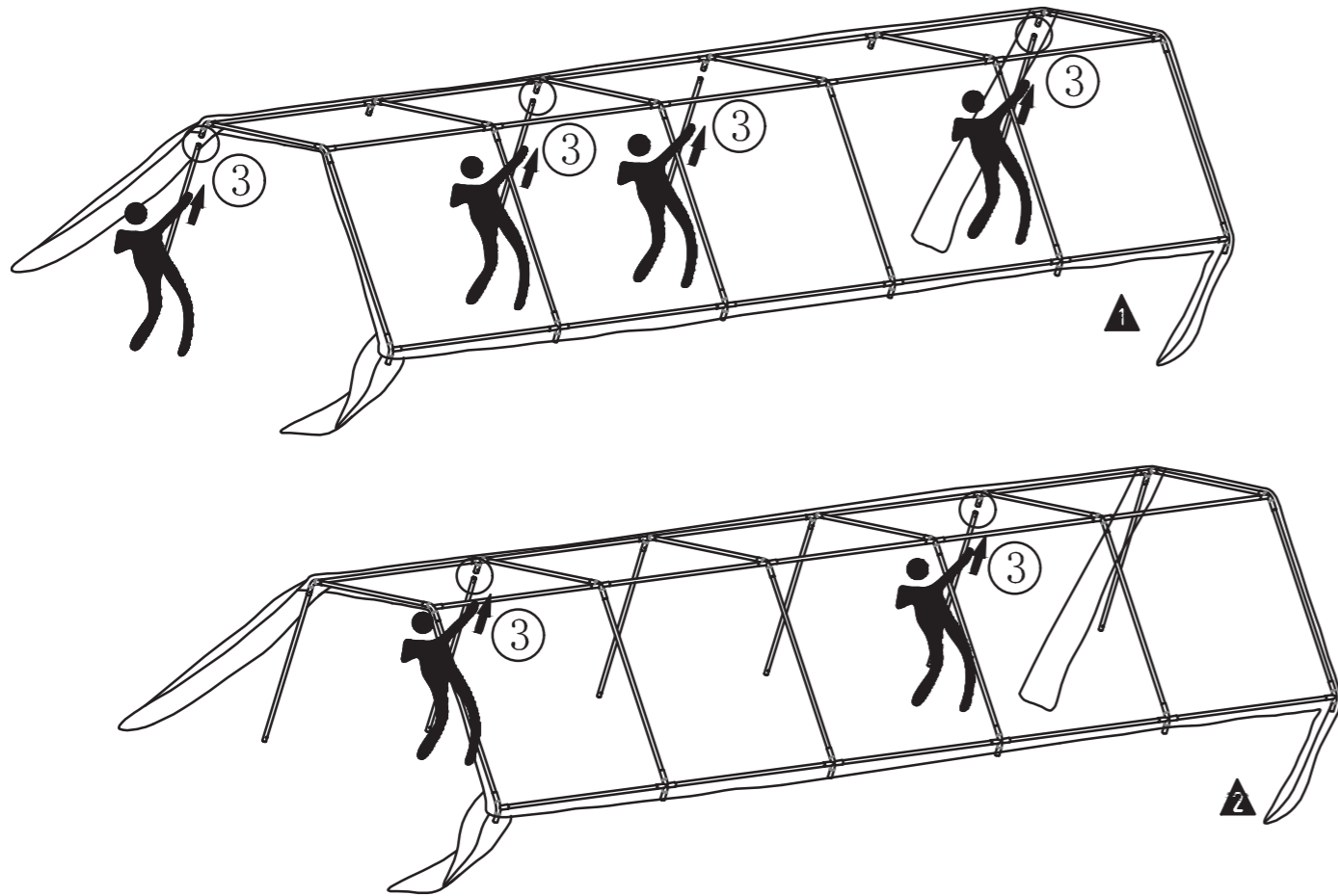


MAKING THE BEST OUTDOOR FURNITURE FOR YOU.

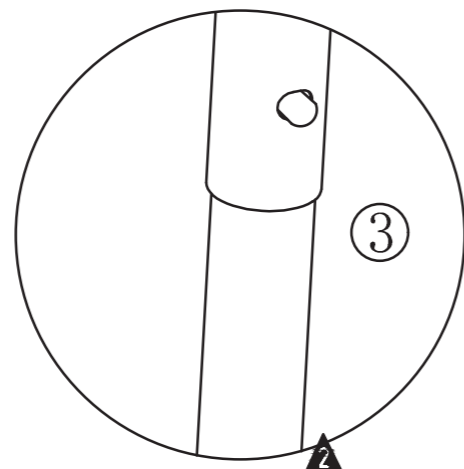
5



③ 6pcs

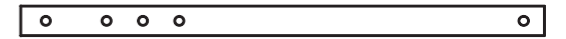


7

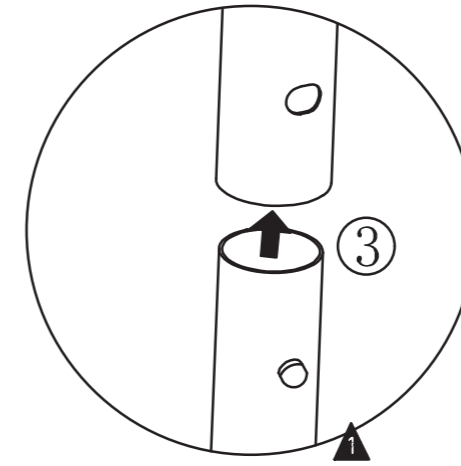
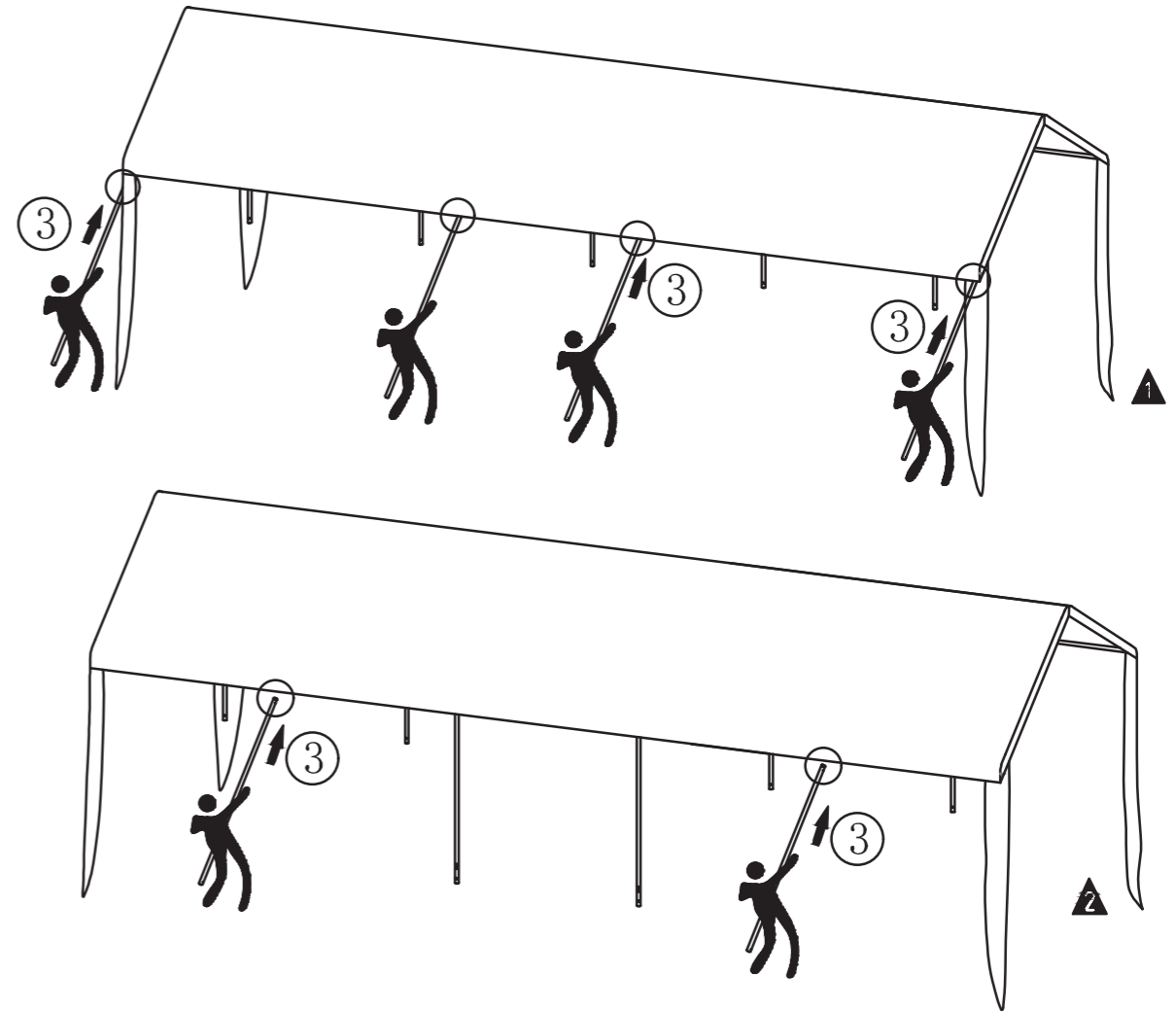


MAKING THE BEST OUTDOOR FURNITURE FOR YOU.

6



③ 6pcs



8

