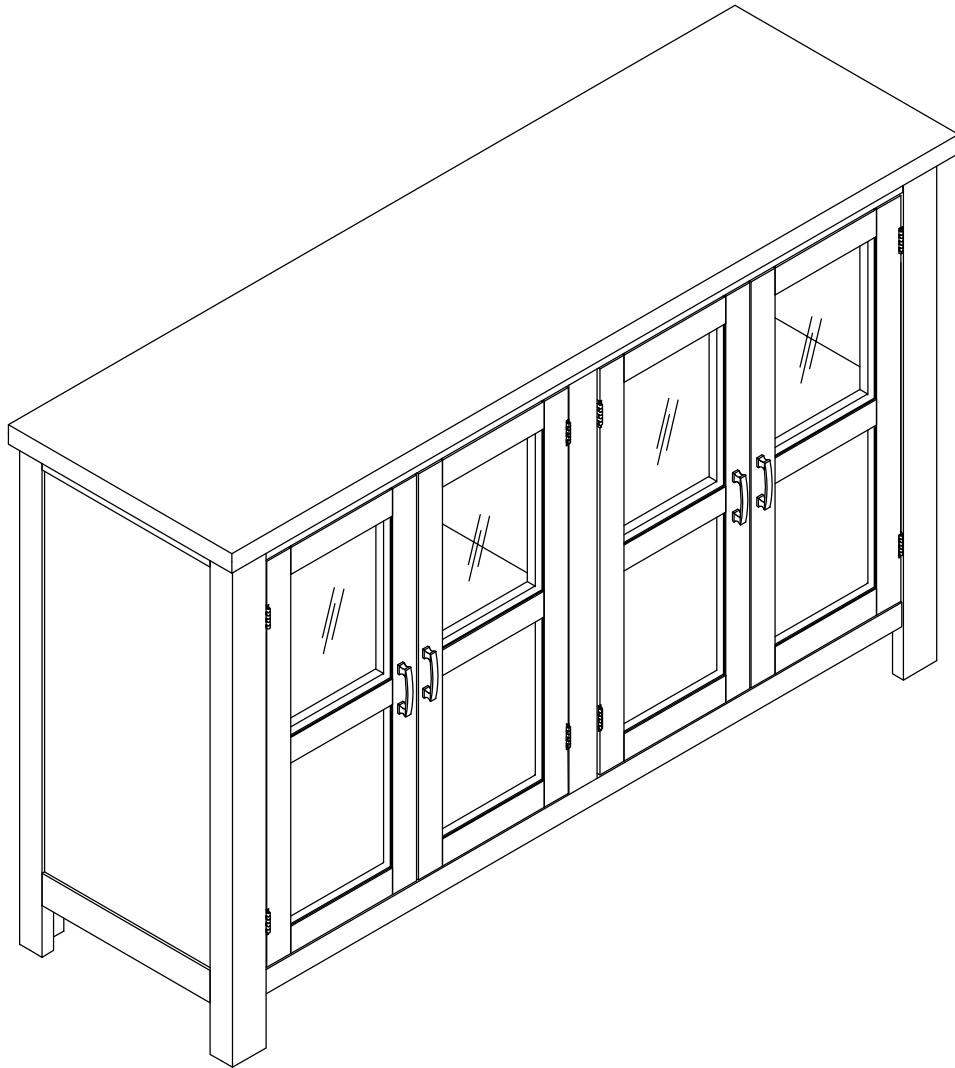


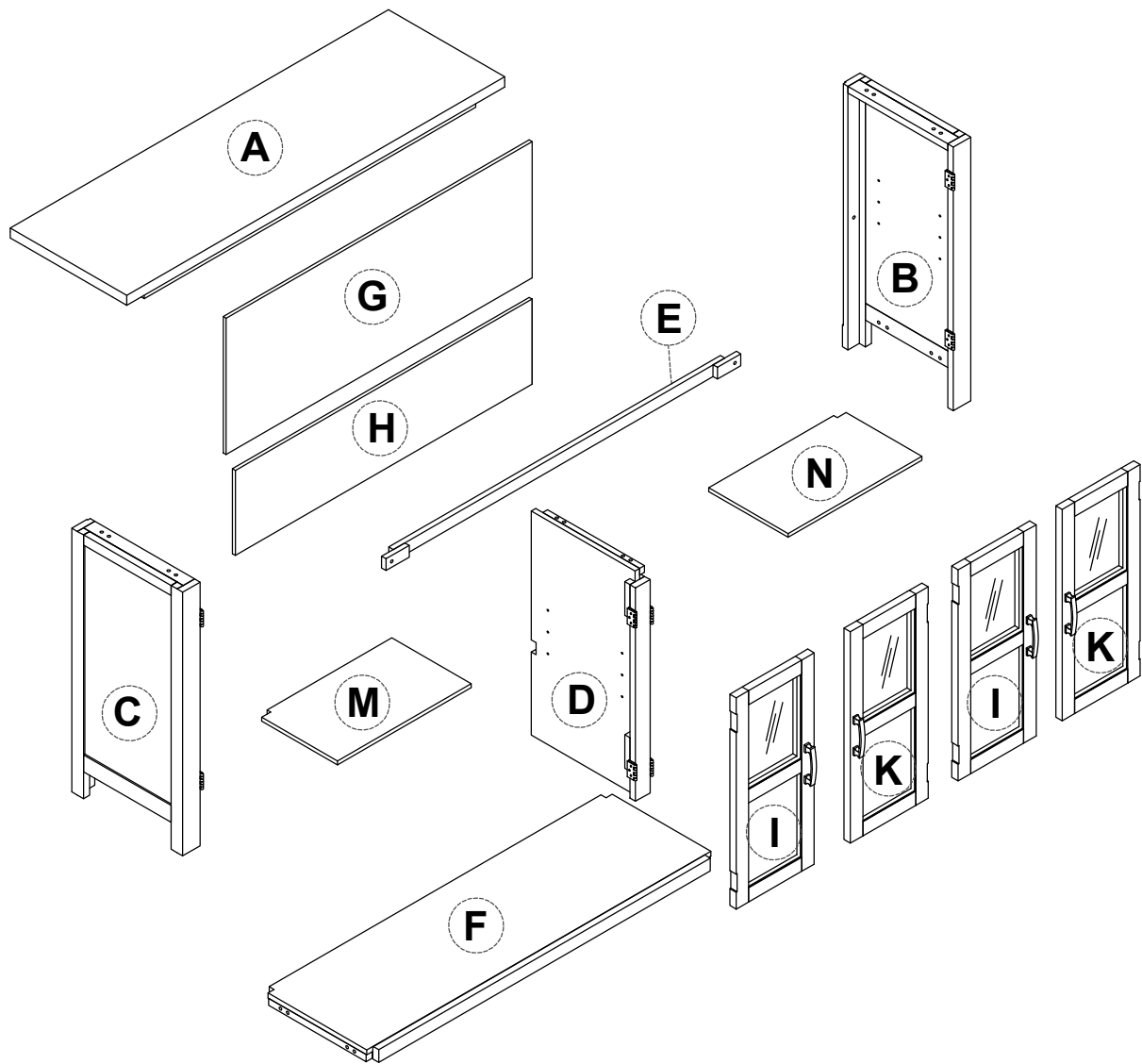
ASSEMBLY INSTRUCCIONES

ITEM NOTE : CABINET

















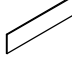
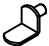



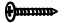
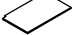




IMPORTANT NOTE:

- ① PLACE ALL PARTS ON A CLEAN AND SMOOTH SURFACE SUCH AS A RUG OR CARPET TO AVOID THE PARTS FROM BEING SCRATCHED.
- ② BEFORE YOU BEGIN, KINDLY FOLLOW THE ASSEMBLY INSTRUCTIONS STEP BY STEP.
- ③ DO NOT TIGHEN ALL SCREWS AND BOLTS UNTIL THE TABLE IS FULLY STEP-UP



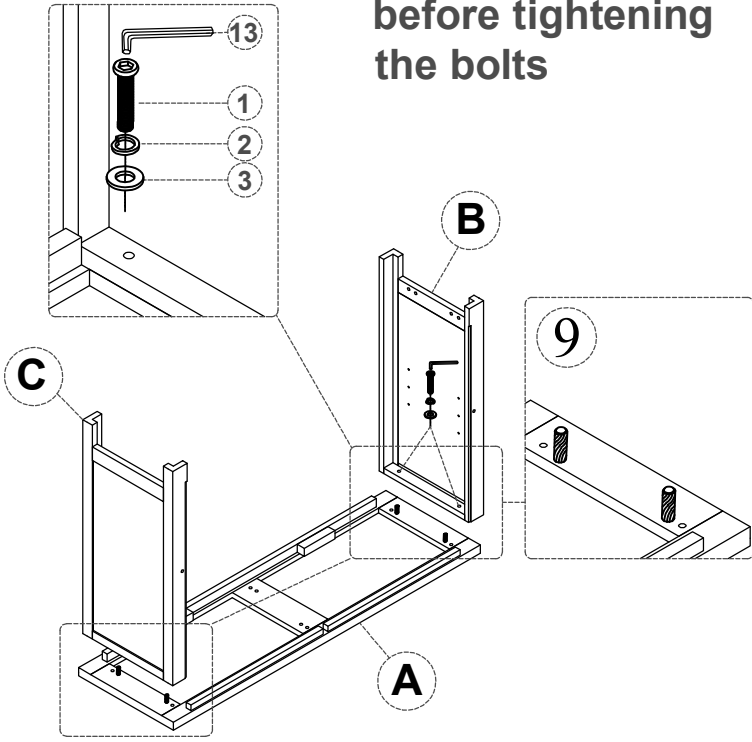
Part List For One

Hardware List For One

No	Parts Desc.	Q'ty	No	Hardware Desc.	Q'ty
A	TOP PANEL 	1pcs	1	Bolts 5/16" x 40mm 	12 pcs
B	RIGHT PANEL 	1pcs	2	Spring Washer 5/16" x 13mm x 1.5mm 	12 pcs
C	LEFT PANEL 	1pcs	3	Flat Washer 5/16" x 16mm x 1.5mm 	12 pcs
D	BETWEEN PANEL 	1pcs	4	Bolts 1/4" x 40mm 	2 pcs
E	REAR TIE ROD 	1pcs	5	Spring Washer 1/4" x 11mm x 1.5mm 	2 pcs
F	BOTTOM 	1pcs	6	Flat Washer 1/4" x 16mm x 1.5mm 	2 pcs
G	BACK PANEL 	1pcs	7	Handle 	4 pcs
H	BACK PANEL 	1pcs	8	Shelf pin 	8pcs
I	LEFT DOOR 	2pcs	9	Wooden Pegs 10 x 30mm 	12 pcs
K	LEFT DOOR 	2pcs	10	SCREW 4 x 25mm 	1 pcs
M	LEFT SHELF 	1pcs	11	SCREW 4 x 15mm (Flat head screw) 	40 pcs
N	RIGHT SHELF 	1pcs	12	SCREW 4 x 15mm (Umbrella head screw) 	32 pcs
			13	Allen kay 	1 pcs

STEP 1

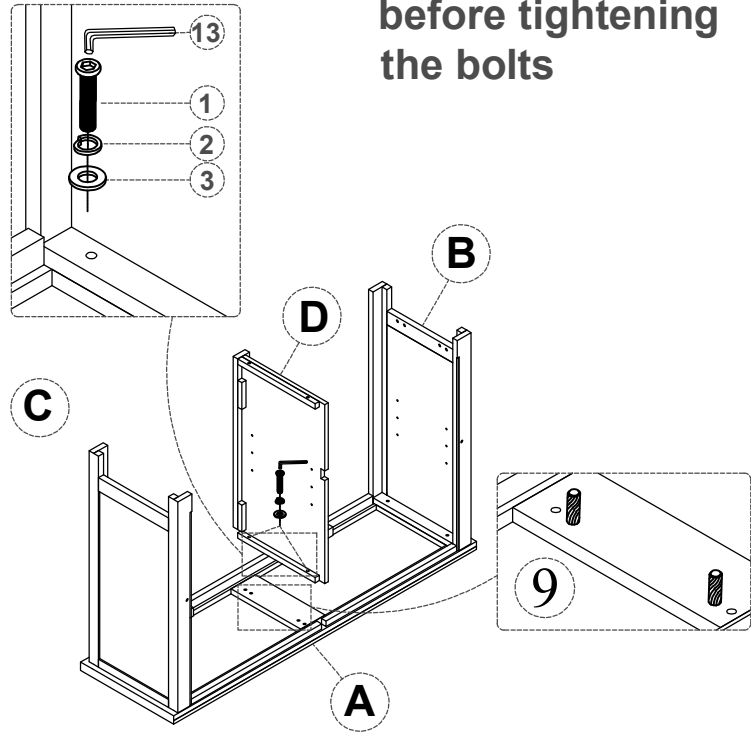
Please assemble all the parts before tightening the bolts



Bolts 5/16 x 40mm ① x 4	Spring Washer 5/16 x 13mm x 1.5mm ② x 4	Flat Washer 5/16 x 16mm x 1.5mm ③ x 4	Wooden Pegs ⑨ x 4	Allen Key ⑬ x 1
-------------------------------	-----------------------------------------------	---------------------------------------------	----------------------	--------------------

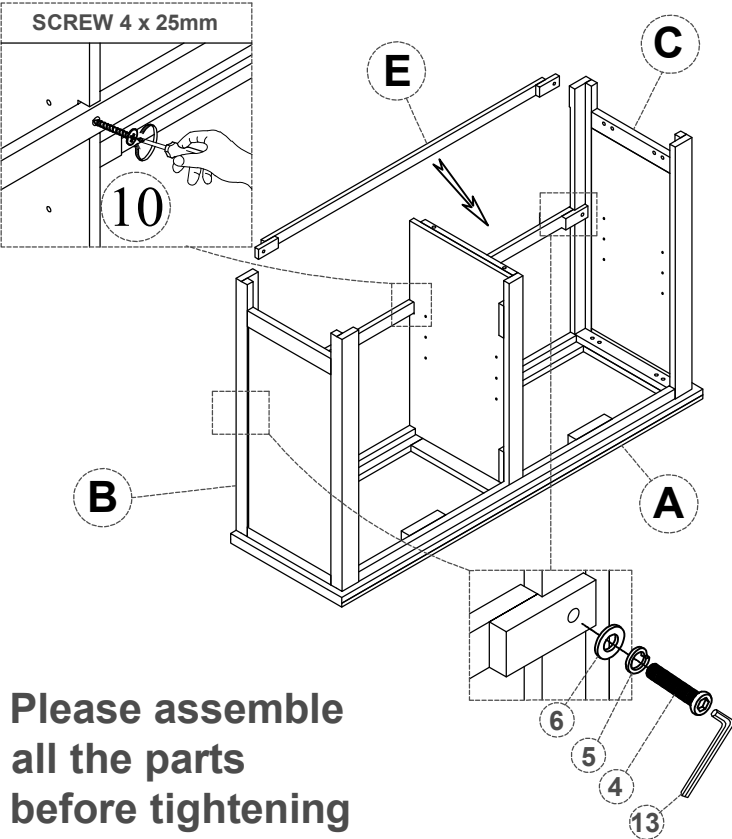
STEP 2

Please assemble all the parts before tightening the bolts



Bolts 5/16 x 40mm ① x 2	Spring Washer 5/16 x 13mm x 1.5mm ② x 2	Flat Washer 5/16 x 16mm x 1.5mm ③ x 2	Wooden Pegs ⑨ x 2	Allen Key ⑬ x 1
-------------------------------	-----------------------------------------------	---------------------------------------------	----------------------	--------------------

STEP 3

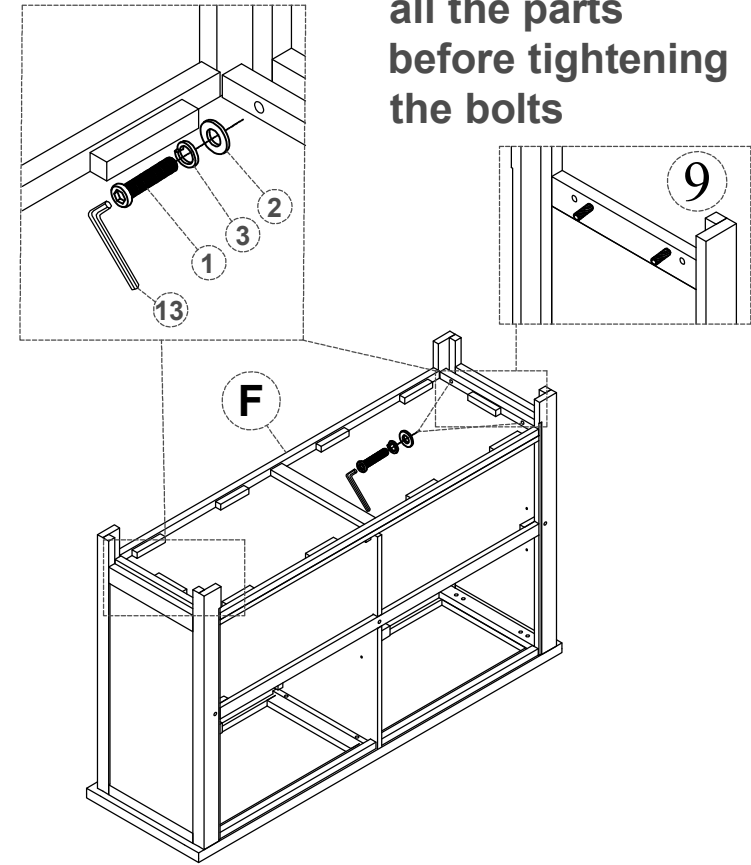


Please assemble all the parts before tightening the bolts

Bolts 1/4 x 40mm ④ x 2	Spring Washer 1/4" x 11mm x 1.5mm ⑤ x 2	Flat Washer 1/4" x 16mm x 1.5mm ⑥ x 2	SCREW 4 x 25mm (Flat head screw) ⑩ x 1	Allen Key ⑬ x 1
------------------------------	-----------------------------------------------	---------------------------------------------	----------------------------------------------	--------------------

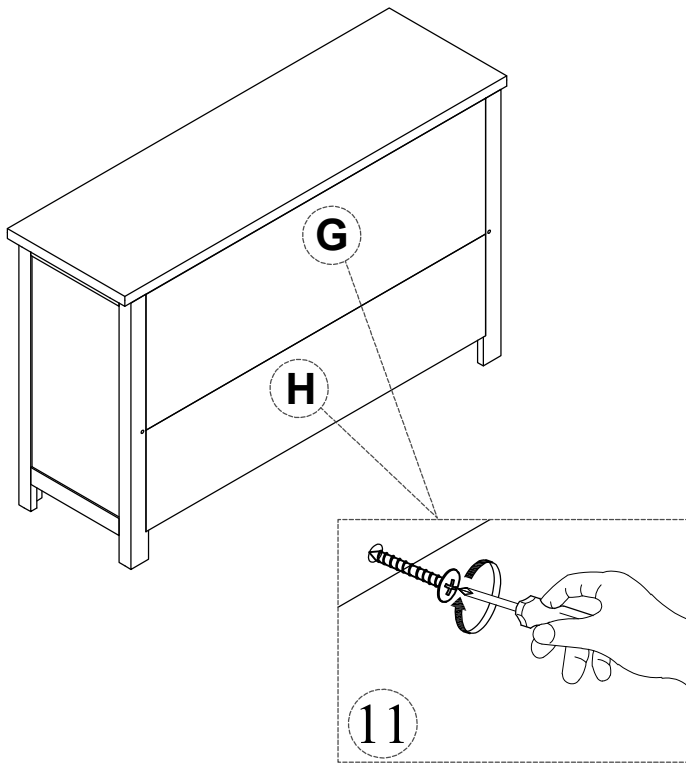
STEP 4

Please assemble all the parts before tightening the bolts



Bolts 5/16 x 40mm ① x 4	Spring Washer 5/16 x 13mm x 1.5mm ② x 4	Flat Washer 5/16 x 16mm x 1.5mm ③ x 4	Wooden Pegs ⑨ x 4	Allen Key ⑬ x 1
-------------------------------	-----------------------------------------------	---------------------------------------------	----------------------	--------------------

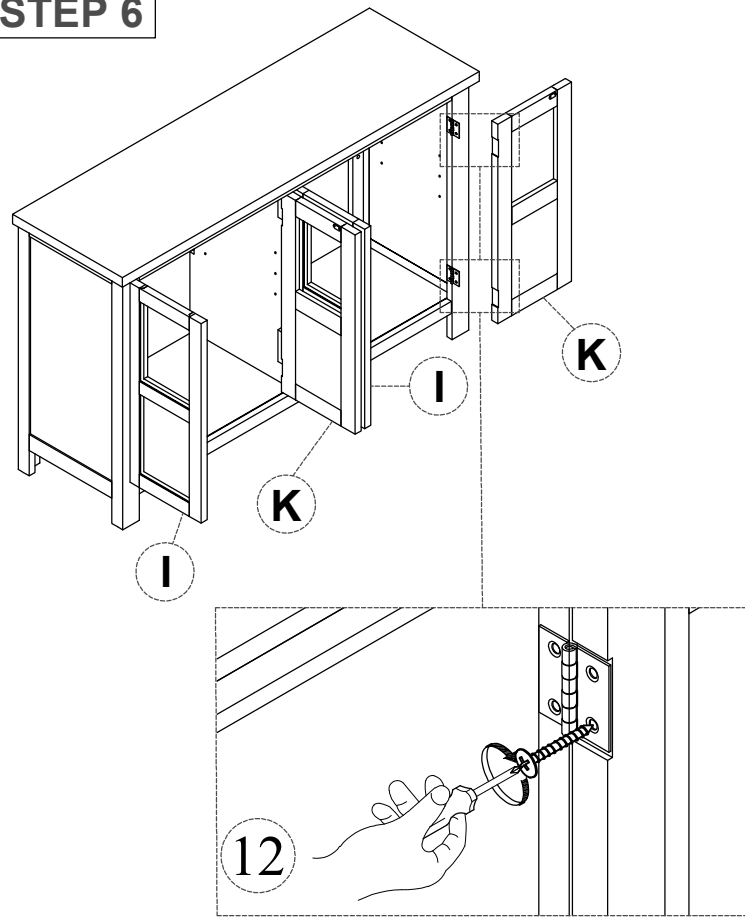
STEP 5



SCREW 4 x 15mm (Flat head screw)

①① x 40

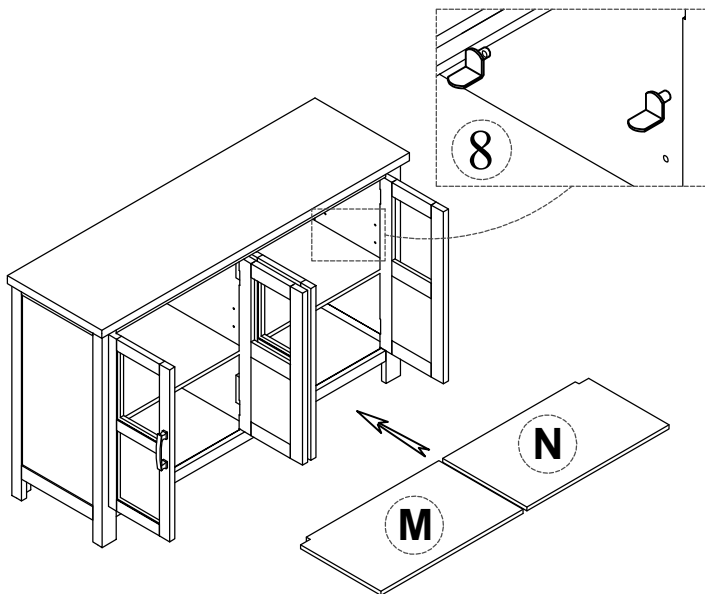
STEP 6



SCREW 4 x 15mm (Umbrella head screw)

①② x 32

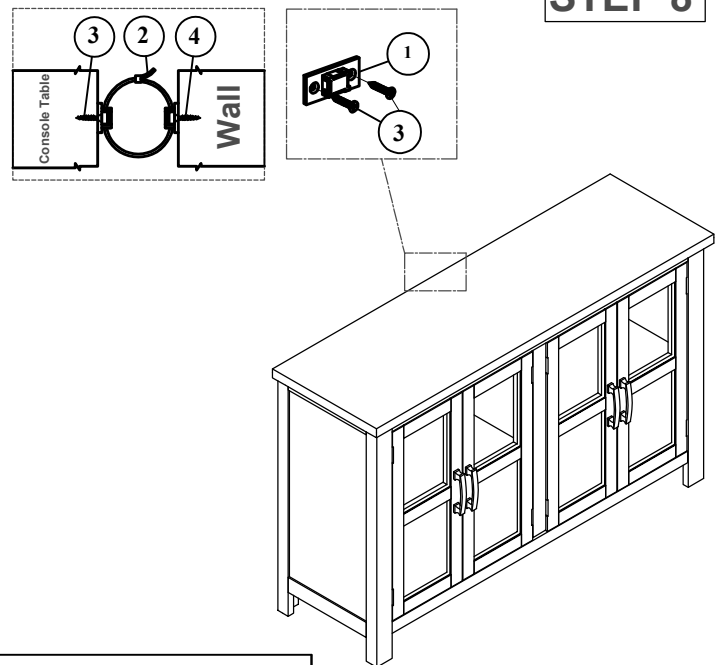
STEP 7







Shelf pin

①⑧ x 8

STEP 8



Anti-Tip Hardware

No	Description	Q'ty
1	BRACKET 	2 pcs
2	PLASTIC STRAP 	1 pcs
3	SHORT SCREW 4 x 20mm 	2 pcs
4	LONG SCREW 4 x 30mm 	2 pcs