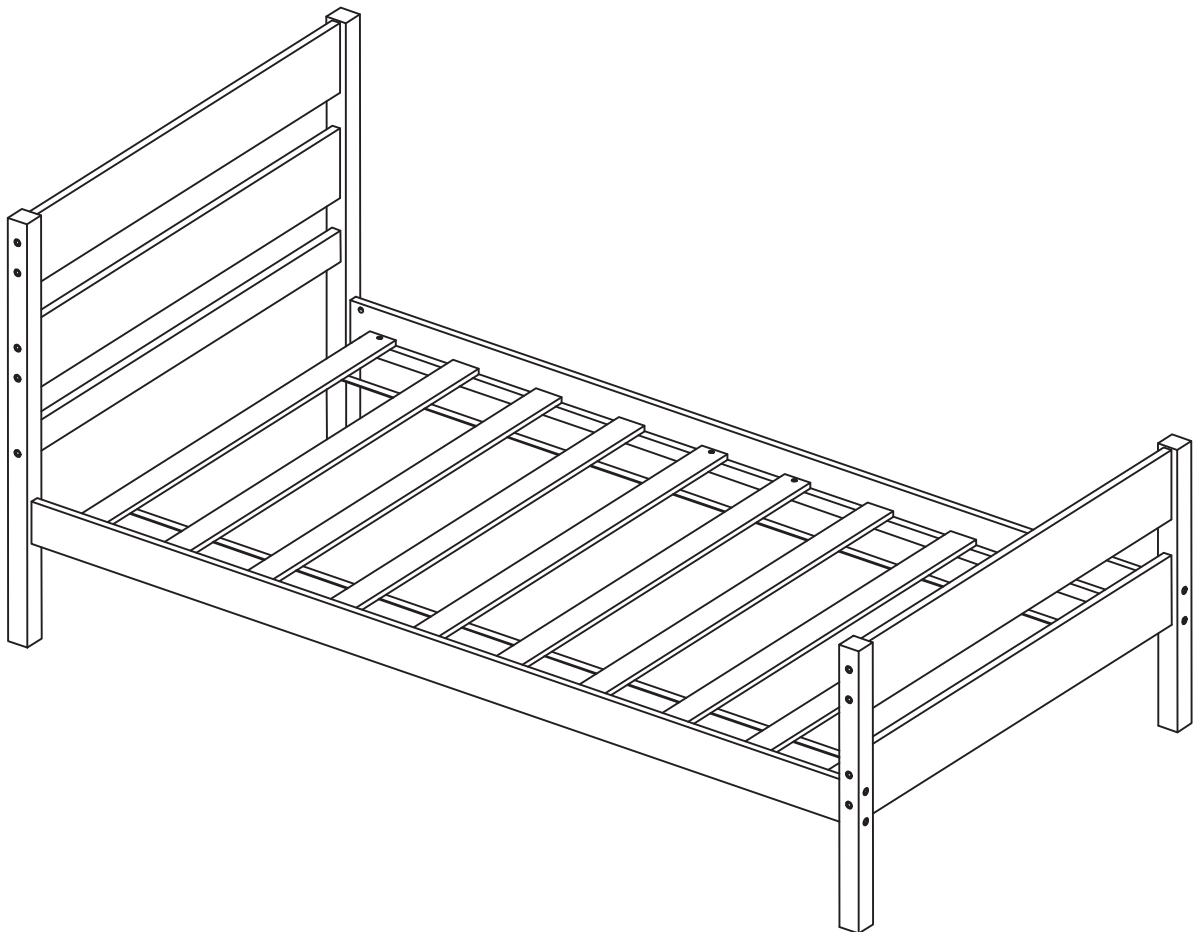
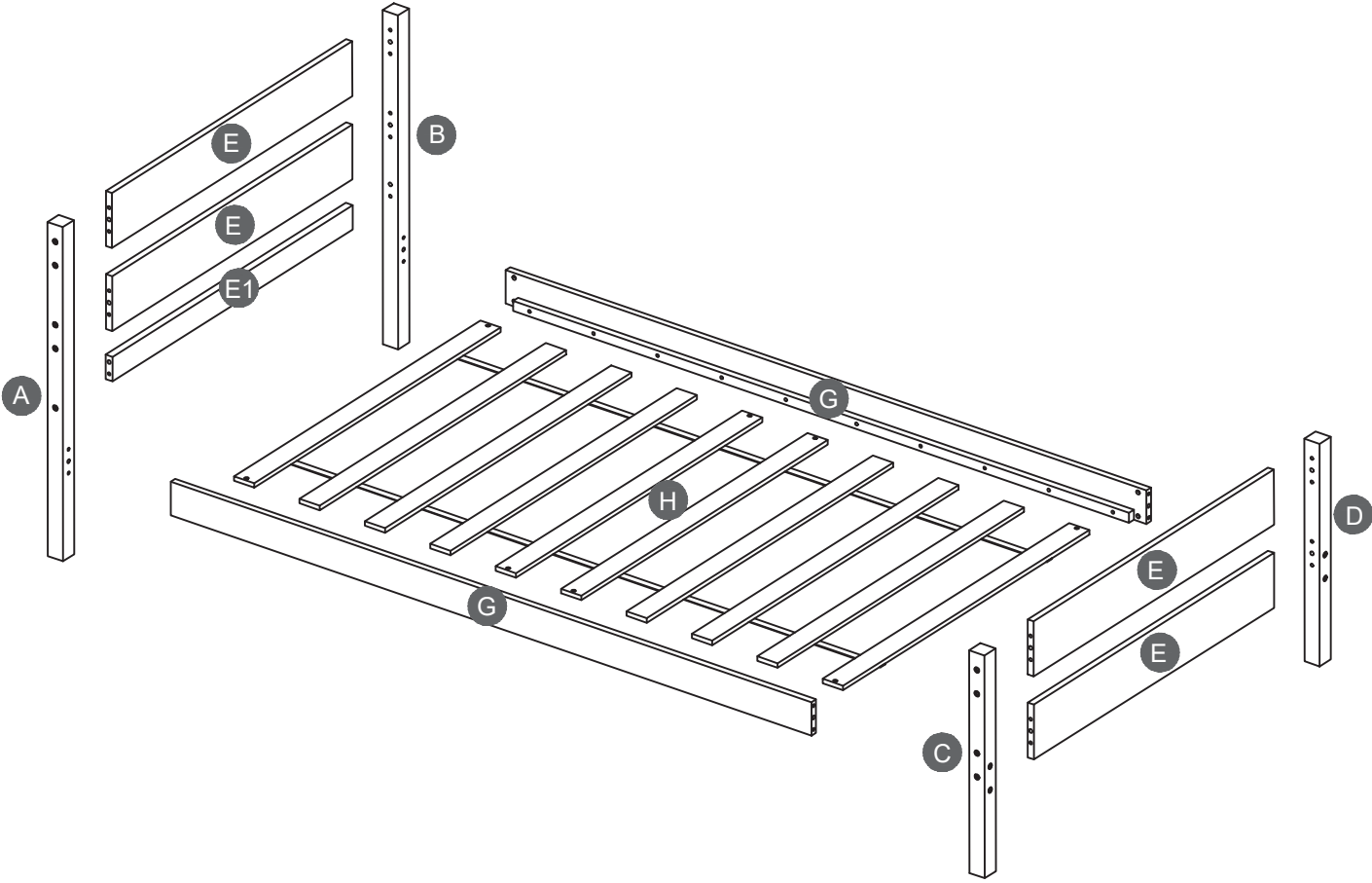


ASSEMBLY INSTRUCTIONS

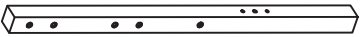



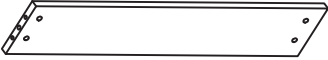
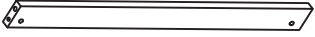


TWIN BED WITH HEADBOARD AND FOOTBOARD



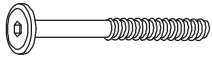

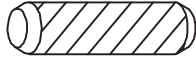


Detail View



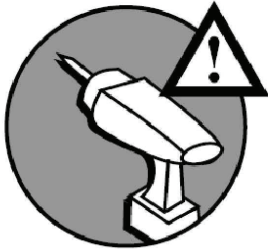
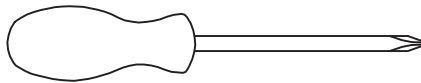
Part List

A  Leg (Headboard Left) - 1pc	B  Leg (Headboard Right) - 1pc	C  Leg (Footboard Left) - 1pc
D  Leg (Footboard Right) - 1pc	E  Panel (Headboard & Footboard) - 4pcs	E1  Bottom Panel (Headboard) - 1pc
G  Side Rail - 2pcs	H  Bed Slats - 1Set	

Hardware List




1  M6 x 80mm JCBC (26pcs)	2  M6 x 15mm Barrel Nut (26pcs)	3  M10 x 30mm Wood Dowel (14pcs)
4  M4 x 25mm CSK Screw (8pcs)	5  M4 Allen Key (1pc)	

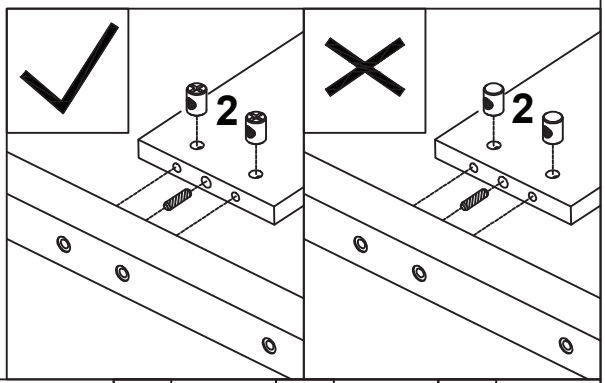
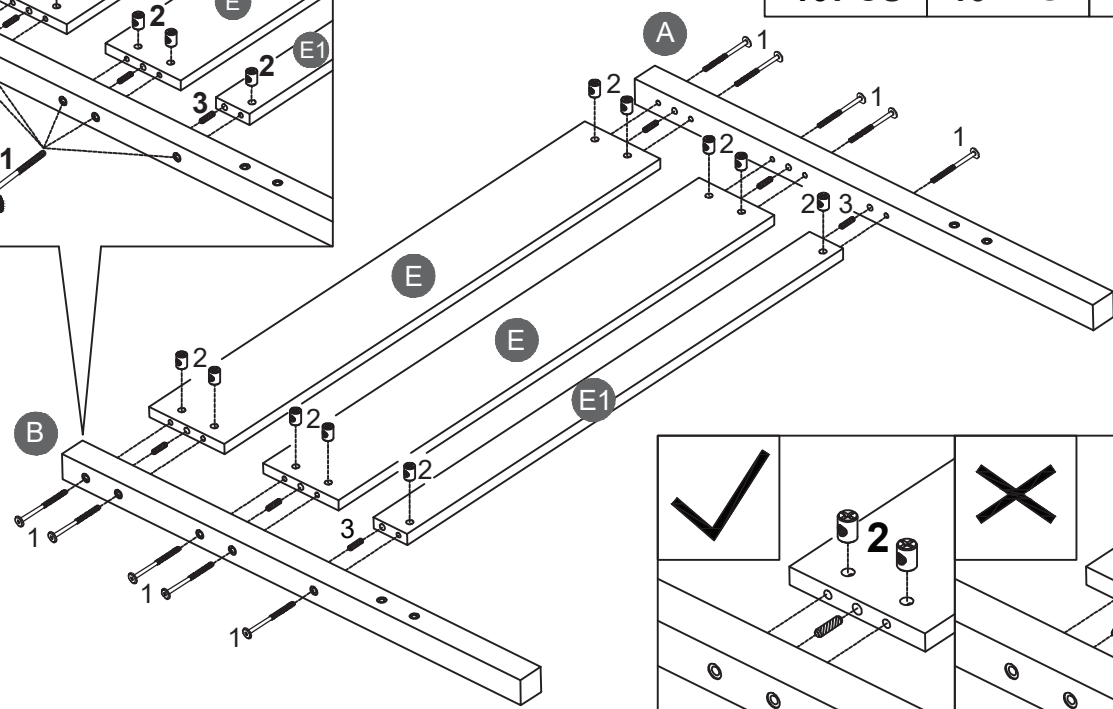
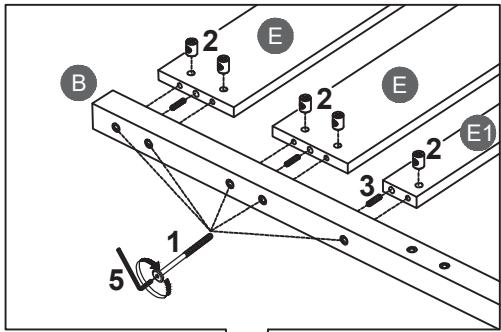
ASSEMBLY TOOLS REQUIRED (NOT INCLUDED)



PLEASE BE CAREFUL DO NOT DAMAGE THE HOLE POSITION WHEN YOU USE POWER TOOLS !




STEP 1:

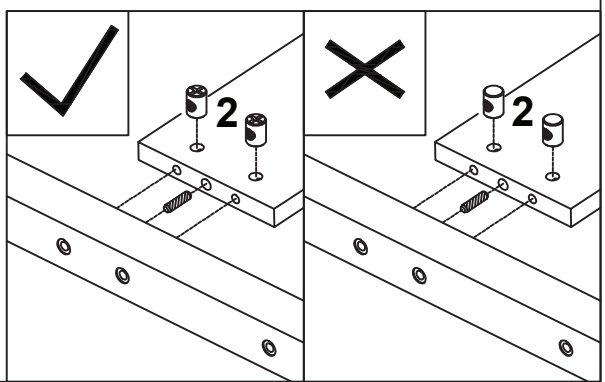
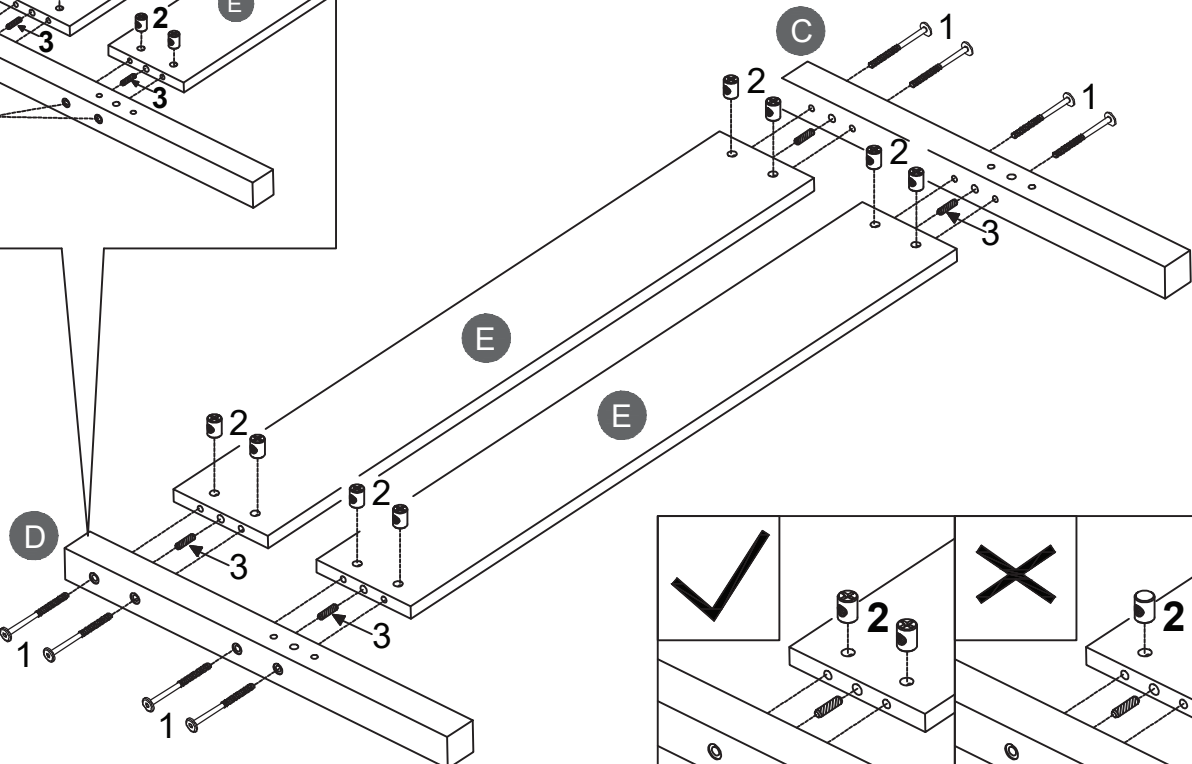
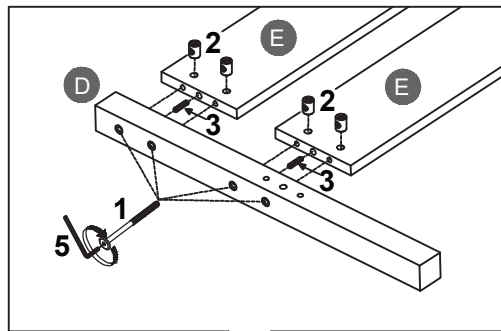
1		2		3	
10PCS		10PCS		6PCS	



Note: Part 2 will face up with the "x" mark on it, otherwise it cannot be tightened




STEP 2:

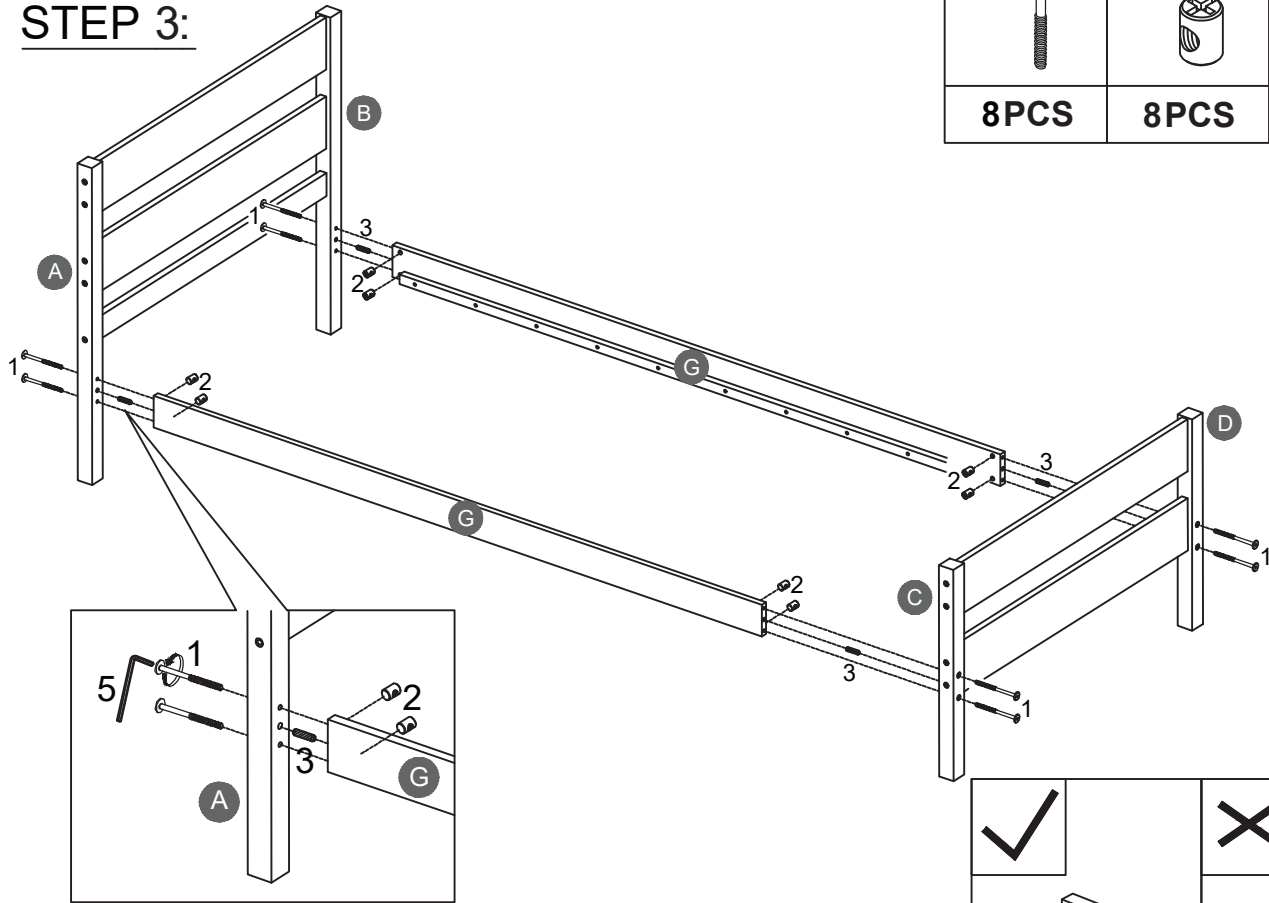
1		2		3	
8PCS		8PCS		4PCS	



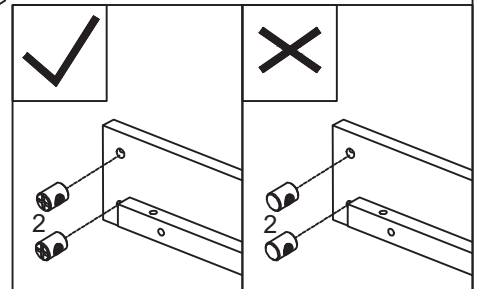
Note: Part 2 will face up with the "x" mark on it, otherwise it cannot be tightened

STEP 3:


1		2		3	
8PCS		8PCS		4PCS	



Note: Part 2 will face up with the "x" mark on it, otherwise it cannot be tightened



STEP 4:

4	
8PCS	

