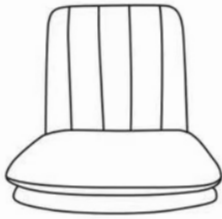


ASSEMBLY INSTRUCTION



Ax1



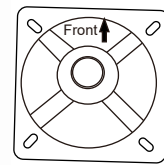
Bx2



Cx1



Dx4



Ex1



Fx1



Gx4



6X28MM
Hx8



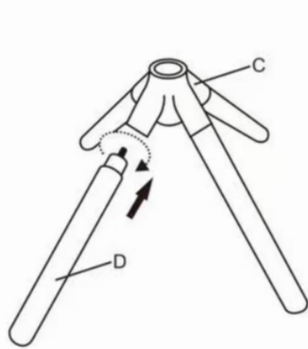
6X20MM
Ix4



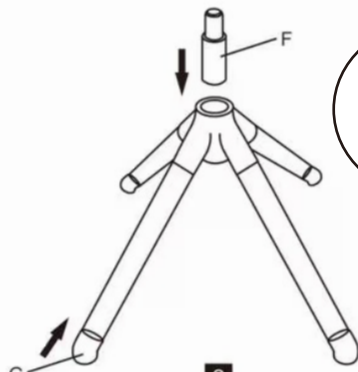
Jx1



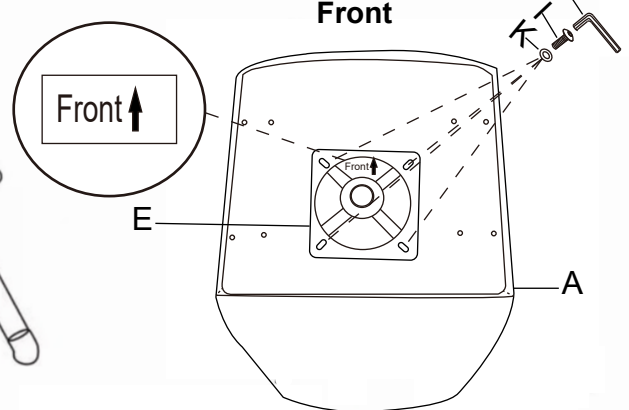
Kx4



1

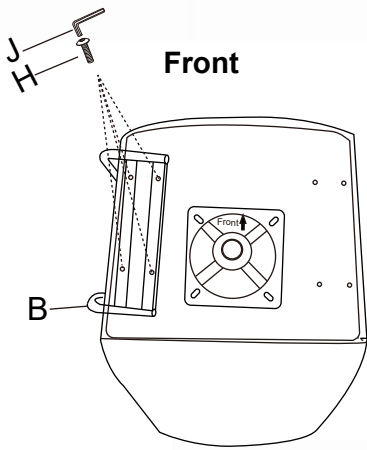


2

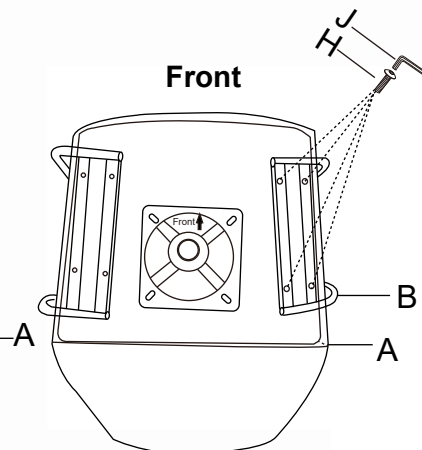


3 Back

NOTE:When installing,the arrow on the tray should face forward.



4 Back



5 Back



6