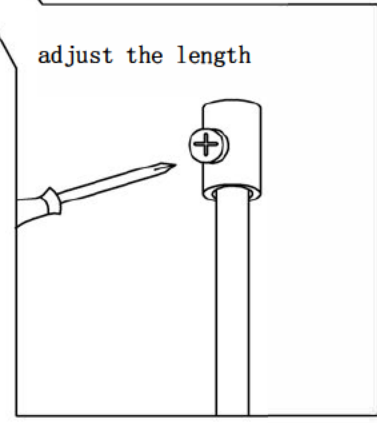
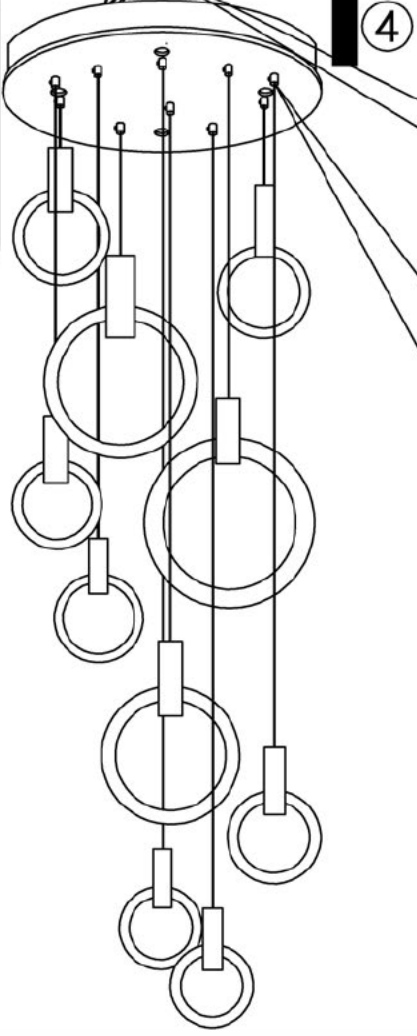
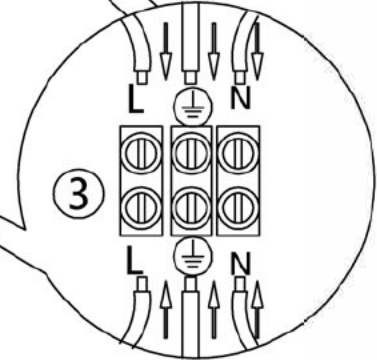
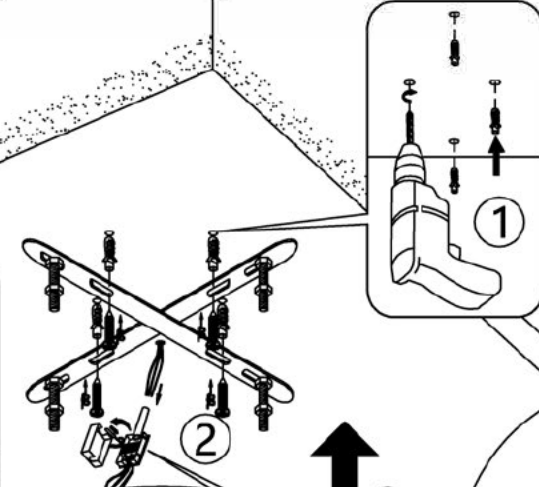
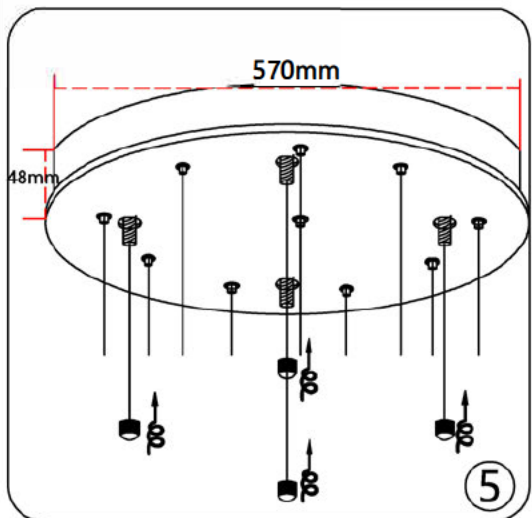


# INSTRUCTION MANUAL REC



220~240V  
50Hz



230V~50Hz