

Assembly Instructions

Caution : You must read this before you proceed



SAFETY WARNING

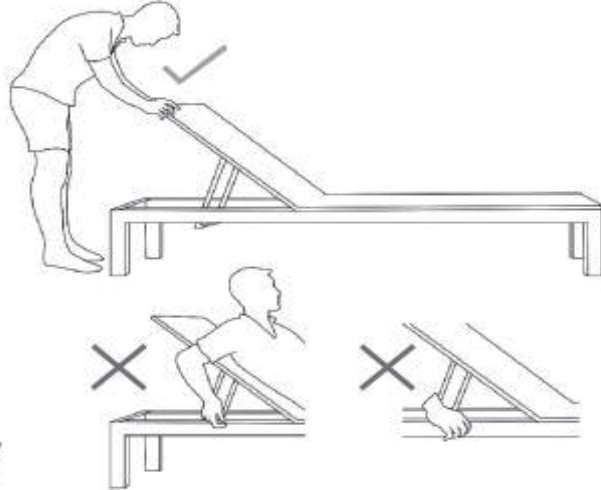
Never adjust chaise lounge or recliner backrest while seated.

Always make sure the backrest is flat before moving the chaise lounge.










Keep all limbs clear from under the backrest when it is in a raised position.

Serious finger, hand, or other bodily injuries may result from adjusting the chaise lounge backrest position while seated.

The examples pictured above are non exhaustive and are for your reference only

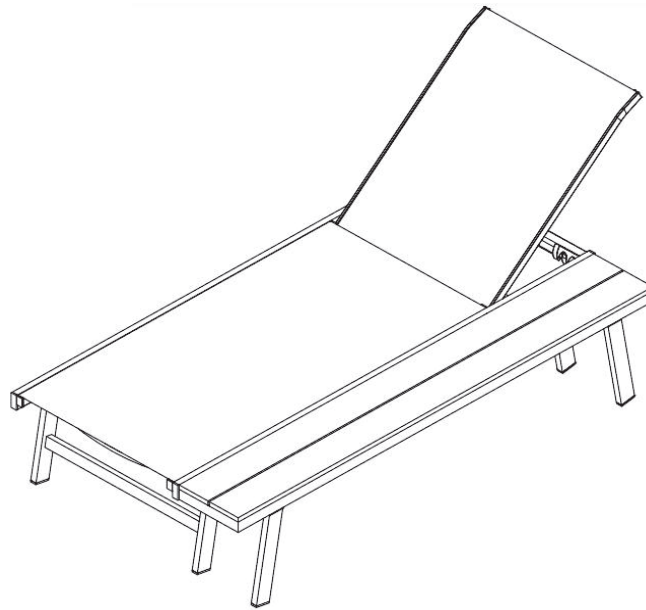


Care & Maintenance

- ⊘  • Not for commercial use. For residential use only.
 - ⊘  • Do not put hot items directly on the furniture surface.
 - ⊘  • Do not clean furniture with harsh cleansers or polish.
 - ✓  • To obtain the longest lifespan of your outdoor products, minimizing exposure to direct sunlight is recommended.
 - ⊘  • Children should not climb or jump on the furniture.
 - ⊘  • Do not write on furniture without a padded barrier to protect the surface.
 - ✓  • To obtain the longest lifespan of your outdoor products, avoid extended and lengthy exposure to rain, snow, and direct sunshine. Whenever possible, cover the product and/or place under patio or awnings.
 - ⊘  • Stains may be removed with mild soap solution and damp cloth.
- ✓  • Dust and pick-up spills using a clean, non-colored, lint-free cloth.

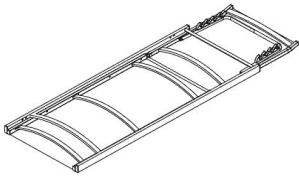
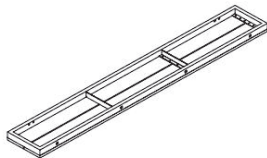
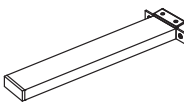
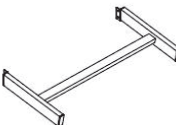
**Please look in boxes for hardware packs and legs.
Sets often ship in multiple boxes and may arrive a day or two apart.**

Chaise Lounge






**Caution: This Lounge is NOT a TOY.
Keep your child / children at bay during the assembly process.**

Parts List

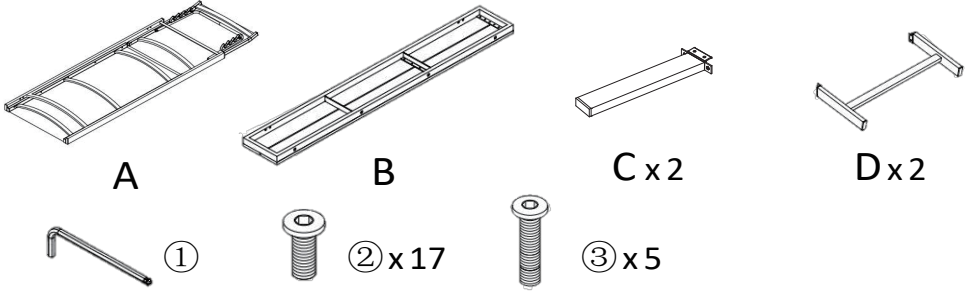
Label	Picture	Description	QTY
A		Seat Panel	1
B		Table Top	1
C		Table Leg	2
D		Lounge Leg	2

Hardware






Label	Picture	Description	QTY
①		Allen wrench	1
②		Bolt (M6*20MM)	17
③		Bolt (M6*35MM)	5

Assembly Preparation

Before Beginning Assembly:

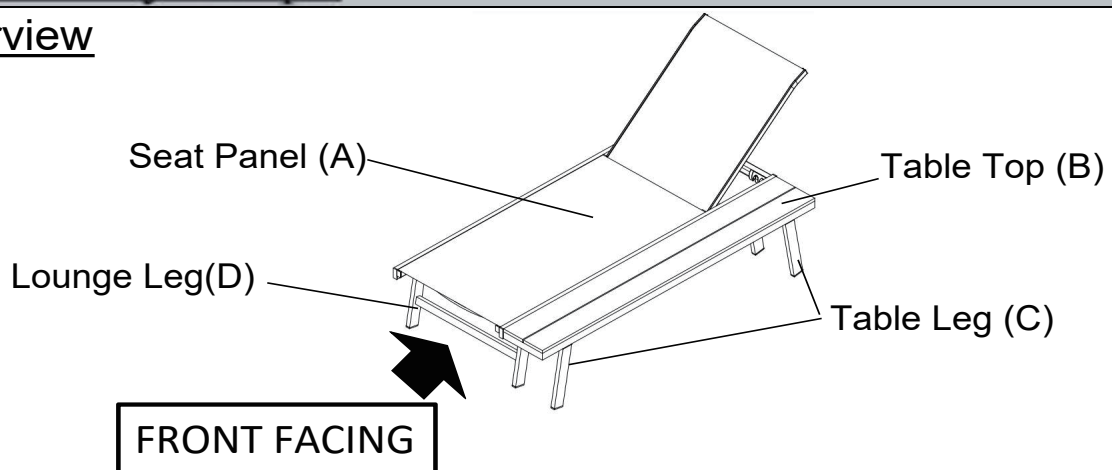


The diagram illustrates the components for assembly preparation. Part A is the seat panel, B is the table top, C x 2 are table legs, and D x 2 are lounge legs. Hardware includes one Allen wrench (①), 17 M6*20MM bolts (②), and 5 M6*35MM bolts (③).

-  • Read instructions, cover to cover-
-  • Have 2 adults on hand for assembly-
-  • Do not assemble on flooring or carpet-
-  • Assemble on a clean non-marring surface (packing foam)-
-  • Save all packaging until finished-

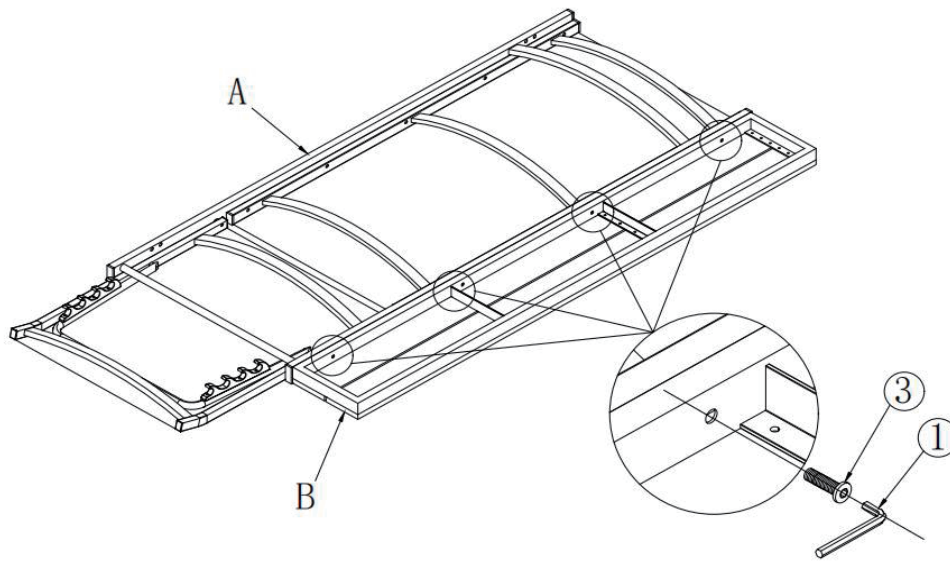
Assembly Steps

Overview



This Chaise Lounge has multiple parts and may require up to 30 minutes to assemble. To give you an overview of the Chaise Lounge parts, the above picture is to help you put the various parts into perspective. Please read through the instructions below to familiarise yourself with the parts and steps before assembly.

Step 1

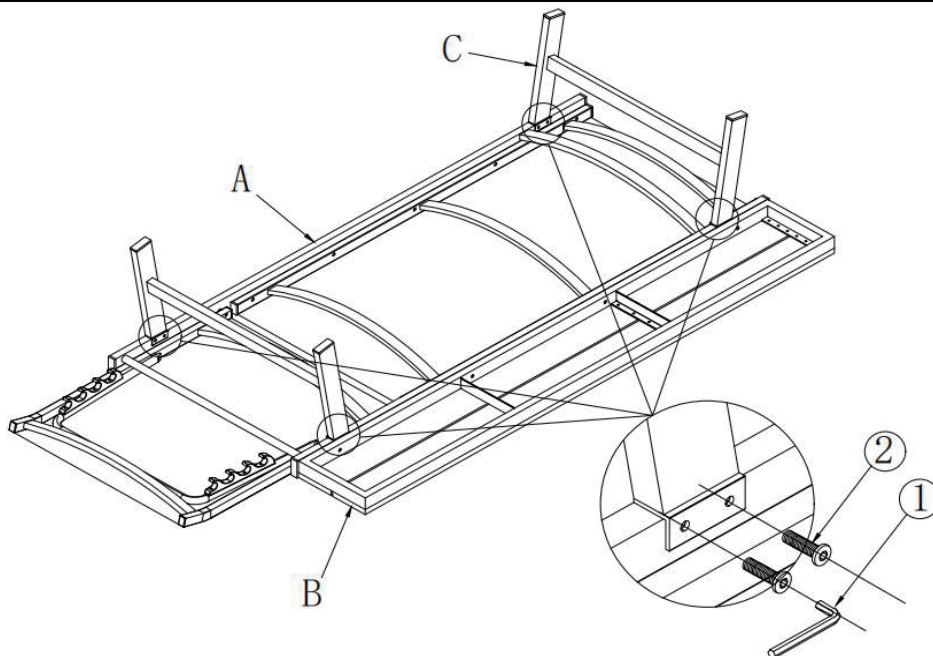


Open the carton and place all the parts on a clean, non-marring surface.

Attach the Table Top(B) to Seat Panel(A) using Bolts(③) with Allen Wrench(①) as shown above.

Fully Tighten the Bolts.

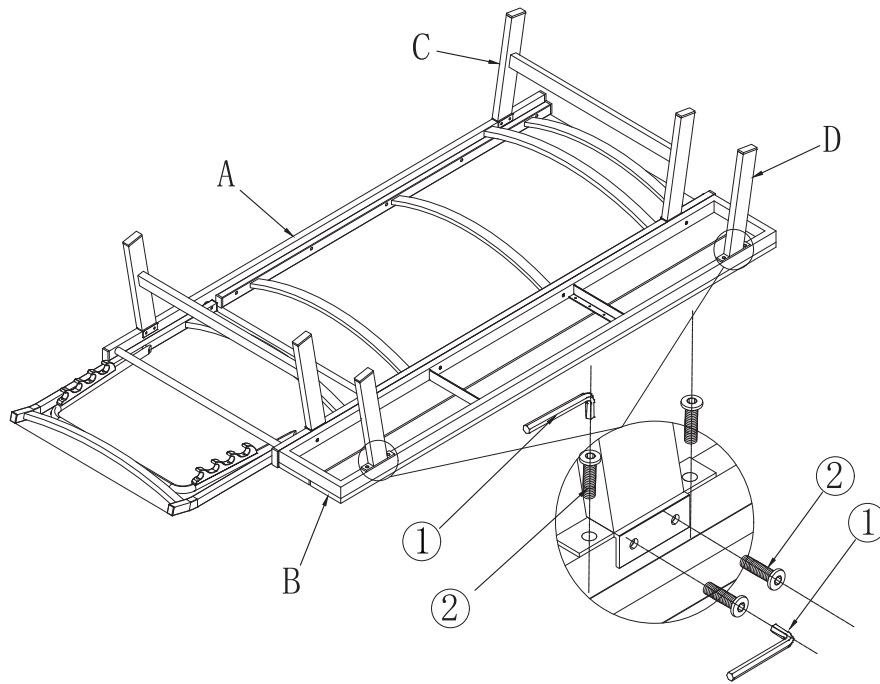
Step 2



Attach the Lounge Leg(C) to Seat Panel(A) using Bolts(②) with Allen Wrench(①) as shown above.

Fully Tighten the Bolts.

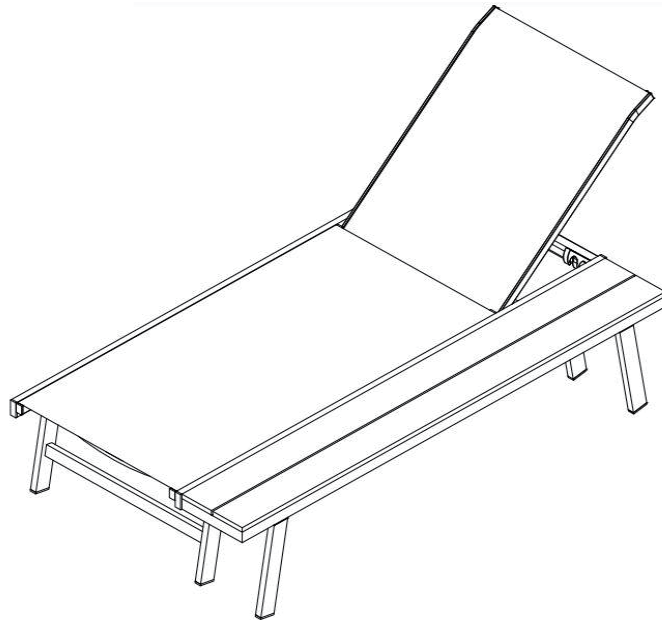
Step 3



Attach the Table Leg(D) to Table Top(B) using Bolts(2) with Allen Wrench(1) as shown above.

Fully tighten the Bolts.

Step 4



Stand the Chaise Lounge up.
Your Chaise Lounge is ready for use.
This Chaise Lounge can only be used on a flat, level surface.

Questions & Answers about Proposition 65

- What is Proposition 65?

Proposition 65 requires businesses to provide warnings to Californians about significant exposures to chemicals that cause cancer, birth defects or other reproductive harm. These chemicals can be in the products that Californians purchase, in their homes or workplaces, or that are released into the environment. By requiring that this information be provided, Proposition 65 enables Californians to make informed decisions about their exposures to these chemicals.

Proposition 65 also prohibits California businesses from knowingly discharging significant amounts of listed chemicals into sources of drinking water.

Proposition 65 requires California to publish a list of chemicals known to cause cancer, birth defects or other reproductive harm. This list, which must be updated at least once a year, has grown to include approximately 900 chemicals since it was first published in 1987.

- What types of chemicals are on the Proposition 65 list?

The list contains a wide range of naturally occurring and synthetic chemicals that include additives or ingredients in pesticides, common household products, food, drugs, dyes, or solvents. Listed chemicals may also be used in manufacturing and construction, or they may be byproducts of chemical processes, such as motor vehicle exhaust.

- What does a warning mean?

If a warning is placed on a product label or posted or distributed at a workplace, a business, or in rental housing, the business issuing the warning is aware or believes that it is exposing individuals to one or more listed chemicals.

By law, a warning must be given for listed chemicals unless the exposure is low enough to pose no significant risk of cancer or is significantly below levels observed to cause birth defects or other reproductive harm.

- Where can I get more information on Proposition 65?

If you have specific questions on the administration or implementation of Proposition 65, you can contact OEHHA's Proposition 65 program at P65.Questions@oehha.ca.gov, or by phone at (916) 445-6900.