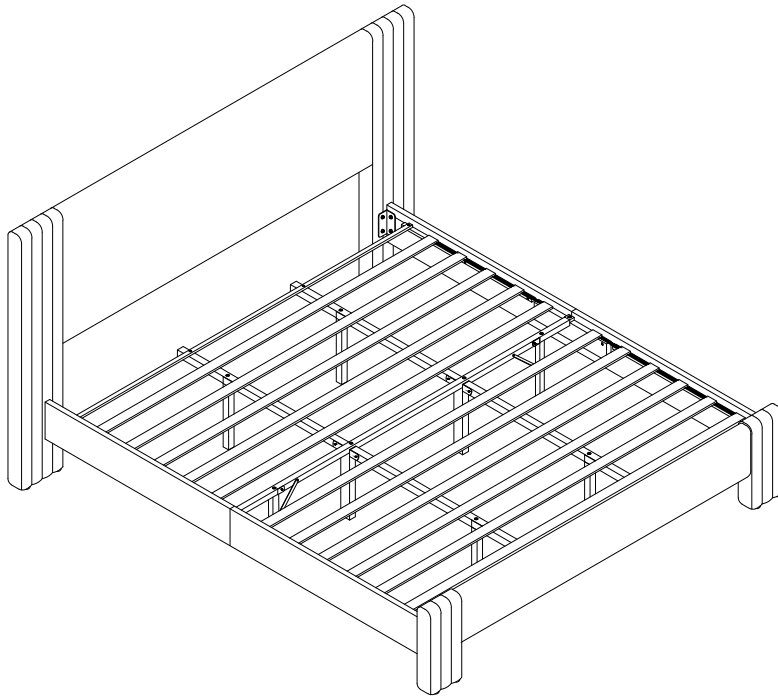


# ASSEMBLY INSTRUCTION



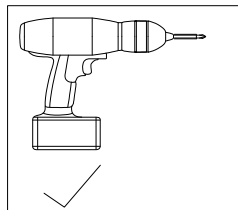
Please **TEAR OFF** this shrink film from side!  
**DO NOT USE CUTTER!**

## IMPORTANT NOTE

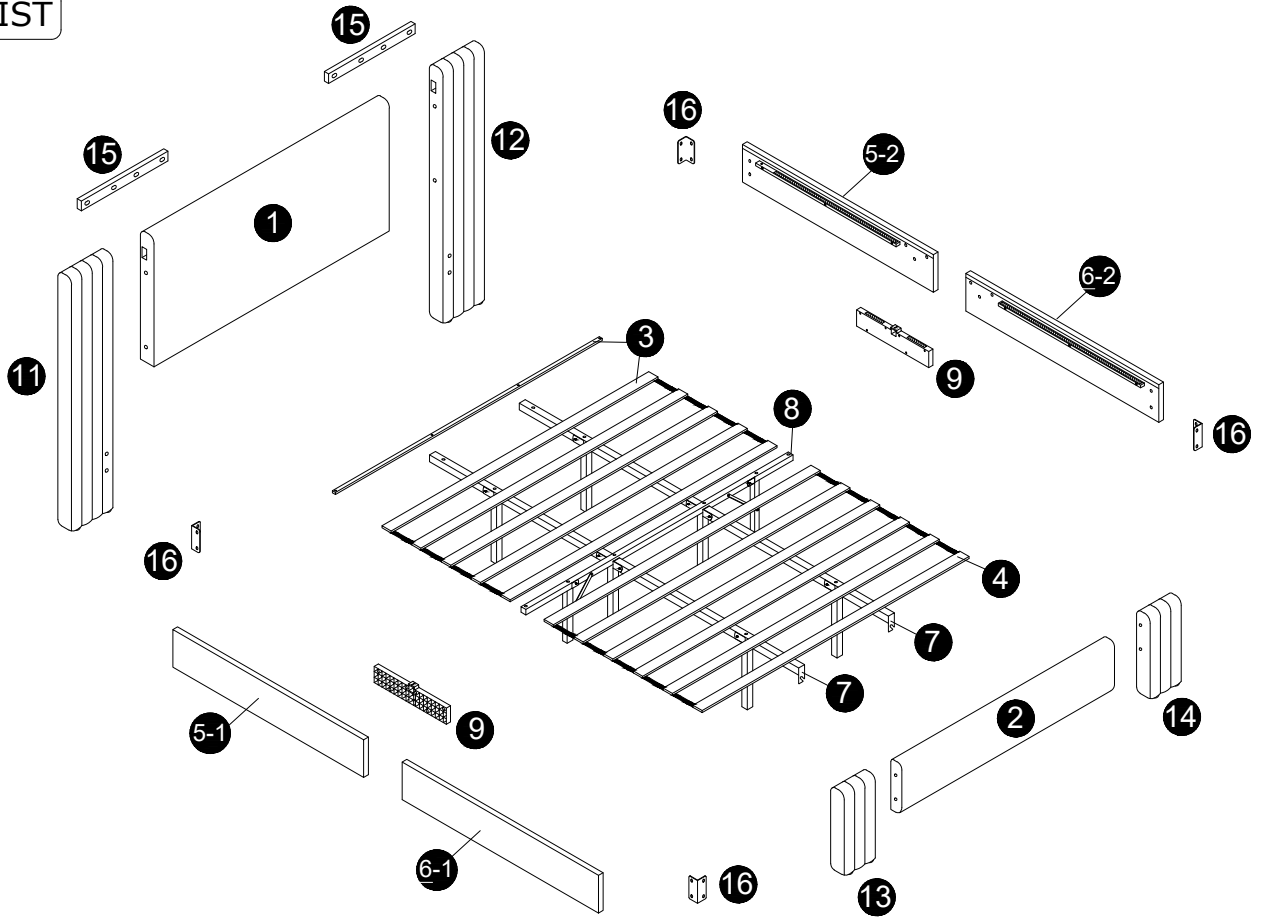
1. For the protection of your furniture, place all parts on a clean and smooth surface to prevent any damage.
2. Keep fittings out of children's reach and keep children well away from construction area.
3. When moving your assembled bed, it is best to lift the bed and never to drag it.
4. Do not use this product if parts are missing, damaged or worn.
5. This product should only be used on firm, level ground.
6. Please periodically check all fittings and re-tighten as necessary.
7. Do not use the bed unless all bolts and screws are firmly secured.



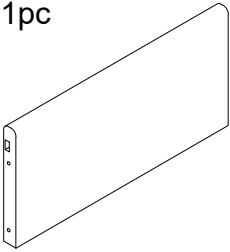
Minimum two  
person assembly



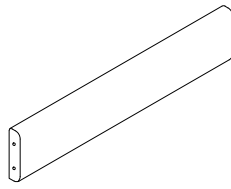
**PART LIST**



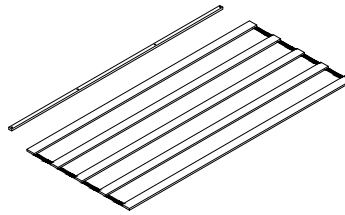
**1** x 1pc



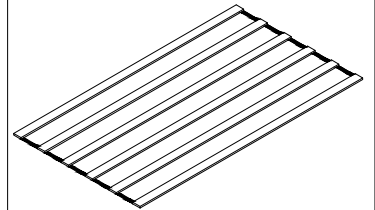
**2** x 1pc



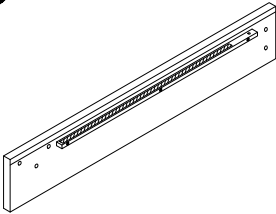
**3** x 1pc



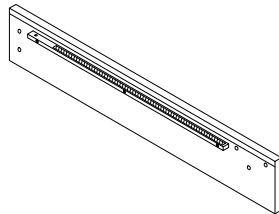
**4** x 1pc



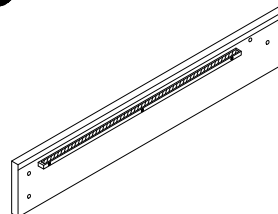
**5-1** x 1pc



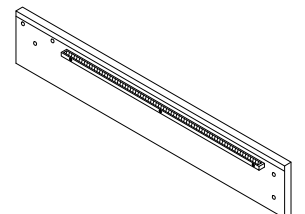
**5-2** x 1pc



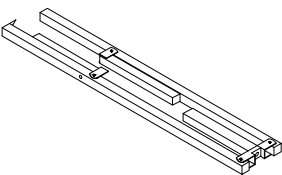
**6-1** x 1pc



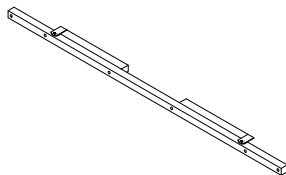
**6-2** x 1pc



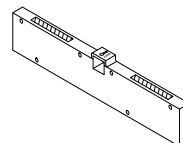
**7** x 2pcs



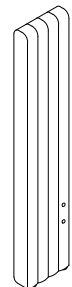
**8** x 1pc



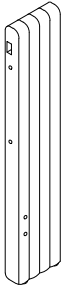
**9** x 2pcs



**11** x 1pc



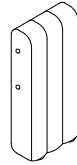
12 x 1pc



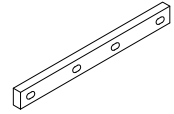
13 x 1pc



14 x 1pc



15 x 2pcs



16 x 4pcs



**HARDWARE LIST**

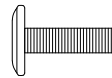
**Please ensure to thoroughly inspect the small inner cardboard box containing the hardware, which are tied with a red string, before disposing of the box.**



H1 M5 x 1pc



H2 M8x20mm x 14pcs



H3 M8x30mm x 8pcs



H4 M8x40mm x 22pcs



H5 M8 x 8pcs



H6 M8x22mm x 20pcs

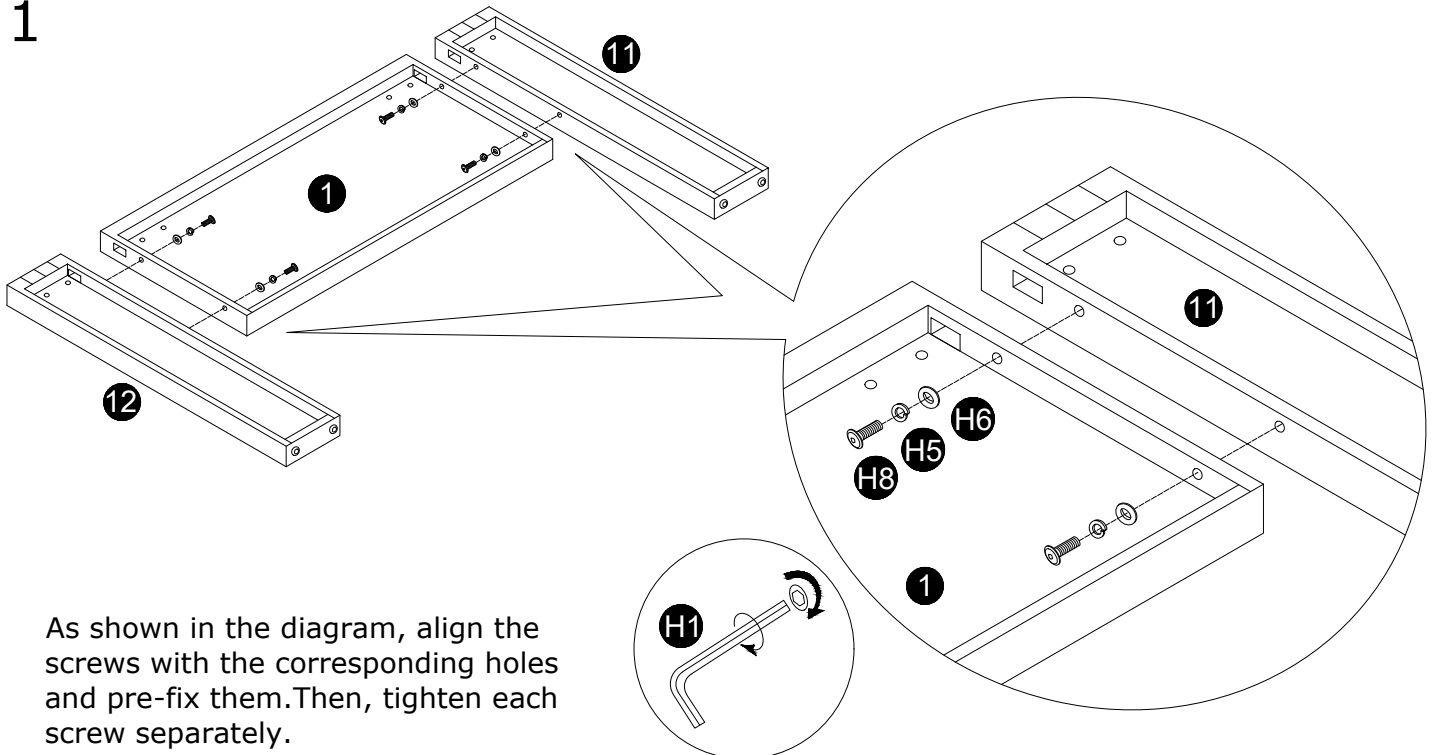


H7 M8x60mm x 2pcs



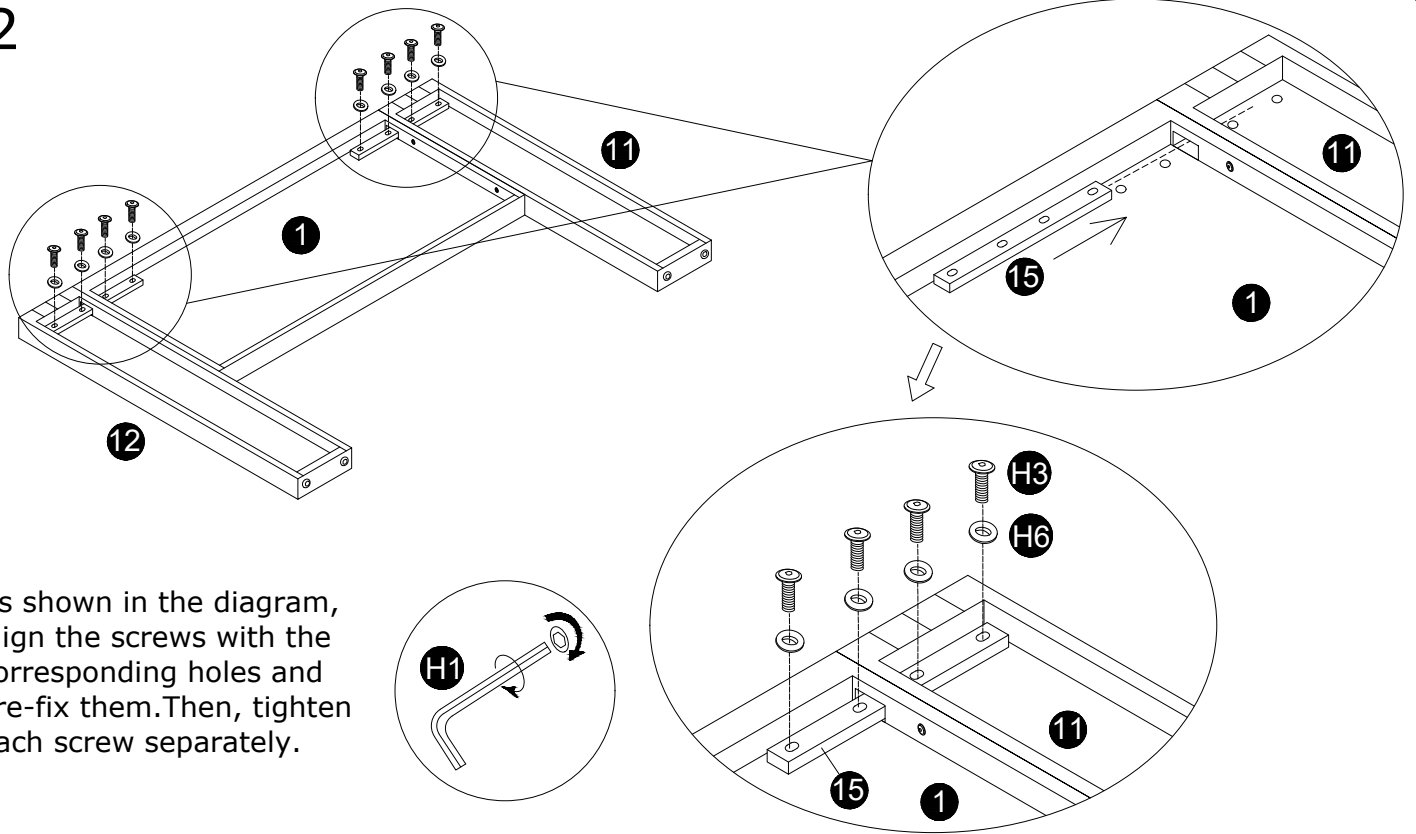
H8 M8x45mm x 14pcs

1



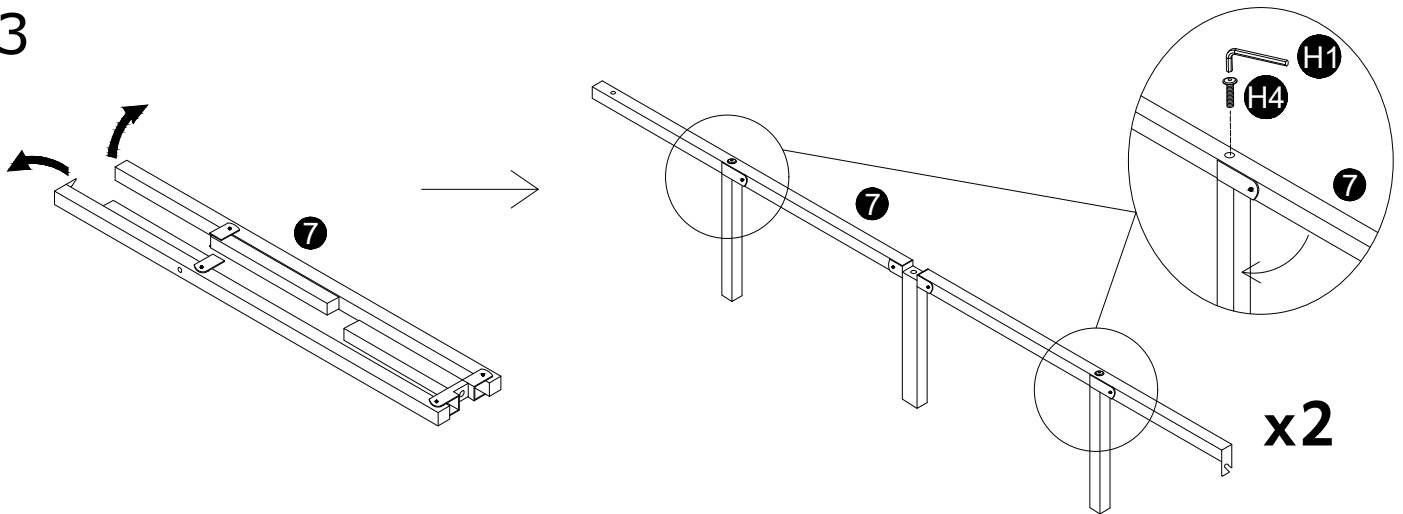
As shown in the diagram, align the screws with the corresponding holes and pre-fix them. Then, tighten each screw separately.

2



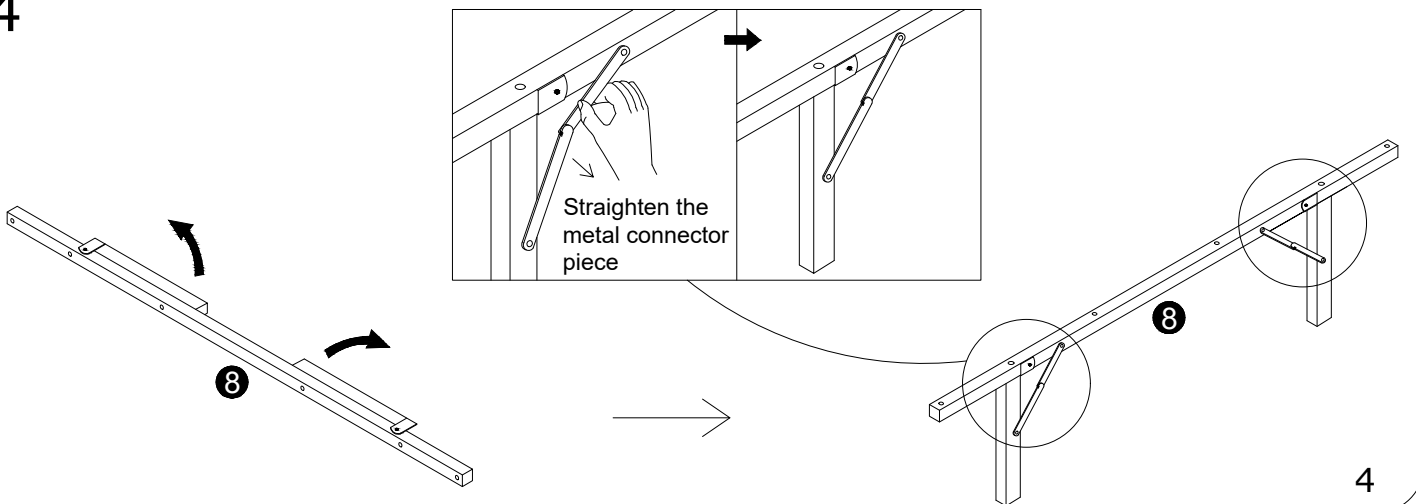
As shown in the diagram, align the screws with the corresponding holes and pre-fix them. Then, tighten each screw separately.

3



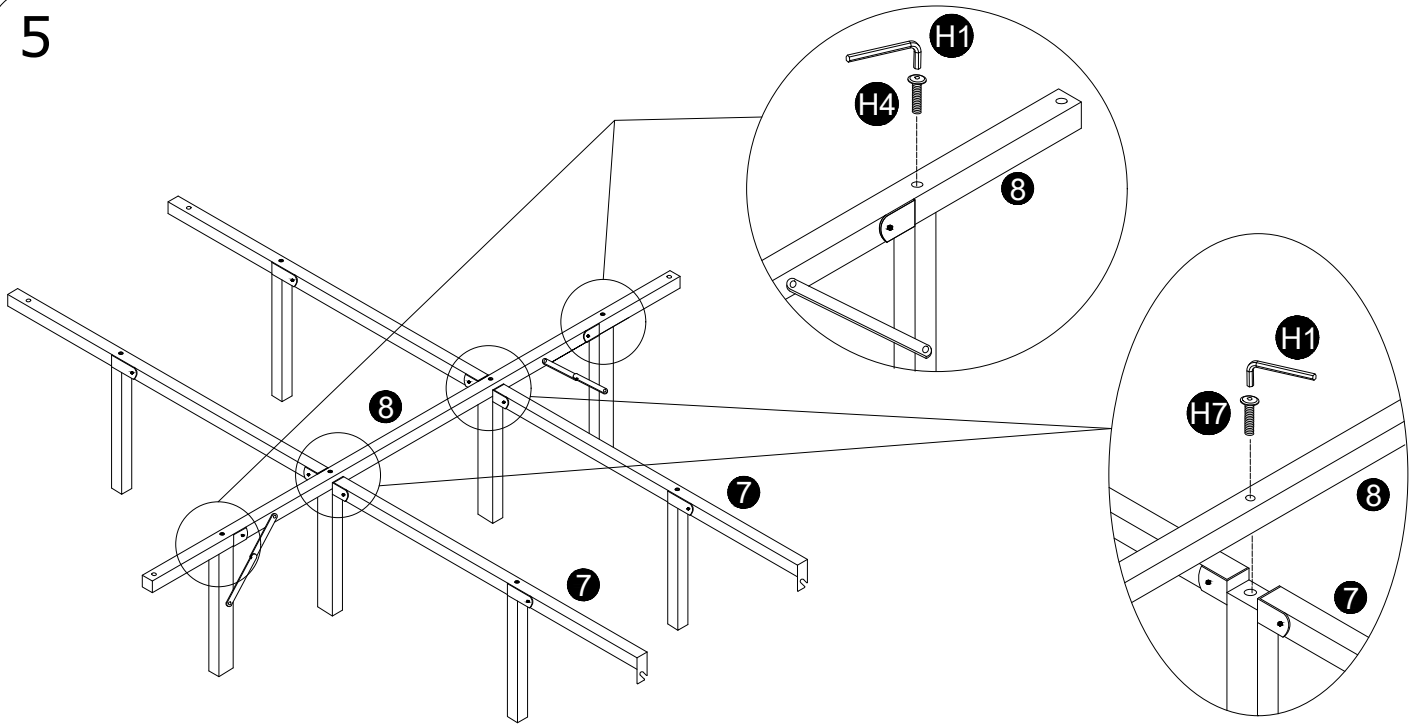
4

BEWARE OF CLAMP HAND

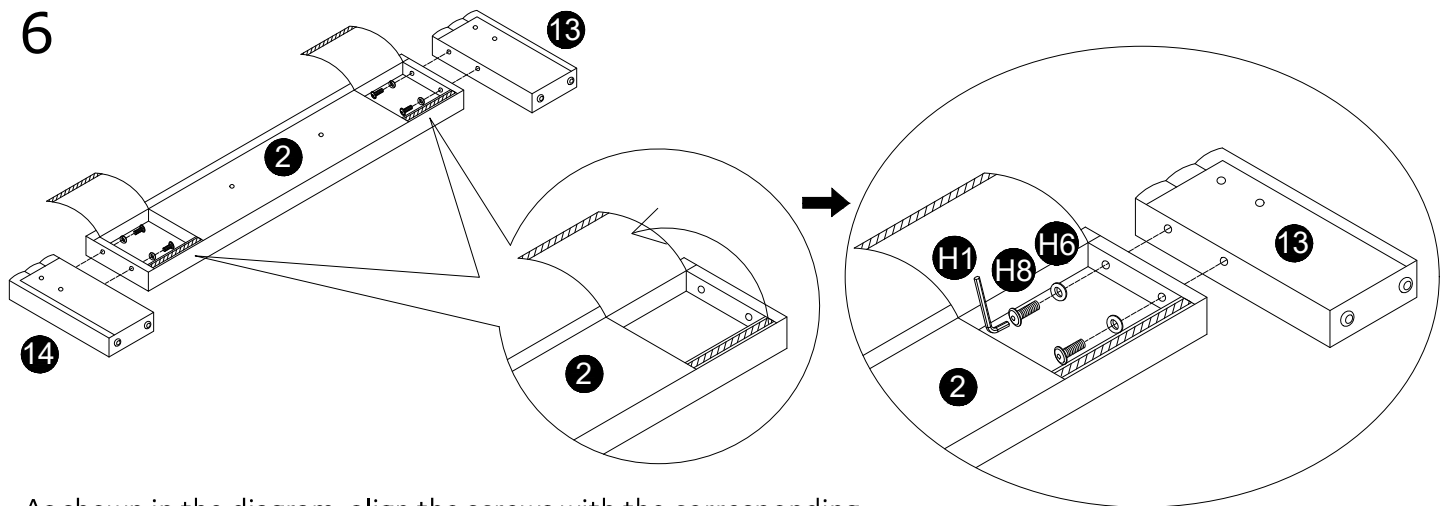


4

5

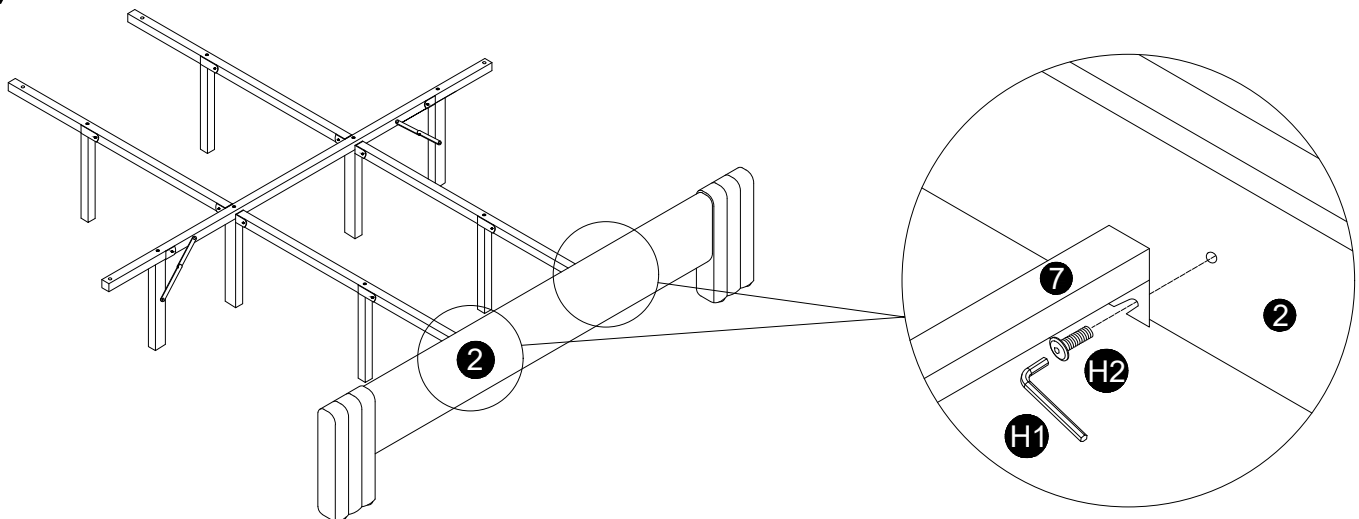


6

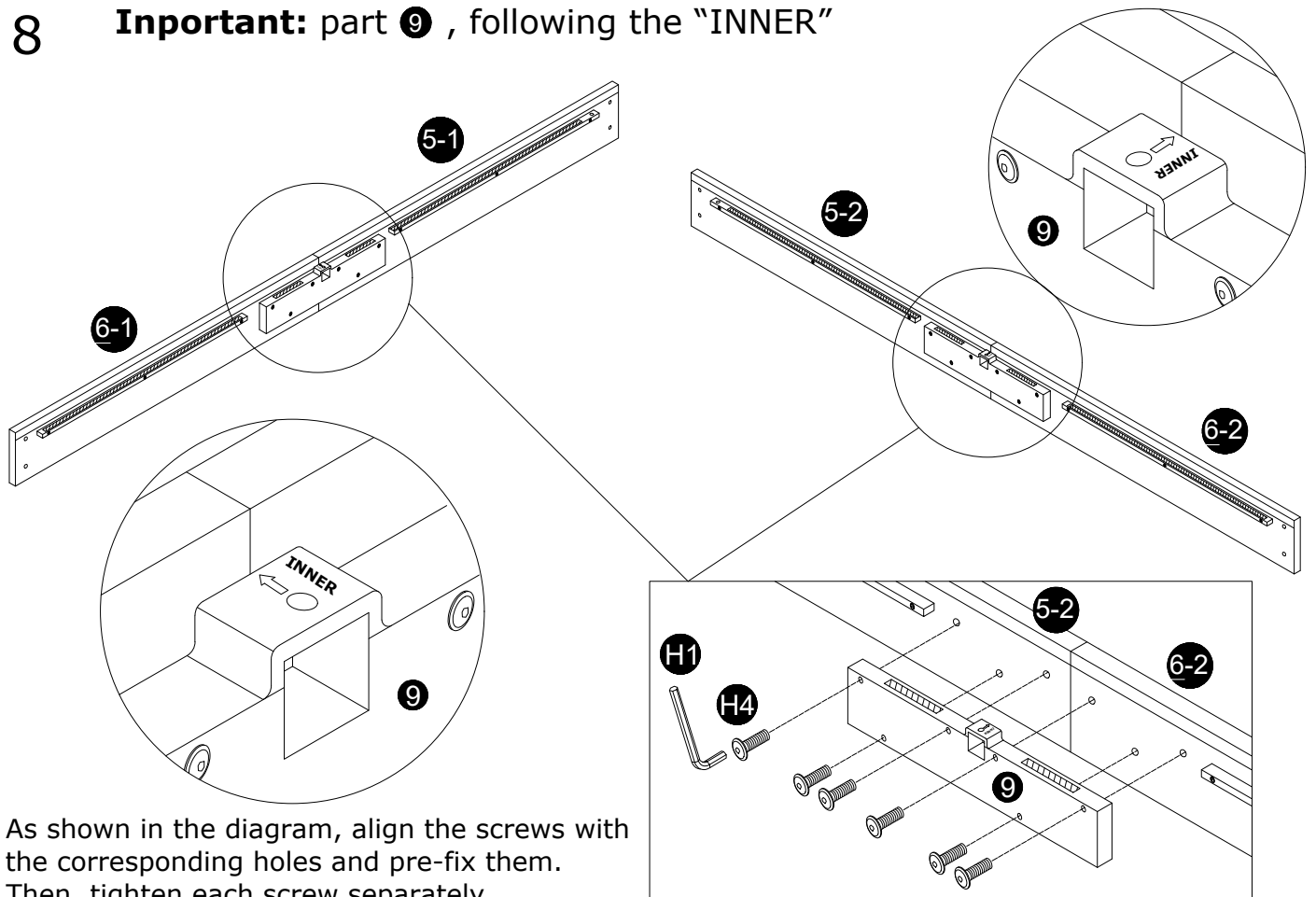


As shown in the diagram, align the screws with the corresponding holes and pre-fix them. Then, tighten all screws from.

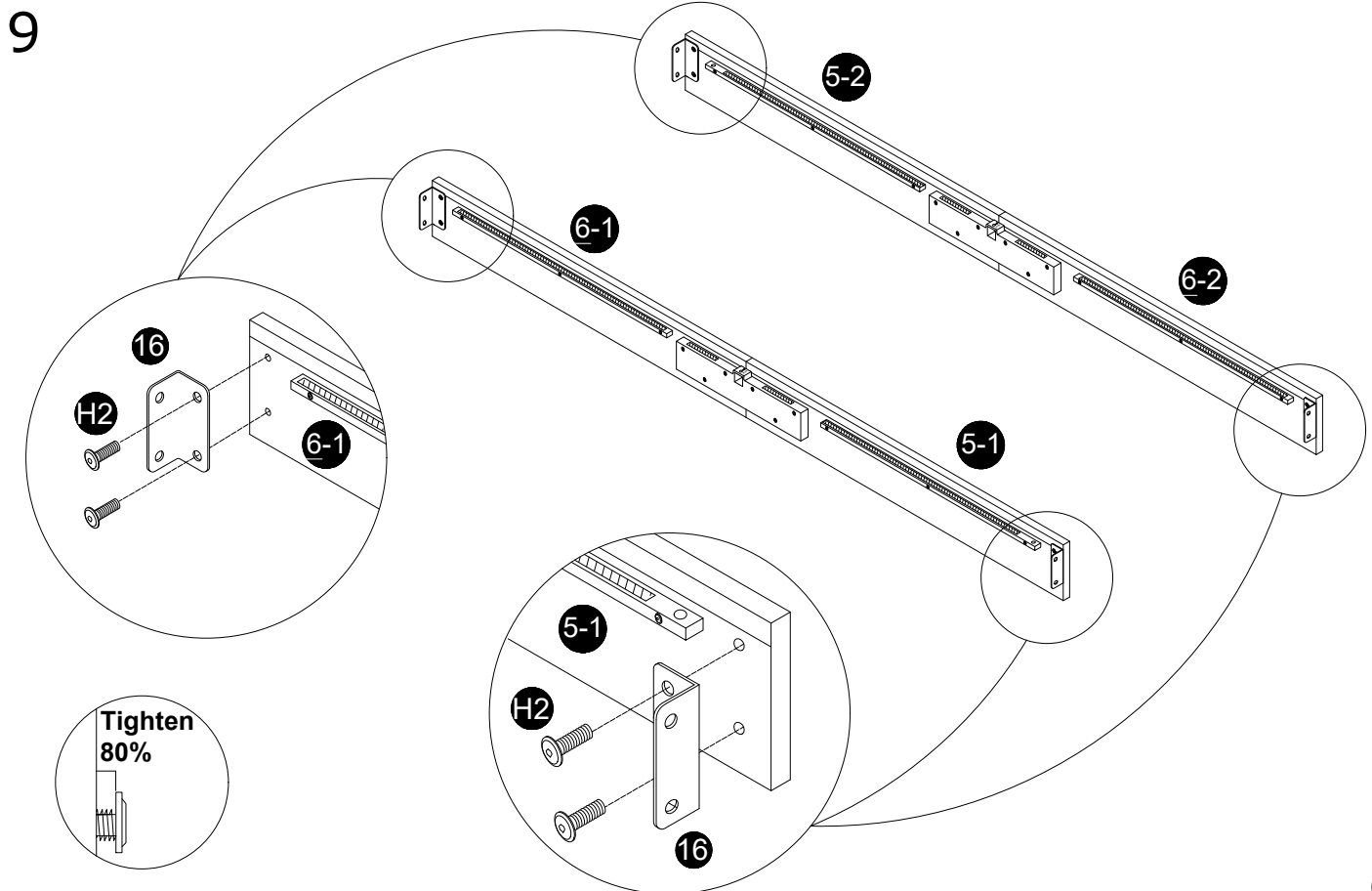
7



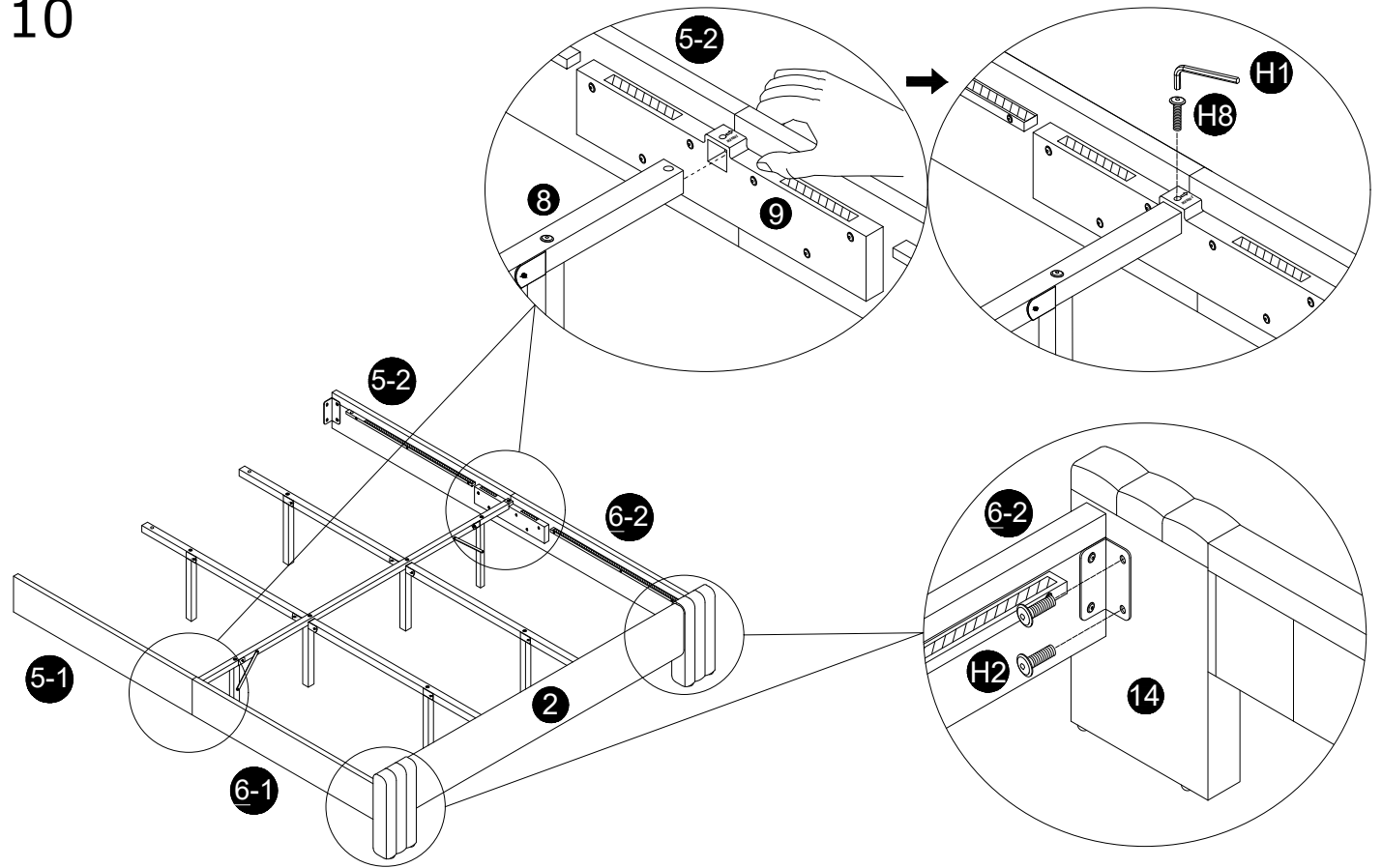
# 8 Important: part 9 , following the "INNER"



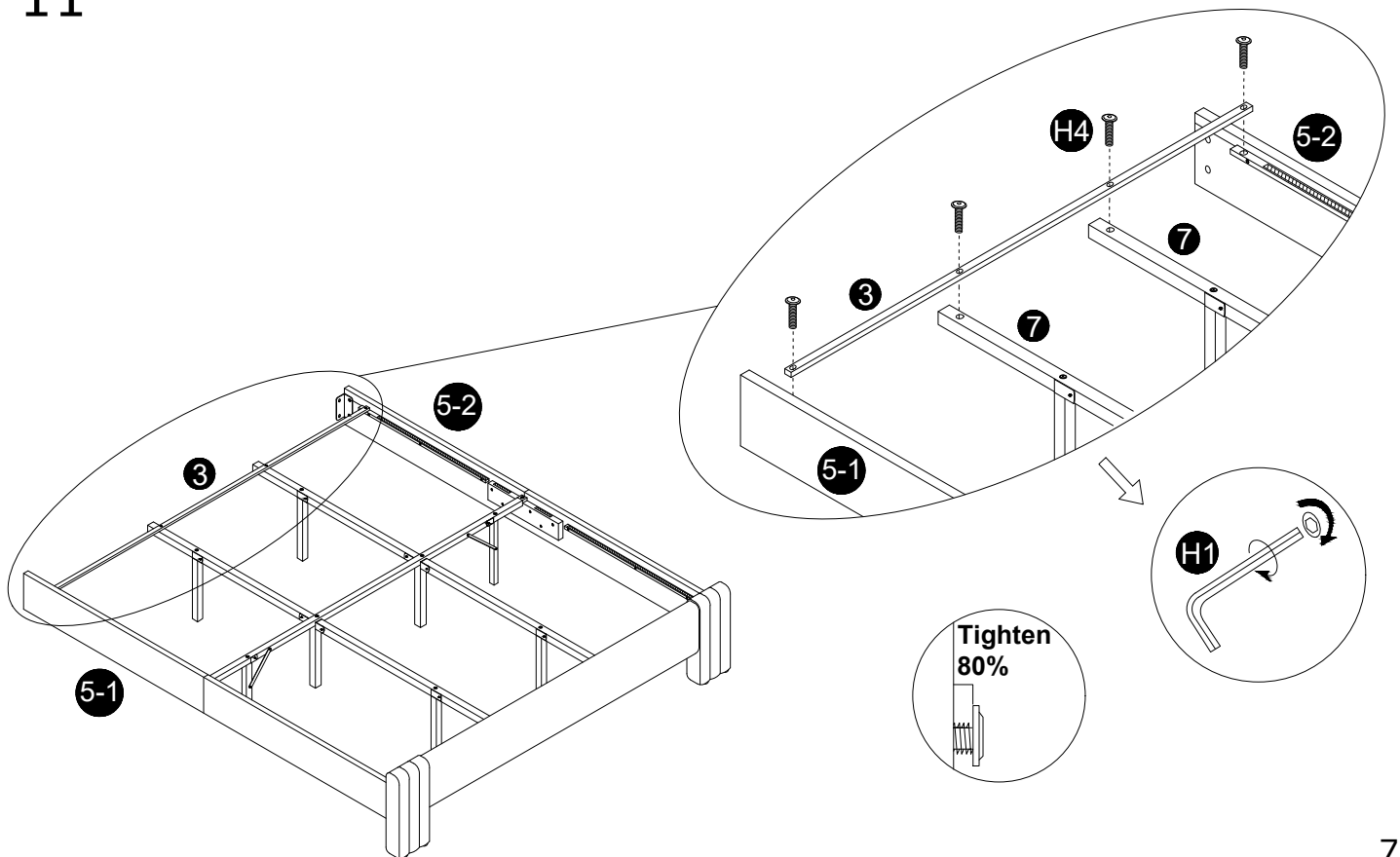
As shown in the diagram, align the screws with the corresponding holes and pre-fix them. Then, tighten each screw separately.



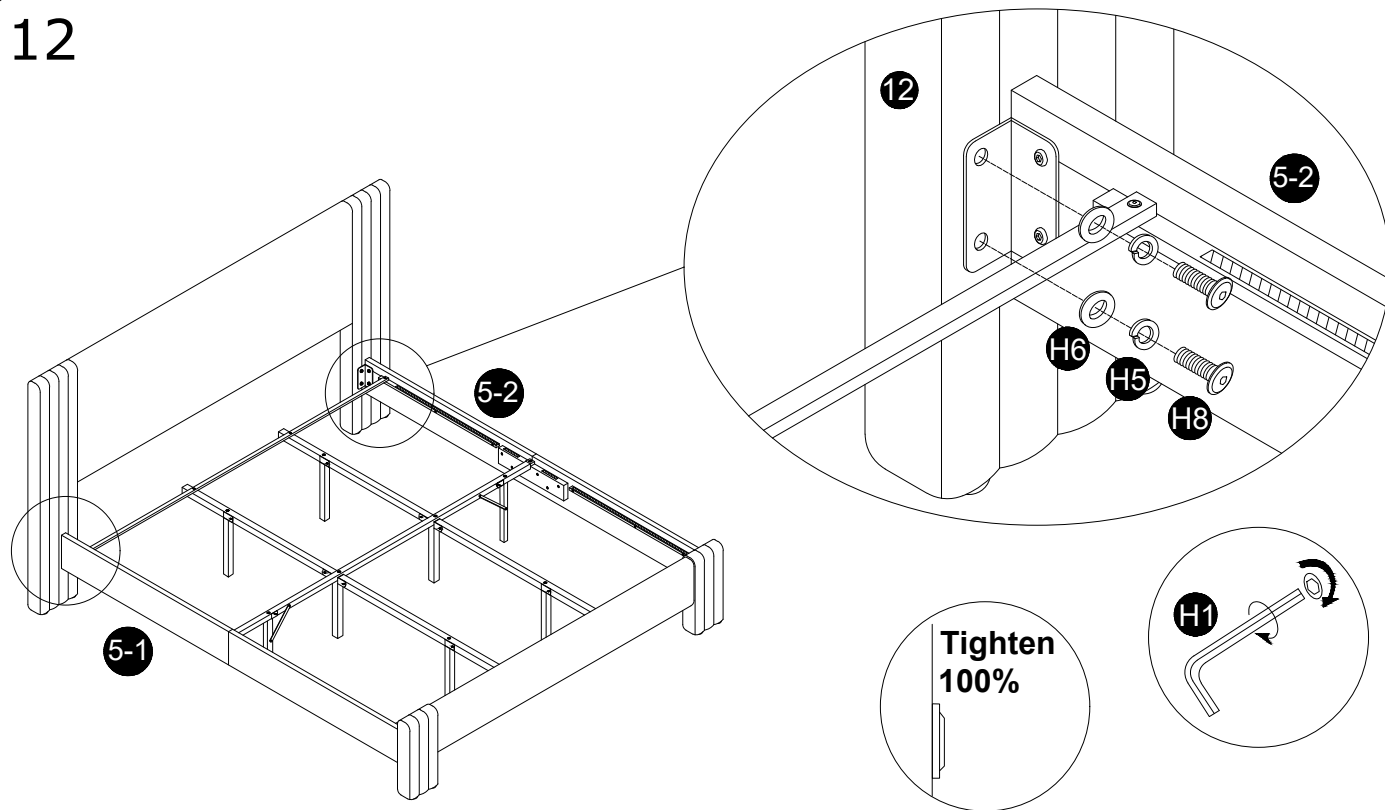
10



11



# 12



As shown in the diagram, align the screws with the corresponding holes and pre-fix them. Then, tighten all screws from step 9 to step 13.

# 13

