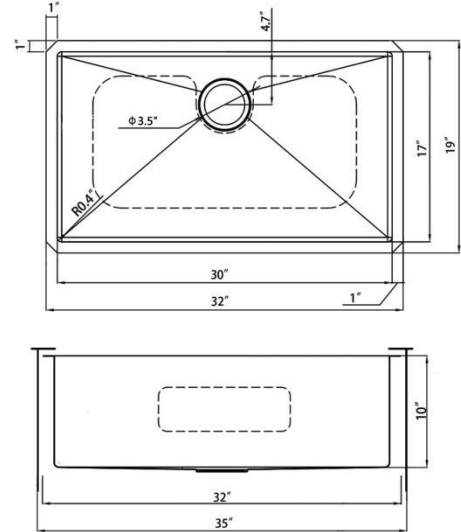


### Sinber Black Kitchen Sink Introduction

HU3219S-16G-B



Minimum Base Cabinet: 35 inches  
Sink Net Weight: 21.4 lbs

HU3219S-16G-B 32" L x 19" W Double Basin Undermount Black Kitchen Sink			
<b>Installation Type</b>	Undermount	<b>Sink Shape</b>	Rectangular
<b>Primary Material</b>	304 Stainless Steel	<b>Stainless Steel Gauge</b>	16
<b>Resistance Type</b>	Scratch; Stain; Rust; Heat; Fade	<b>Sound Dampening</b>	Yes
<b>Finish</b>	Gray	<b>Craftsmanship Type</b>	Handmade
<b>Number of Basins</b>	2	<b>Overall Dimensions</b>	32" L x 19" W x 10" H
<b>Basin</b>	17" W x 30" L x 10" D	<b>Drain Placement</b>	Center
<b>Number of Faucet Holes</b>	0	<b>Supplier Intended and Approved Use</b>	Residential Use; Non Residential Use
<b>cUPC Certificates</b>	Yes	<b>Warranty</b>	Lifetime Limited
<b>Installation Required</b>	Yes	<b>Cut Out Template Included</b>	Yes
<b>Package Includes: Undermount sink, mounting hardware and cut-out template.</b>			