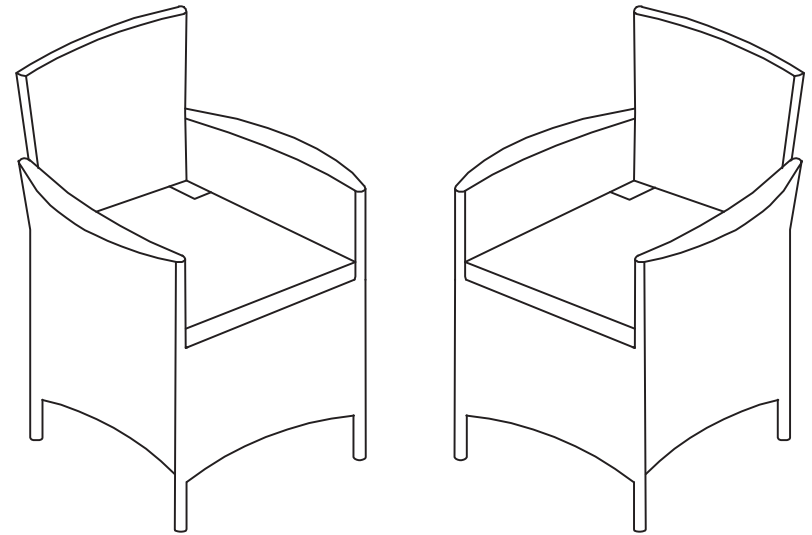


**Instruction manual**  
**STACKABLE CHAIRS X2**



## ⚠ SAFETY AND CARE ADVICE ⚠

PLEASE READ THESE INSTRUCTIONS CAREFULLY AND KEEP FOR FUTURE REFERENCE

- **Warning:** Please lift with care.
- Check you have all the components and tools listed on pages 2
- Remove all fittings from the plastic bags and separate them into their groups.
- Keep children and animals away from the work area, small parts could choke if swallowed.
- Make sure you have enough space to lay out the parts before starting.
- Do not stand or put weight on the product, this could cause damage.
- Assemble the item as close to its final position (in the same room) as possible.



- Assemble on a soft level surface to avoid damaging the unit or your floor (use opened unit carton).
- We do not recommend the use of power drill/drivers **for inserting screws**, as this could damage the unit. Only use hand screwdrivers.
- Dispose of all packaging carefully and responsibly.

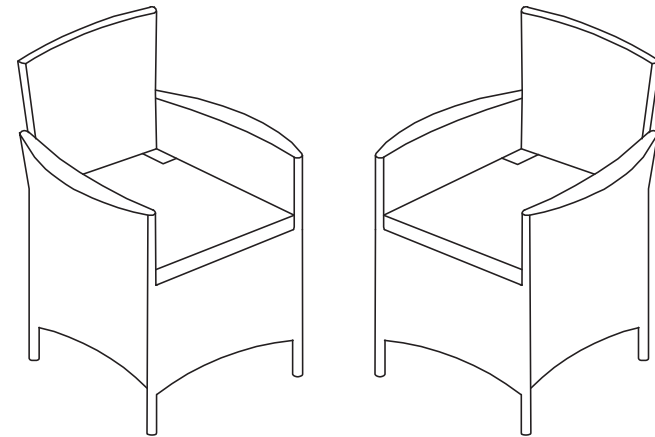
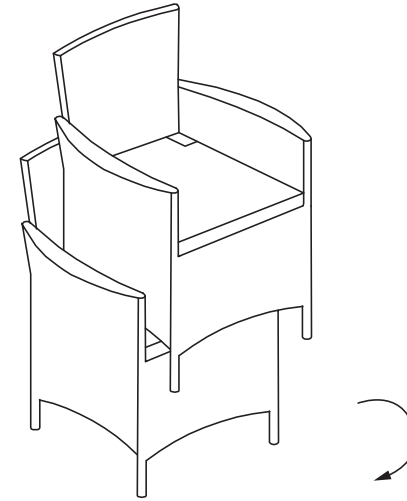
## CARE AND MAINTENANCE

- Only clean using a damp cloth and mild detergent, do not use bleach or abrasive cleaners.
- From time to time check that there are no loose screws on this unit.

- This product should not be discarded with household waste. Take to your local authority waste disposal center.

**Note** If required the next page can be cut out and used as reference throughout the assembly. Keep this page with these instructions for future reference.

## ASSEMBLY INSTRUCTIONS



Congratulations! Now you have finished assembling the product.

## IF YOU FIND A DEFECTIVE PART

---

We fully stock all parts and components. Any defective part can be quickly replaced. Take note of the defective part number in manual and we will arrange a replacement.




## CONTENTS

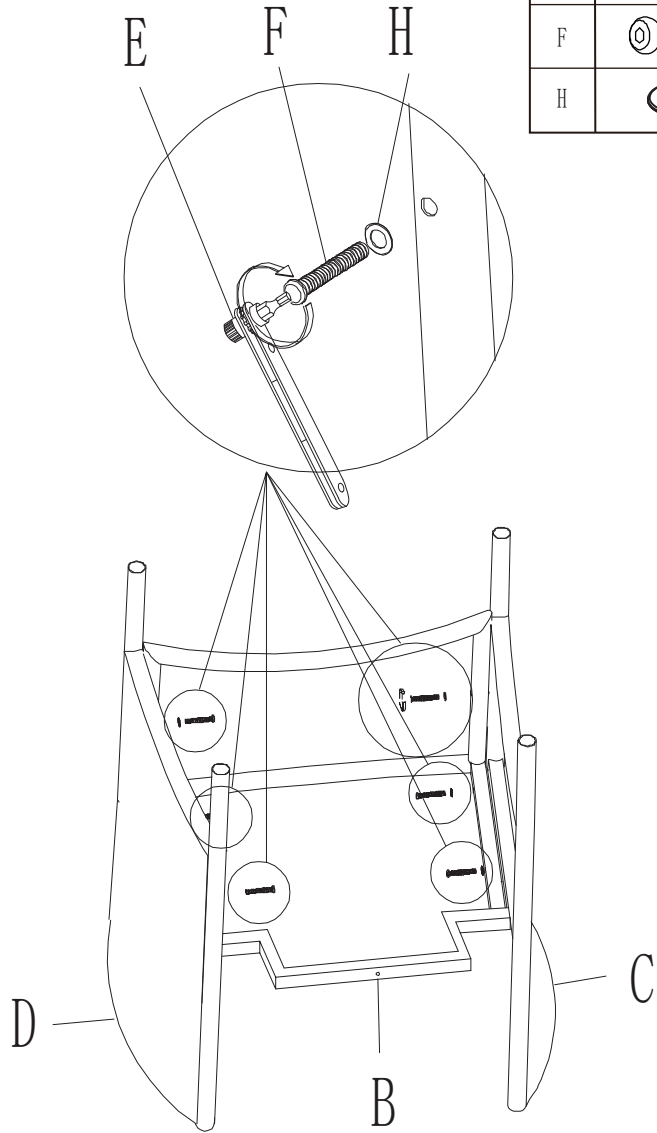
---

Safety and care advice	<b>1</b>
Components	<b>2</b>
Assembly instructions	<b>3</b>
Copyright	<b>7</b>

# ASSEMBLY INSTRUCTIONS




Step 1

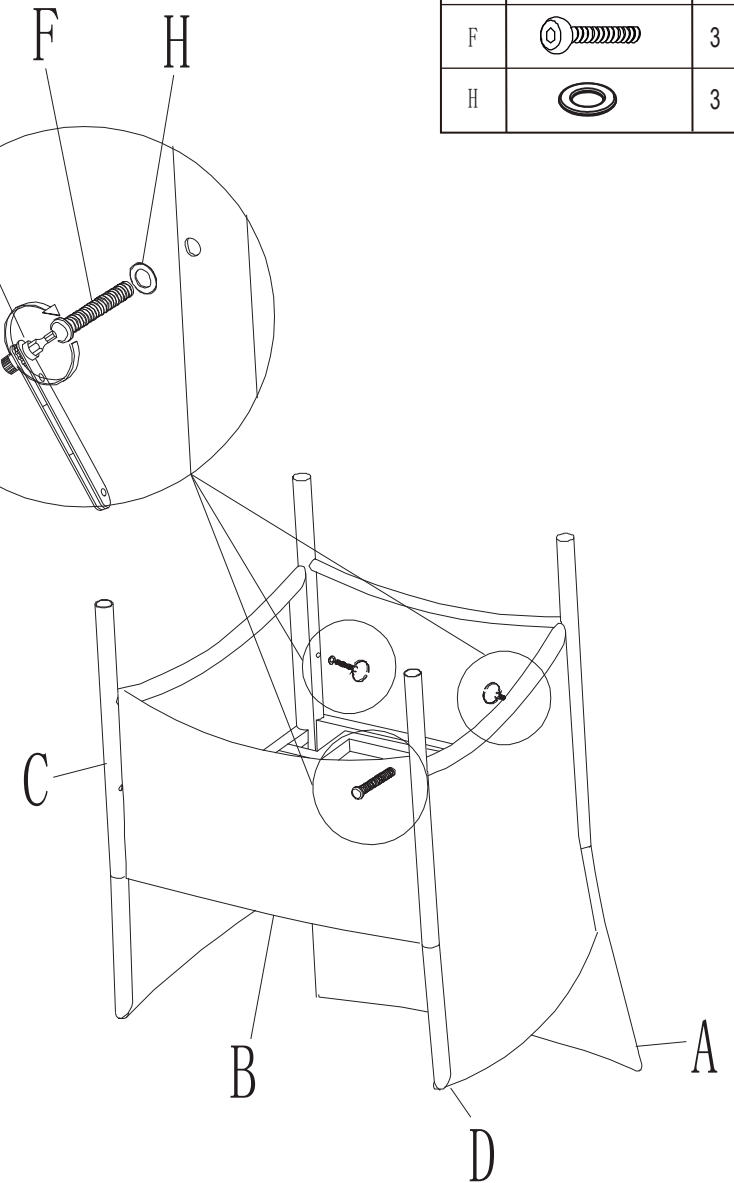
E		1
F		6
H		6



# ASSEMBLY INSTRUCTIONS

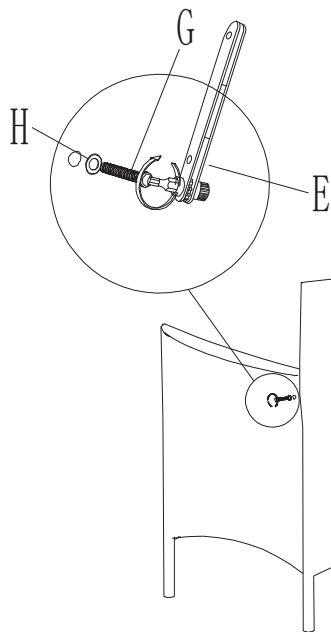
Step 2

E		1
F		3
H		3



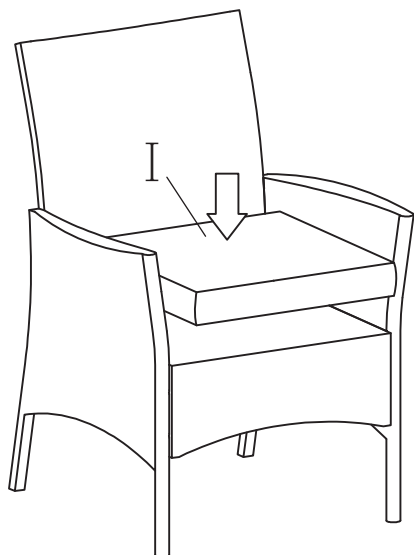
# ASSEMBLY INSTRUCTIONS

## Step 3



E		1
G		2
H		2

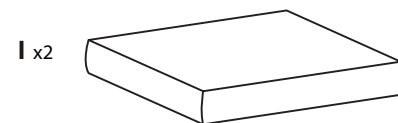
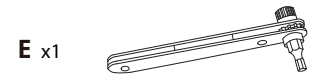
## Step 4



Repeat Steps 1 to 3 for the 2nd chair.

# COMPONENTS

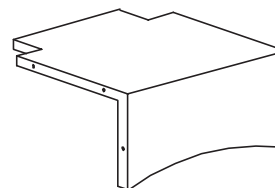
Ensure the following components are in the box before proceeding with assembly:



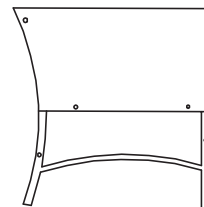
A x2



B x2



C x2



D x2

